
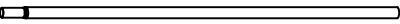
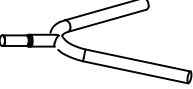





BRION NEW

A x 1	
B x 2	
C x 2	
D x 2	
E x 2	
F x 8	
G x 1	