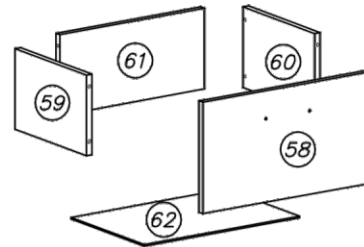
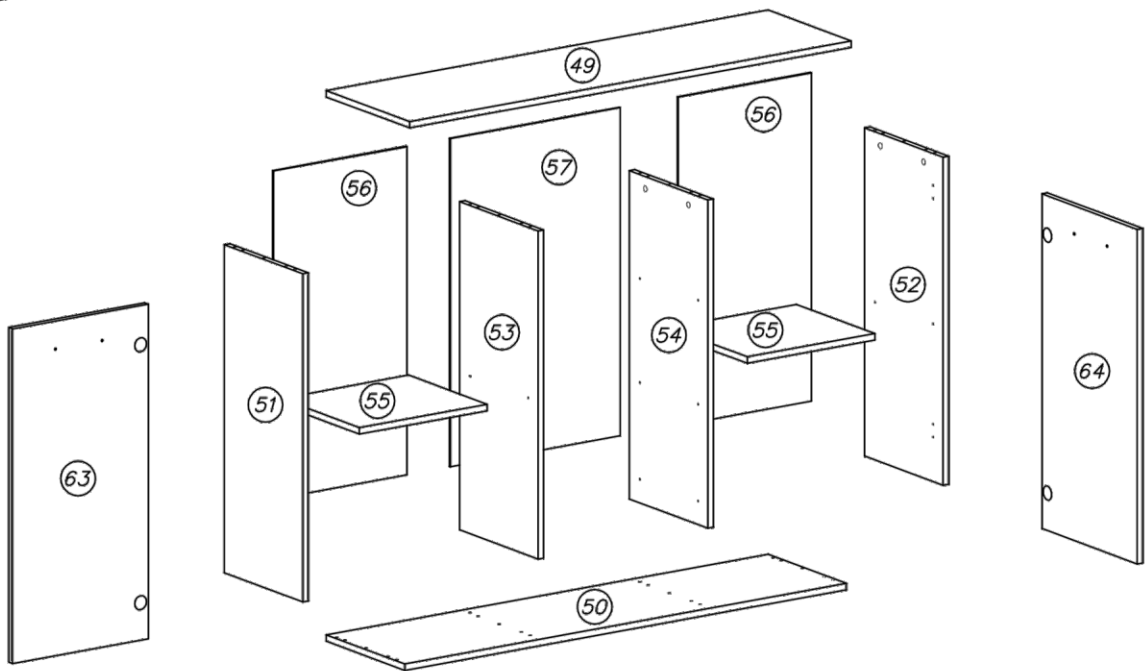
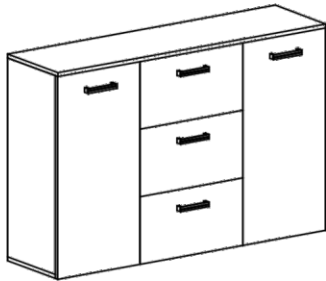
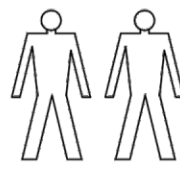
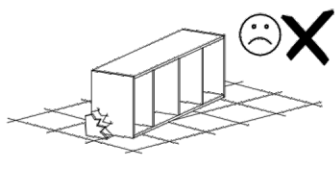
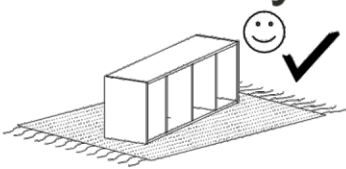
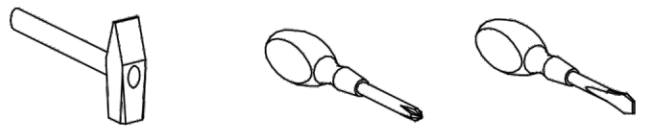


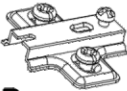
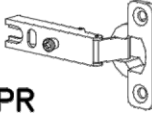

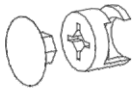




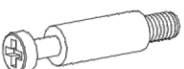



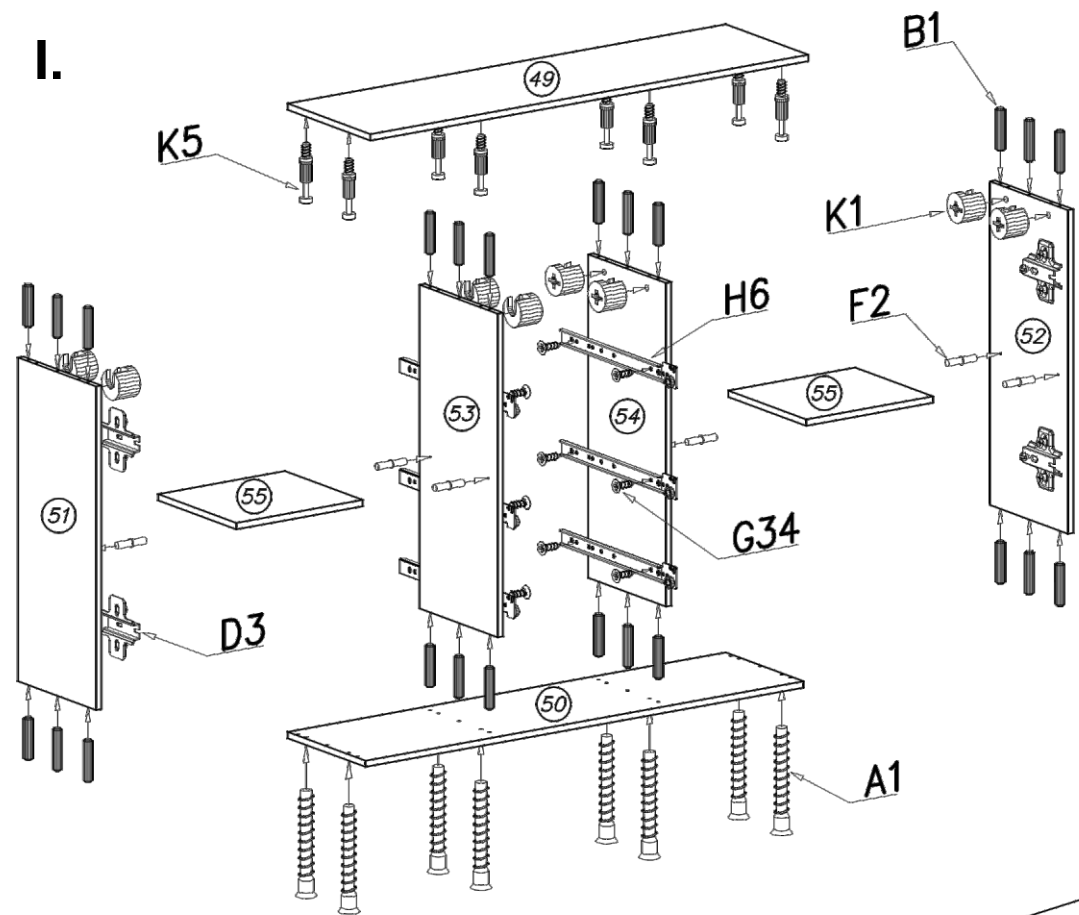


ASSOR

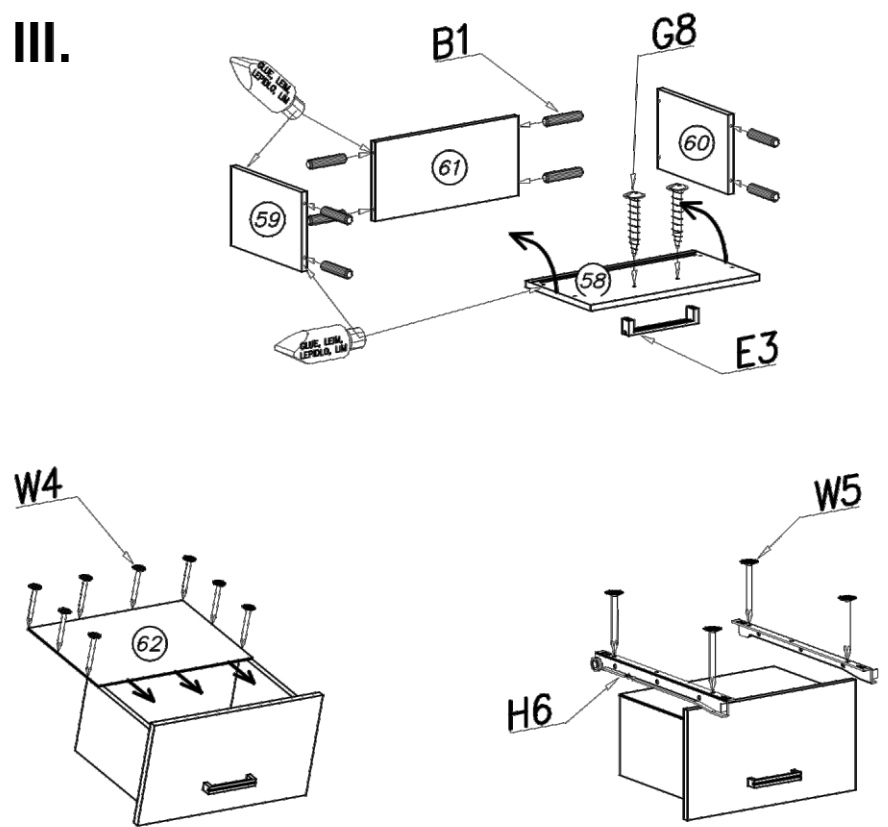


A1  $\varnothing 7 \times 50$ x8	F2  x8	D3  PZ35PR x4	C3  Z35PR x4	W5  2x20 x12
K1  $\varnothing 15 \times 12$ x8	H6  x3	B1  $\varnothing 8 \times 35$ x48	G34  3,5x16 x20	W1  GLUE, LEIM, LEPIDLO, LIM x1
K5  x8	G8  4x30 x10	W4  1,6x20 x80	E3  x5	

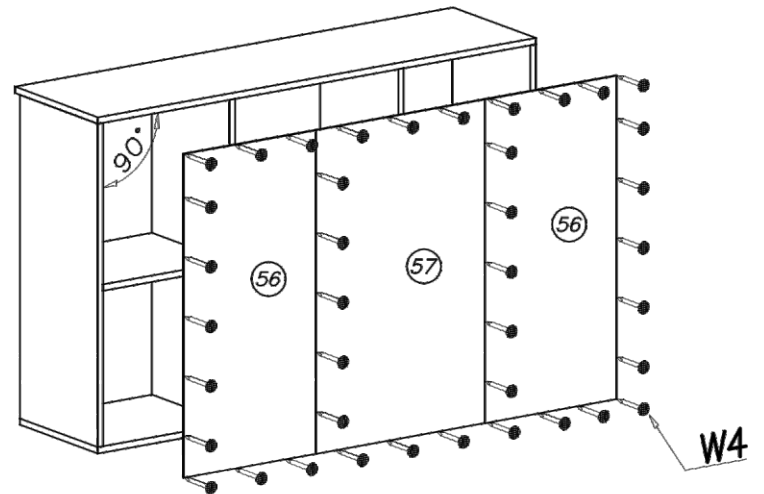
I.



III.



II.



IV.

