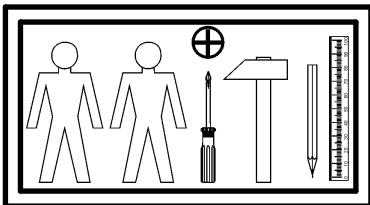
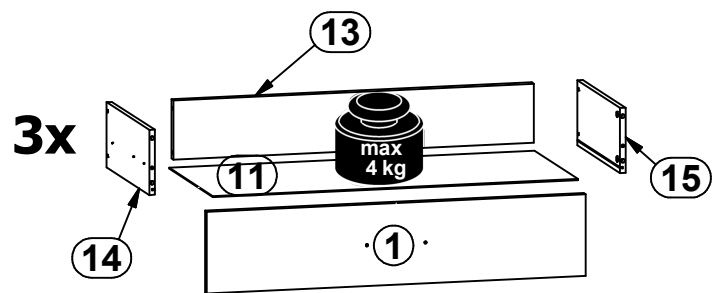
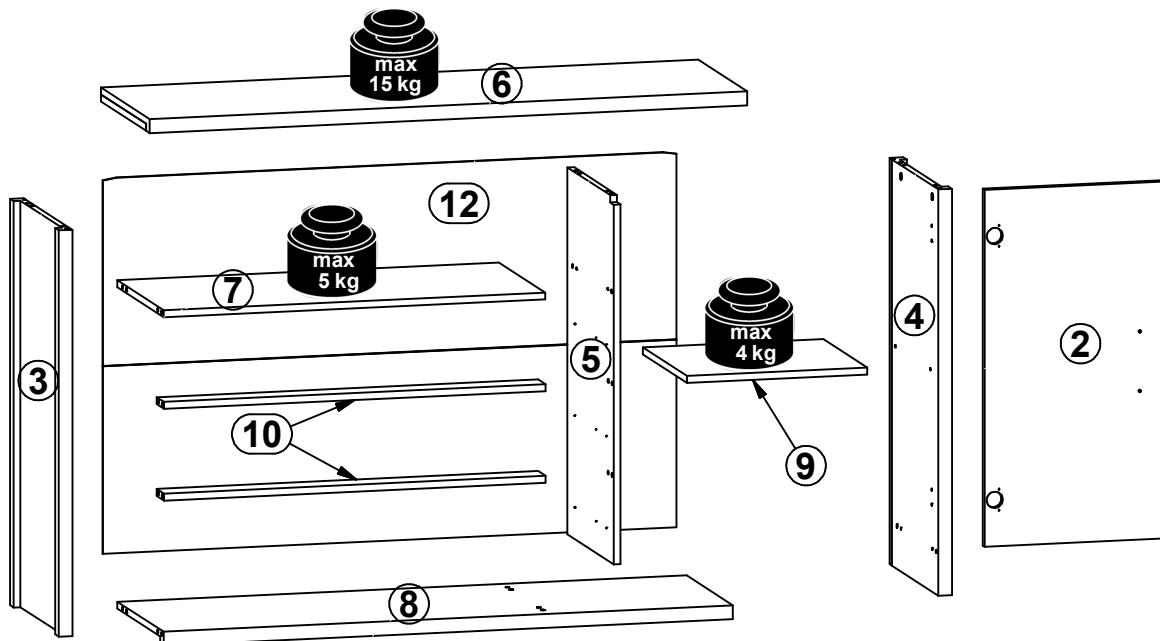
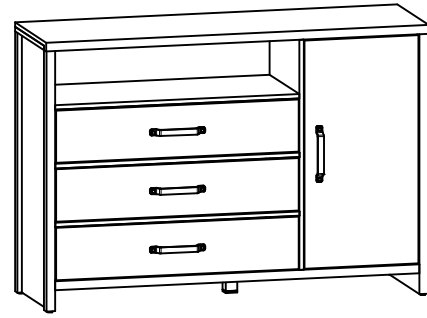
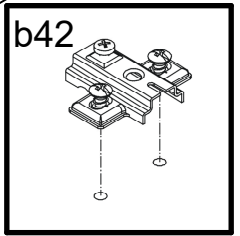
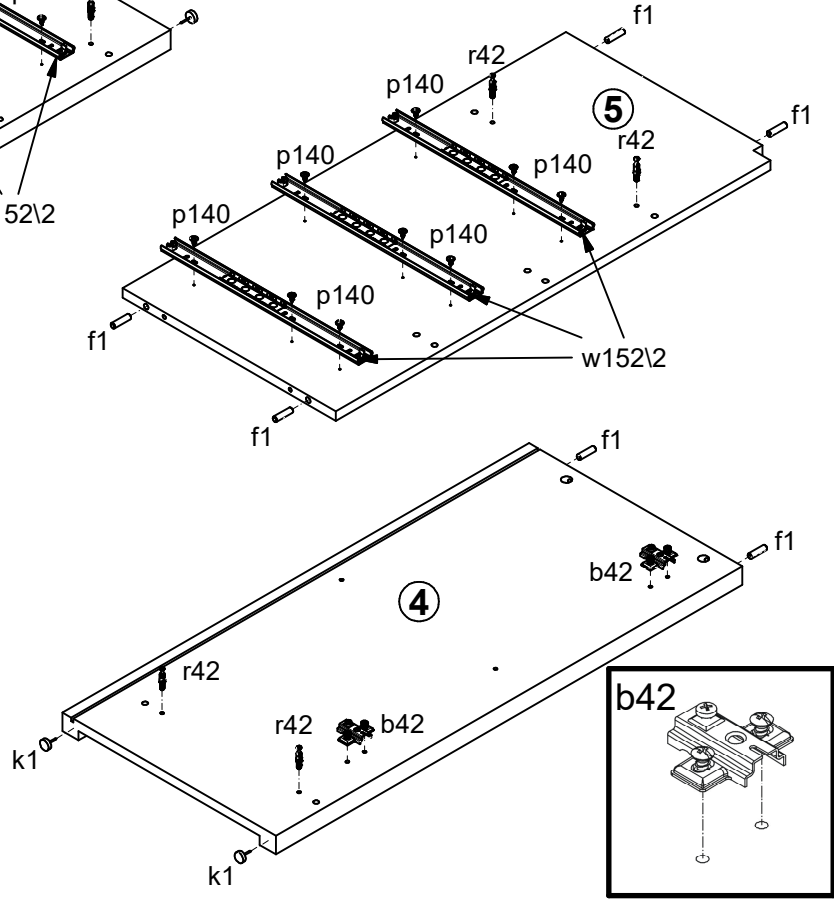
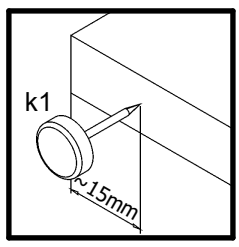
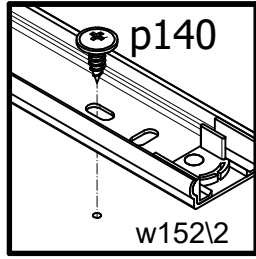
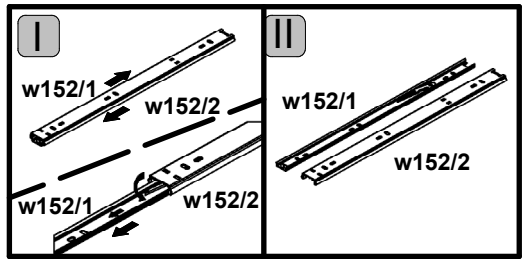
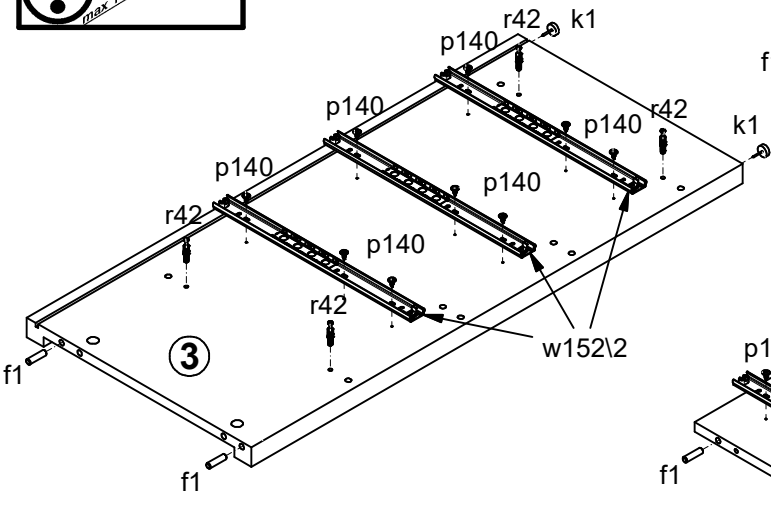
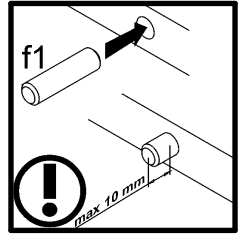
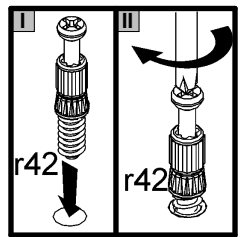
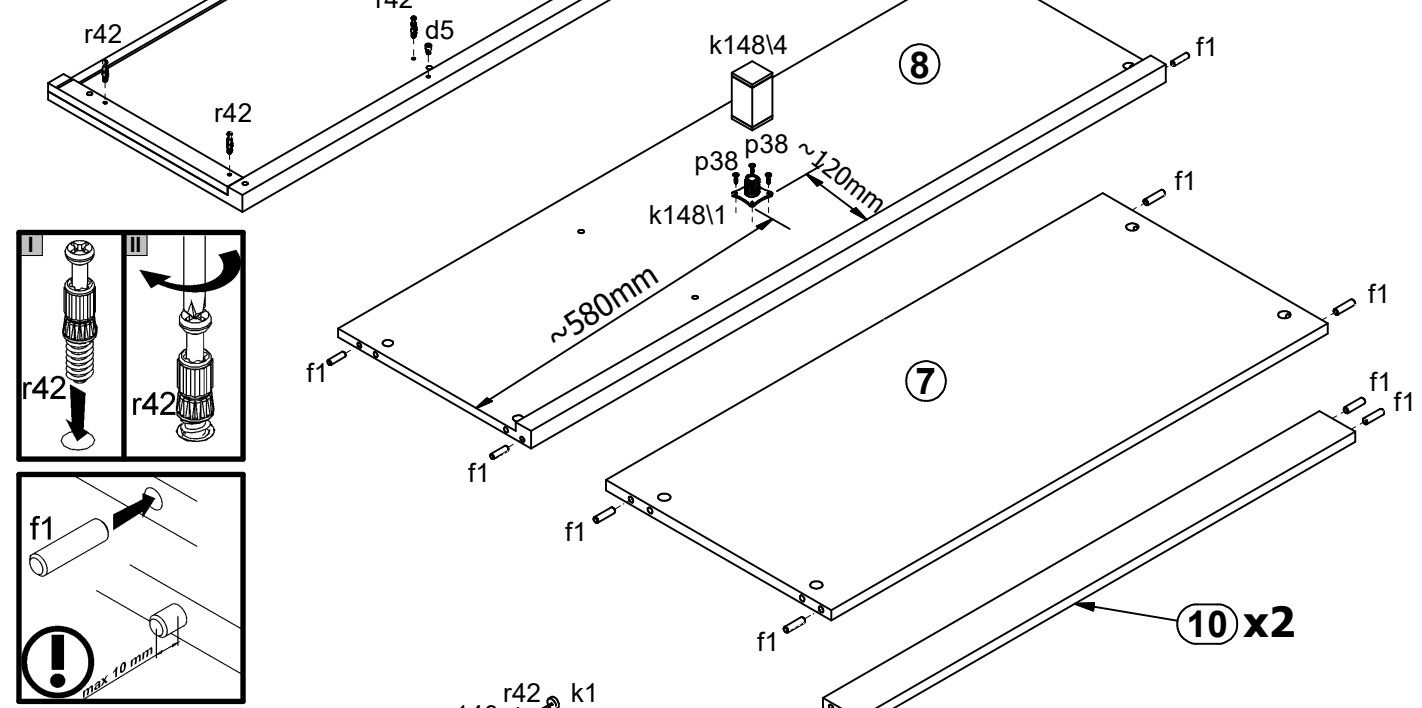
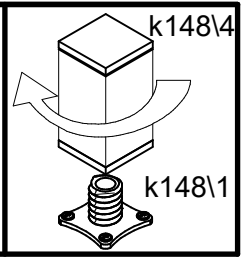
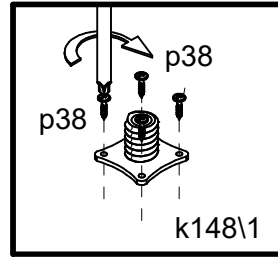
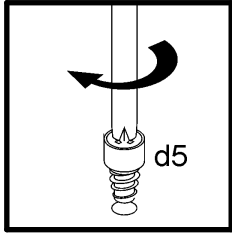


A	B	C	D	
1	S483-0005	830	176	1/2
2	S483-0006	767	390	1/2
3	S483-1011	873	399	2/2
4	S483-1014	873	399	2/2
5	S483-1015	788	379	1/2
6	S483-2005	1309	400	2/2
7	S483-3004	836	379	1/2
8	S483-3005	1247	379	2/2
9	S483-3006	395	360	2/2
10	S483-4008	836	60	1/2
11	S483-9003	800	357	1/2
12	S483-9302	807	1257	2/2
13	ZK3-5154	790	127	1/2
14	ZK3-511	350	140	2/2
15	ZK3-512	350	140	2/2

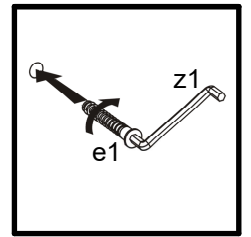
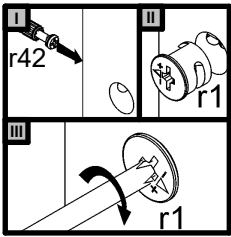
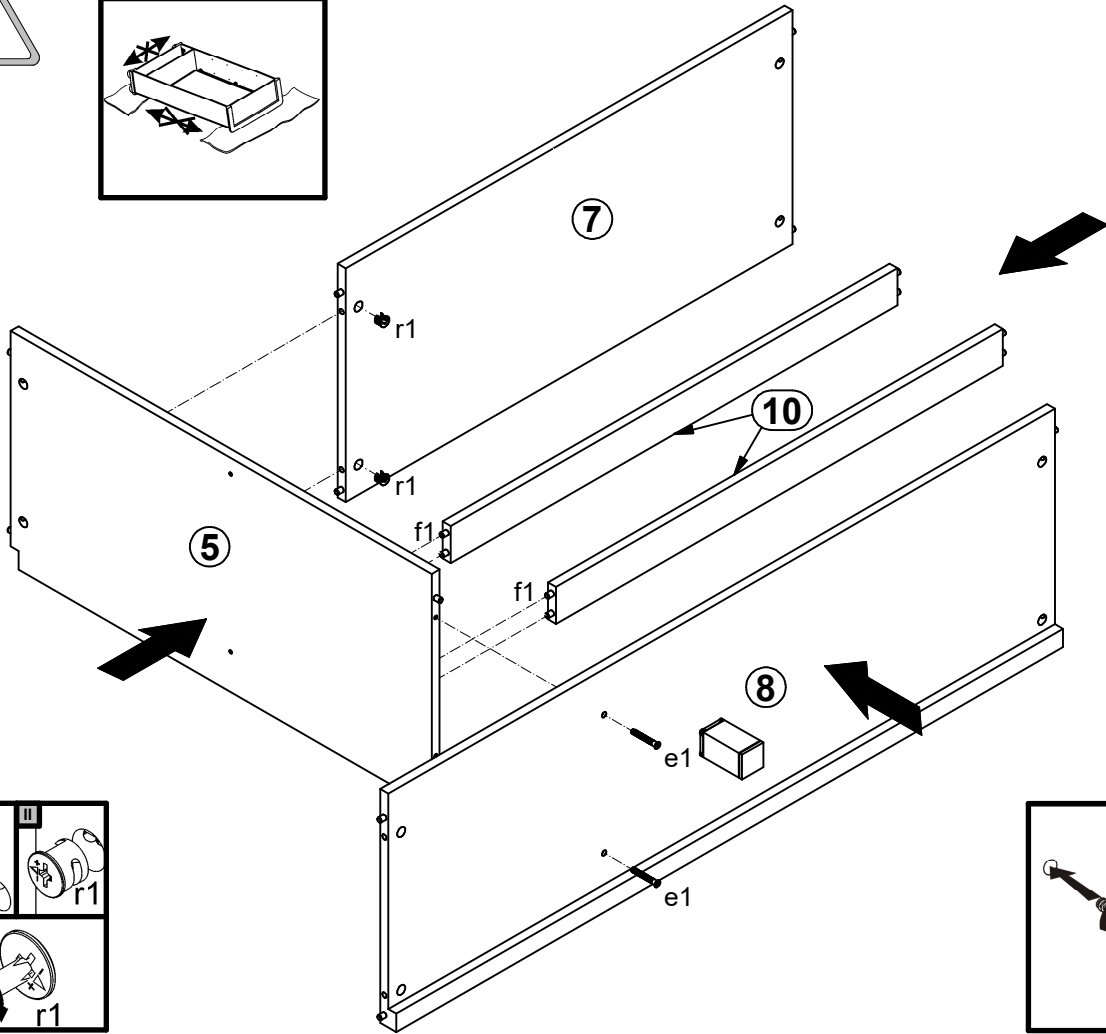
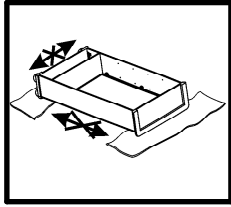


2x K18 Ø35 a172	2x b42	4x 128 mm c511\1	4x Ø5x17 mm d1	1x Ø6,3x15 mm d5	2x Ø7x50 mm e1	24x Ø8x30 mm f1	6x Ø6x30 mm f9	12x Ø6,5x40 mm f25
4x k1	1x Ø5x12 mm k148\1	1x Ø5x12 mm #16 k148\4	7x l2	3x Ø3,5x16 mm p25	3x Ø3,5x10 mm p35	22x Ø3,5x16 mm p38	4x Ø3,5x15 mm p51	10x Ø2,9x16 mm p55
8x Ø4x22 mm p60	36x Ø3,5x12 mm p140	14x Ø15x12 mm #16 r1	12x Ø12x10,5 mm #12 r15	26x 20/11 r42	3x 350 mm t35	6x 350/580 mm w152\1	6x 350/580 mm w152\2	6x Ø 20mm s68
1x 4 mm z1							1x n26	1x Ø3,5x16 mm p38

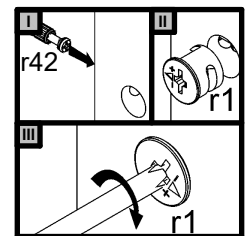
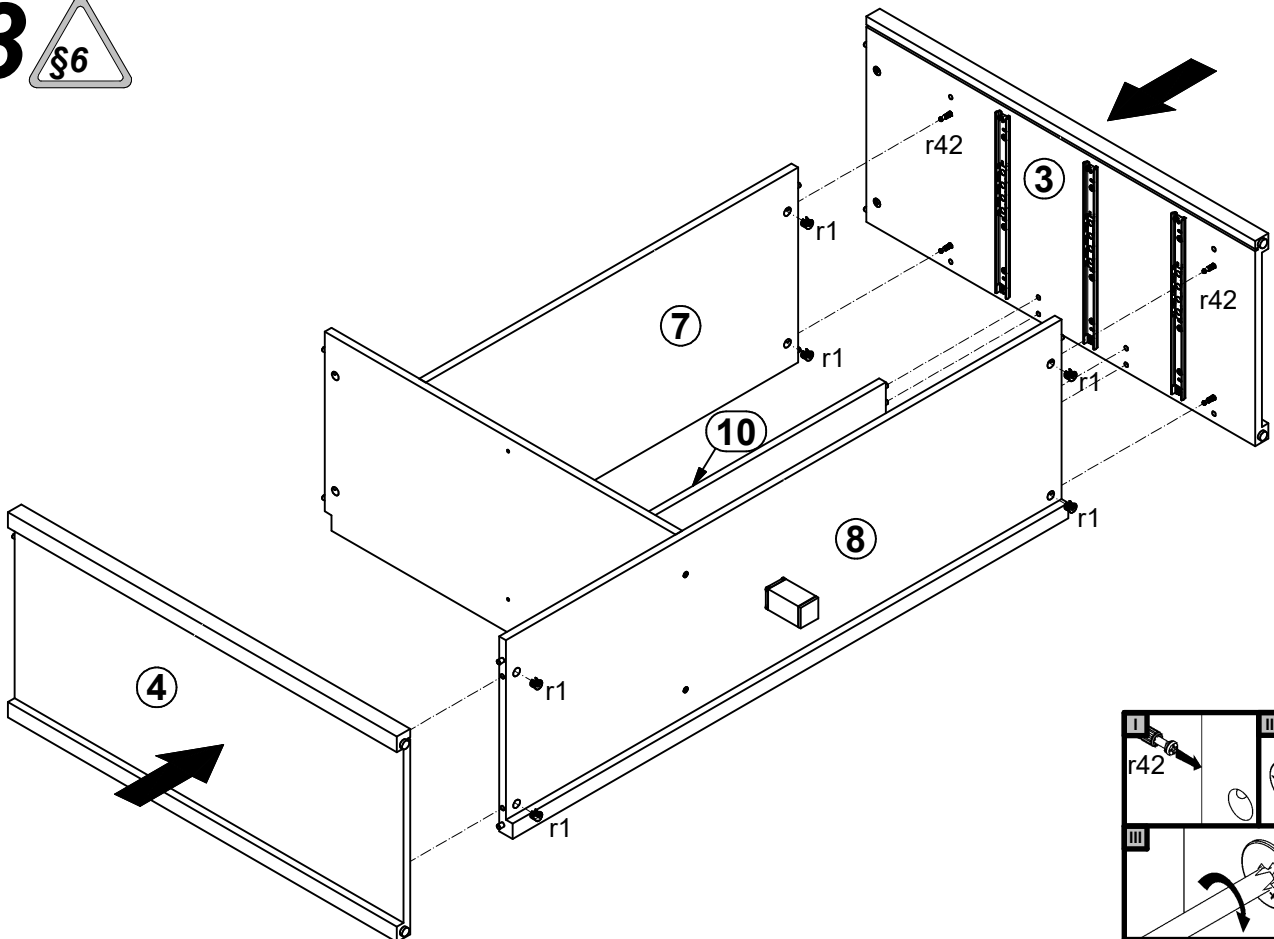
1  §2

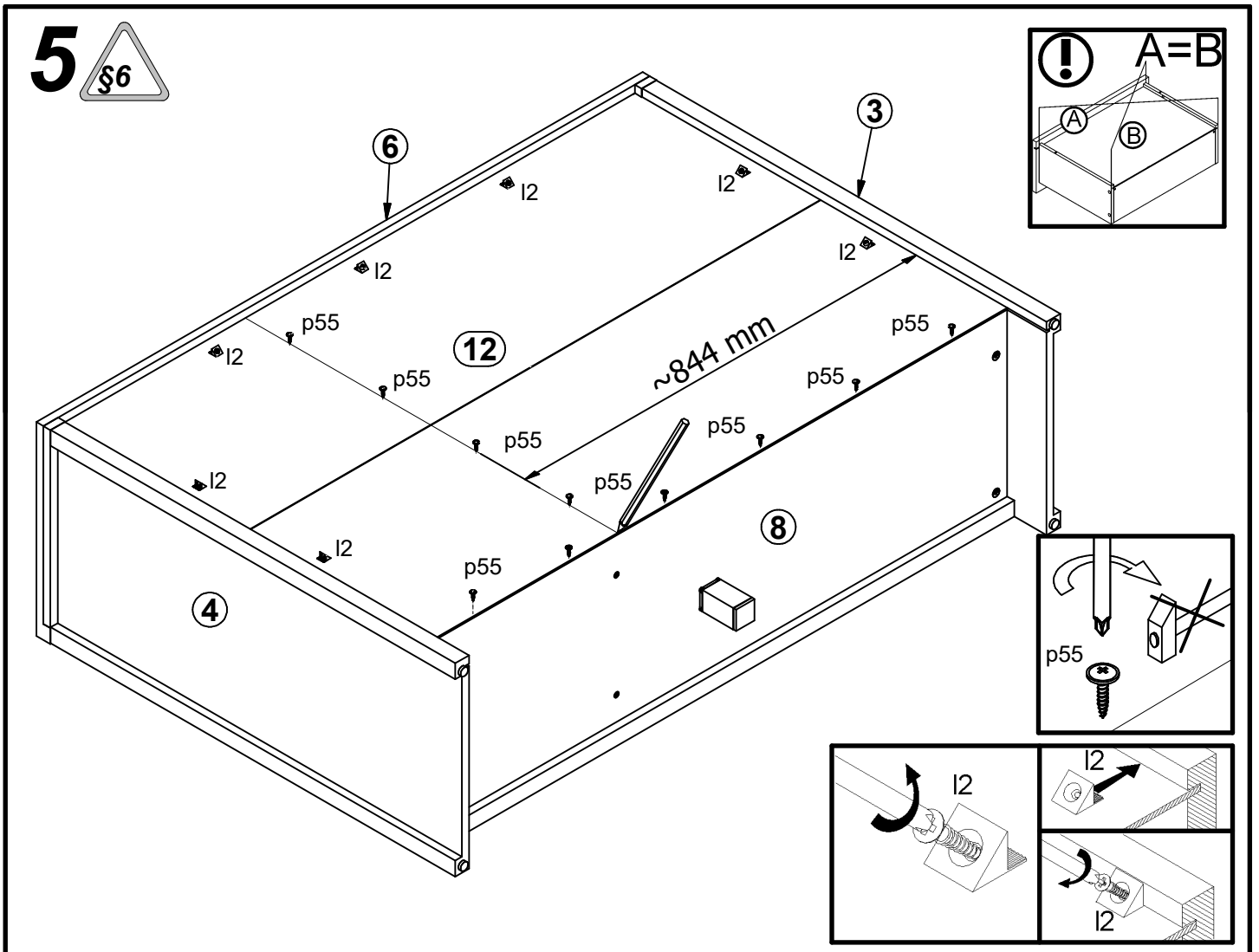
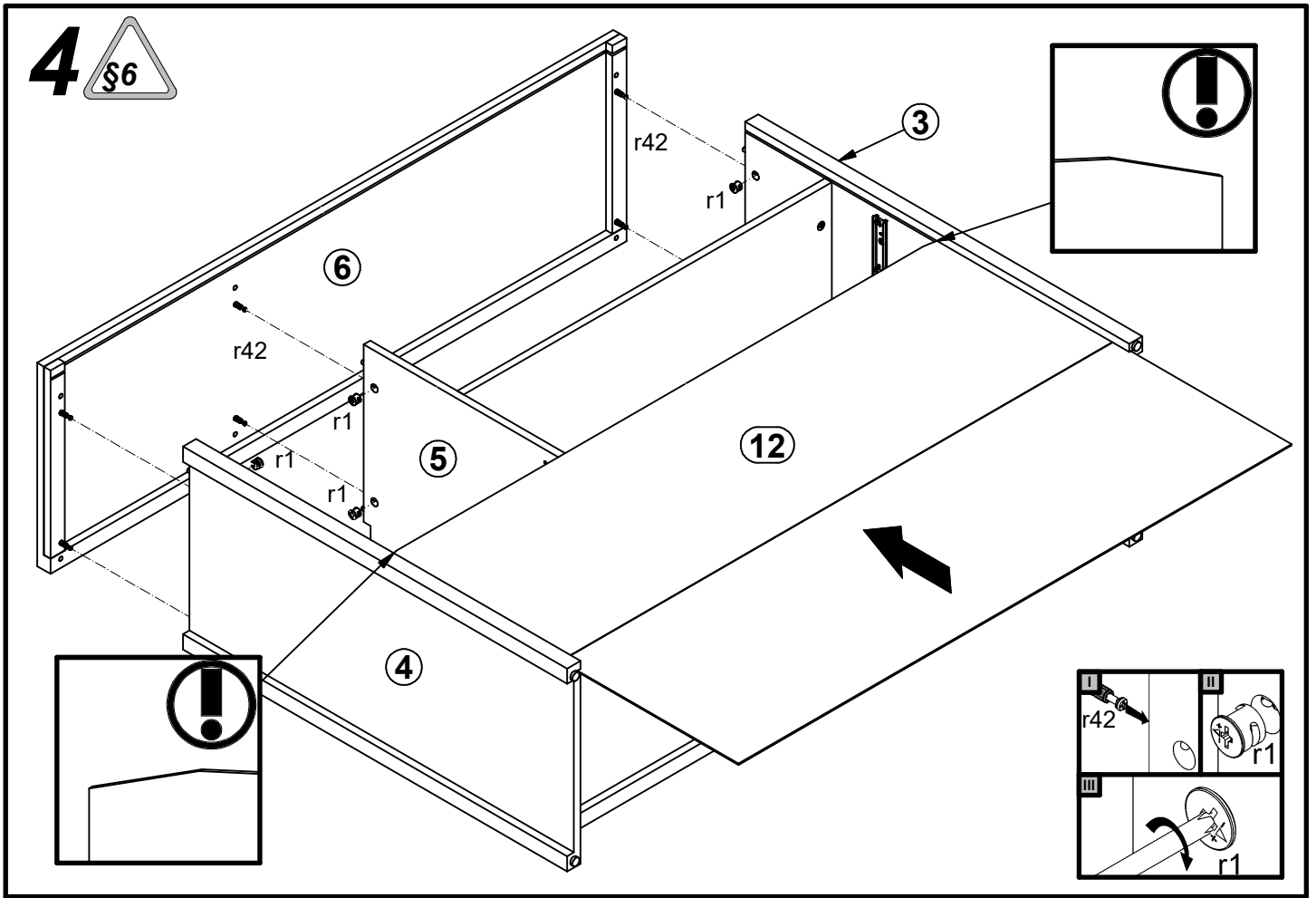


2 §6

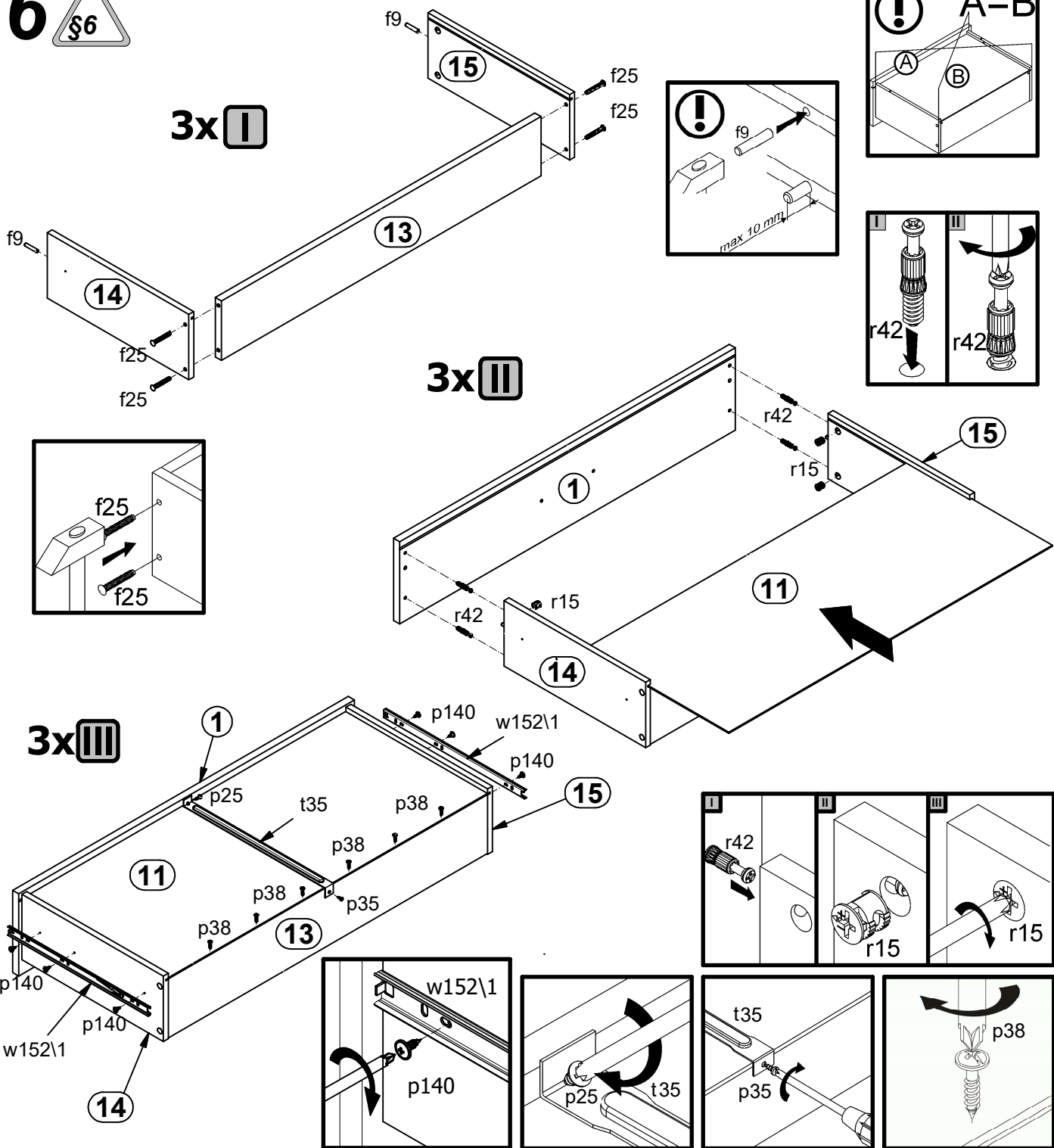


3 §6

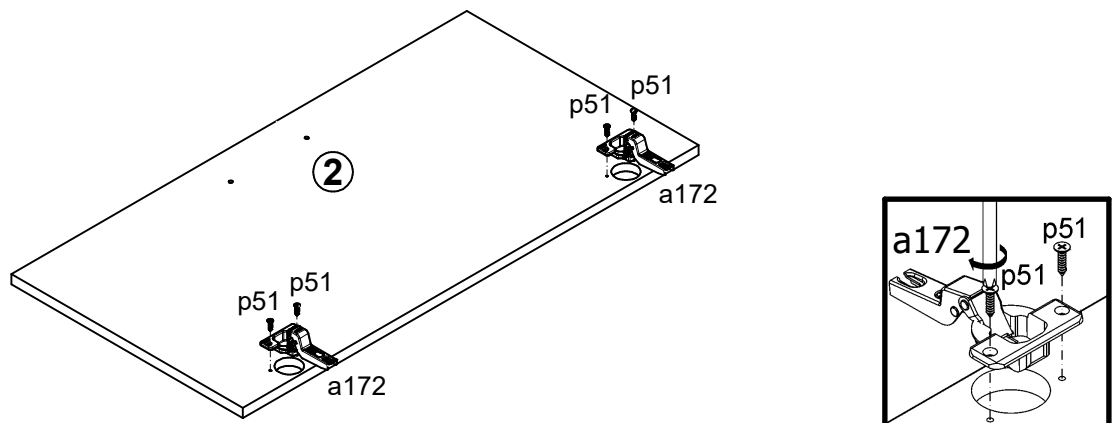




6 §6



7 §6



8 §6

