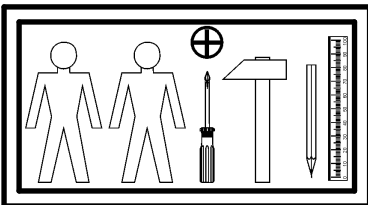
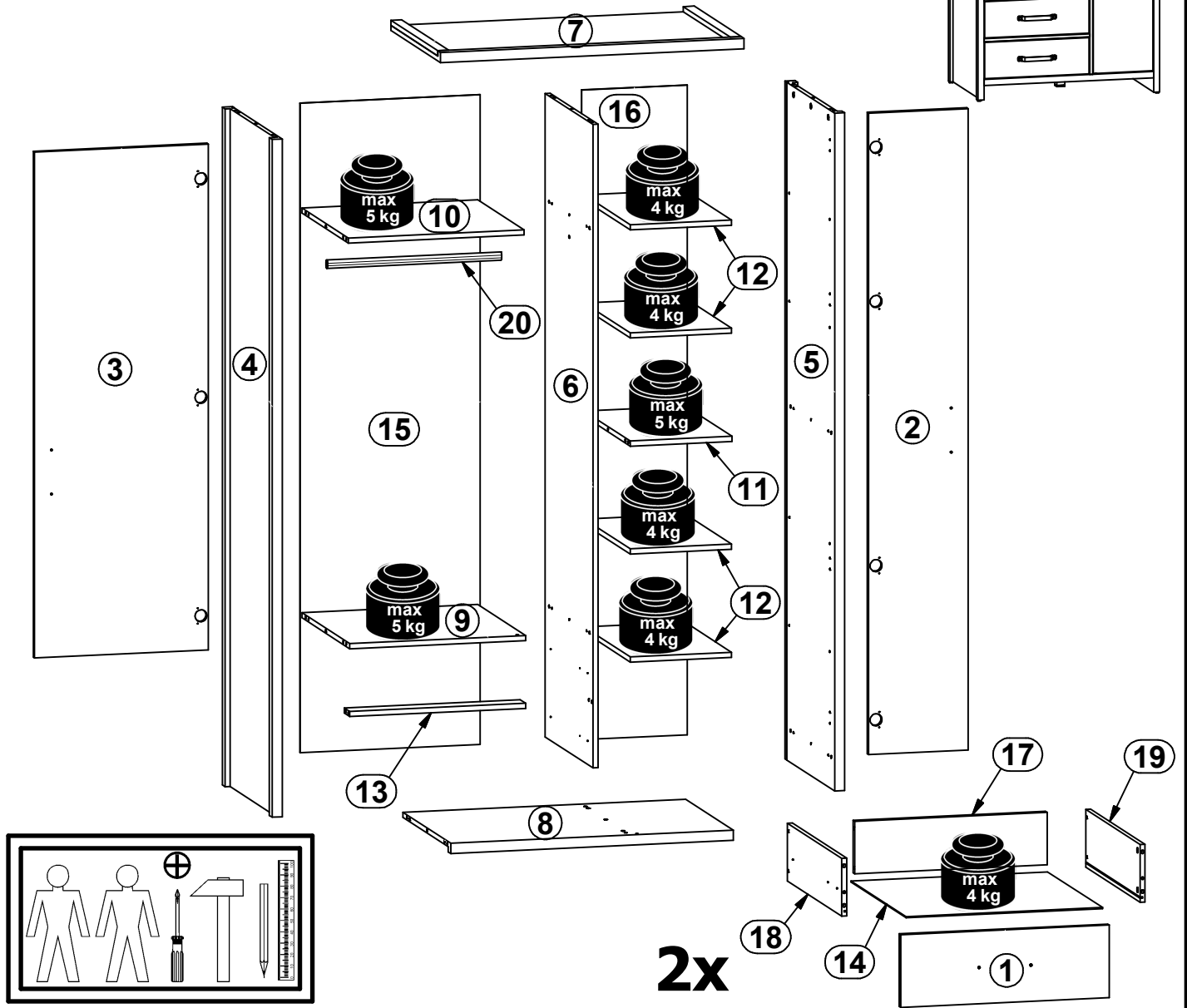
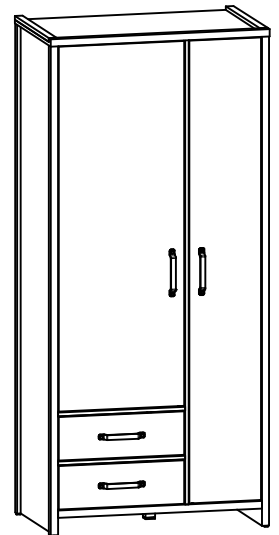
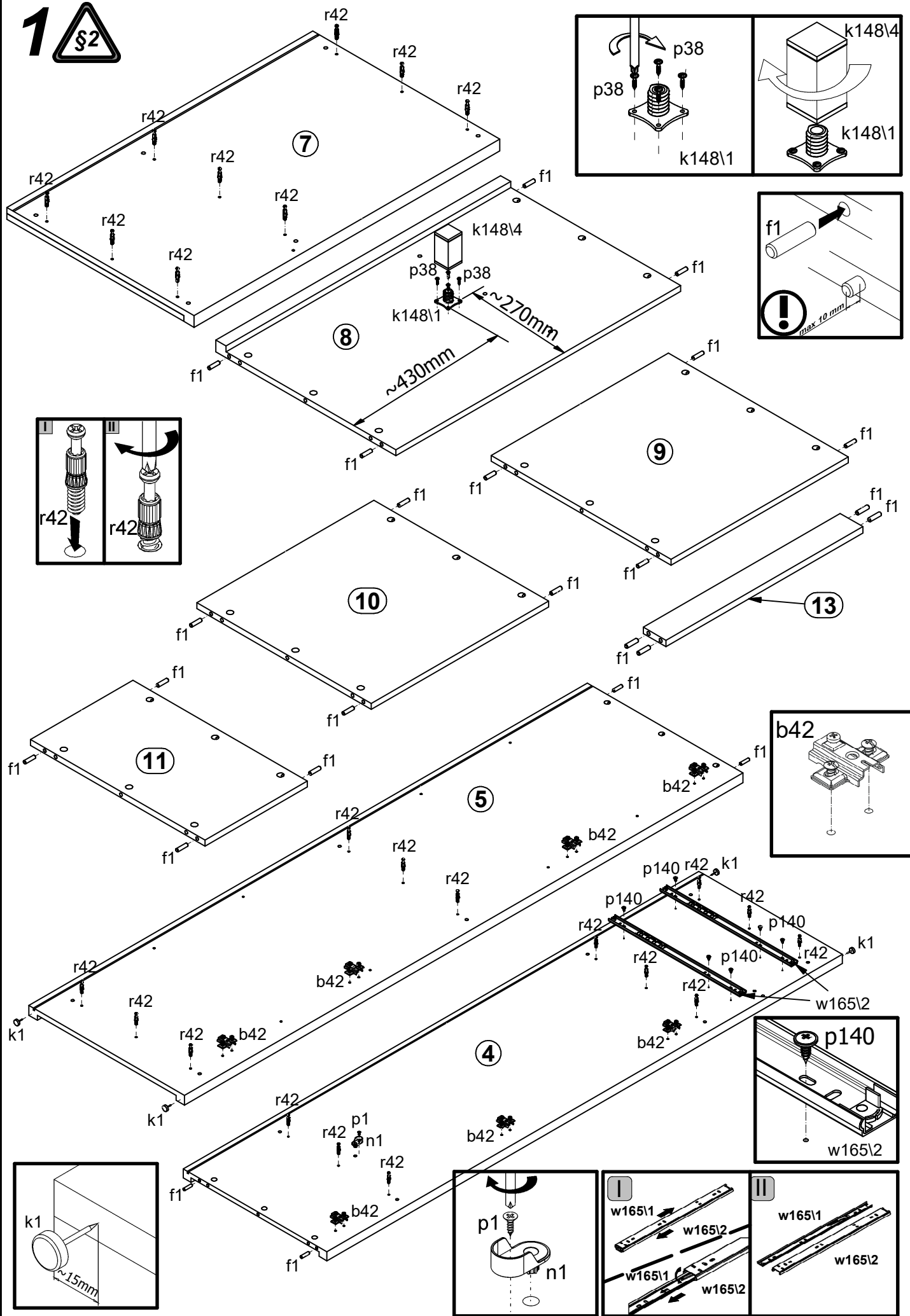


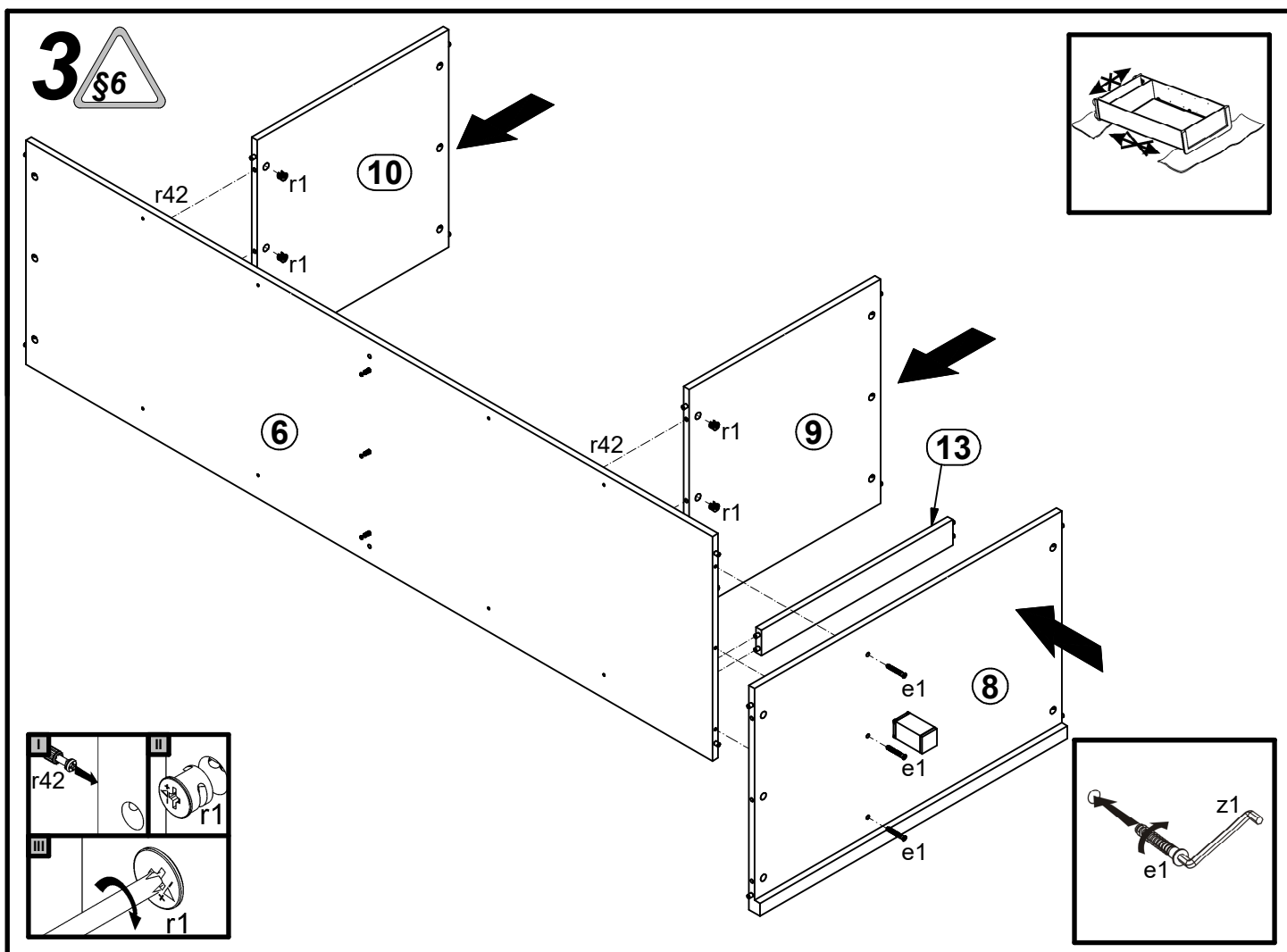
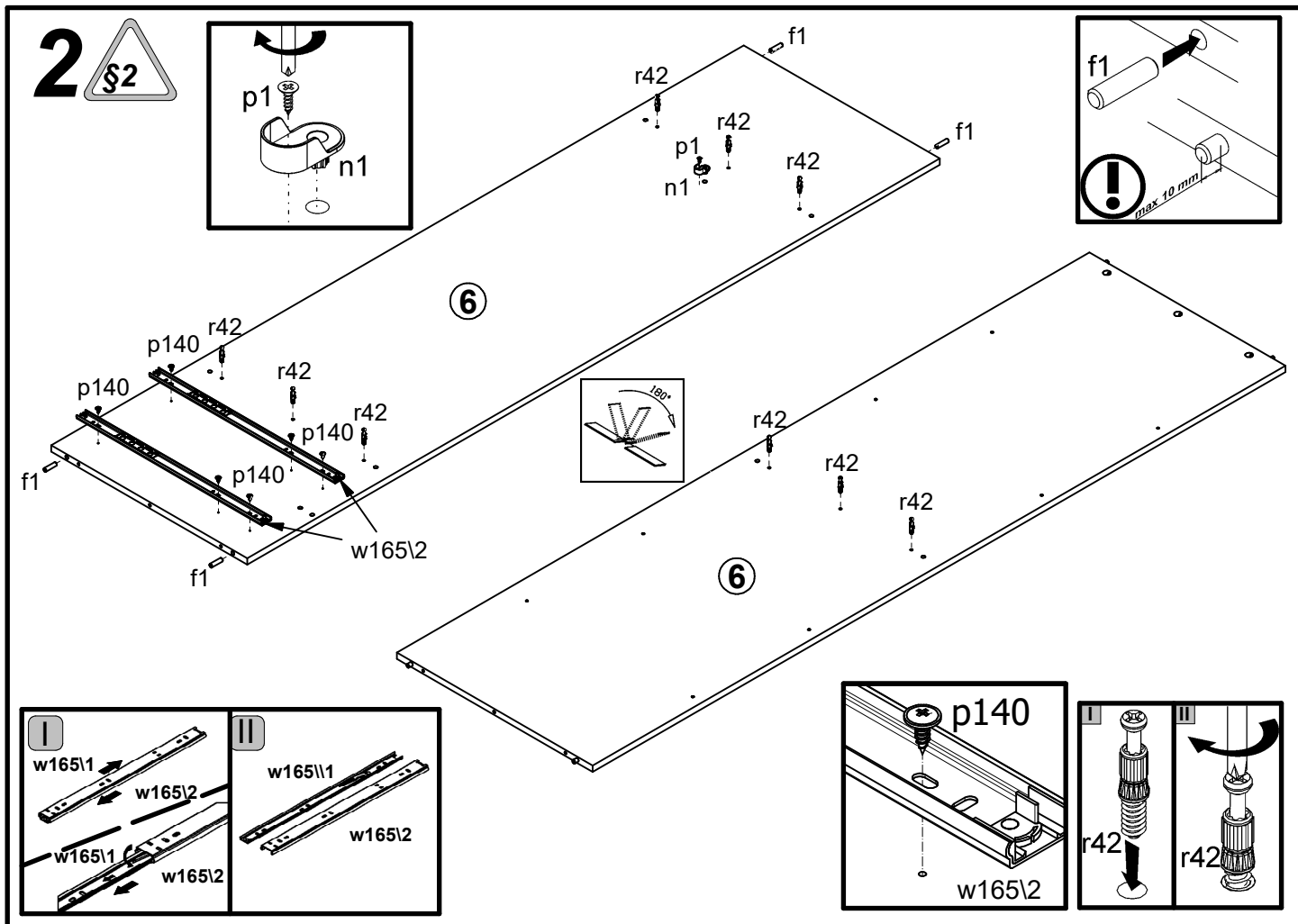
A	B	C	D	A	B	C	D		
1	S483-0016	515	176	3/3	11	S483-3026	301	513	2/3
2	S483-0017	1864	295	3/3	12	S483-3027	300	510	2/3
3	S483-0018	1470	515	3/3	13	S483-4011	521	60	2/3
4	S483-1026	1970	549	1/3	14	S483-9008	485	507	2/3
5	S483-1027	1970	549	1/3	15	S483-9009	1888	533	1/3
6	S483-1028	1870	529	3/3	16	S483-9010	1888	313	1/3
7	S483-2009	899	550	2/3	17	ZK3-5150	475	127	2/3
8	S483-3023	837	529	2/3	18	ZK3-515	500	140	2/3
9	S483-3024	521	529	2/3	19	ZK3-516	500	140	2/3
10	S483-3025	521	513	2/3	20	dr-516	516	22	2/3

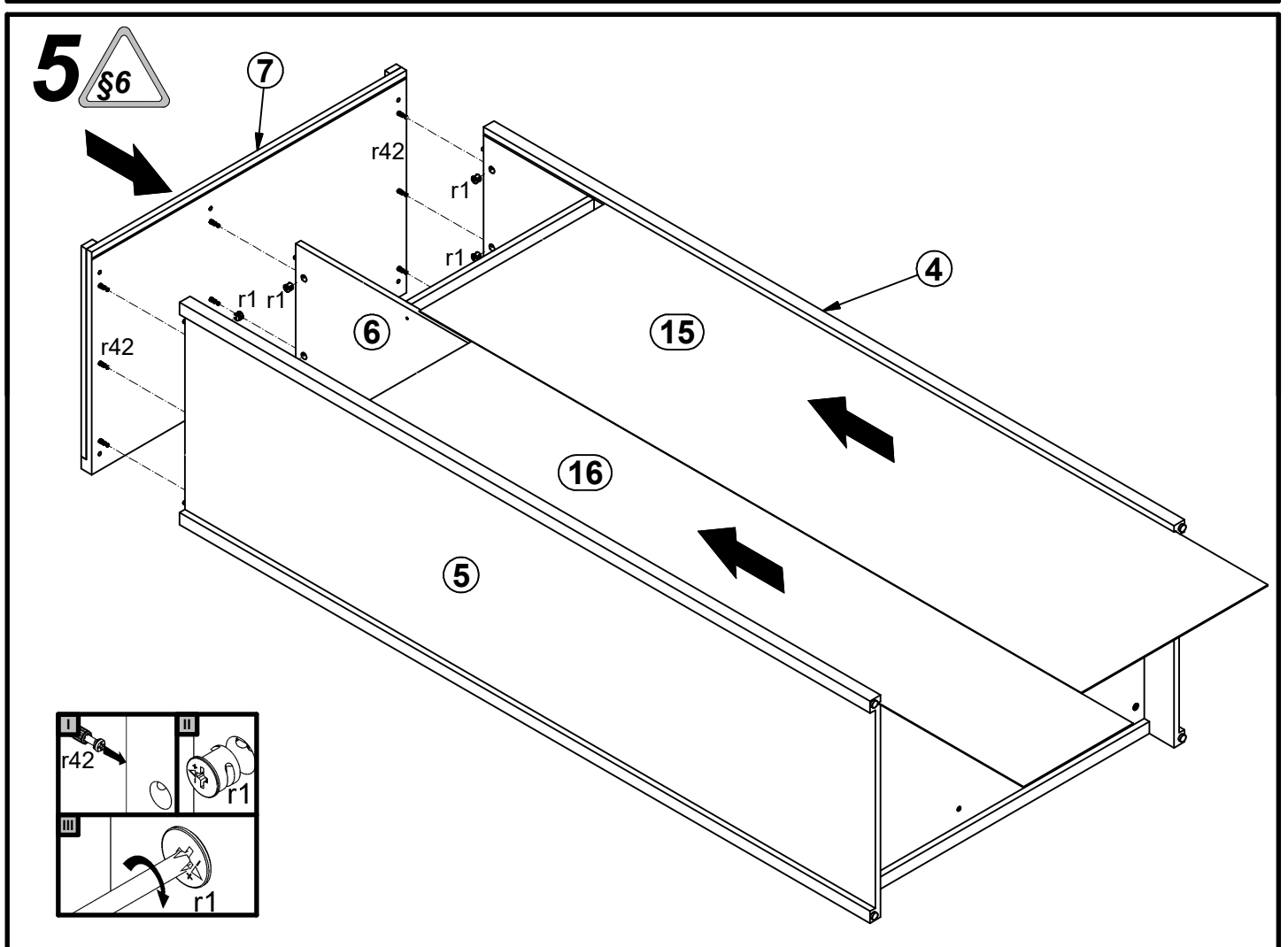
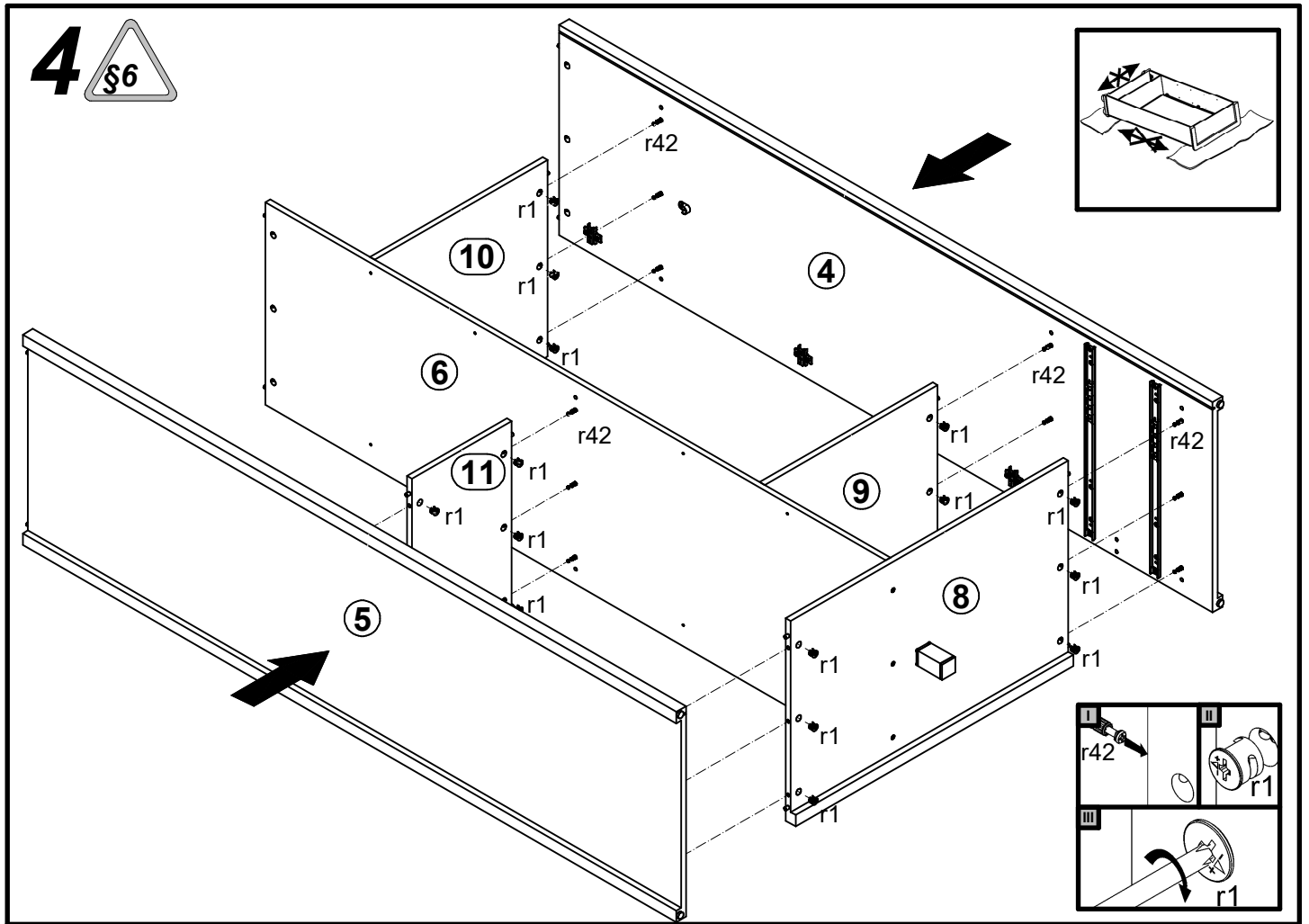


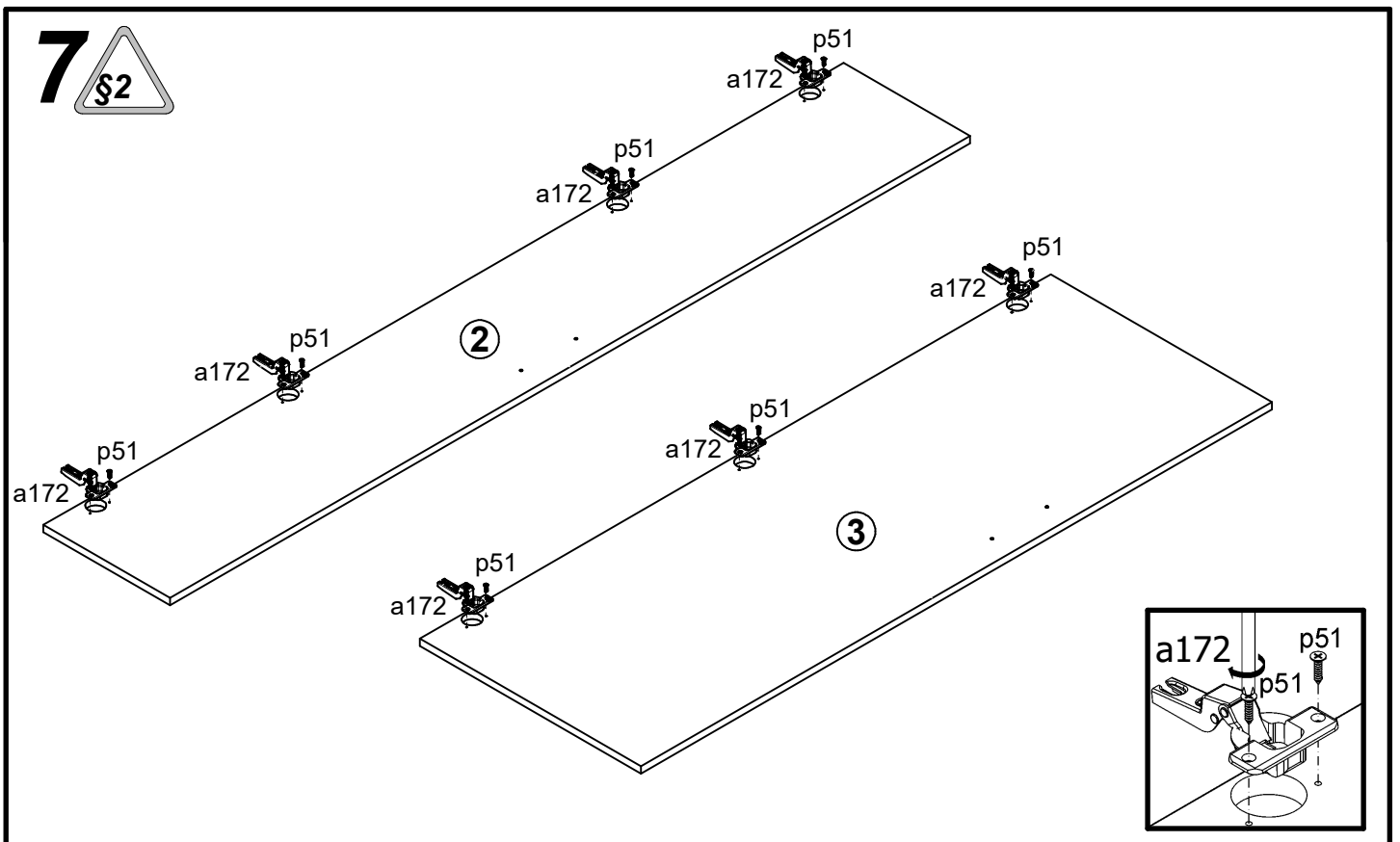
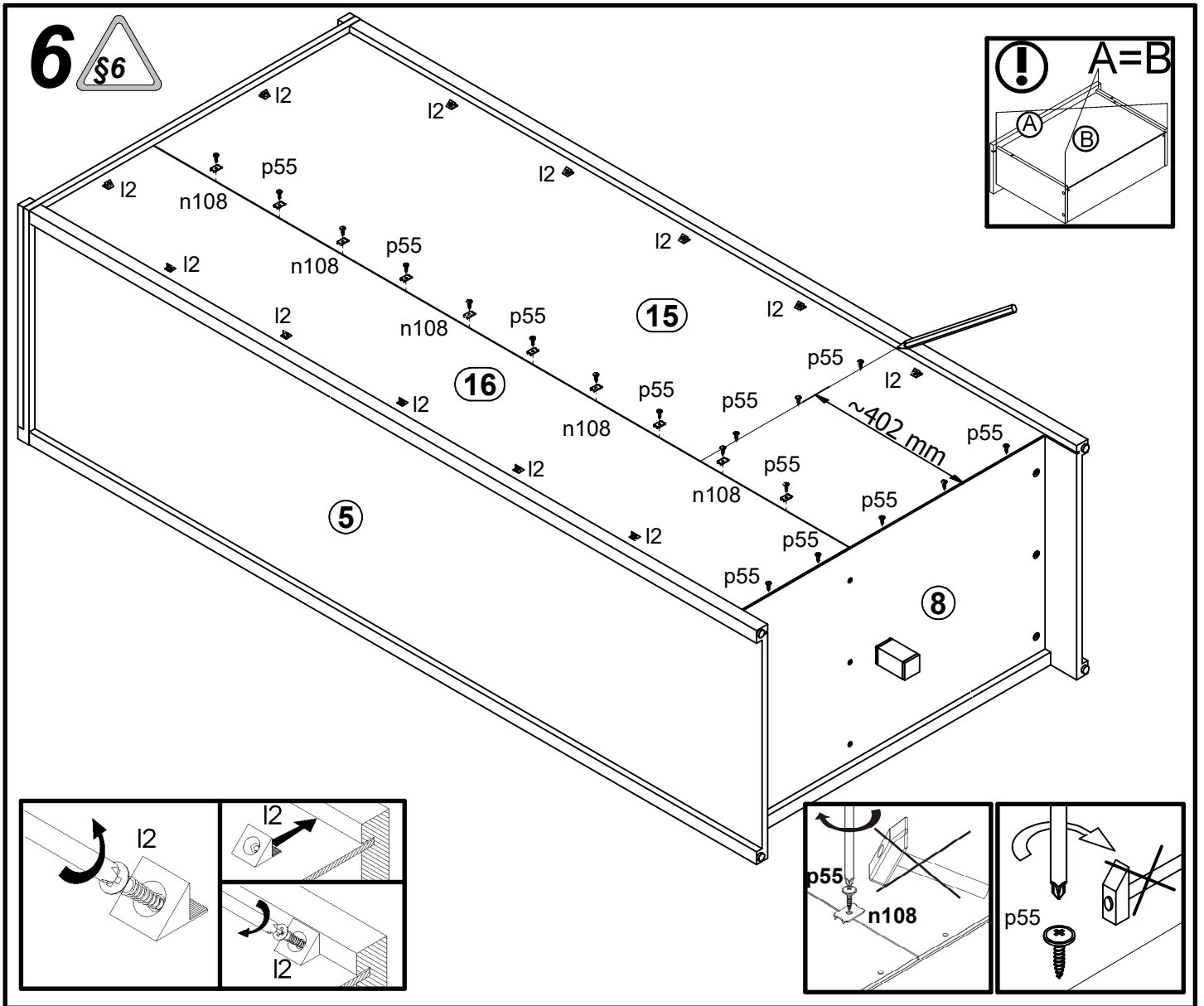
7x K18 Ø35 a172	7x b42	4x 128 mm c511\1	16x Ø5x17 mm d1	3x Ø6,3x15 mm d5	3x Ø7x50 mm e1	28x Ø8x30 mm f1	4x Ø6x30 mm f9	8x Ø6,5x40 mm f25
4x k1	1x Ø5x213 k148\1	1x Ø5x1074 k148\4	12x l2	2x h=22mm n1	10x 22x9,5x20,7 mm n108	2x Ø3,5x13 mm p1	12x Ø3,5x16 mm p38	14x Ø3,5x15 mm p51
18x Ø2,9x16 mm p55	8x Ø4x22 mm p60	24x Ø3,5x12 mm p140	33x Ø15x12 mm #16 r1	8x Ø12x10,5 mm #12 r15	41x 20/11 r42	4x 500/820 mm w165\1	4x 500/820 mm w165\2	15x Ø 20mm s68
1x 4 mm z1							1x n26	1x Ø3,5x16 mm p38

1 §2

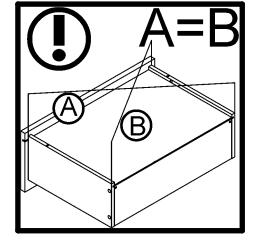
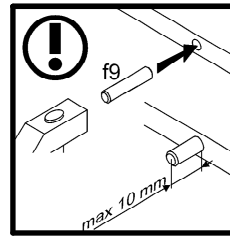




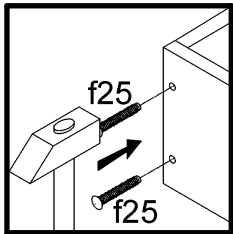
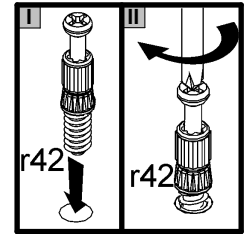
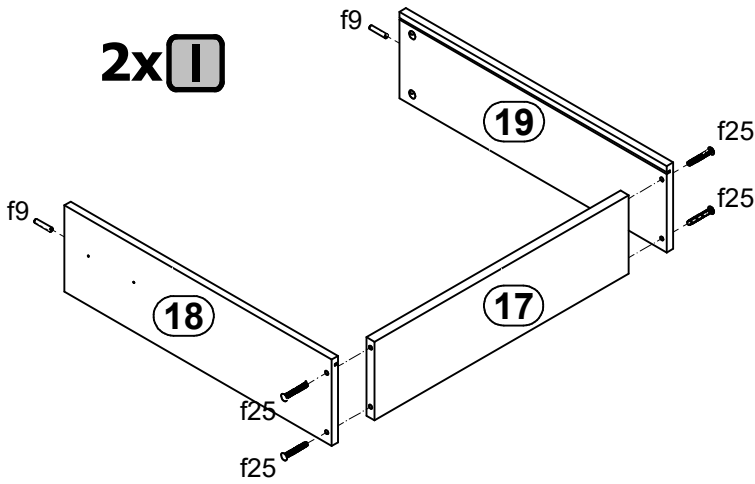




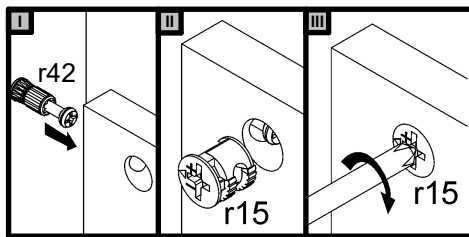
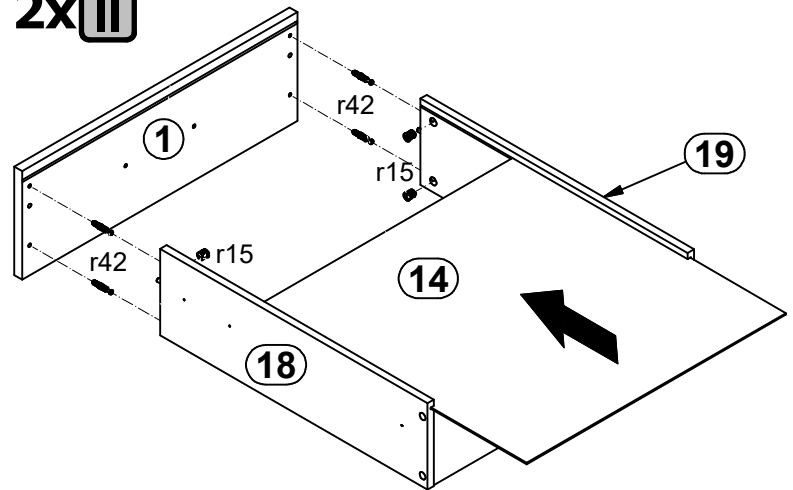
8 §2 §6



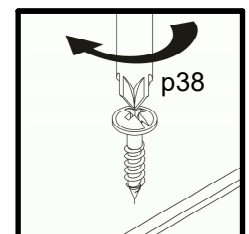
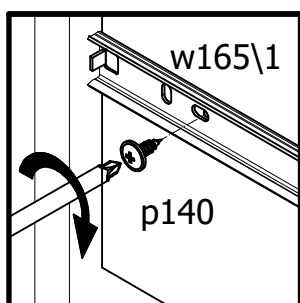
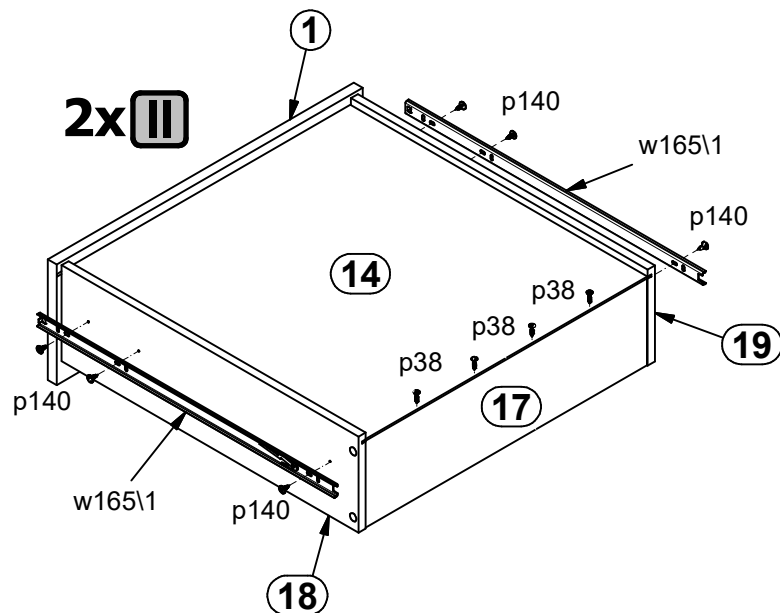
2x I



2x II



2x II



9 §6

