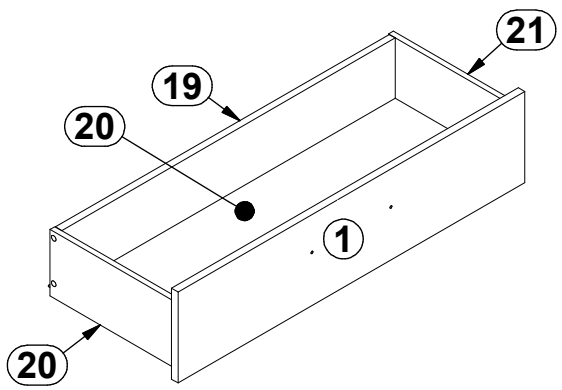


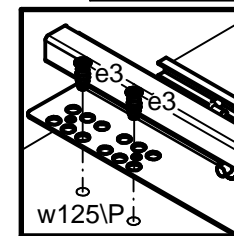
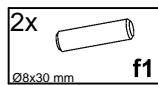
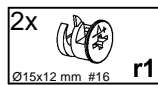
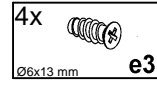
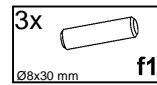
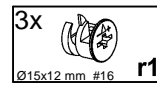
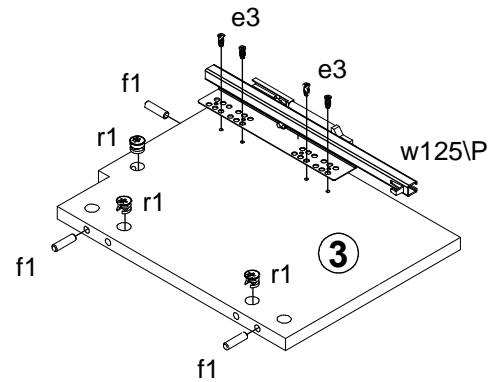
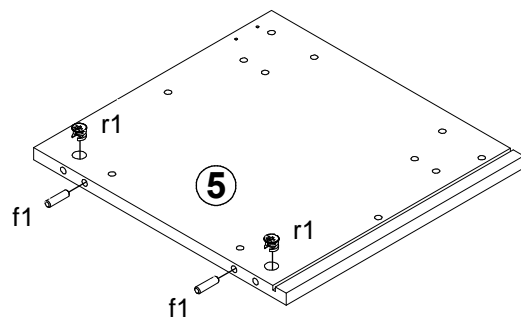
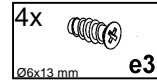
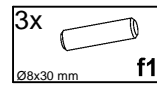
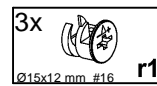
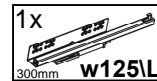
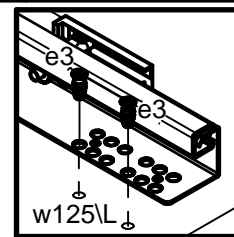
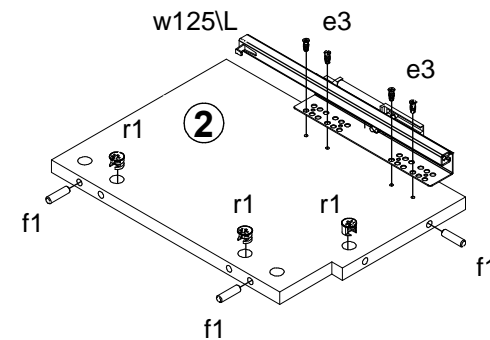
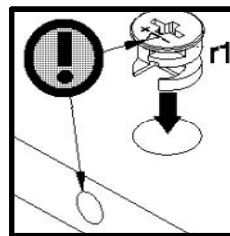
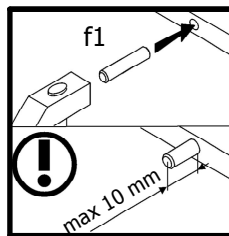
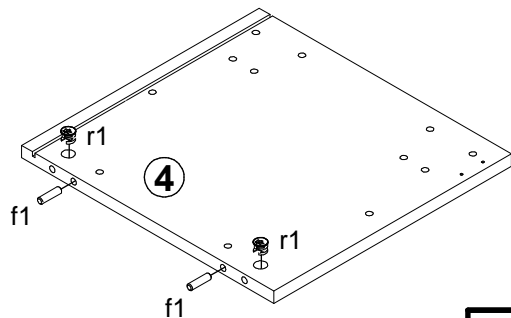
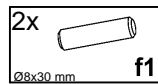
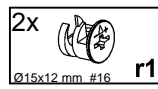
A	B	C1	C2	C3	D
1	M244-0009	844	192	16	1/1
2	M244-1009	262	358	16	1/1
3	M244-1010	262	358	16	1/1
4	M244-1011	356	378	16	1/1
5	M244-1012	356	378	16	1/1
6	M244-2003	966	378	16	1/1
7	M244-3012	934	358	16	1/1
8	M244-5059	352	80	22	1/1
9	M244-5060	352	80	22	1/1
10	M244-5061	362	58,	22	1/1
11	M244-5062	352	58,	22	1/1
12	M244-5501	378	80	22,	1/1
13	M244-5502	262	80,	19,	1/1
14	M244-5557	1011	80	22,	1/1
15	M244-5558	850	80,	19,	1/1
16	M244-5559	932	40	16	1/1
17	M244-9005	944,	282,	2,5	1/1
18	WSP-9282	822	308	2,5	1/1
19	ZQ6-5027	812	127	15	1/1
20	ZQ6-509	300	140	12	1/1
21	ZQ6-510	300	140	12	1/1
22	M141-503	1000	400	55	1/1

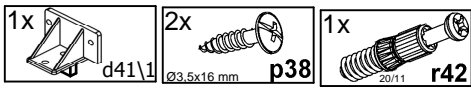


1x 192mm c280/1	2x d41/1	6x d41/2	6x Ø7x50 mm e1	8x Ø6x13 mm e3	16x Ø7x28 mm e22	
14x Ø8x30 mm f1	8x Ø8x20 mm f13	4x Ø6,5x40 mm f25	2x M4x22 mm j30	6x k1	2x 83x83x11 k101	
9x l1	4x l2	3x Ø4x30 mm p9	1x Ø3,5x16 mm p25	1x Ø3,5x10 mm p35	40x Ø3,5x16 mm p38	
2x Ø2,9x16 mm p55	4x Ø3,5x20 mm p79	10x Ø15x12 mm #16 r1	4x Ø12x10,5 mm #12 r15	14x r42	1x 300 mm t25	
1x 300mm w125P	1x 300mm w125L	1x z1	1x Ø10x50 mm f35	1x 8x21x15/1,5 n14/2	1x Ø5x60 mm p17	2x Ø3,5x16 mm p38

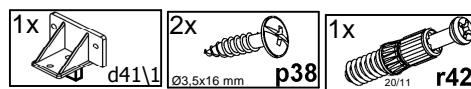
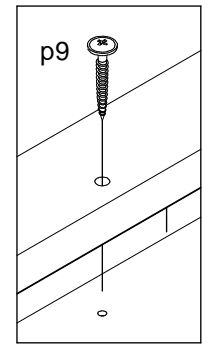
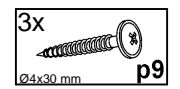
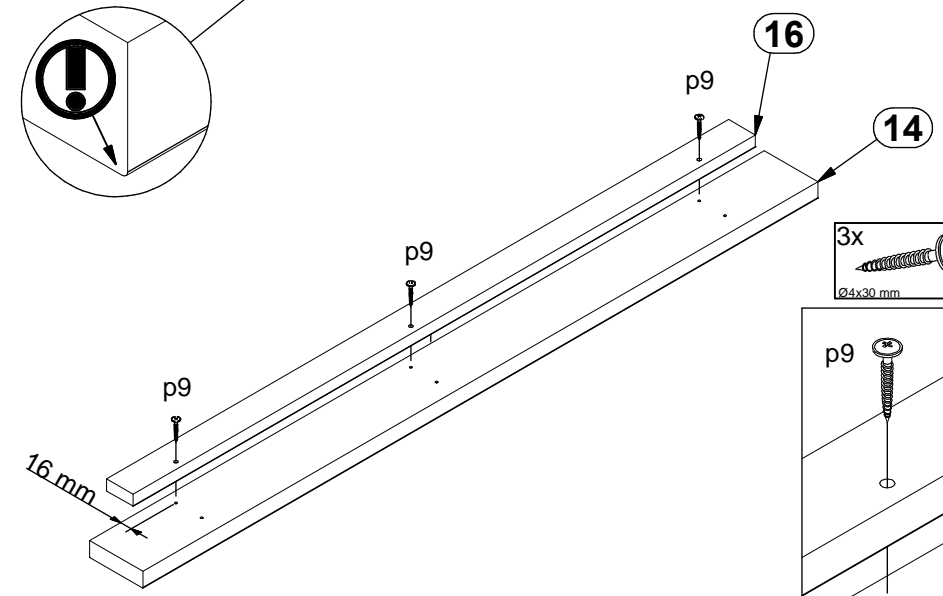
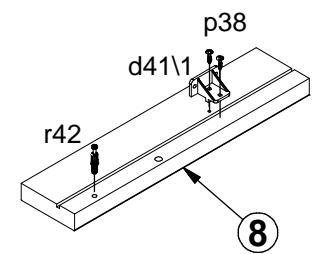
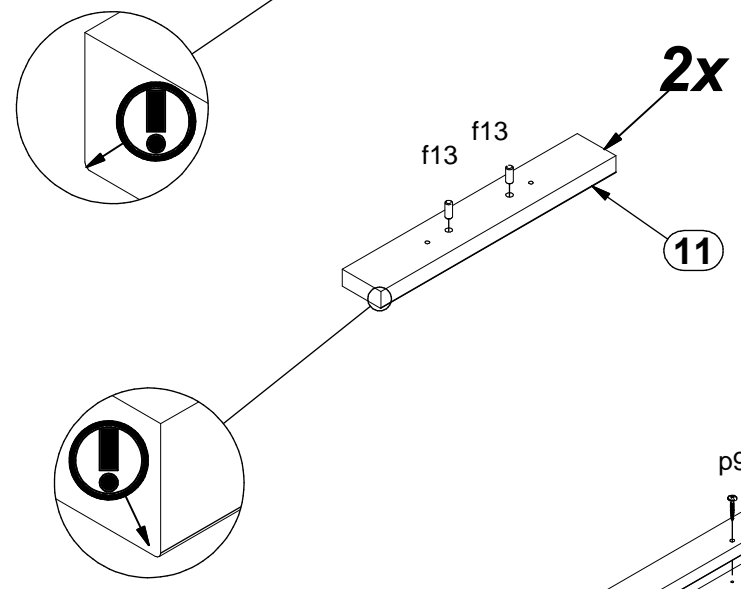
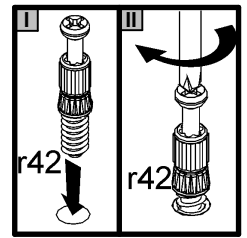
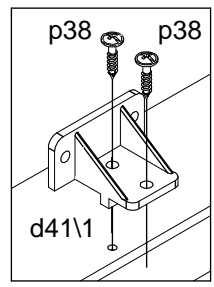
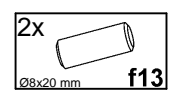
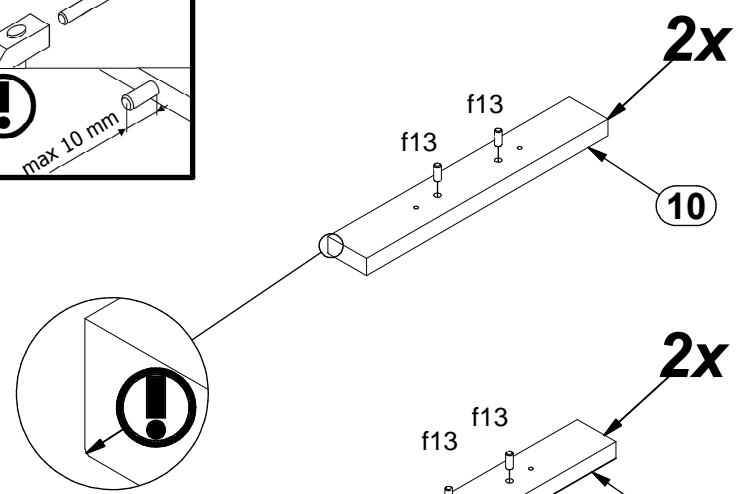
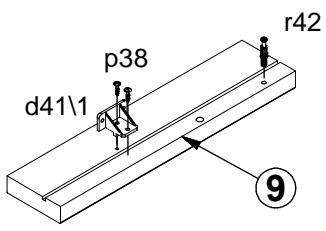
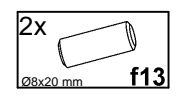
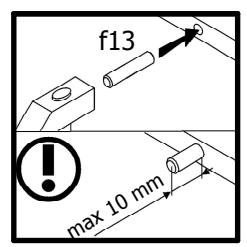


1 

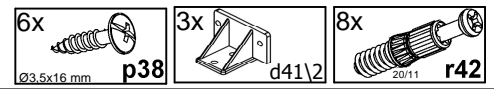
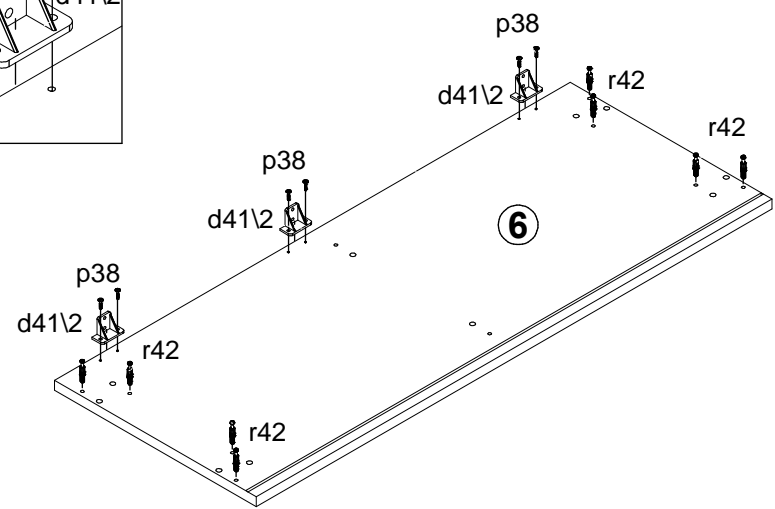
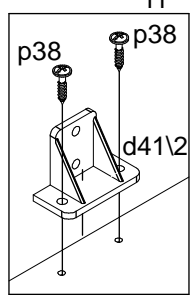
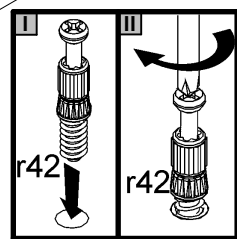
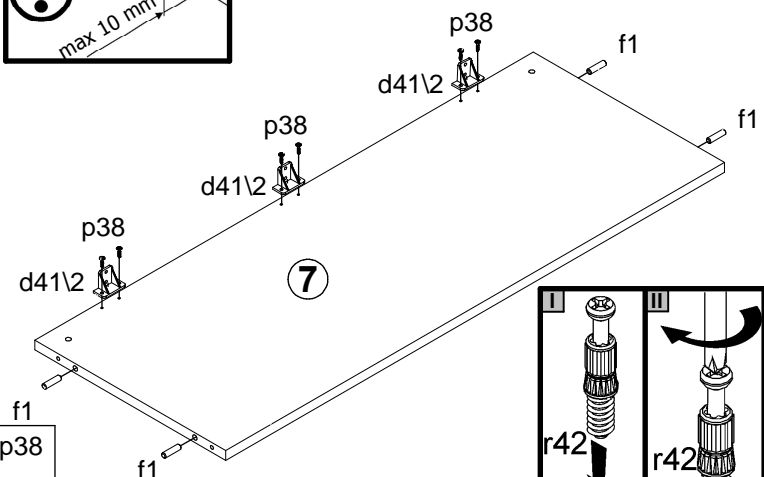
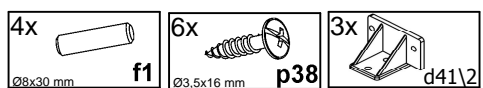
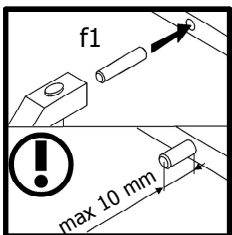




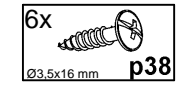
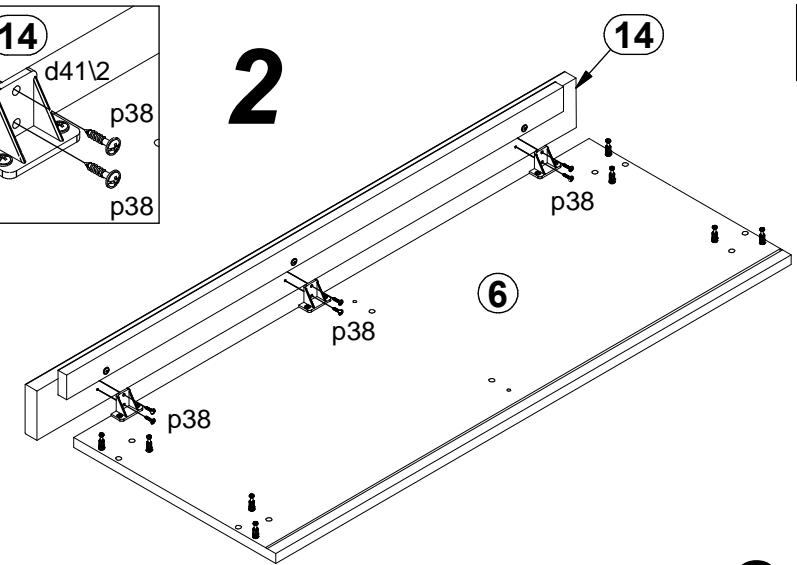
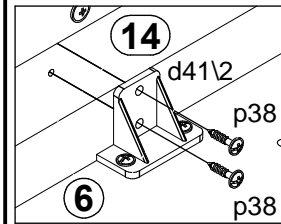
1



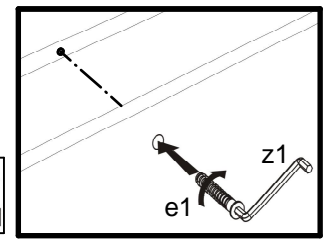
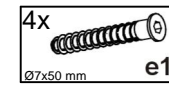
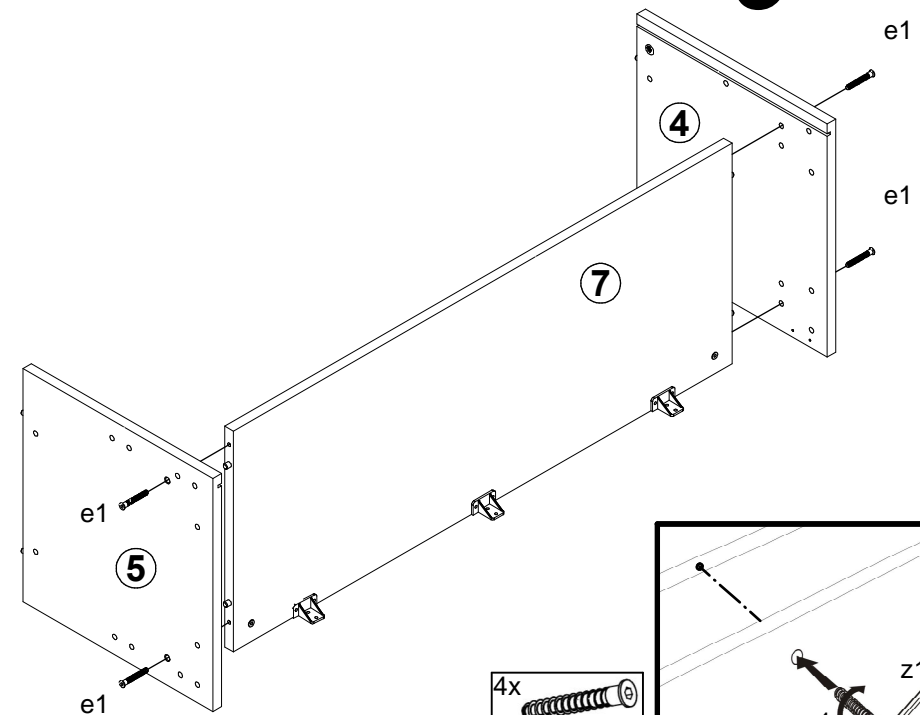
1

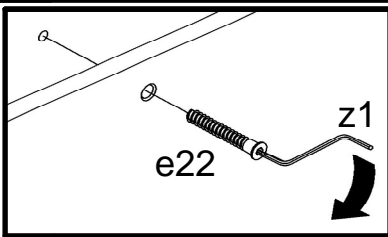


2



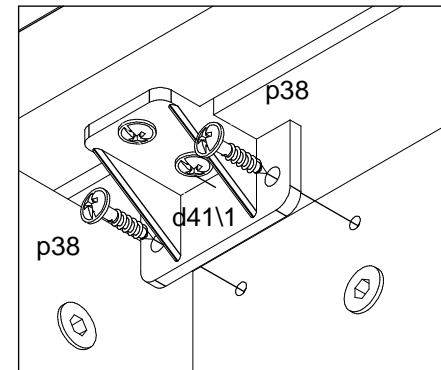
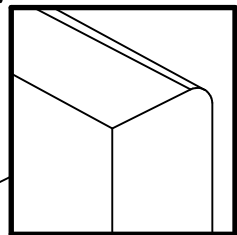
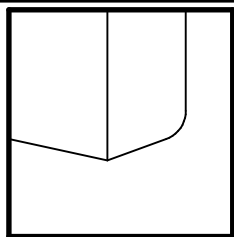
3



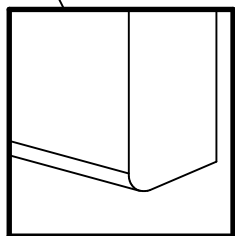
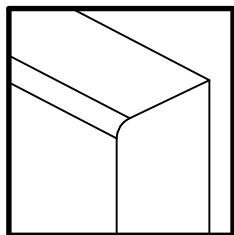
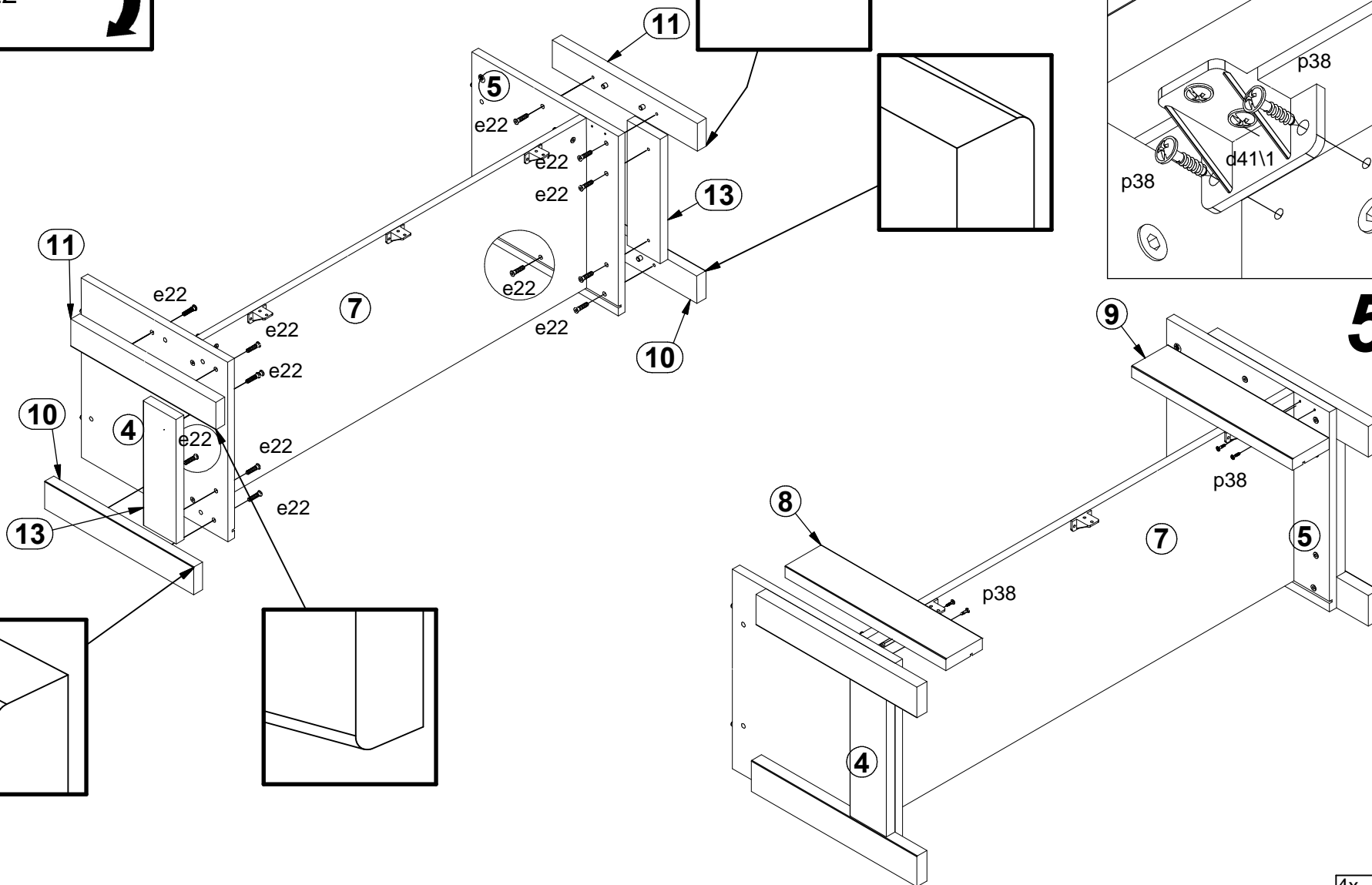


12x
 Ø7x28 mm e22

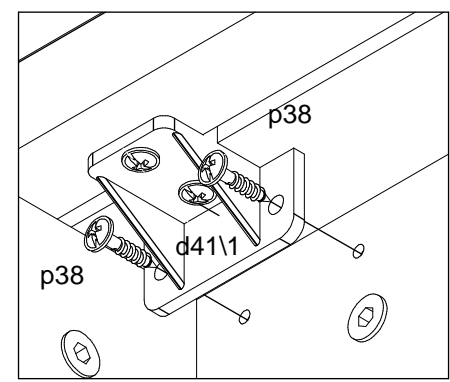
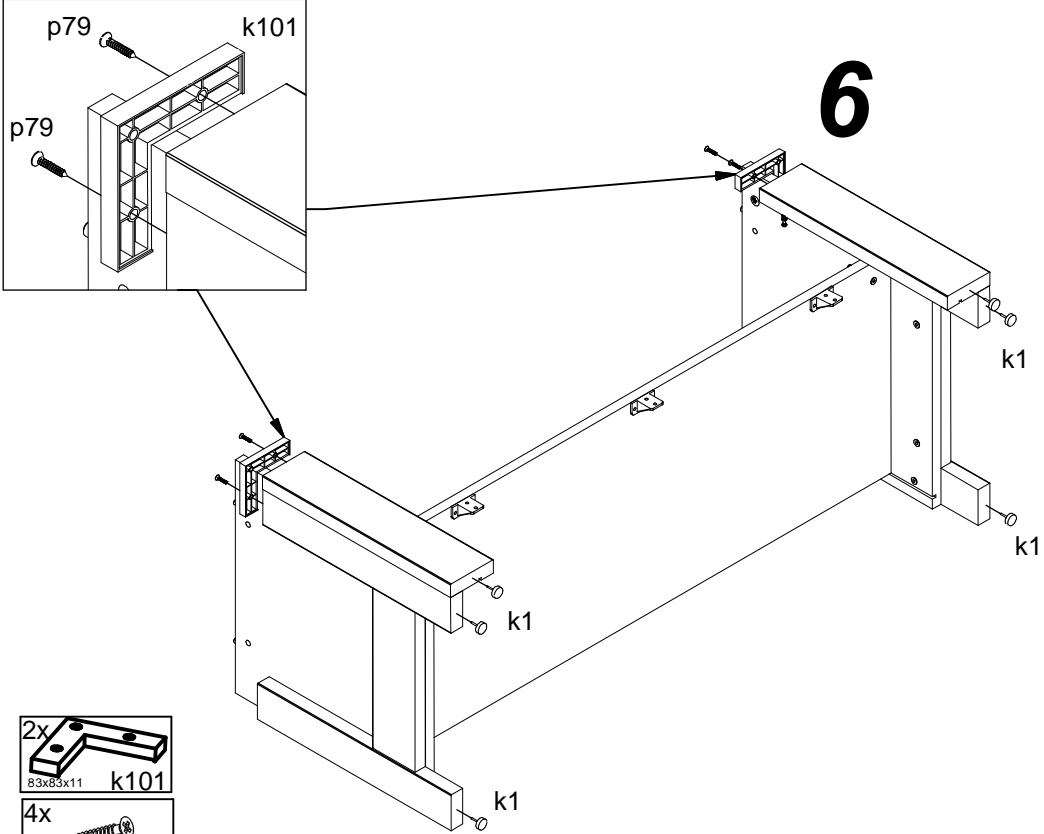
4


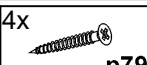

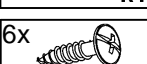


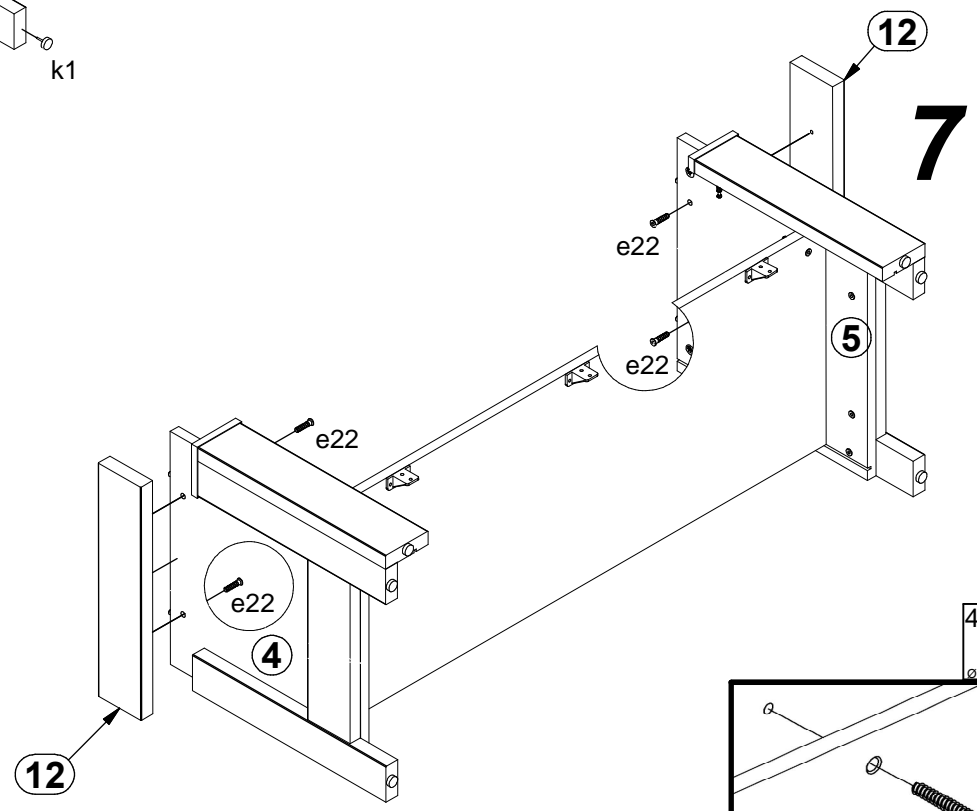
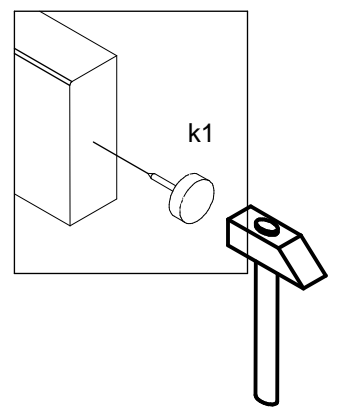
5




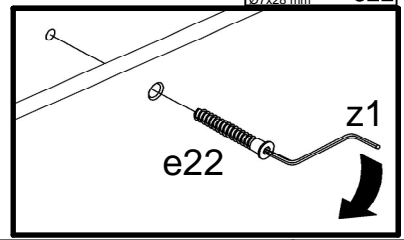
4x
 Ø3.5x16 mm p38

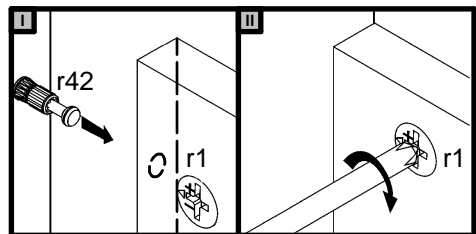


- 2x  k101
83x83x11
- 4x  p79
Ø3.5x20 mm
- 6x  k1
- 6x  p38
Ø3.5x16 mm

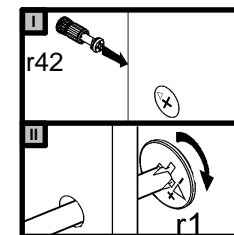
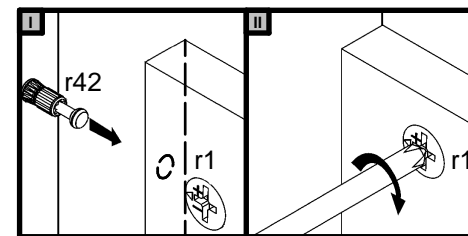


- 4x  e22
Ø7x28 mm

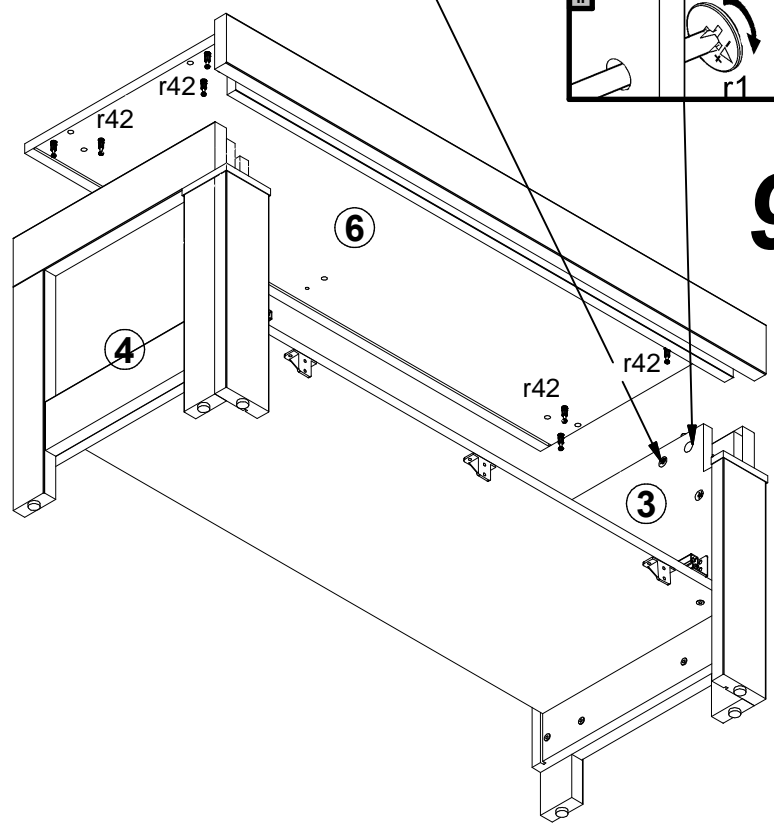
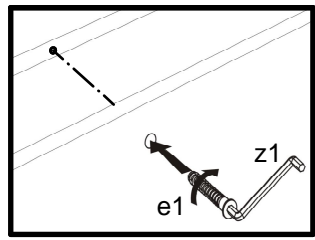
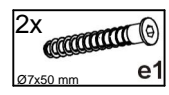
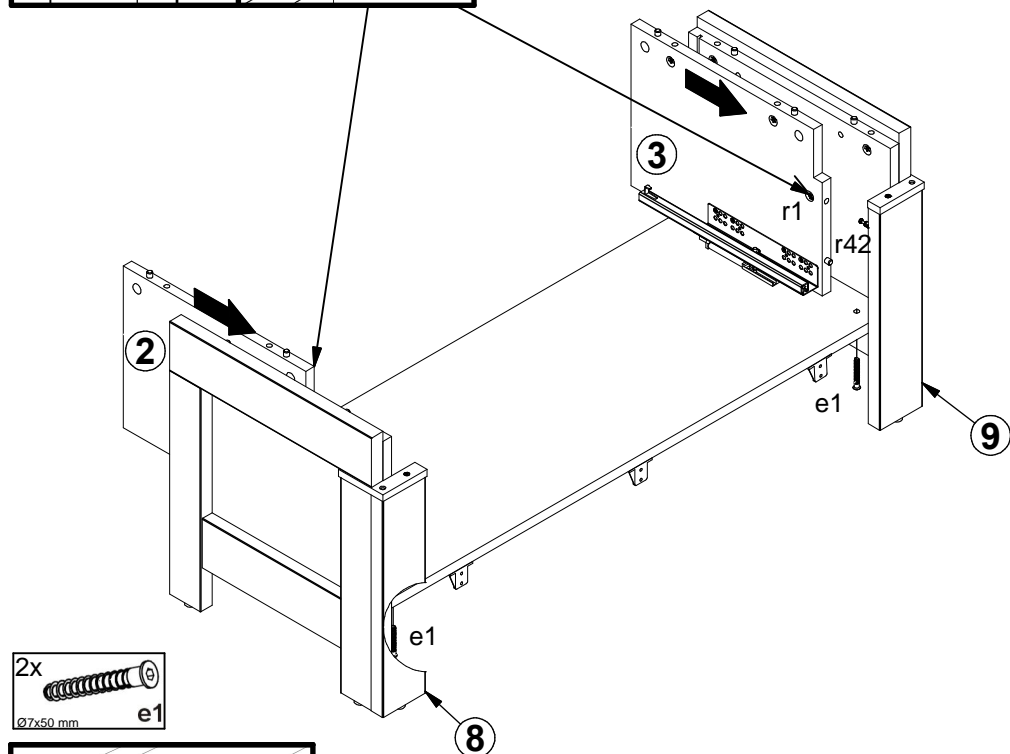


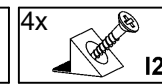
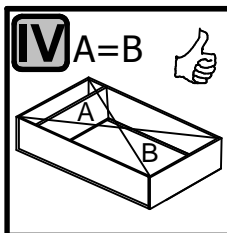
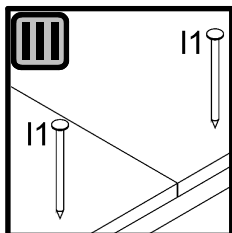
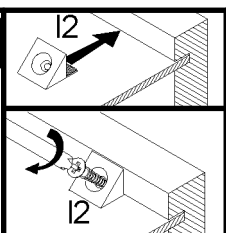
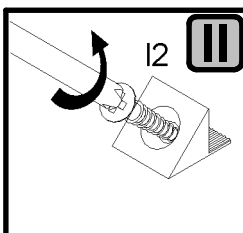
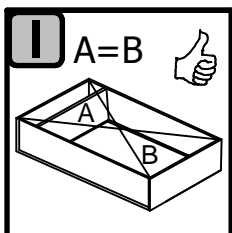
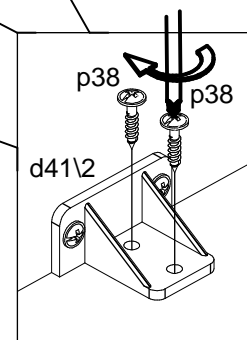
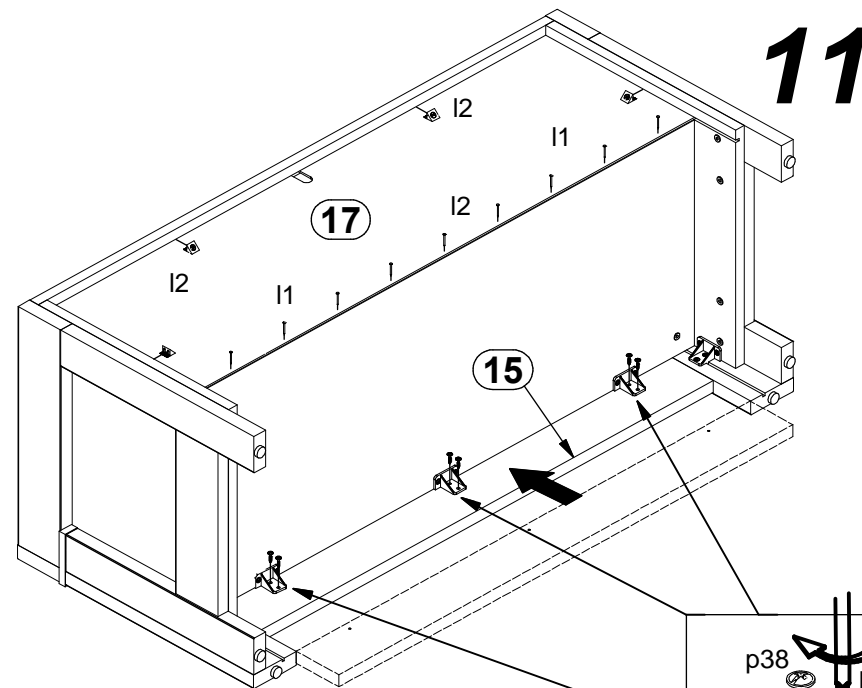
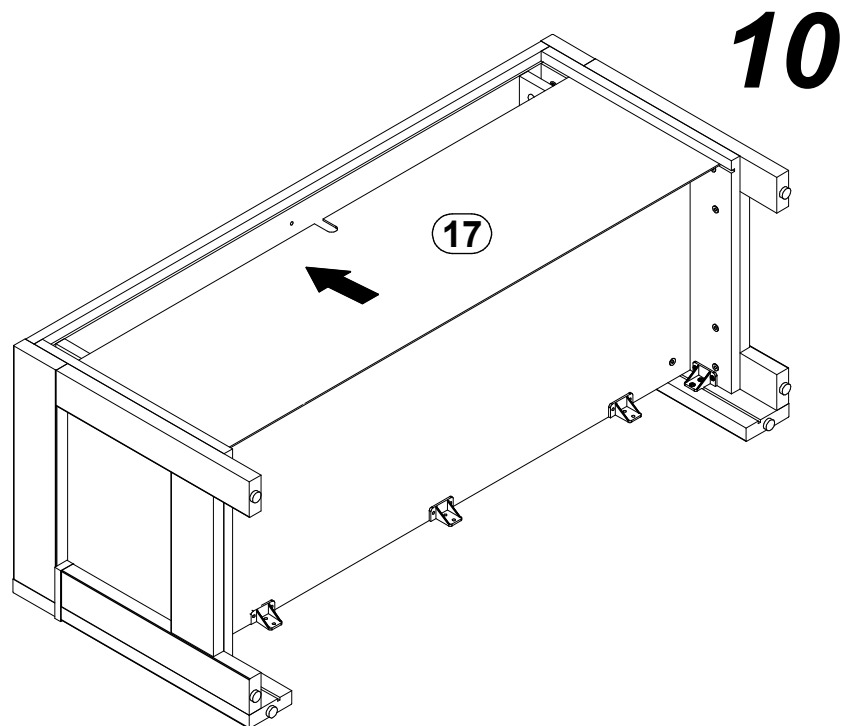


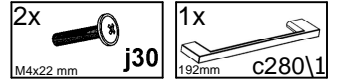
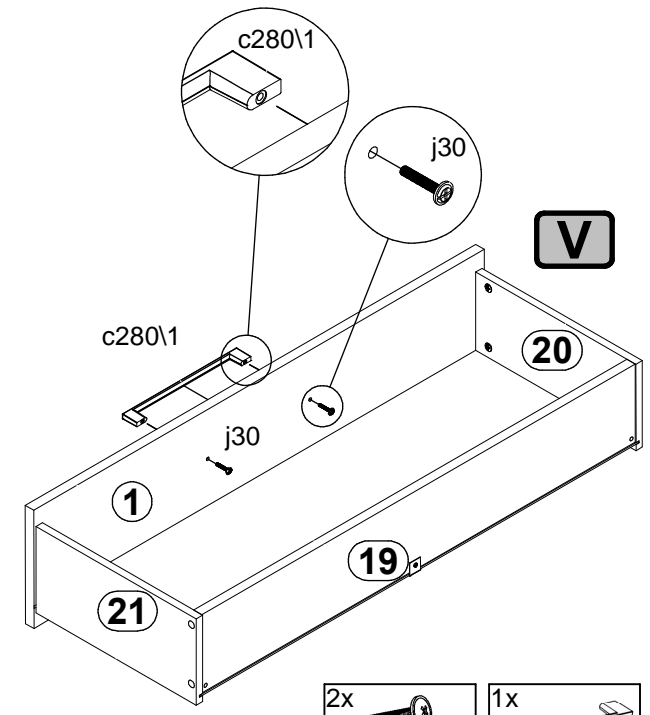
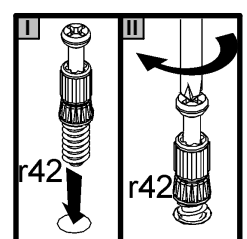
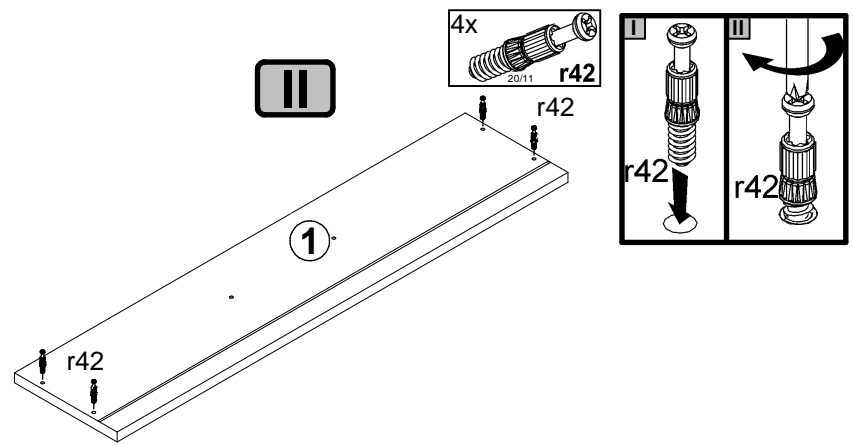
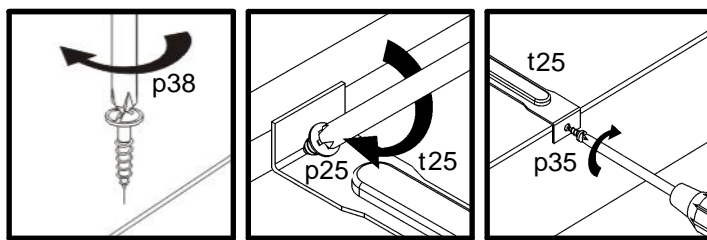
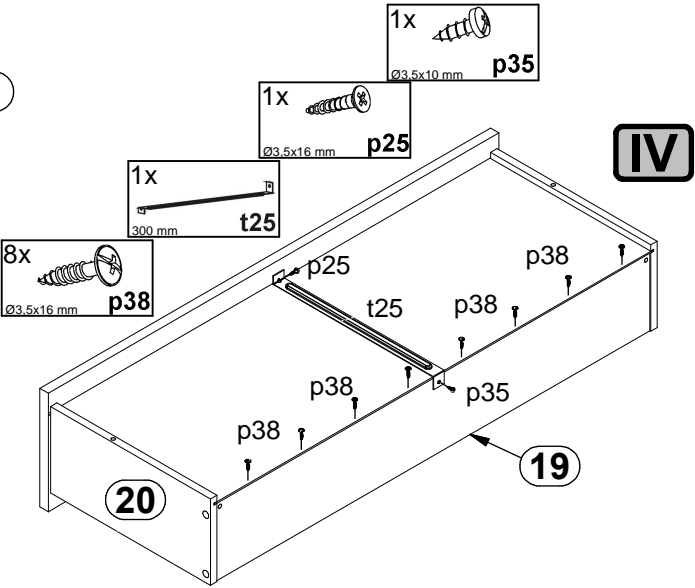
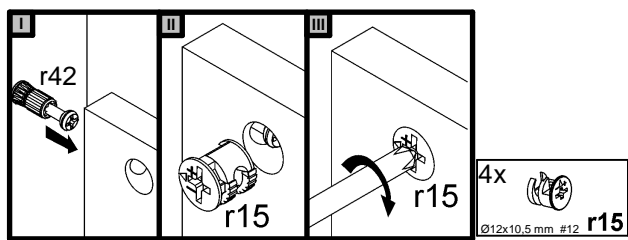
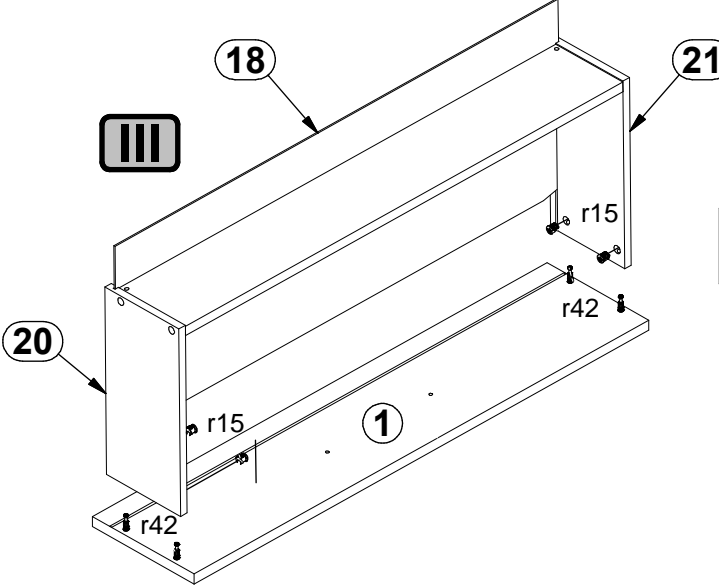
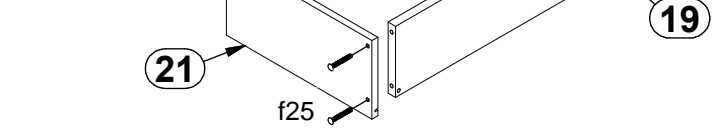
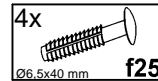
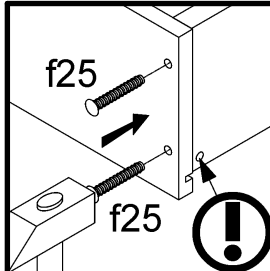
8

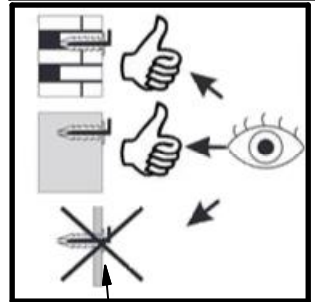
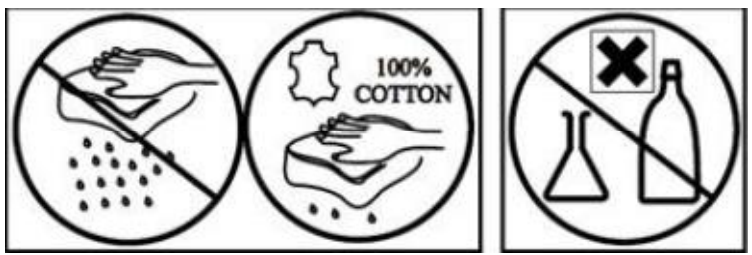
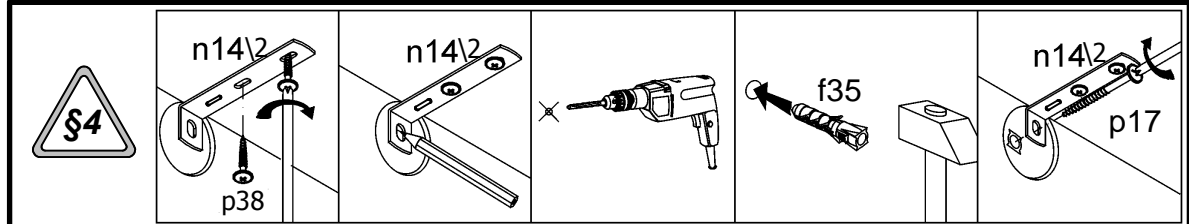


9

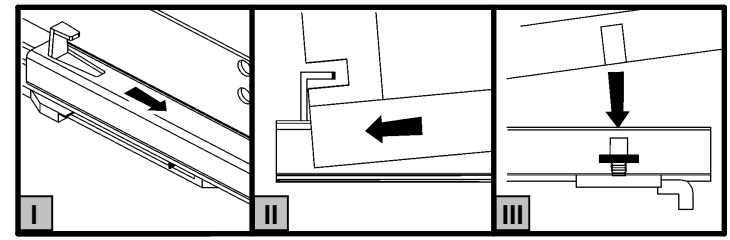
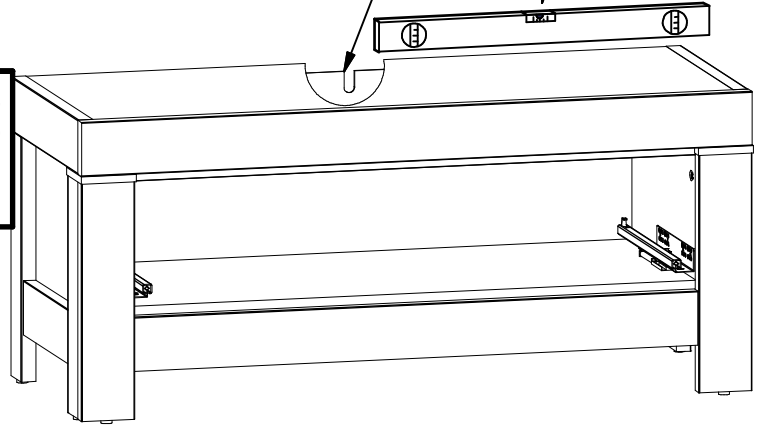
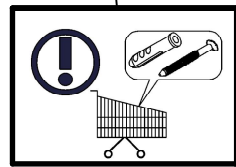








13



14

