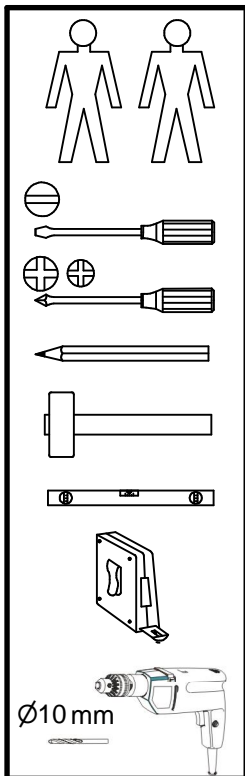
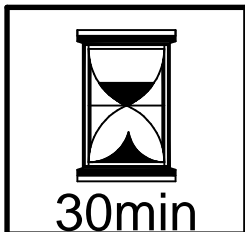
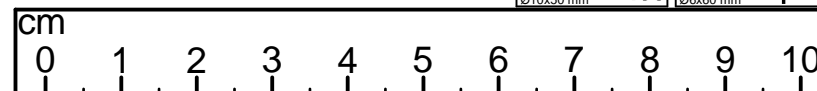
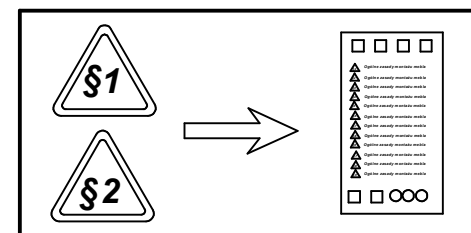
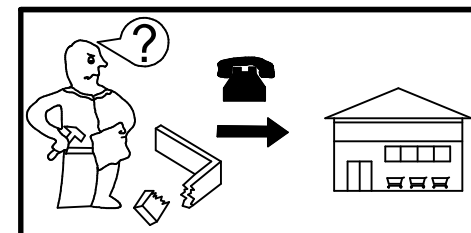
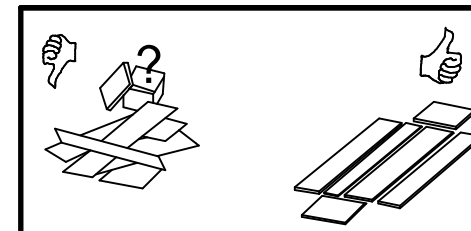
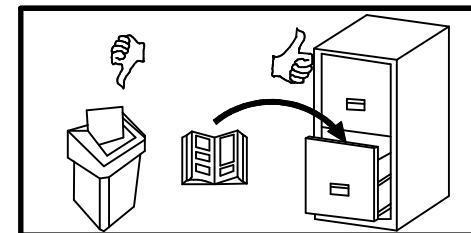
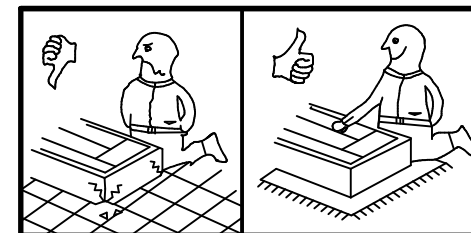
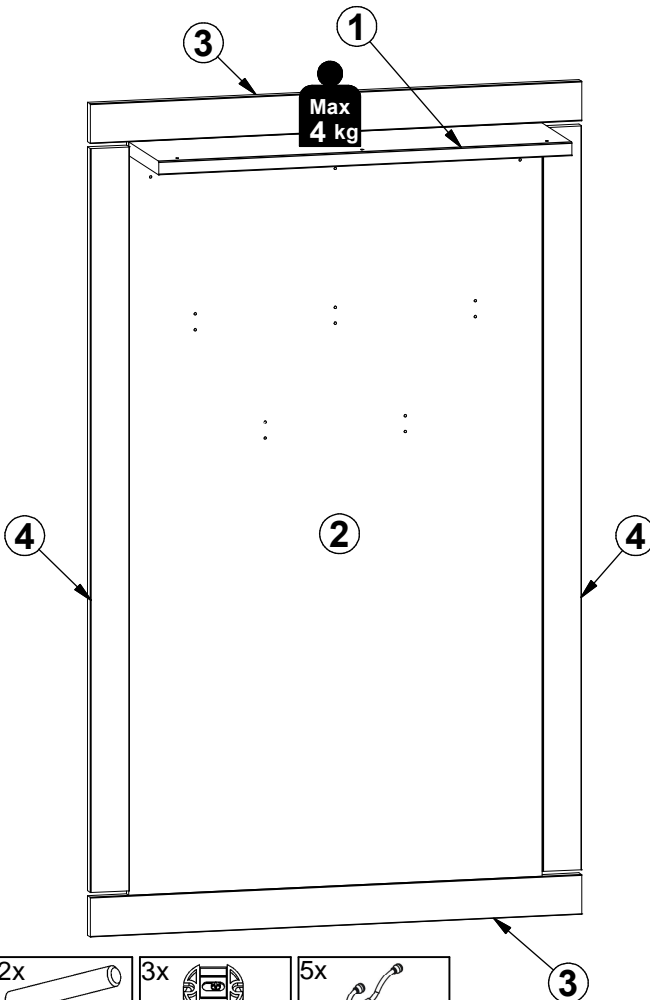
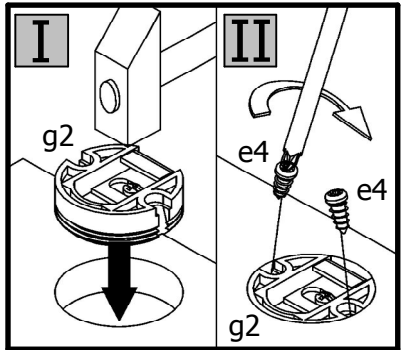


A	B	C1	C2	C3	D
1	M244-3013	849	230	28	1/1
2	M244-4051	1520	850	16	1/1
3	M244-5563	1010	80	22,	1/1
4	M244-5564	1500	80	22,	1/1

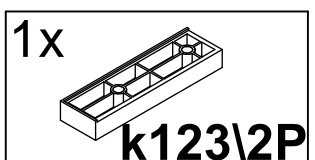
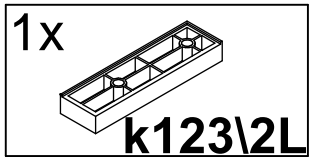
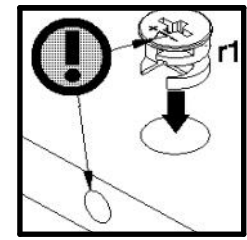
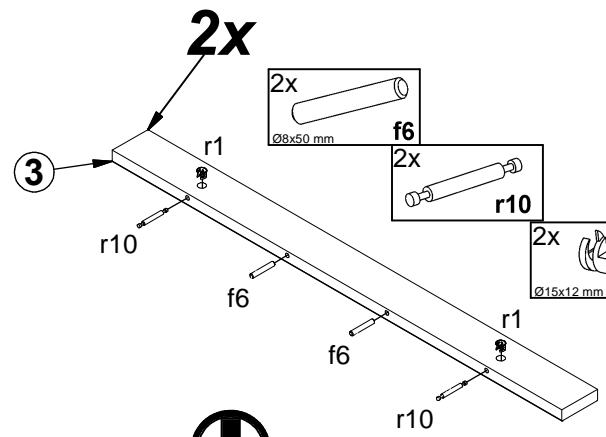
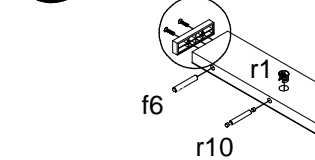
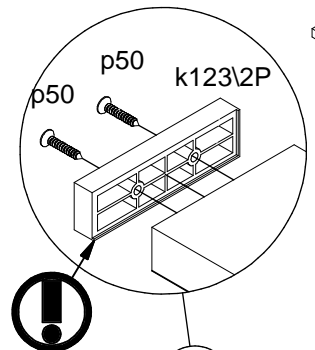
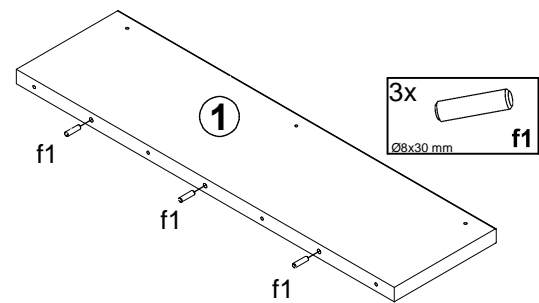
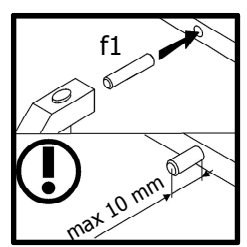
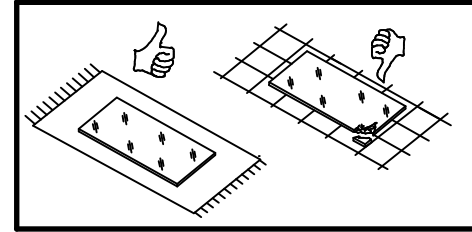
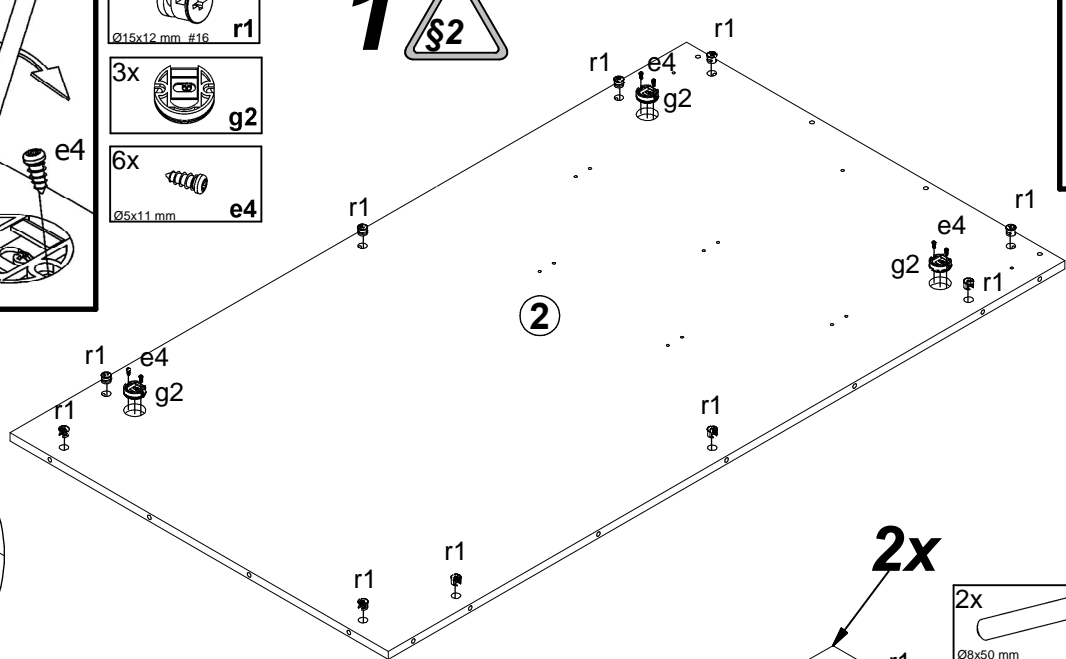


6x Ø5x11 mm e4	4x Ø7x60 mm e8	3x Ø8x30 mm f1	12x Ø8x50 mm f6	3x g2	5x g49
1x g50\1L	1x g50\1P	1x g50\2	2x g50\3	3x M4x35 mm j7	13x M4x22 mm j30
2x k123\2L	2x k123\2P	8x Ø2.9x24 mm p50	20x Ø15x12 mm #16 r1	10x r10	1x z1

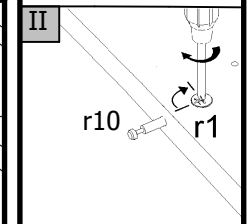
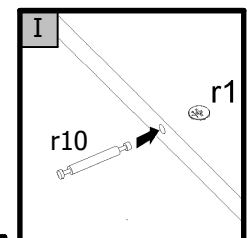
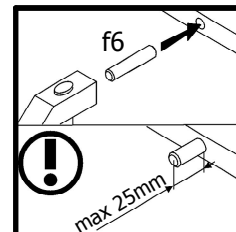
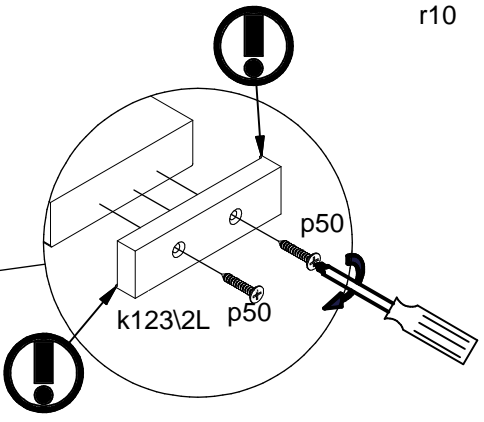


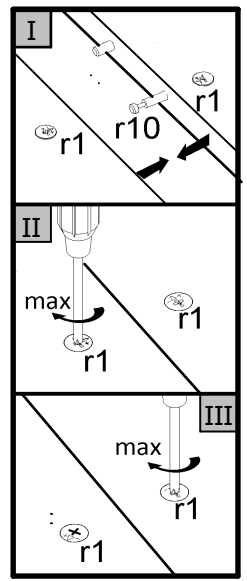
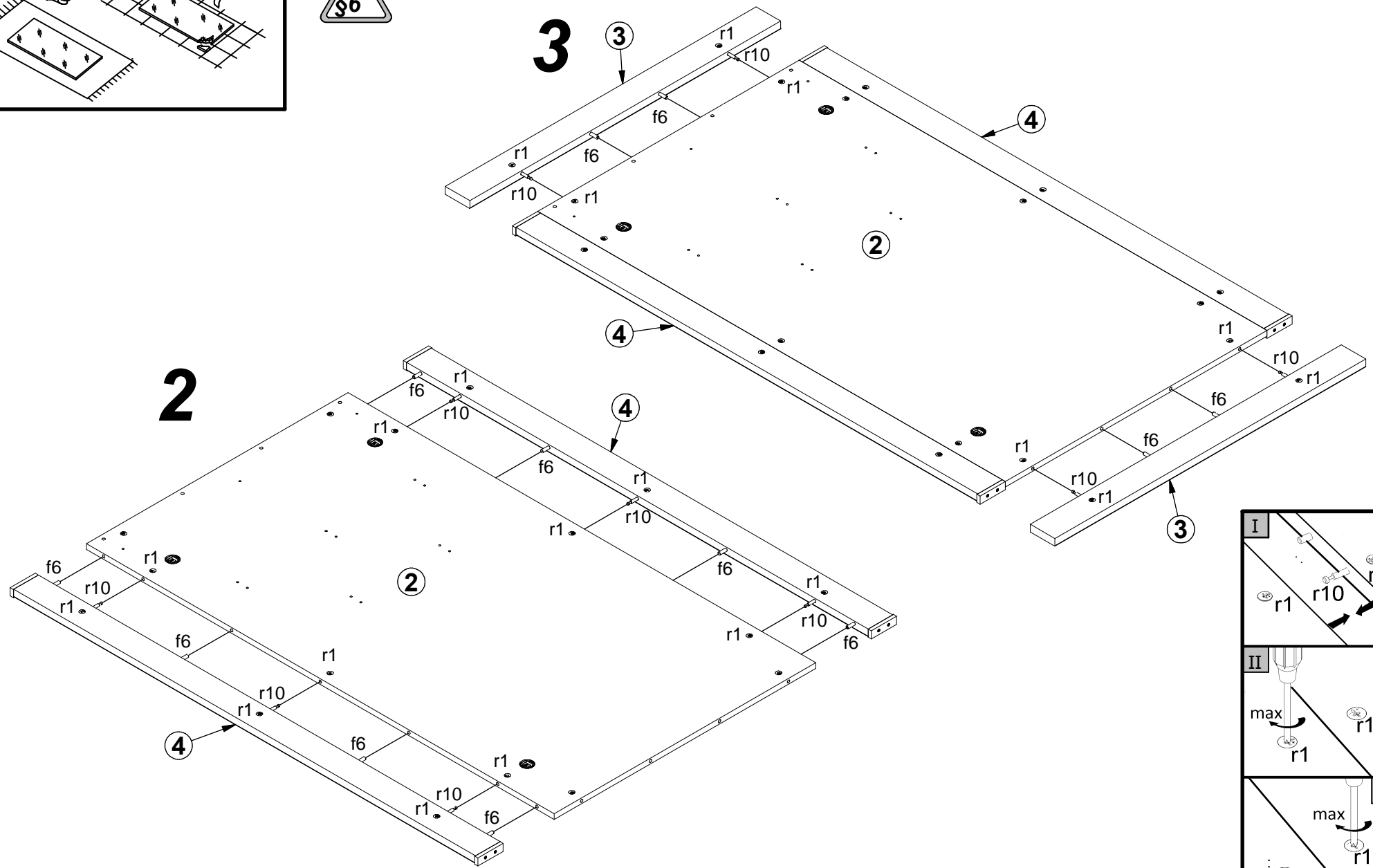
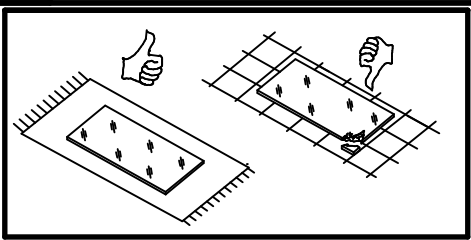


- 10x r1
Ø15x12 mm #16
- 3x g2
- 6x e4
Ø5x11 mm

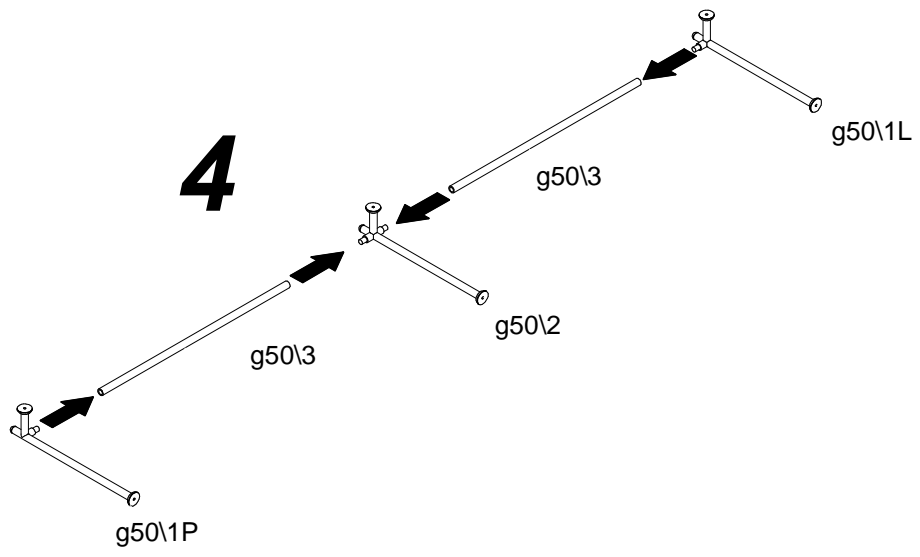


- 4x p50
Ø2,9x24 mm
- 4x f6
Ø8x50 mm
- 3x r10
- 3x r1
Ø15x12 mm #16

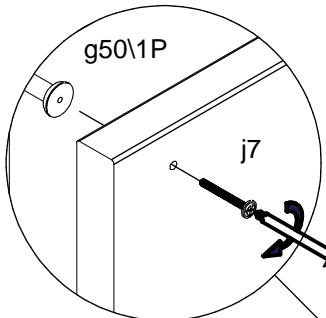




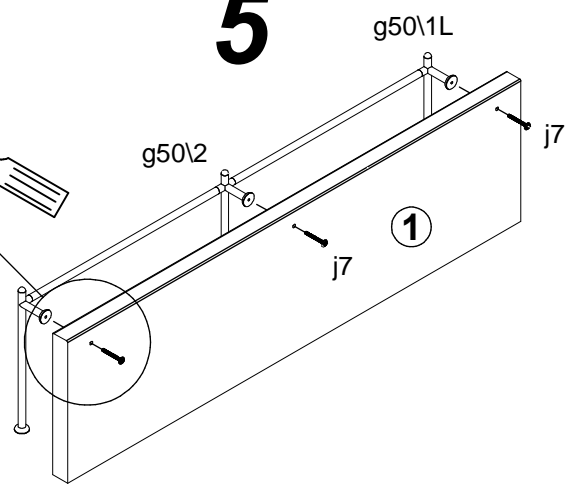
- 1x g50\1L
- 1x g50\1P
- 1x g50\2
- 2x g50\3



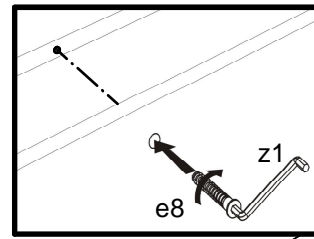
4



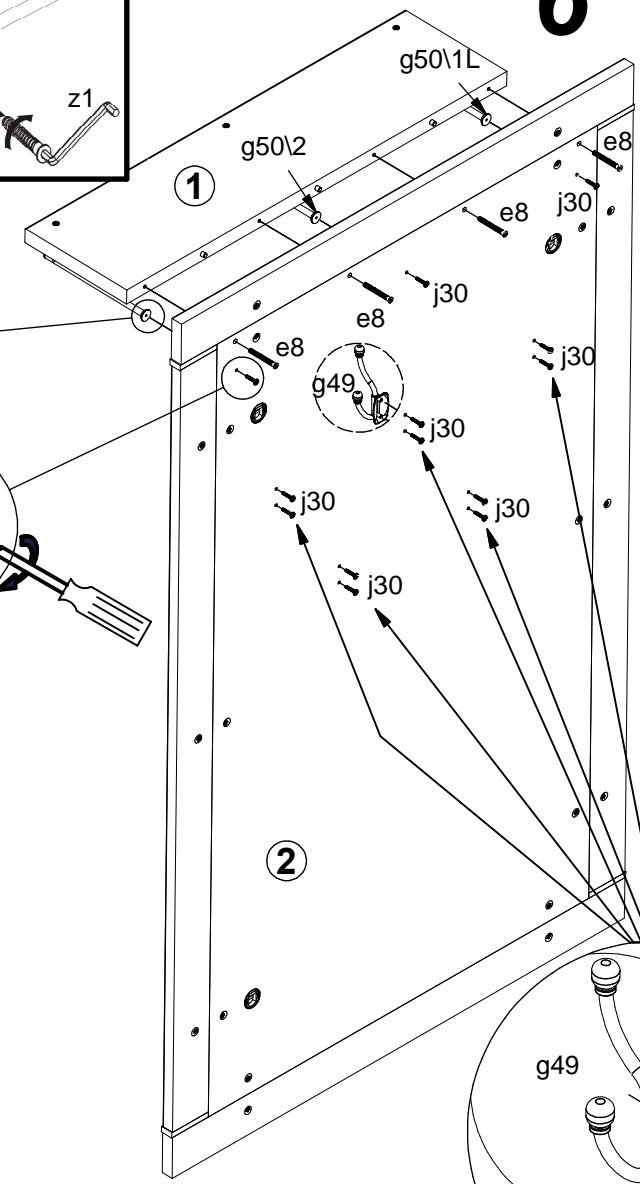
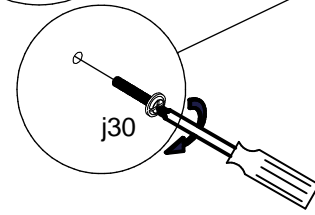
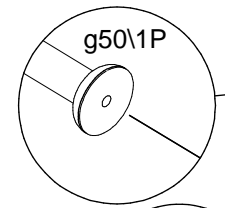
5



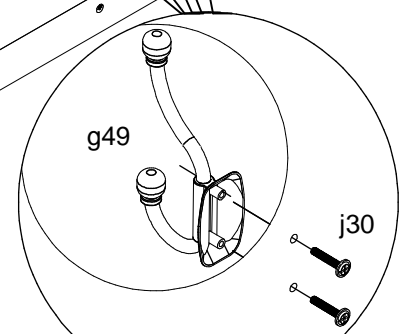
- 3x j7
- M4x35 mm

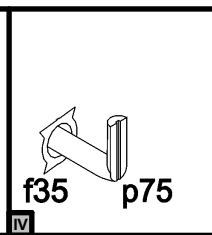
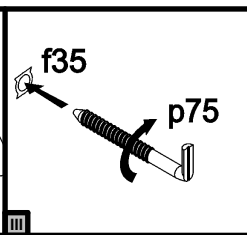
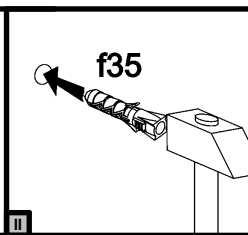
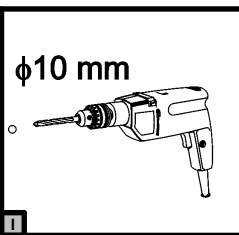
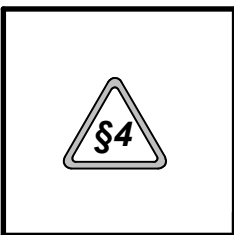
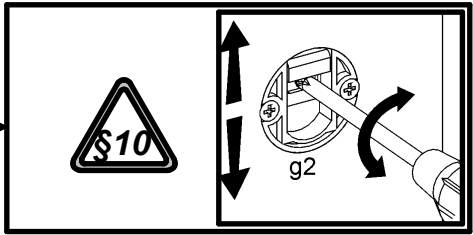
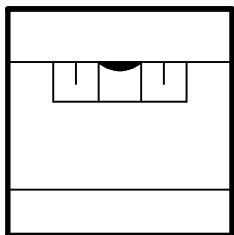


6



- 4x e8
- Ø7x60 mm
- 5x g49
- 13x j30
- M4x22 mm





7

