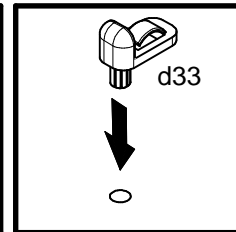
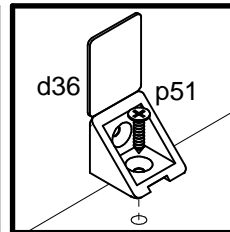
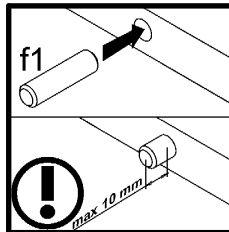
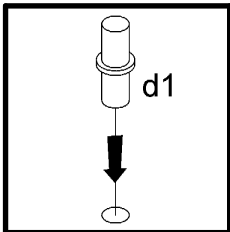
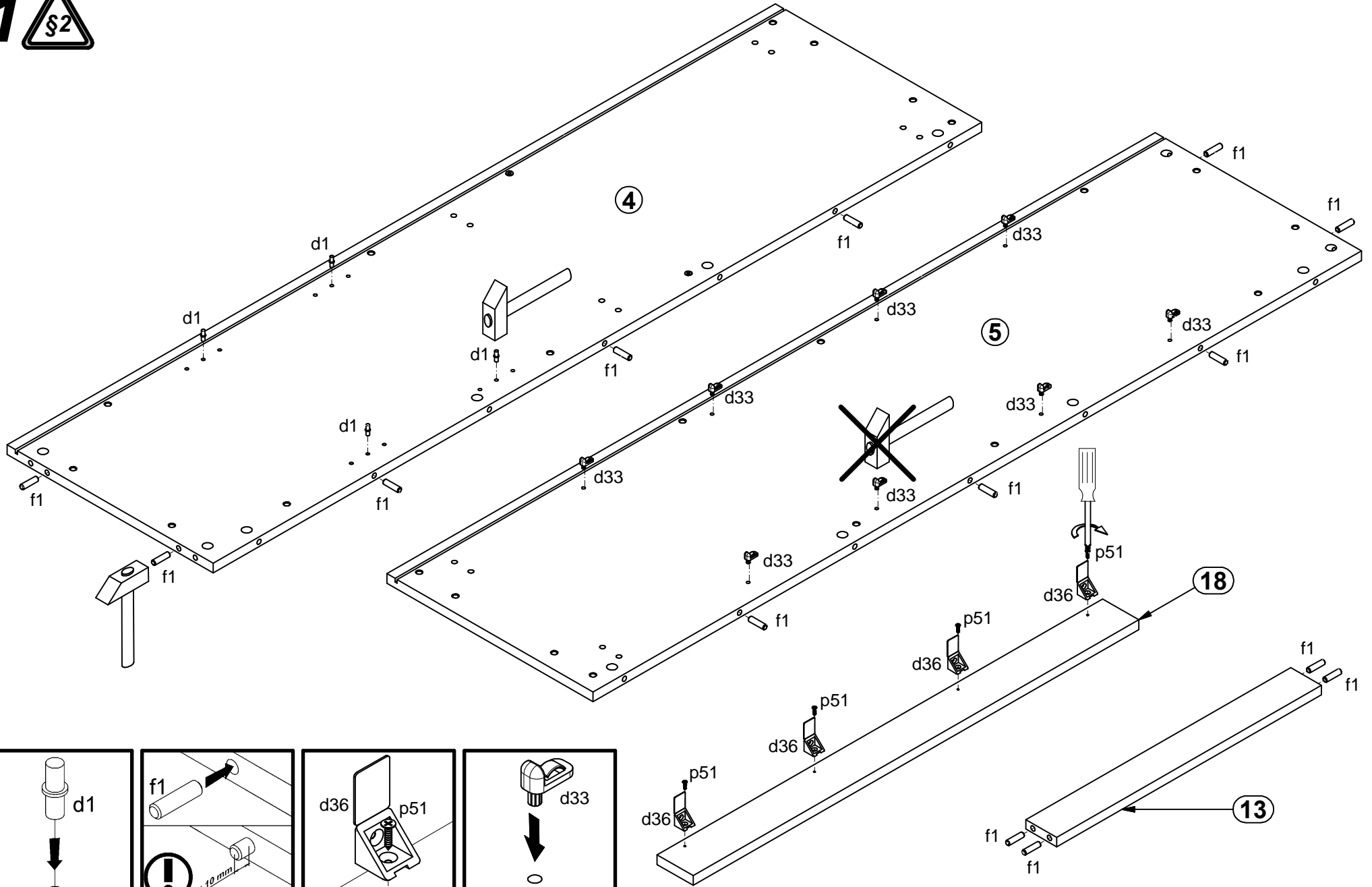


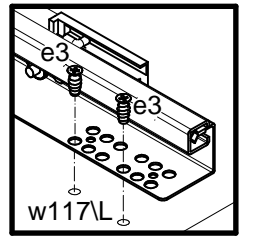
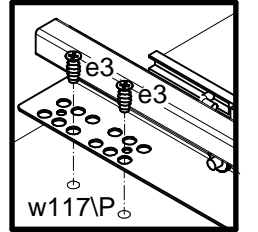
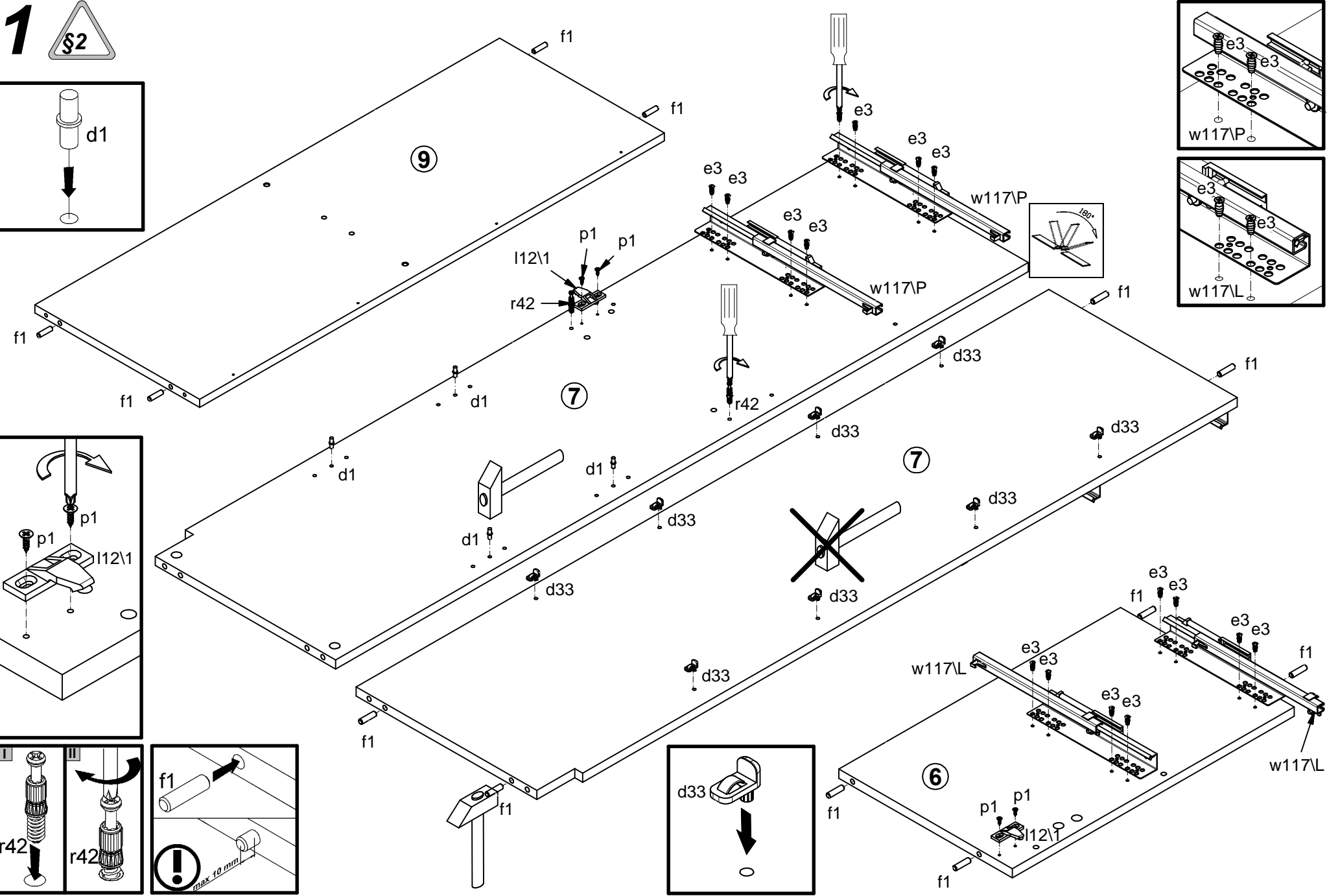
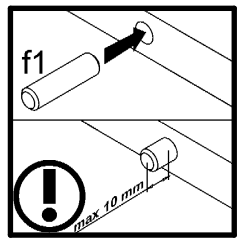
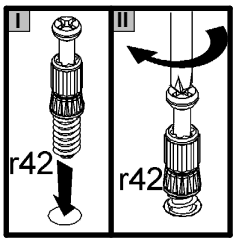
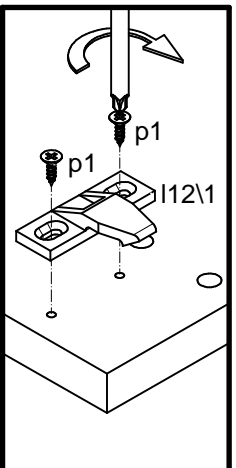
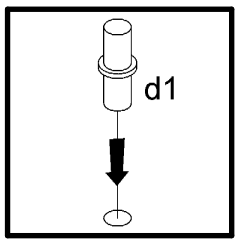
| A | B | C (mm) | | D | A | B | C (mm) | | D |
|----|-----------|--------|-----|-----|----|-----------|--------|-----|-----|
| 26 | S228-9901 | 1420 | 569 | 3/3 | 1 | S228-003 | 514 | 248 | 3/3 |
| 27 | WSP-954 | 485 | 358 | 2/3 | 2 | S228-004 | 1330 | 460 | 3/3 |
| 28 | WSQ5-505 | 350 | 160 | 1/3 | 3 | S228-005 | 746 | 514 | 3/3 |
| 29 | WSQ5-506 | 350 | 160 | 1/3 | 4 | S228-104 | 1494 | 401 | 2/3 |
| 30 | WTQ-5053 | 475 | 147 | 2/3 | 5 | S228-105 | 1494 | 401 | 2/3 |
| 6 | S228-106 | 570 | 351 | 1/3 | 7 | S228-107 | 1400,5 | 381 | 1/3 |
| 8 | S228-202 | 1106 | 401 | 2/3 | 9 | S228-305 | 1074 | 381 | 1/3 |
| 10 | S228-306 | 556 | 381 | 1/3 | 12 | S228-308 | 555 | 376 | 1/3 |
| 11 | S228-307 | 495 | 371 | 1/3 | 13 | S228-402 | 515 | 60 | 3/3 |
| 12 | S228-308 | 555 | 376 | 1/3 | 14 | S228-531 | 147 | 100 | 2/3 |
| 15 | S228-5506 | 401 | 80 | 2/3 | 17 | S228-5510 | 1151 | 80 | 2/3 |
| 16 | S228-5508 | 285 | 80 | 2/3 | 18 | S228-5511 | 990 | 80 | 2/3 |
| 17 | S228-5510 | 1151 | 80 | 2/3 | 19 | S228-5512 | 1072 | 40 | 3/3 |
| 18 | S228-5511 | 990 | 80 | 2/3 | 20 | S228-5513 | 1490 | 80 | 2/3 |
| 19 | S228-5512 | 1072 | 40 | 3/3 | 21 | S228-5514 | 1490 | 80 | 2/3 |
| 20 | S228-5513 | 1490 | 80 | 2/3 | 22 | S228-5515 | 1490 | 58 | 2/3 |
| 21 | S228-5514 | 1490 | 80 | 2/3 | 23 | S228-5516 | 1500 | 58 | 2/3 |
| 22 | S228-5515 | 1490 | 58 | 2/3 | 24 | S228-5517 | 517,5 | 60 | 2/3 |
| 23 | S228-5516 | 1500 | 58 | 2/3 | 25 | S228-903 | 1420 | 515 | 3/3 |
| 24 | S228-5517 | 517,5 | 60 | 2/3 | | | | | |
| 25 | S228-903 | 1420 | 515 | 3/3 | | | | | |

| | | | | | | | |
|----------|----------|---------|---------|---------|---------|----------|---------|
| 5x a132 | 2x a133 | 5x b43 | 4x c280 | 8x d1 | 16x d33 | 4x d36 | 9x e1 |
| 10x e2 | 16x e3 | 24x e22 | 37x f1 | 16x f13 | 8x f25 | 8x j30 | 7x k1 |
| 2x k101 | 18x l1 | 2x l121 | 2x l122 | 16x l2 | 4x o21 | 11x n108 | 4x o851 |
| 1x o803 | 1x o804 | 8x p1 | 3x p9 | 2x p25 | 2x p35 | 10x p38 | 18x p51 |
| 11x p55 | 4x p79 | 19x r1 | 8x r15 | 27x r42 | 14x s1 | 10x s2 | 2x t35 |
| 2x w117L | 2x w117P | 1x z1 | 1x z15 | 1x f35 | 1x n14 | 1x p17 | |

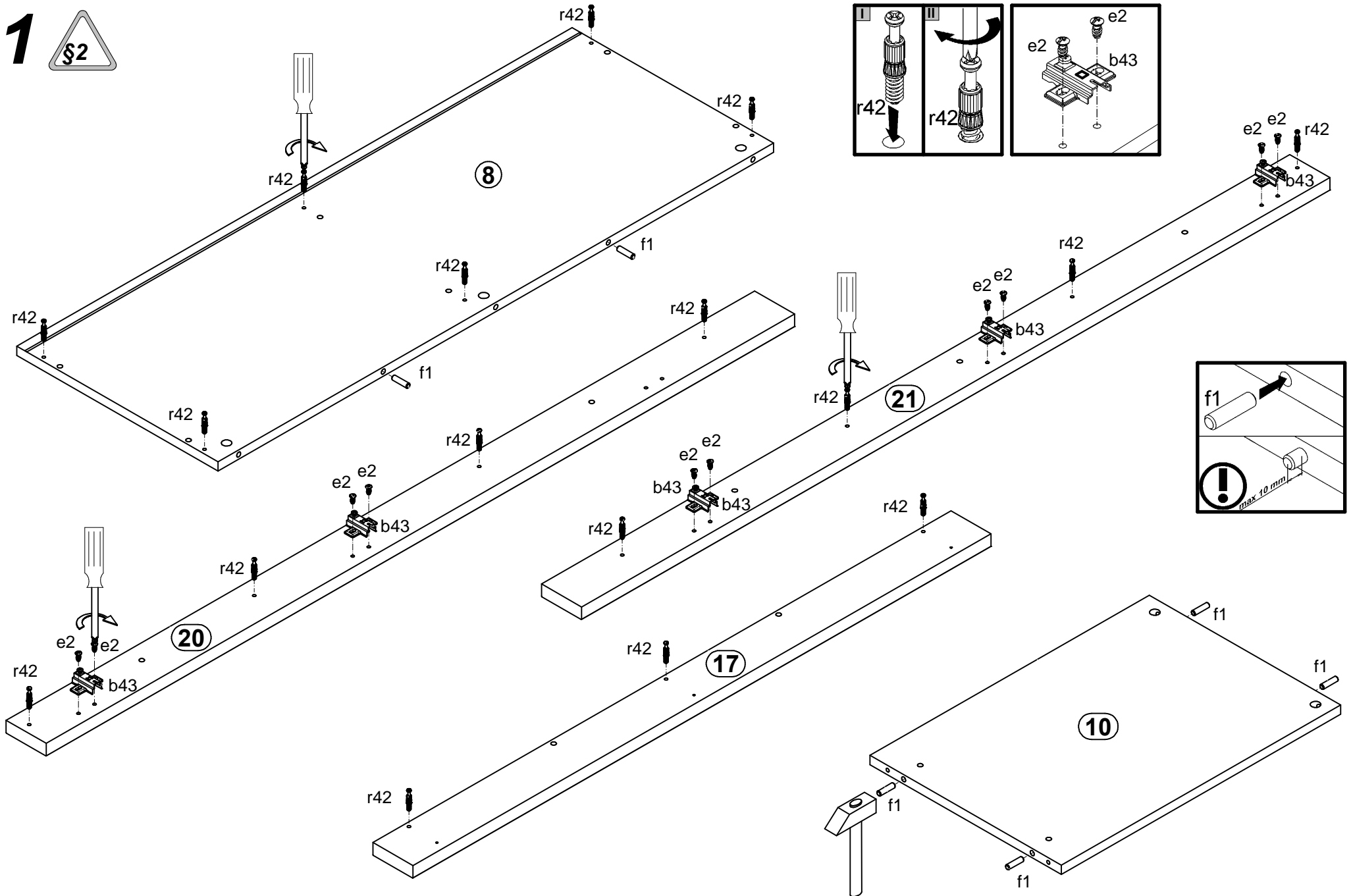
1 



1 §2

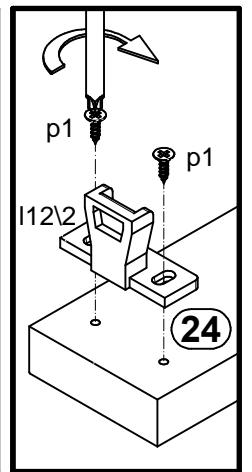
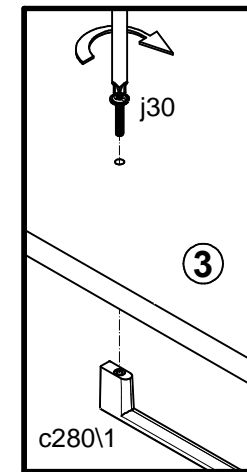
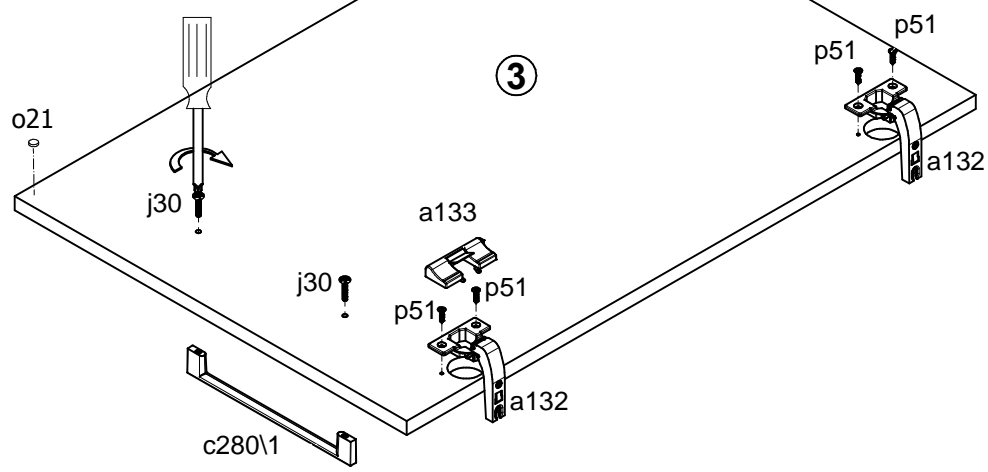
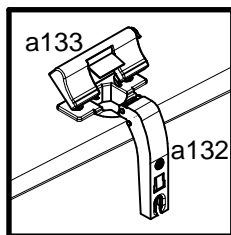
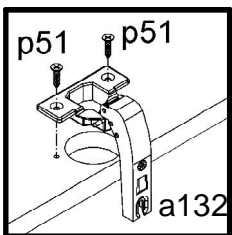
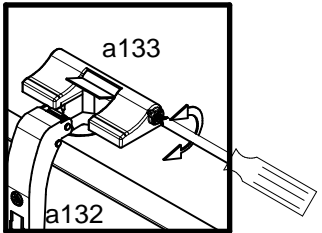
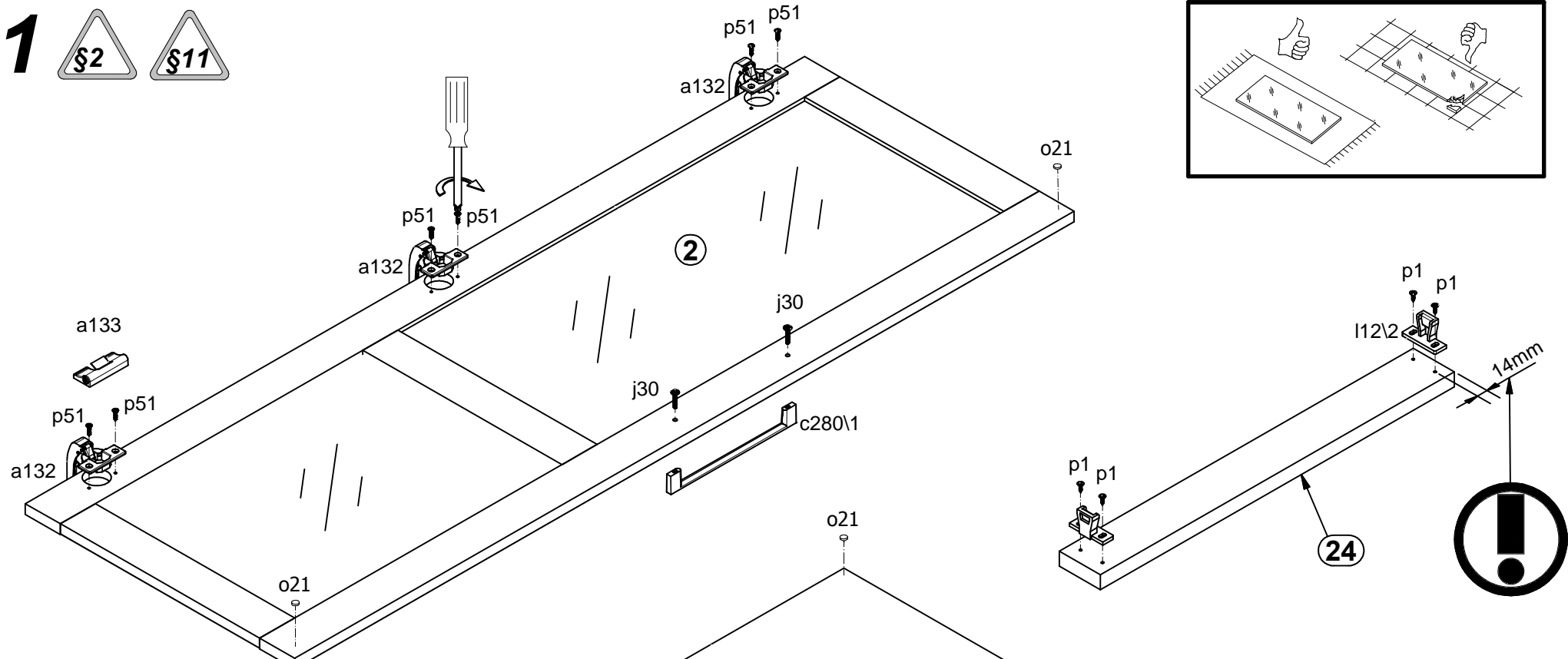


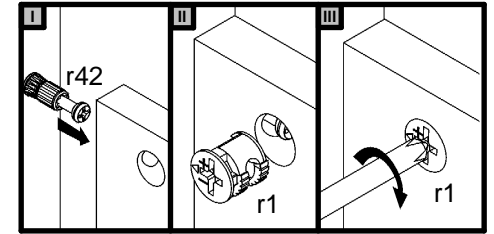
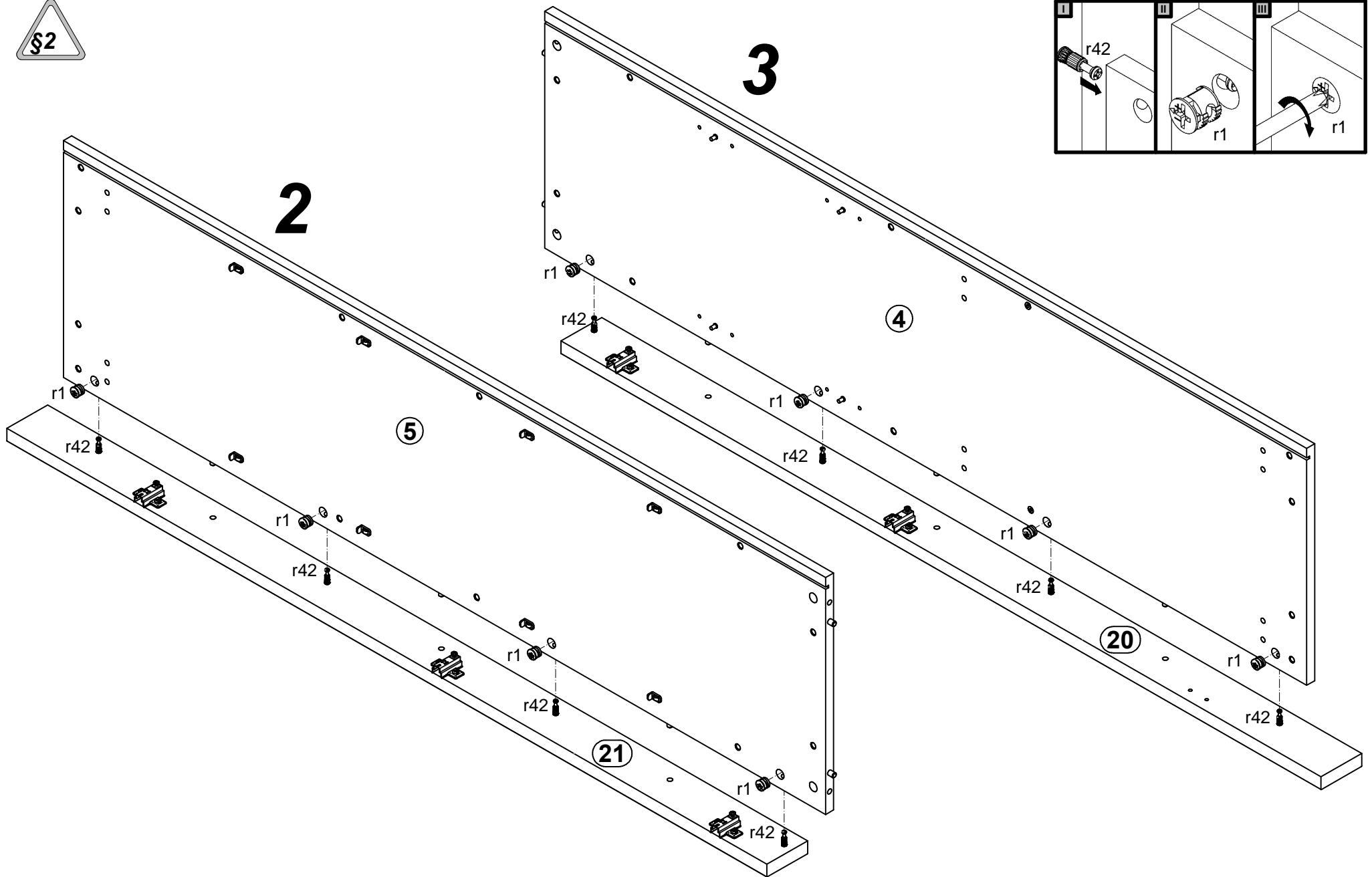
1 





1



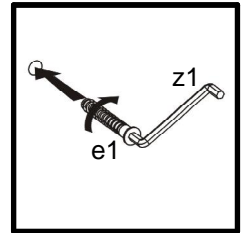
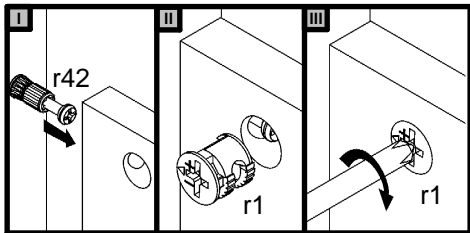
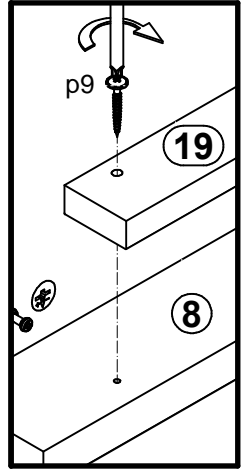
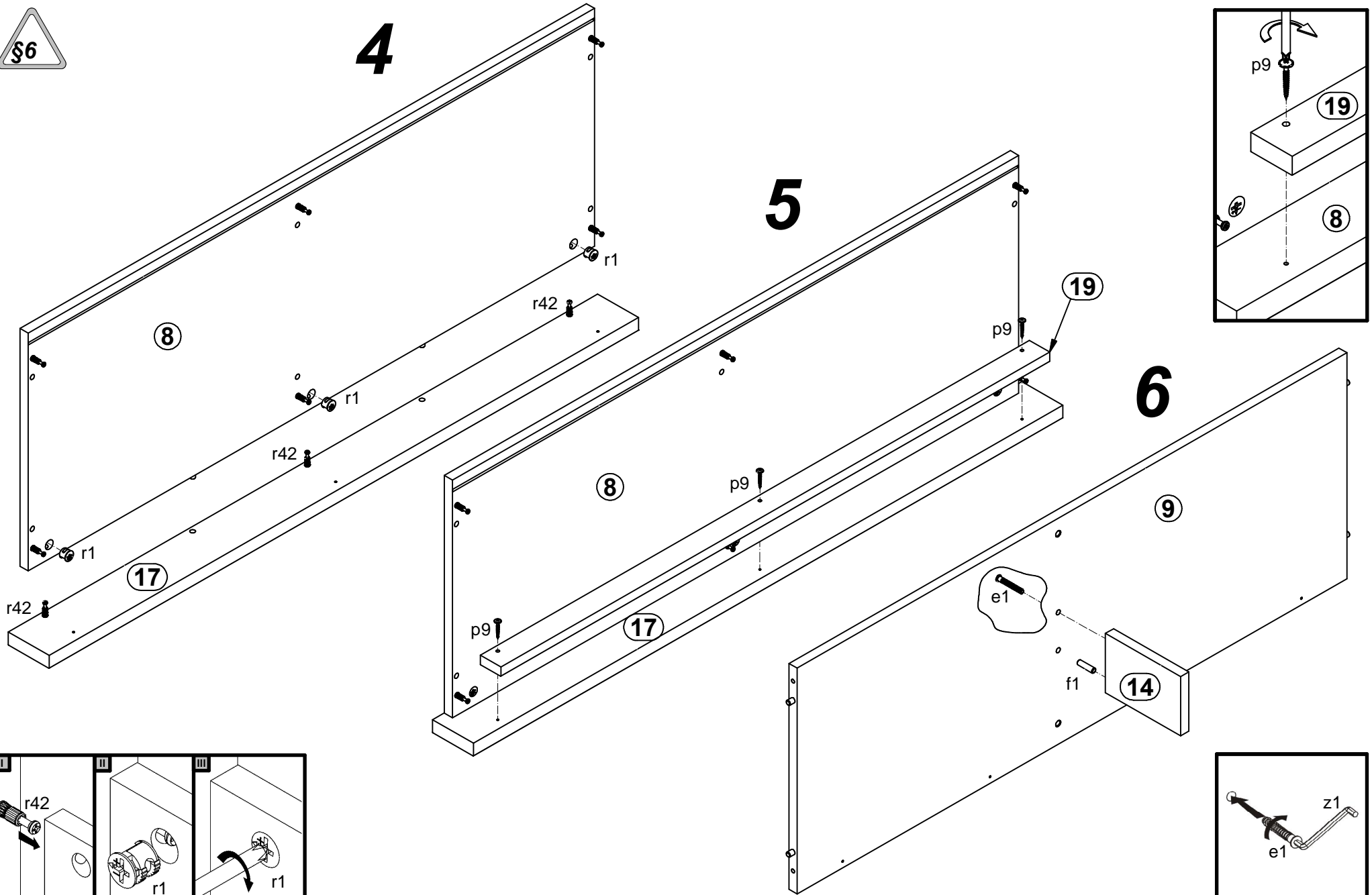


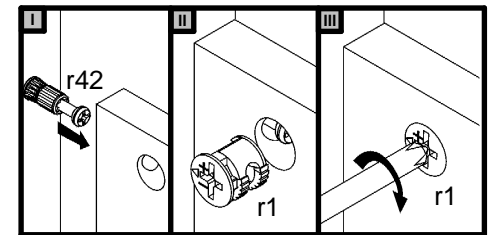
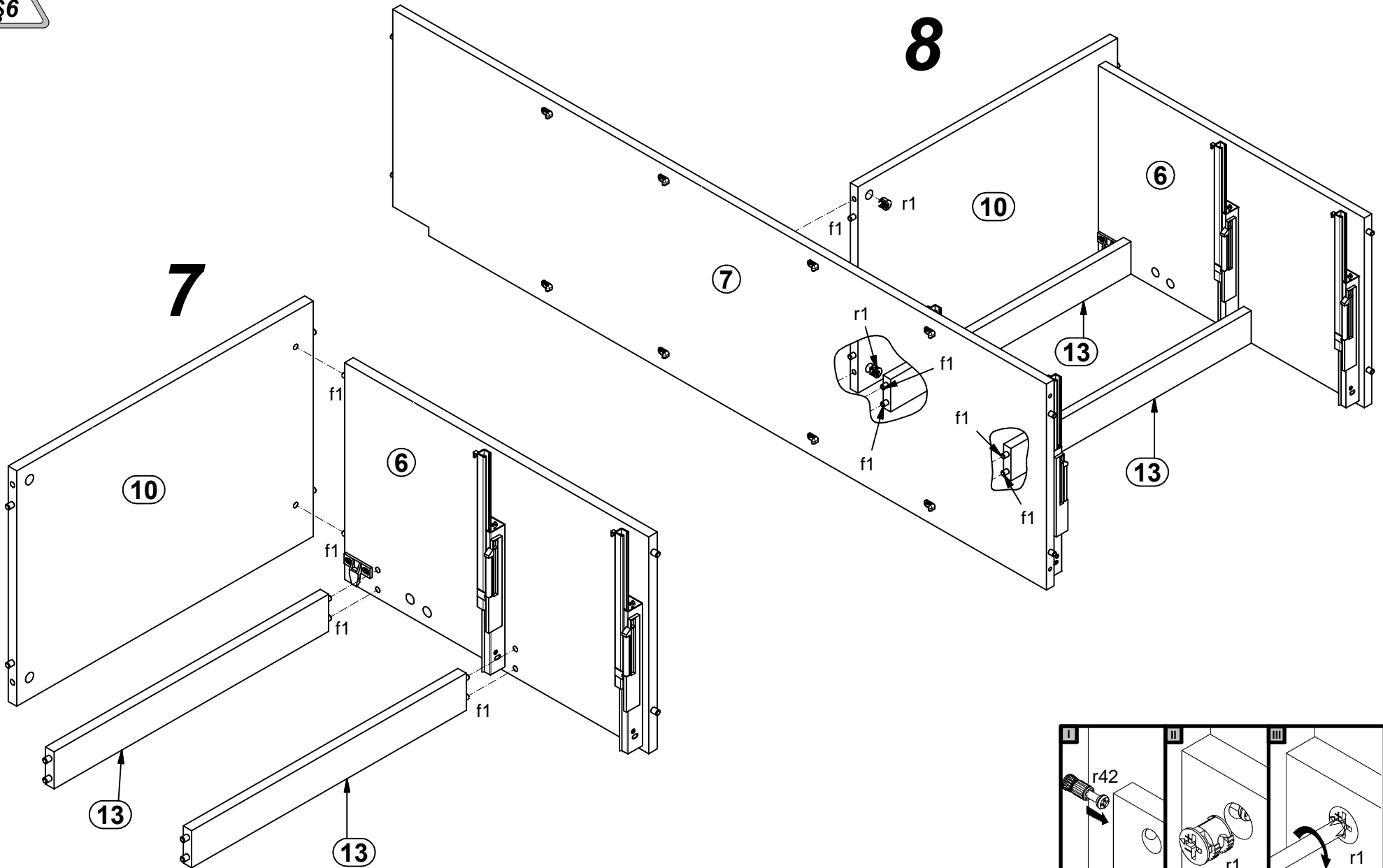


4

5

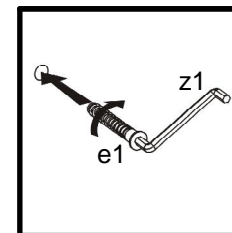
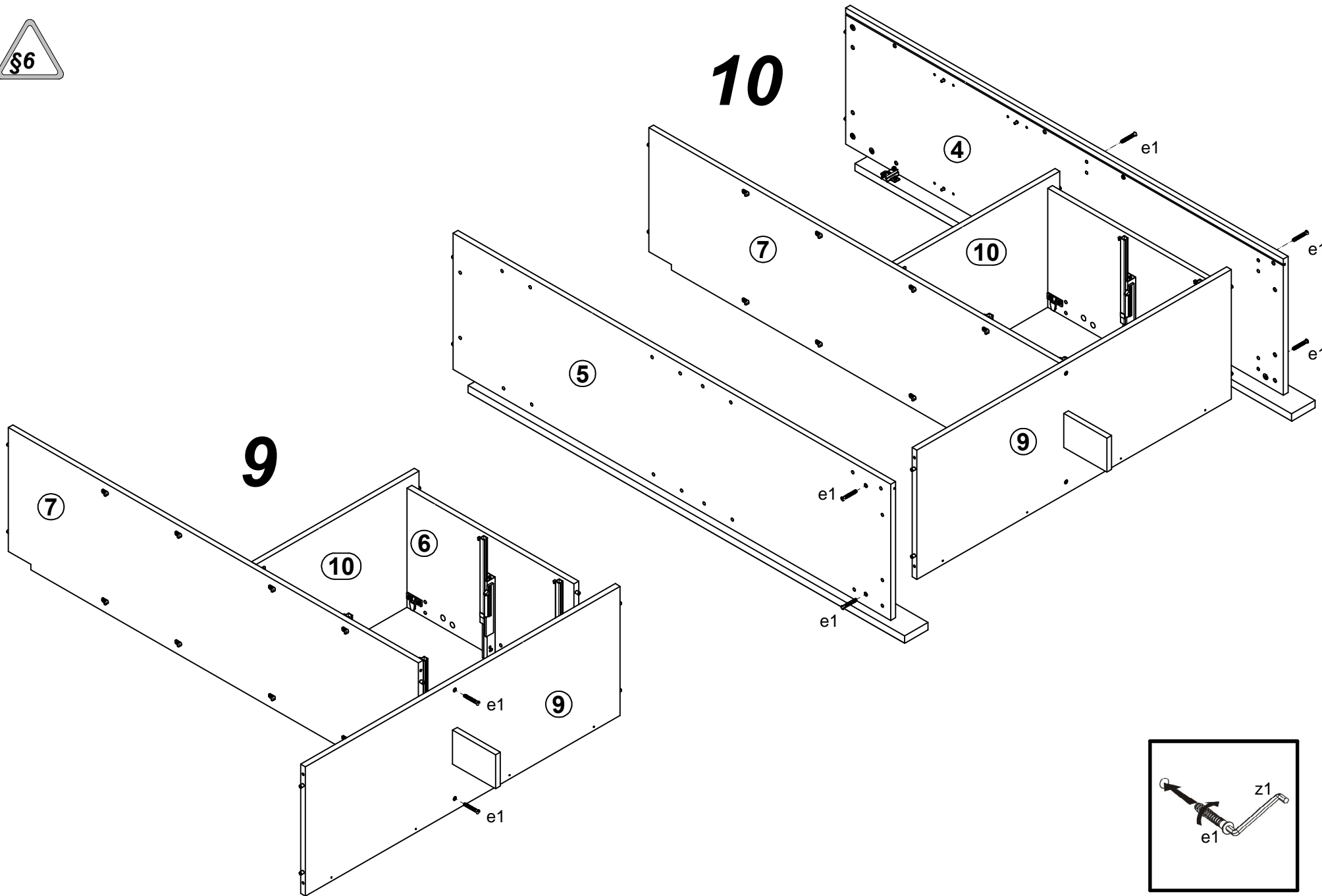
6

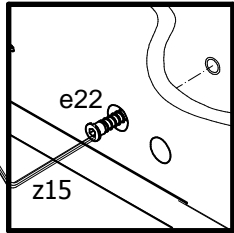
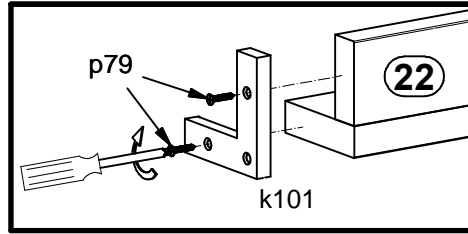






10





11

23

f13

p79

k101

5

e22

e22

e22

7

9

22

23

e22

f13

e22

f13

e22

f13

e22

5

22

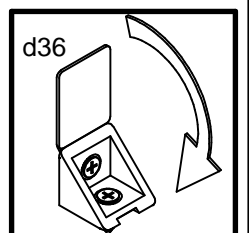
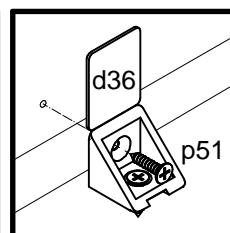
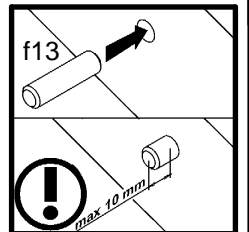
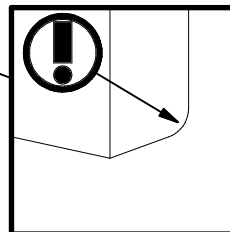
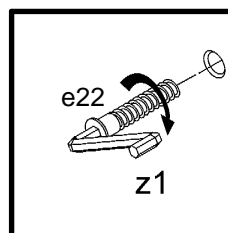
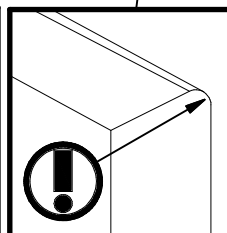
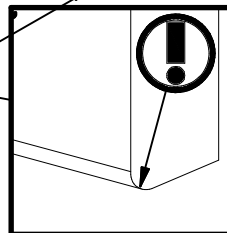
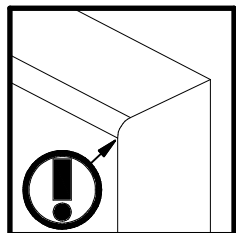
f13

f13

e22

9

e22



12

7

4

9

18

p79

p79

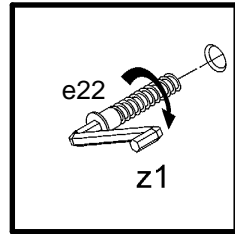
k101

d36

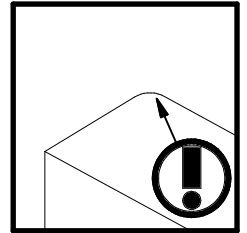
p51

d36

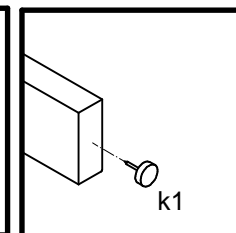
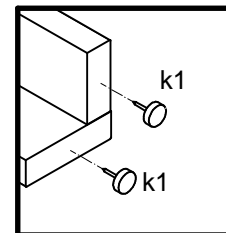
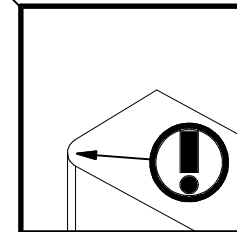
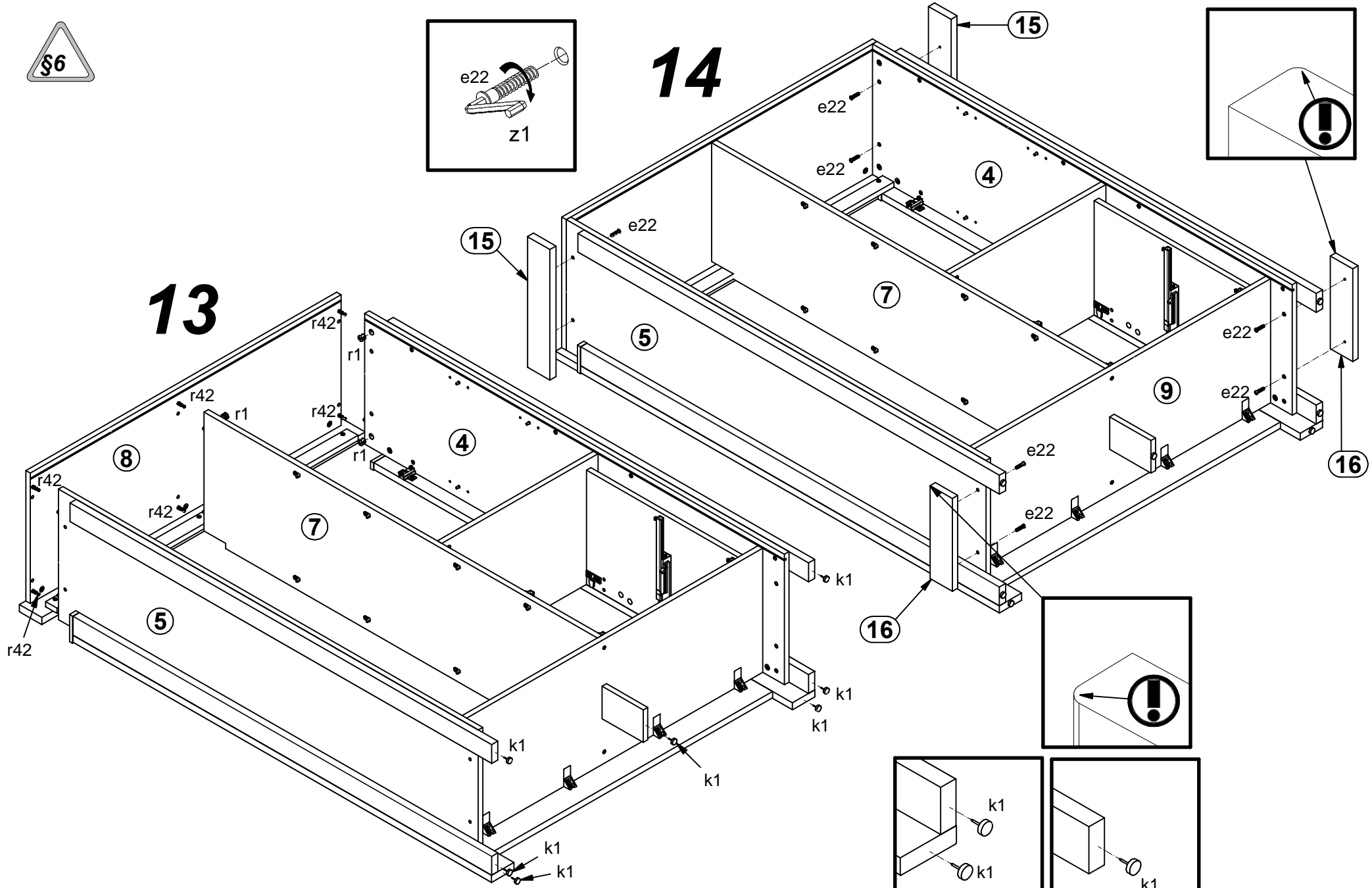
p51

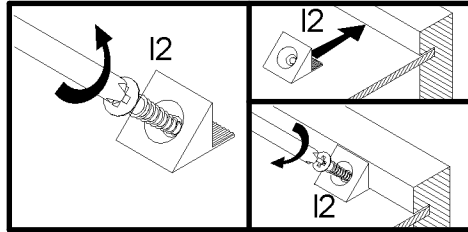


14

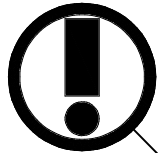
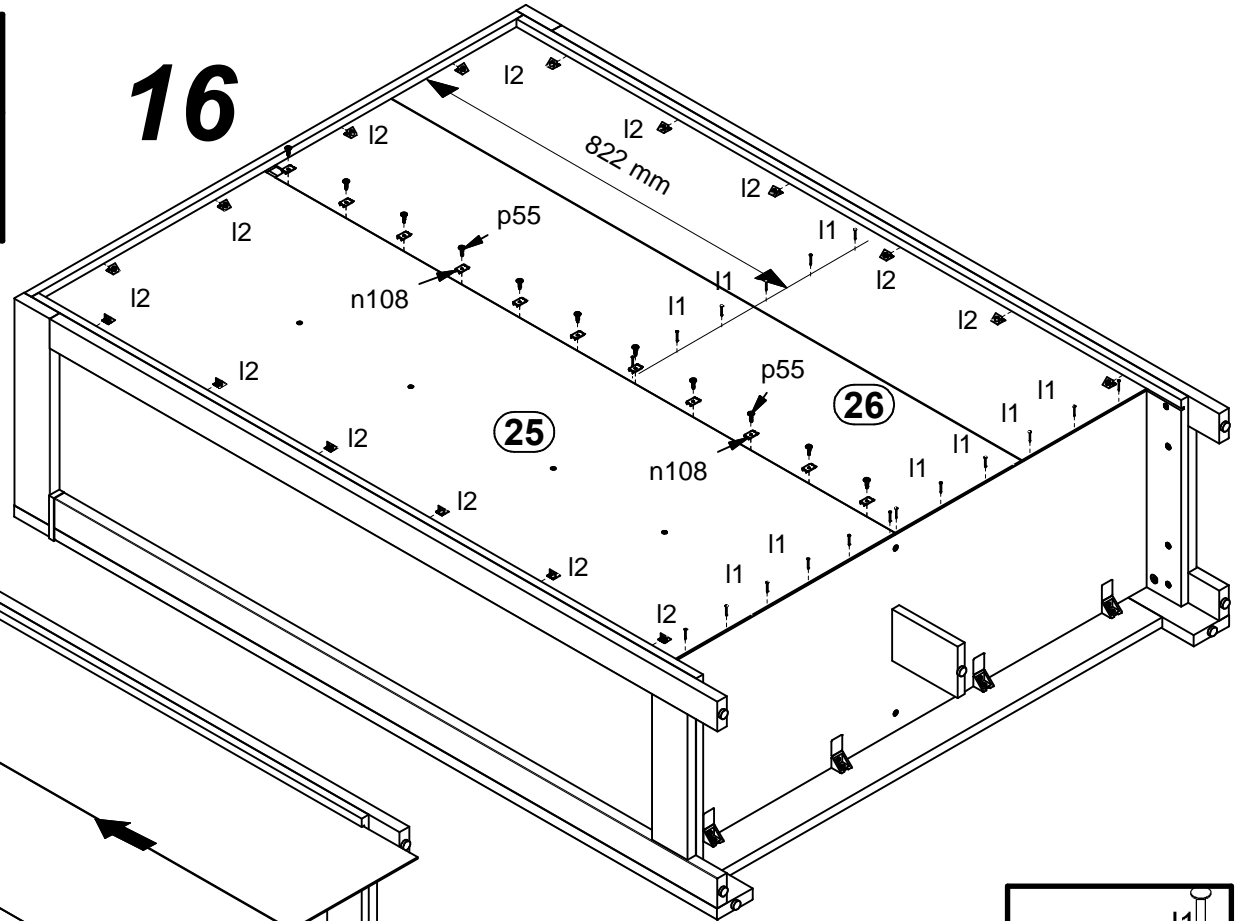


13

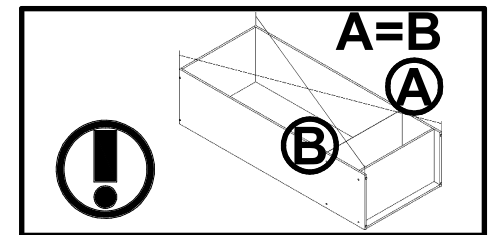
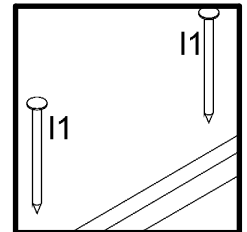
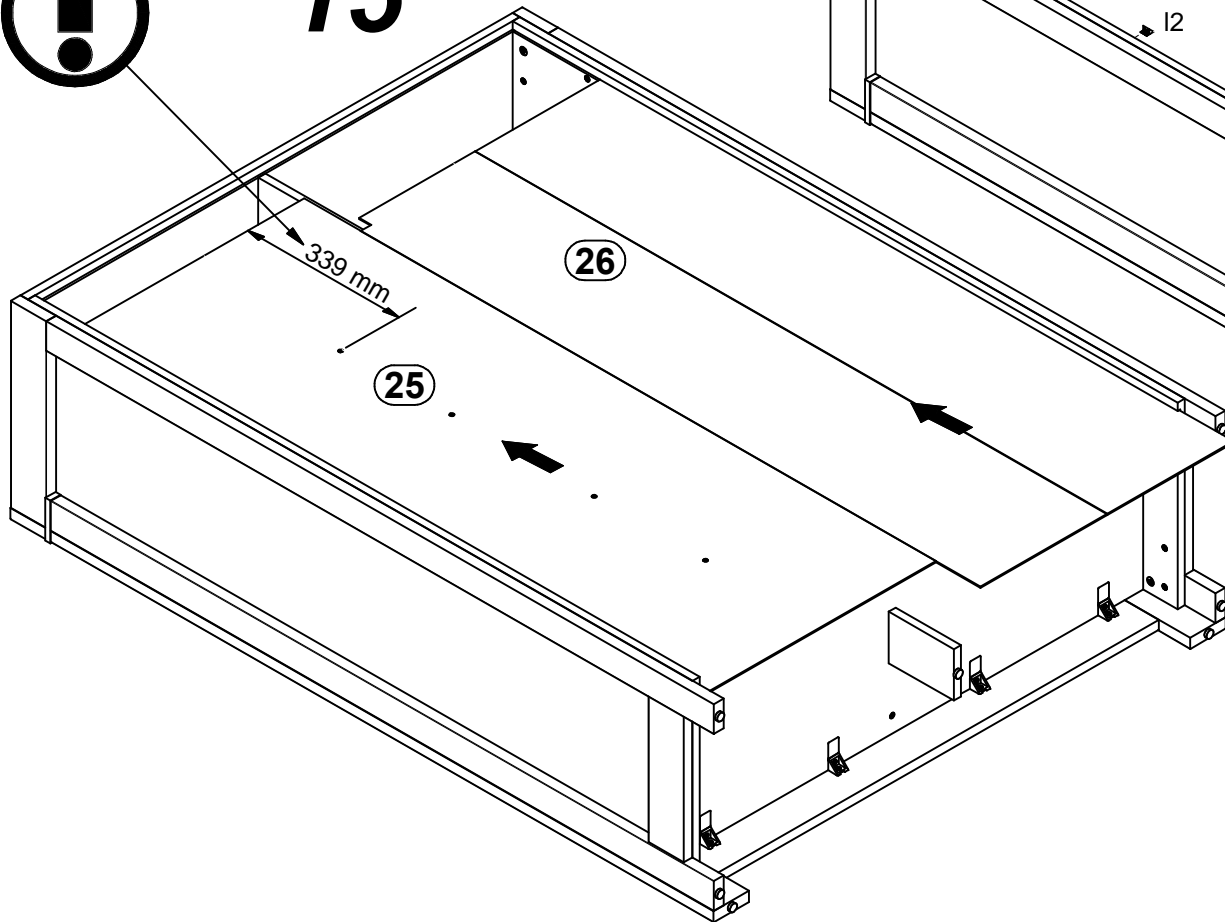




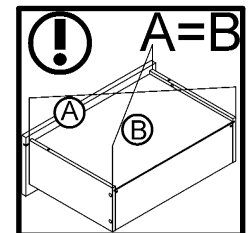
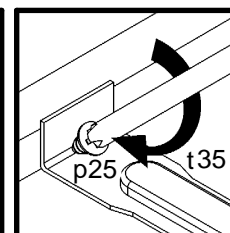
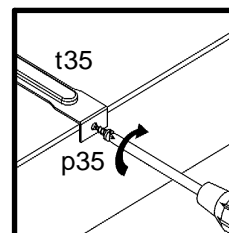
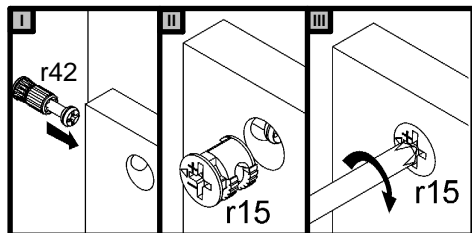
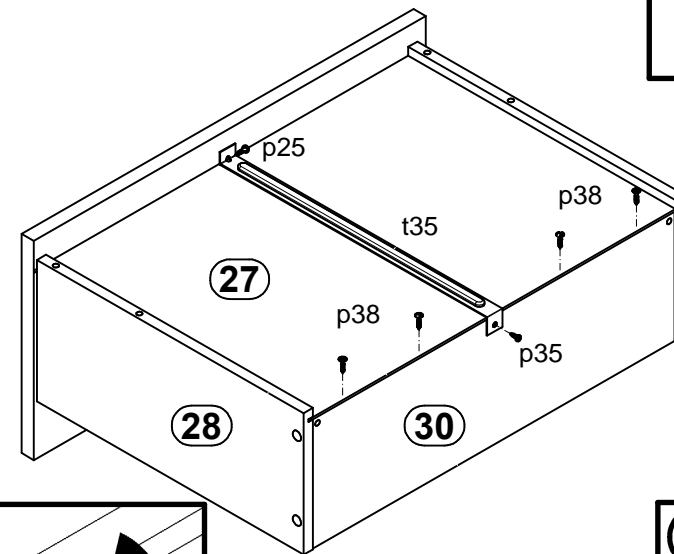
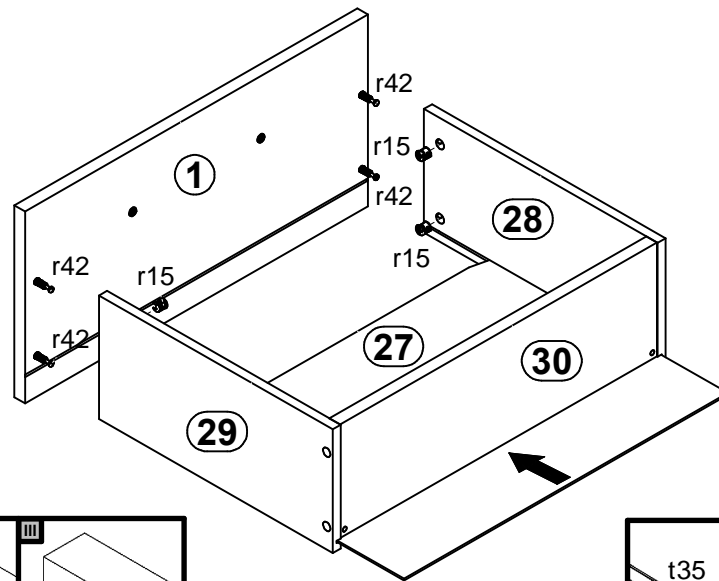
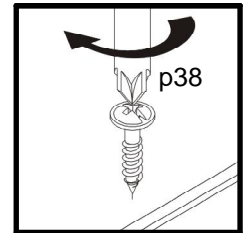
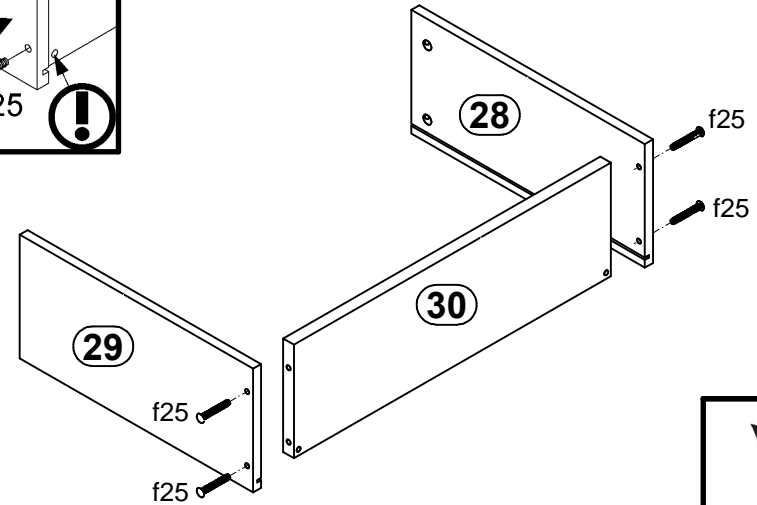
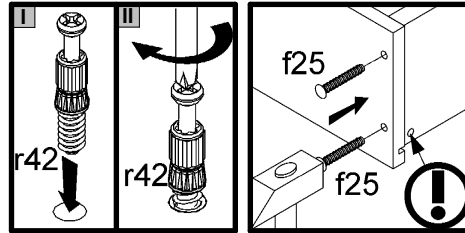
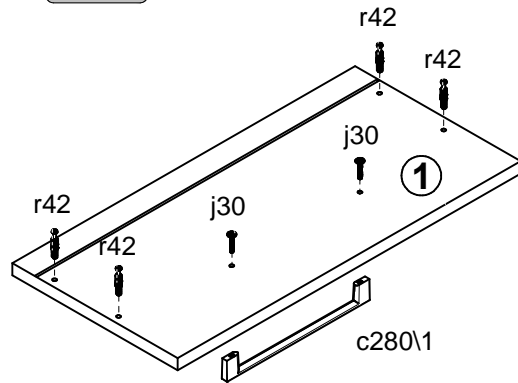
16



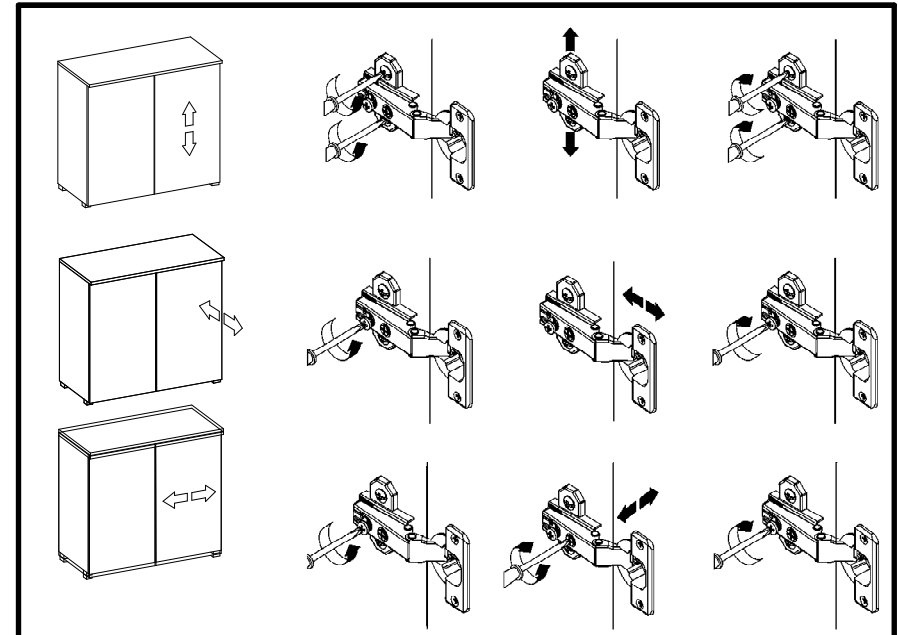
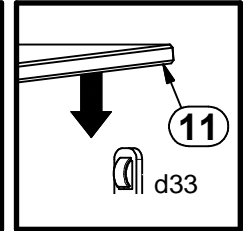
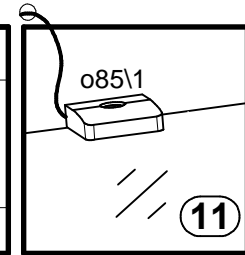
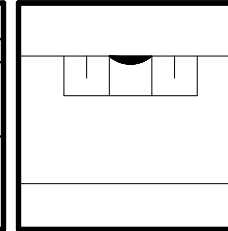
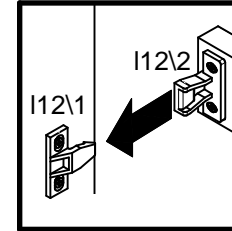
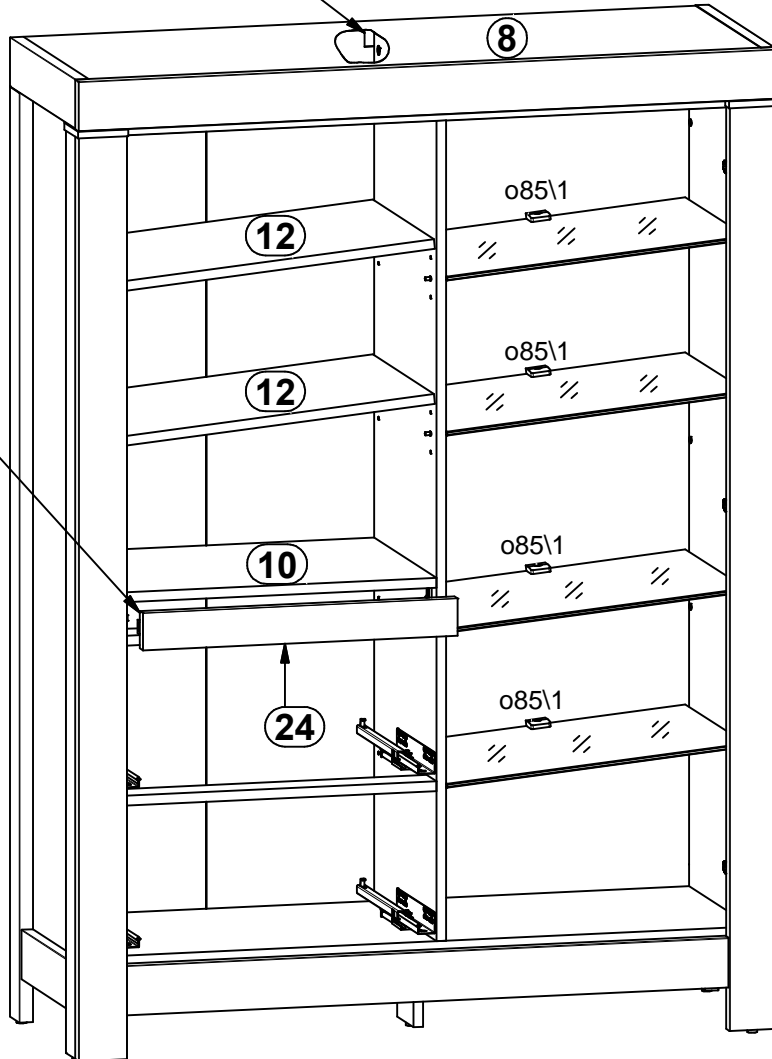
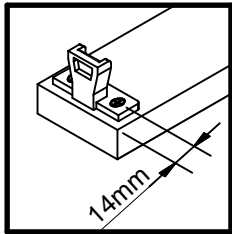
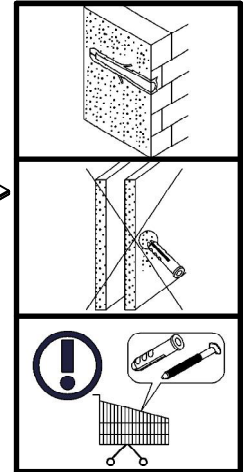
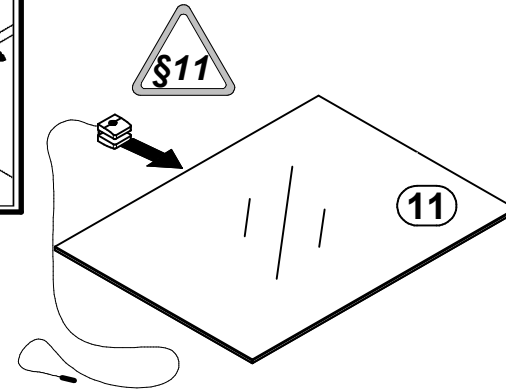
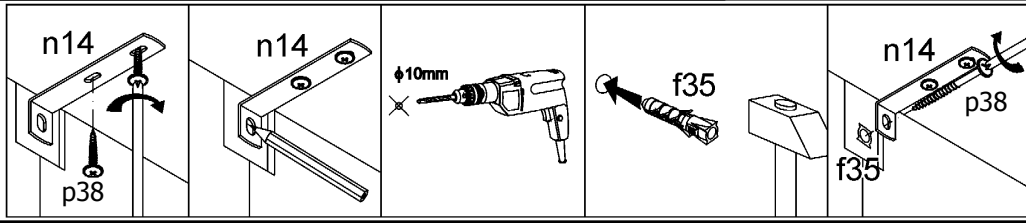
15



17



18



19

