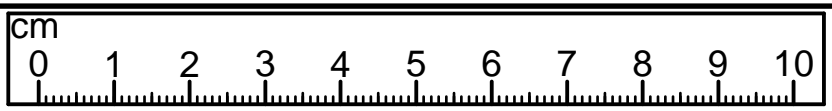
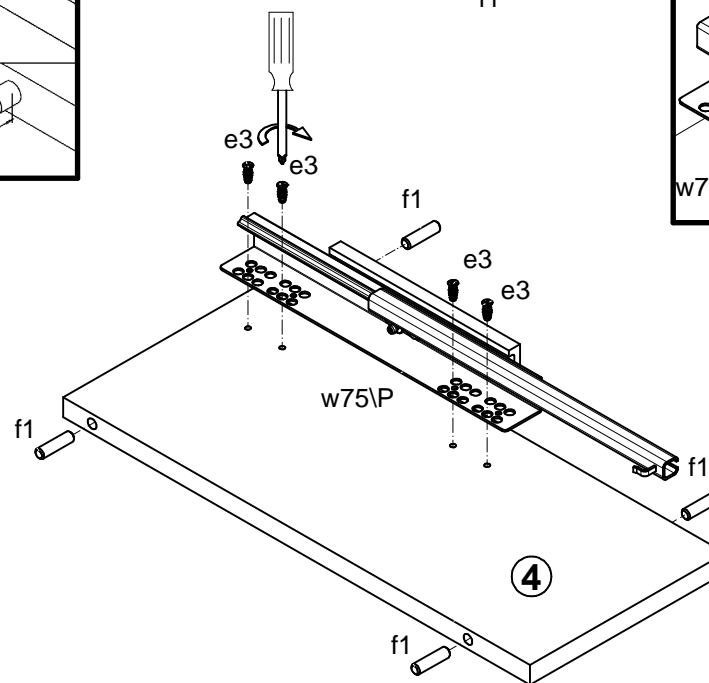
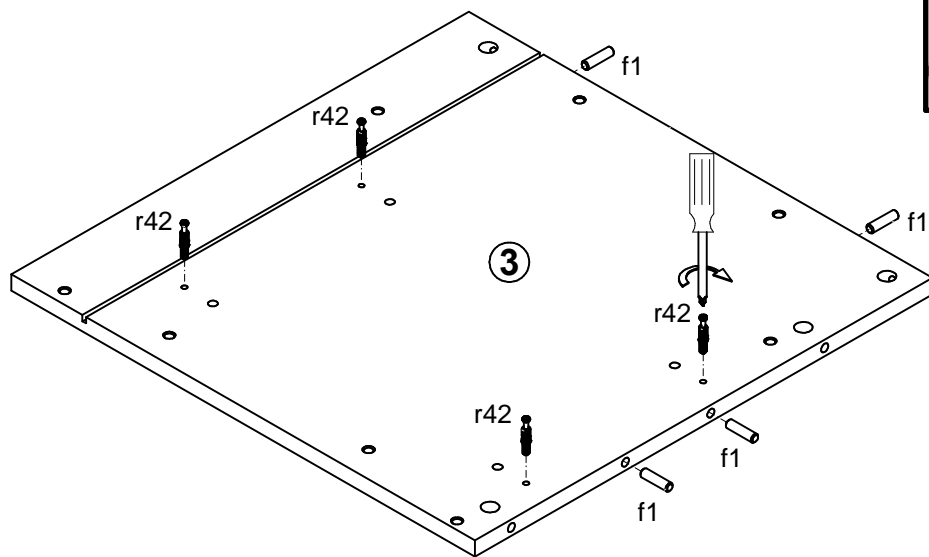
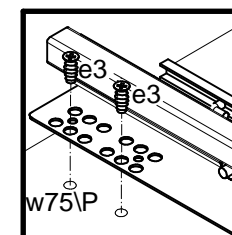
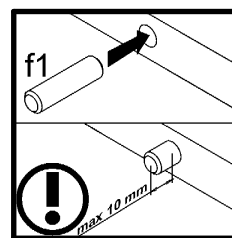
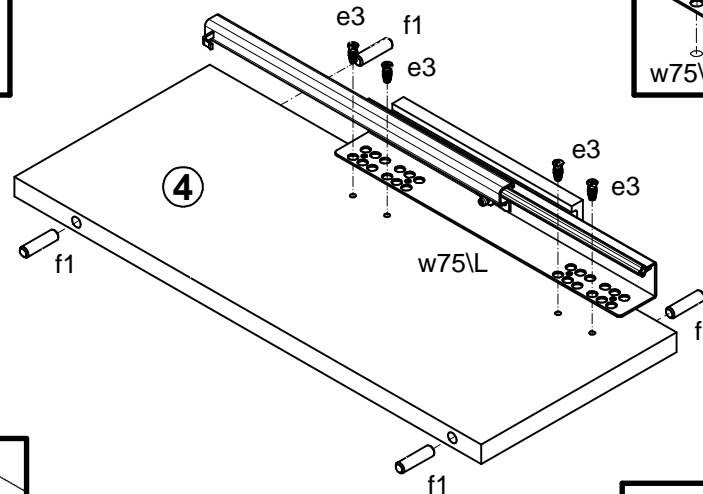
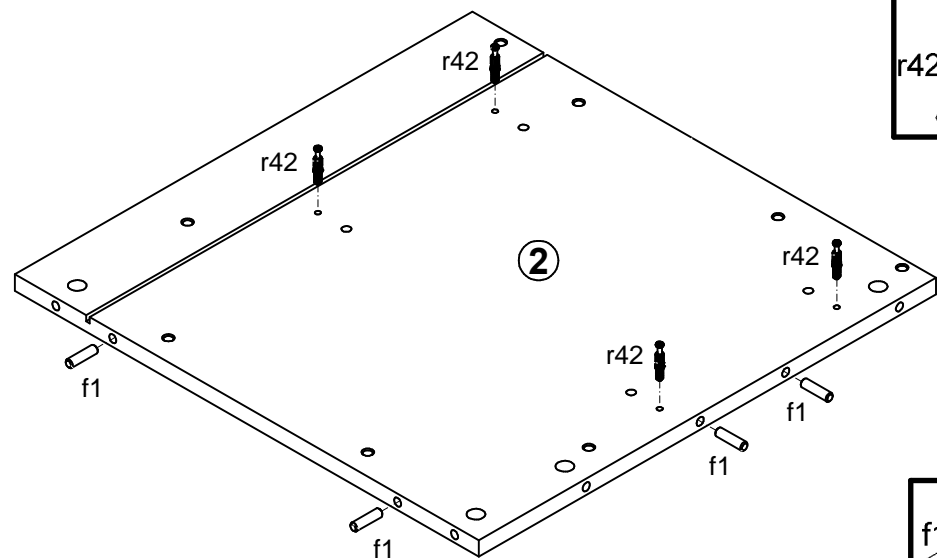
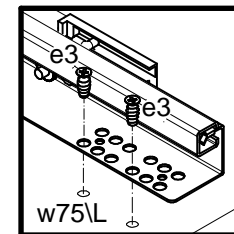
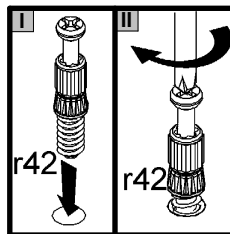


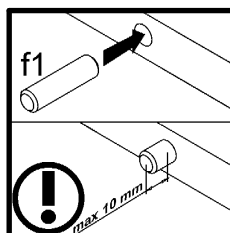
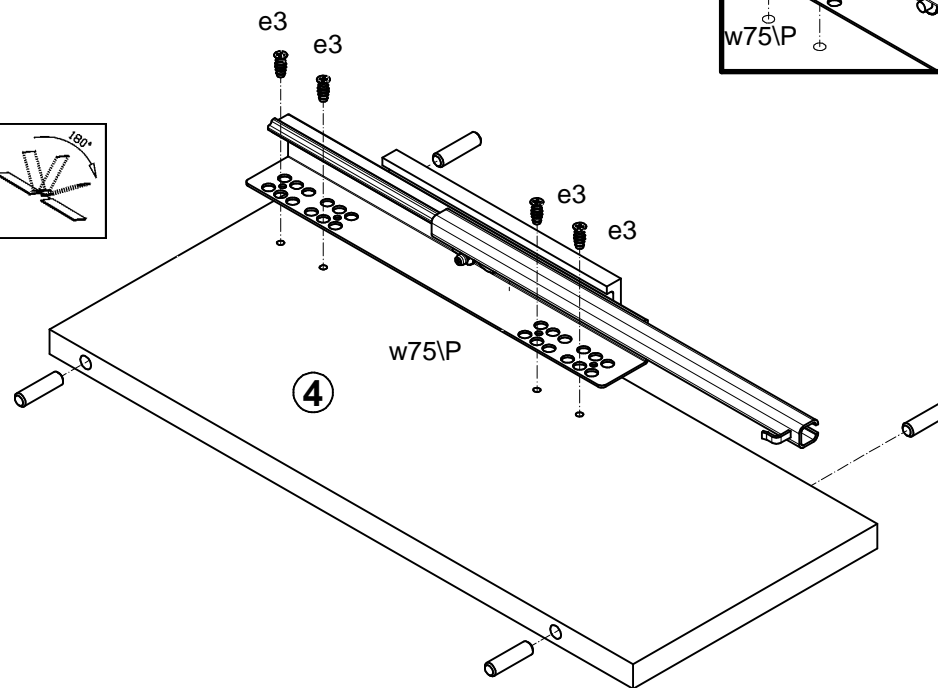
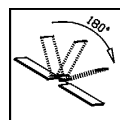
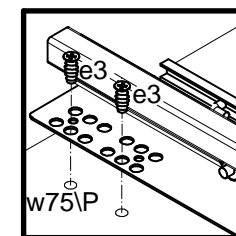
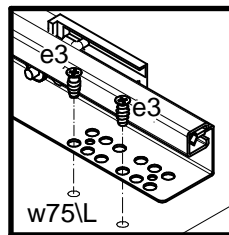
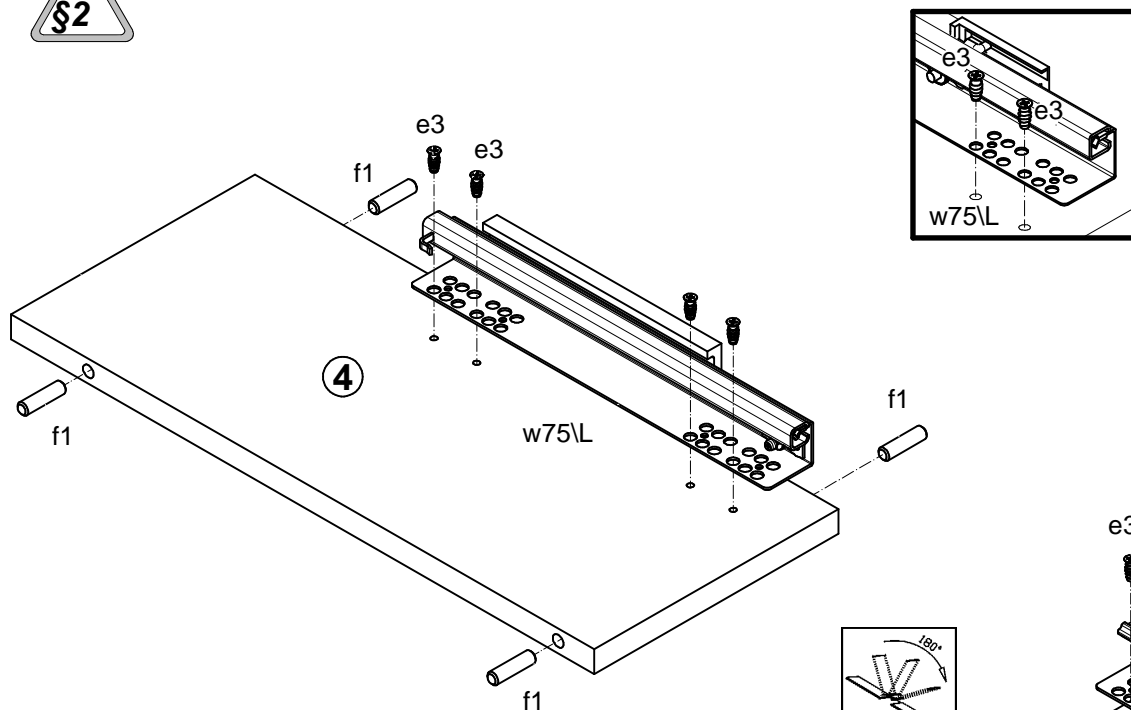
A	B	C (mm)		D
1	S228-006	604	192	2/2
2	S228-108	514	521	1/2
3	S228-109	514	521	1/2
4	S228-110	183	437	2/2
5	S228-111	222,5	300	1/2
6	S228-204	1341	521	1/2
7	S228-312	1309	437	2/2
8	S228-311	1309	437	2/2
9	S228-531	147	100	1/2
10	S228-5527	1386	80	1/2
11	S228-5528	1226	80	1/2
12	S228-5529	1300	40	2/2
13	S228-5521	511	80	1/2
14	S228-5522	511	80	1/2
15	S228-5523	521	80	1/2
16	S228-5524	521	58	1/2
17	S228-5525	405	80	1/2
18	S228-5526	511	58	1/2
19	S228-905	1319	440	1/2
20	WSP-957	568	408	2/2
21	WSQ4-507	400	140	2/2
22	WSQ4-508	400	140	2/2
23	WTQ-5054	558	127	2/2

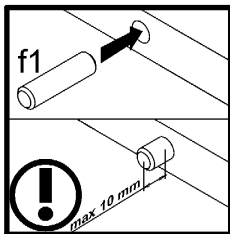
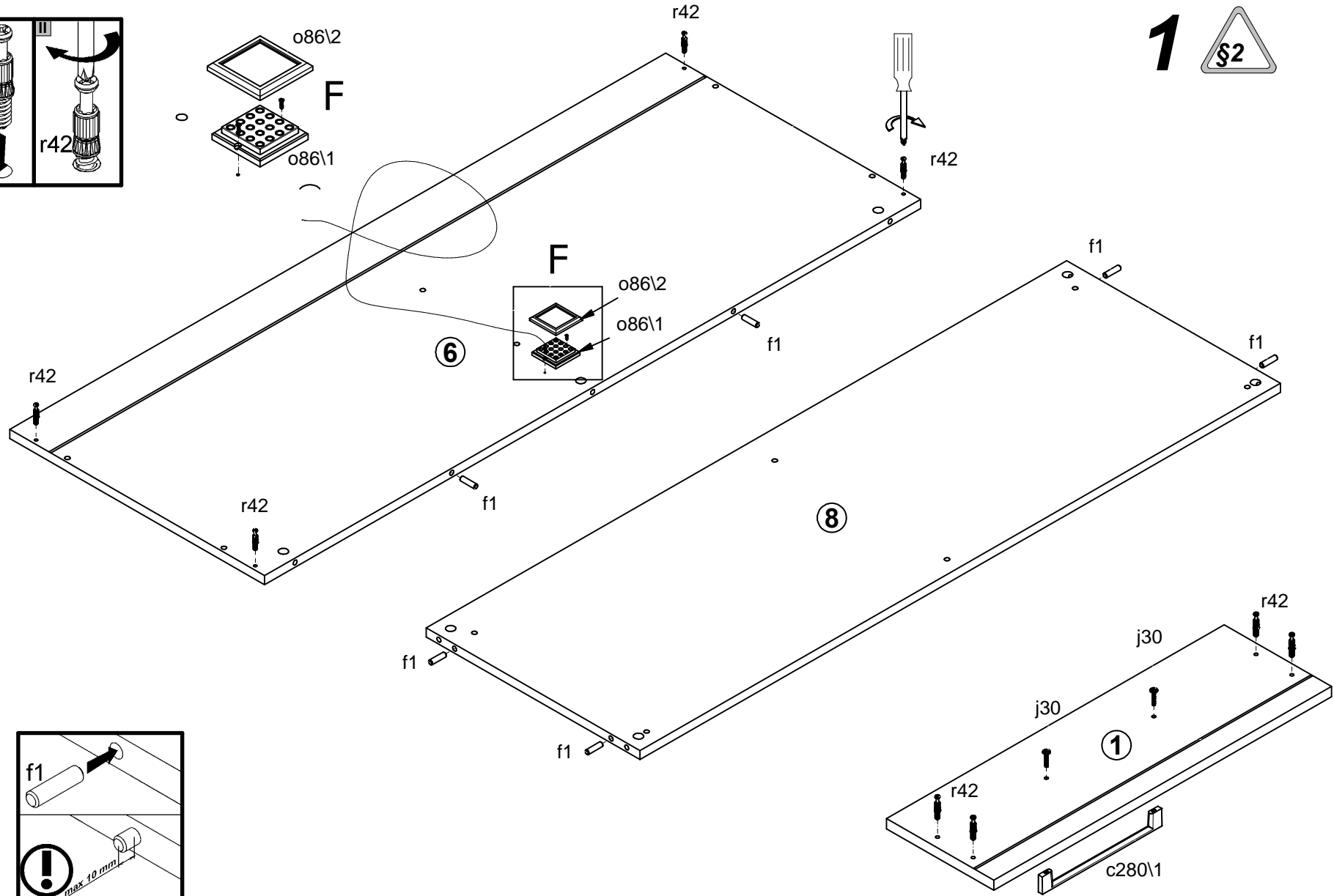
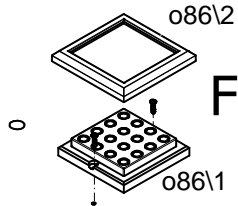
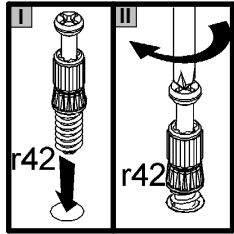


2x 192mm c280\1	4x d36	1x Ø7x50 mm e1	16x Ø6x13 mm e3	16x Ø7x28 mm e22	35x Ø8x30 mm f1	8x Ø8x20 mm f13	8x Ø6,5x40 mm f25	4x M4x22 mm j30	7x k1	2x 83x83x11 k101	25x l1	10x i2
1x o660\1	1x o660\2	1x 5W o75\2	1x o80\3	2x Ø3,5x16 mm p25	2x Ø3,5x10 mm p35	12x Ø3,5x16 mm p38	8x Ø3,5x15 mm p51	4x Ø4x25 mm p8	19x Ø15x12 mm #16 r1	8x Ø12x10,5 mm #12 r15	27x r42	2x 400 mm t33
2x 400 mm w75L	2x 400 mm w75P	1x z1	4x Ø3,5x20 mm p79	2x s1	2x s2							

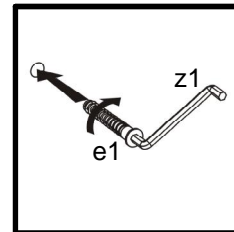
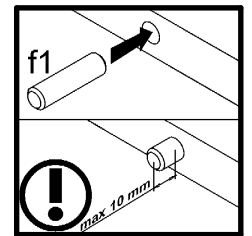
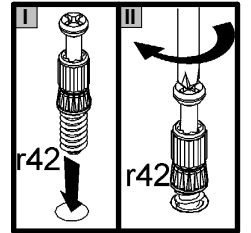
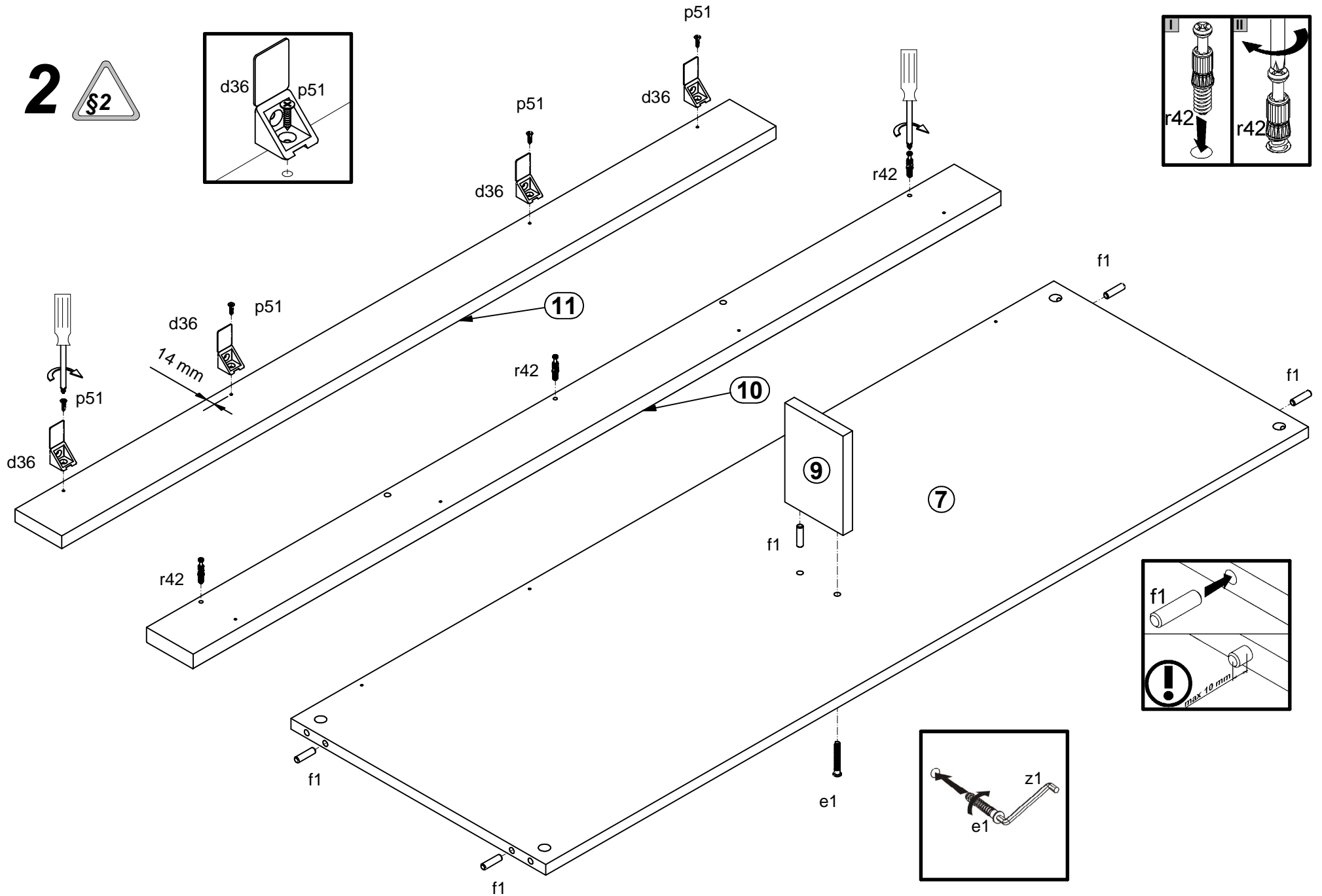
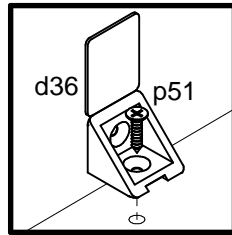


1

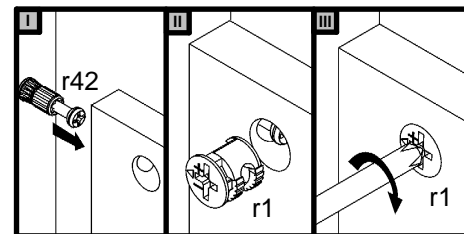
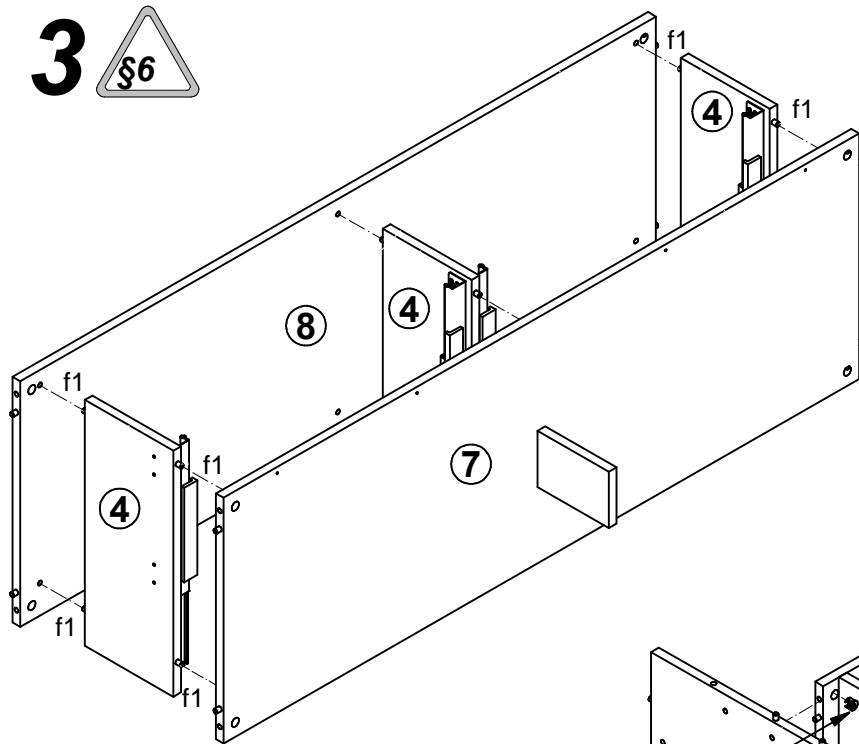




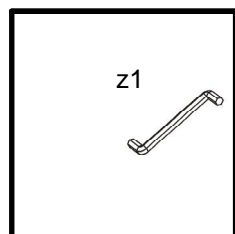
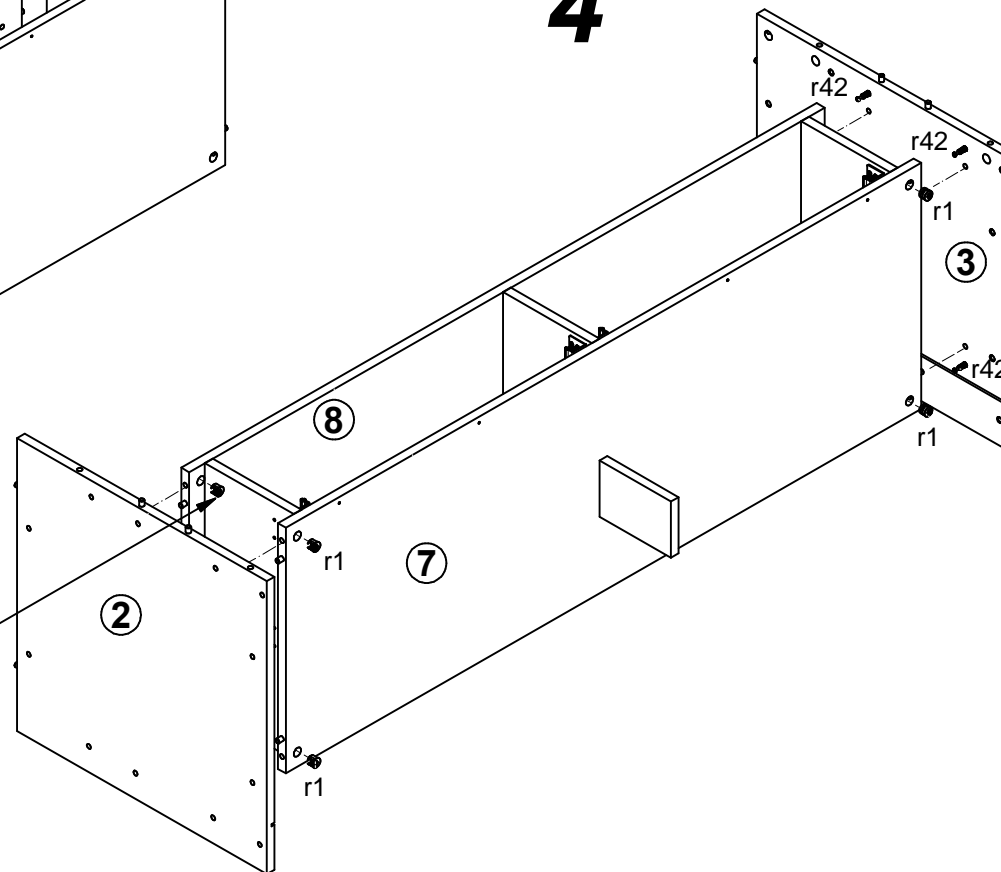
2 

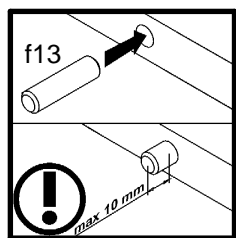


3 

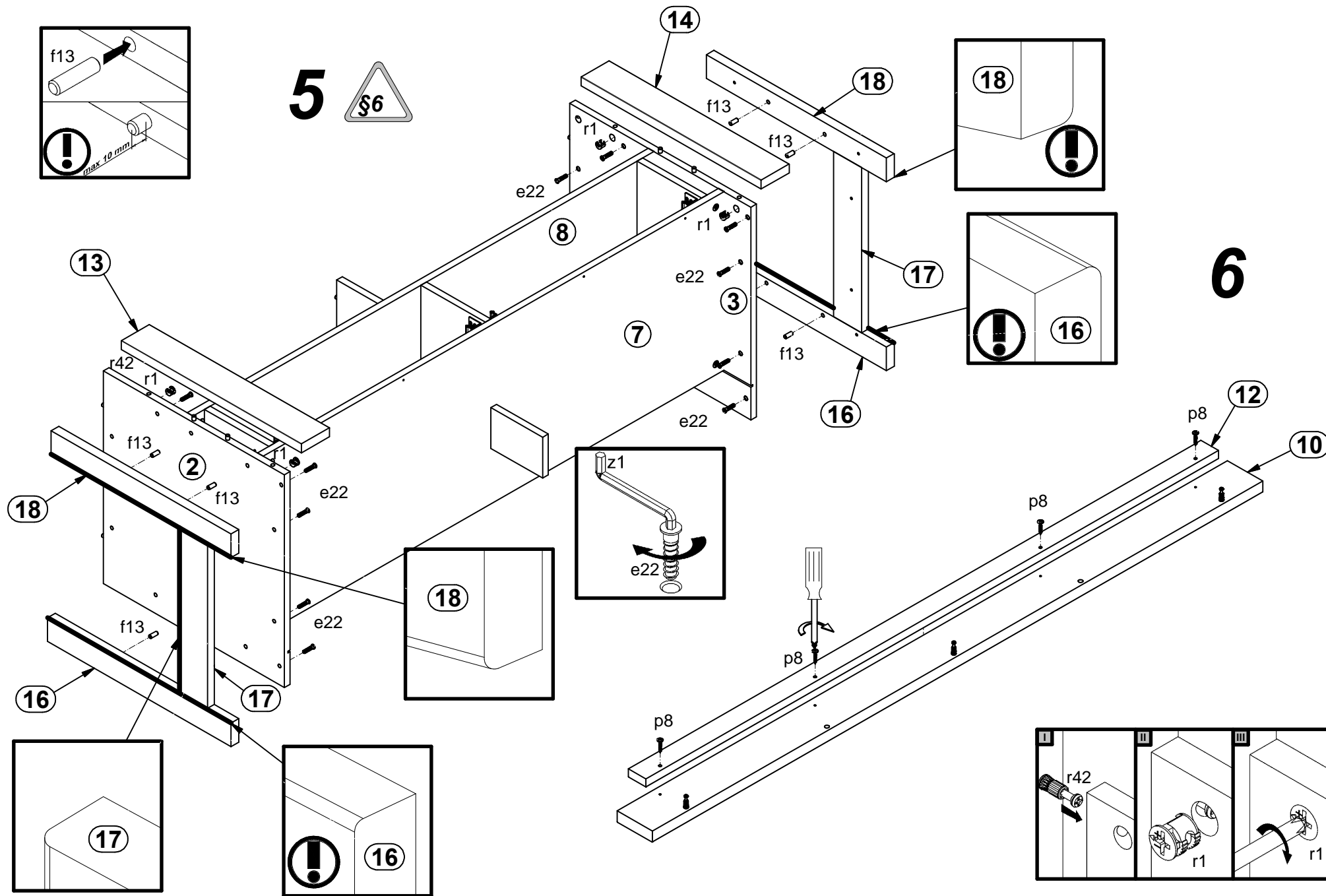


4



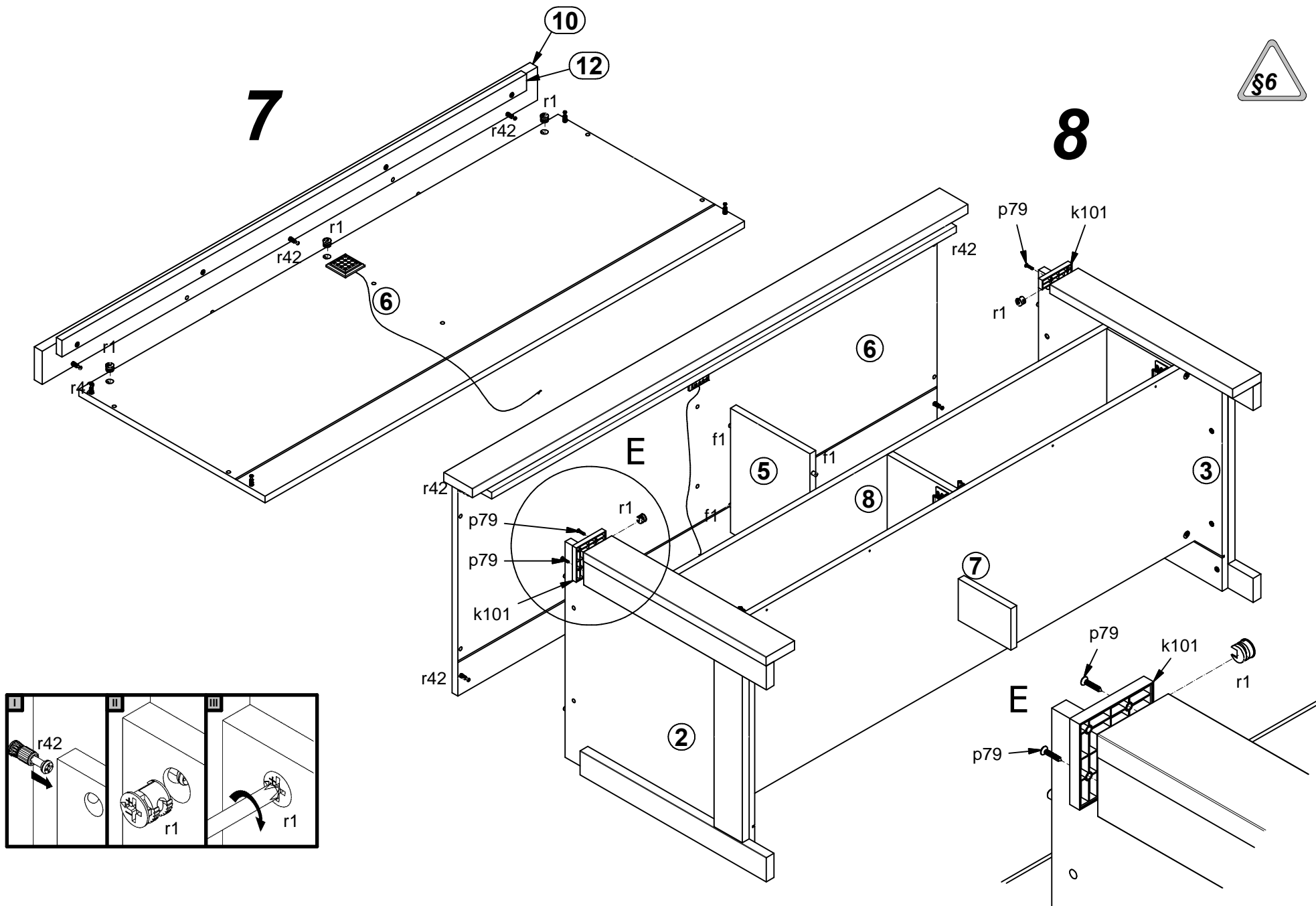


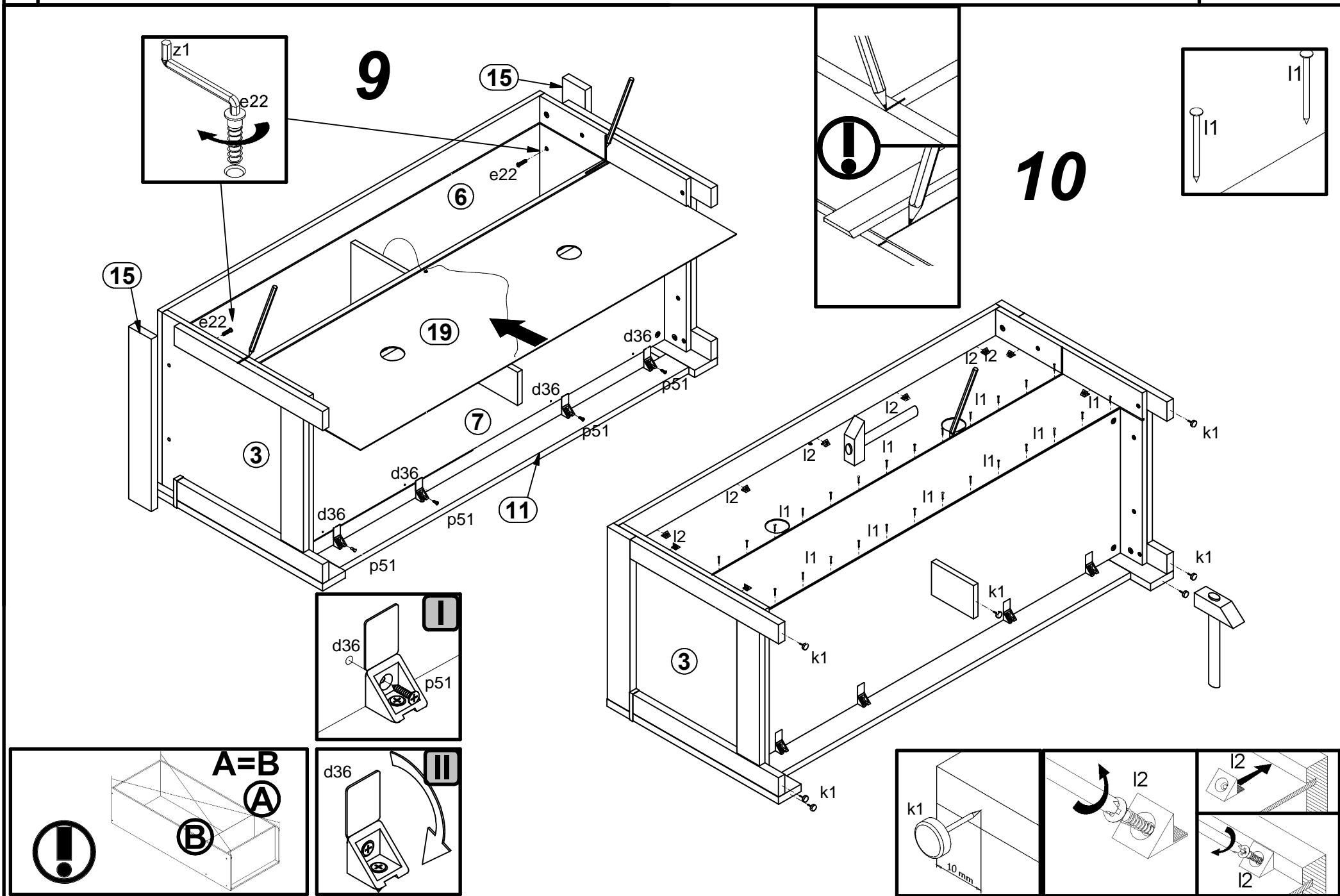
**5**



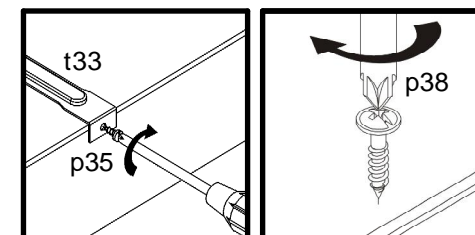
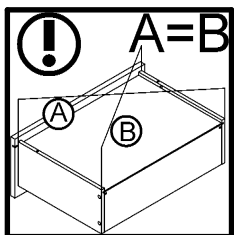
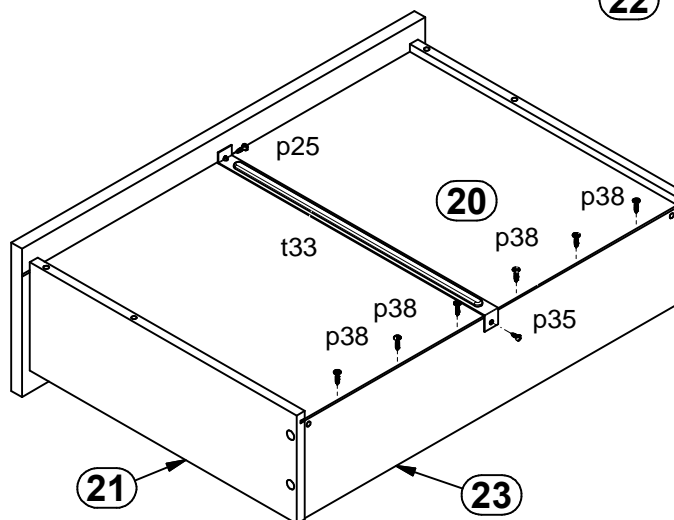
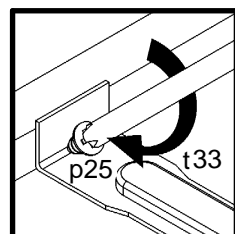
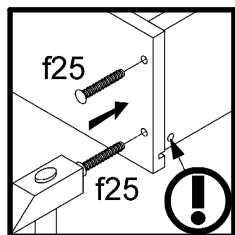
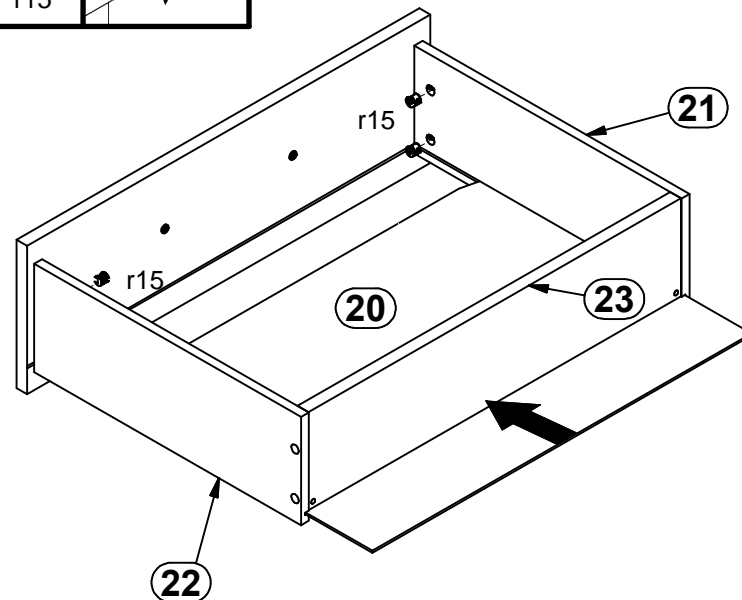
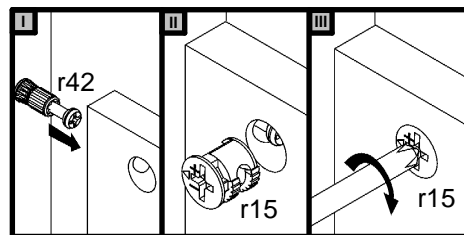
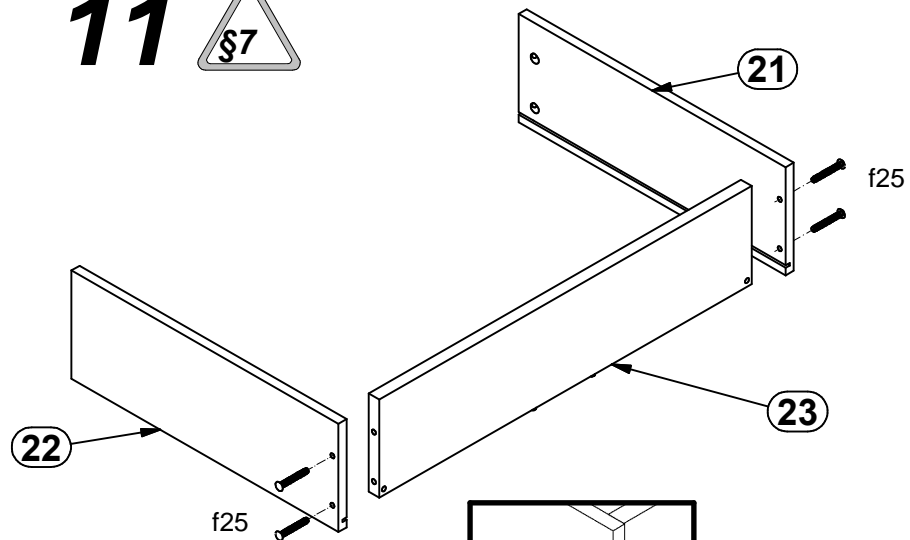
**6**







11



# 12

