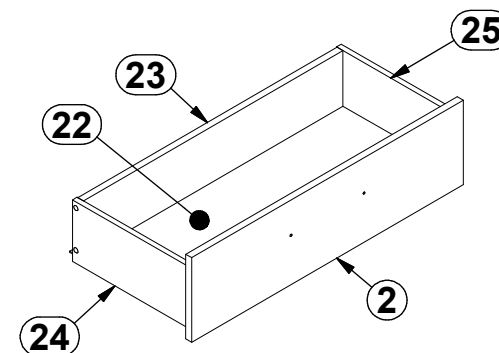
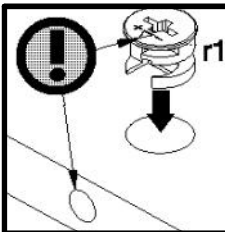
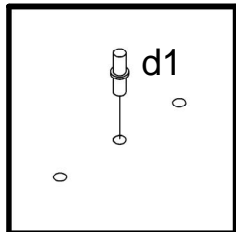
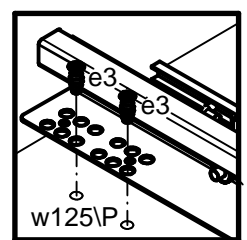
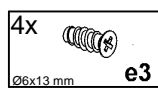
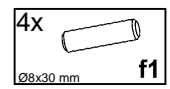
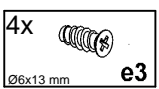
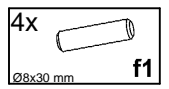
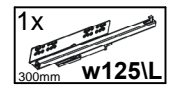
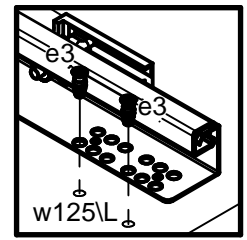
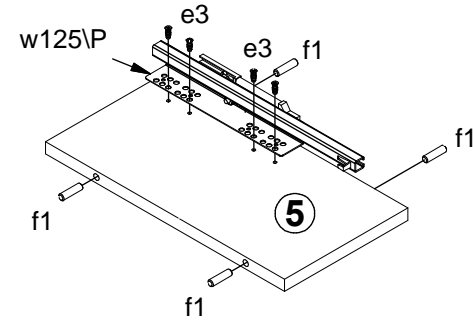
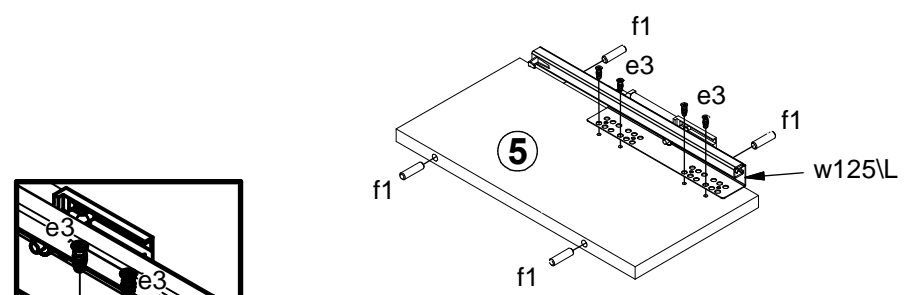
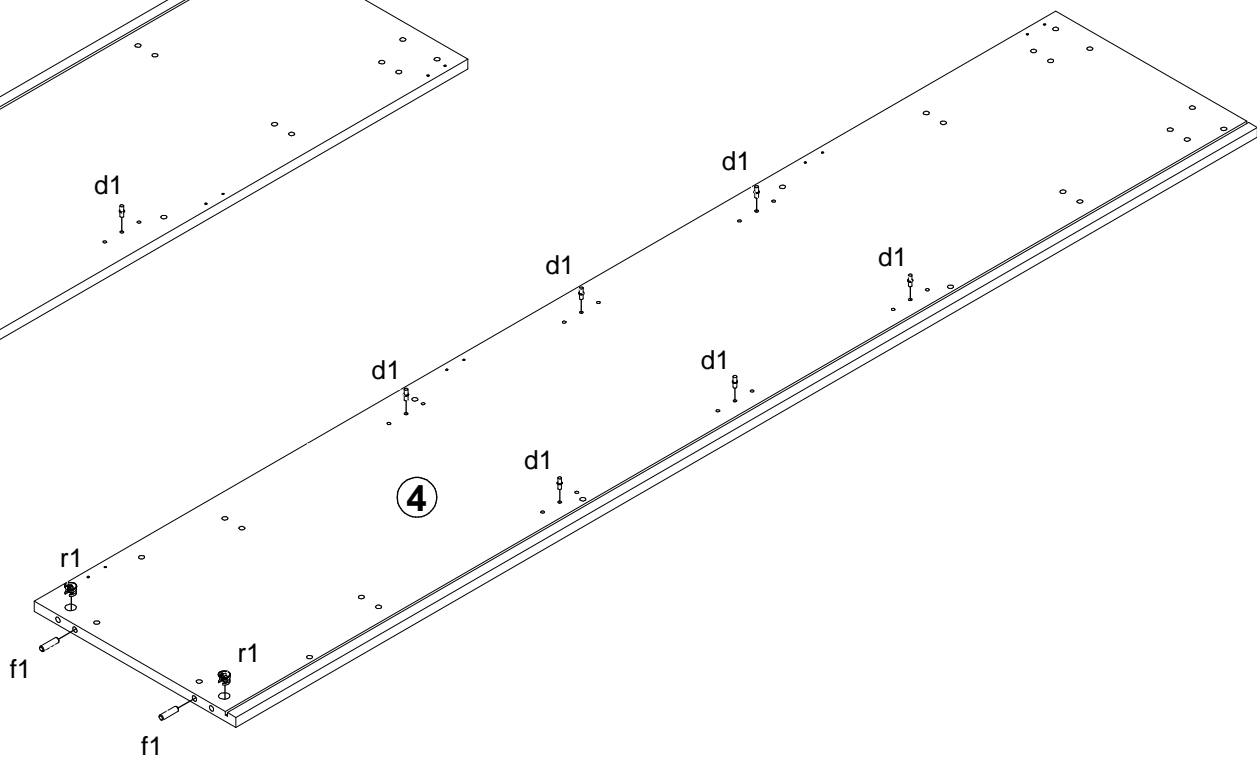
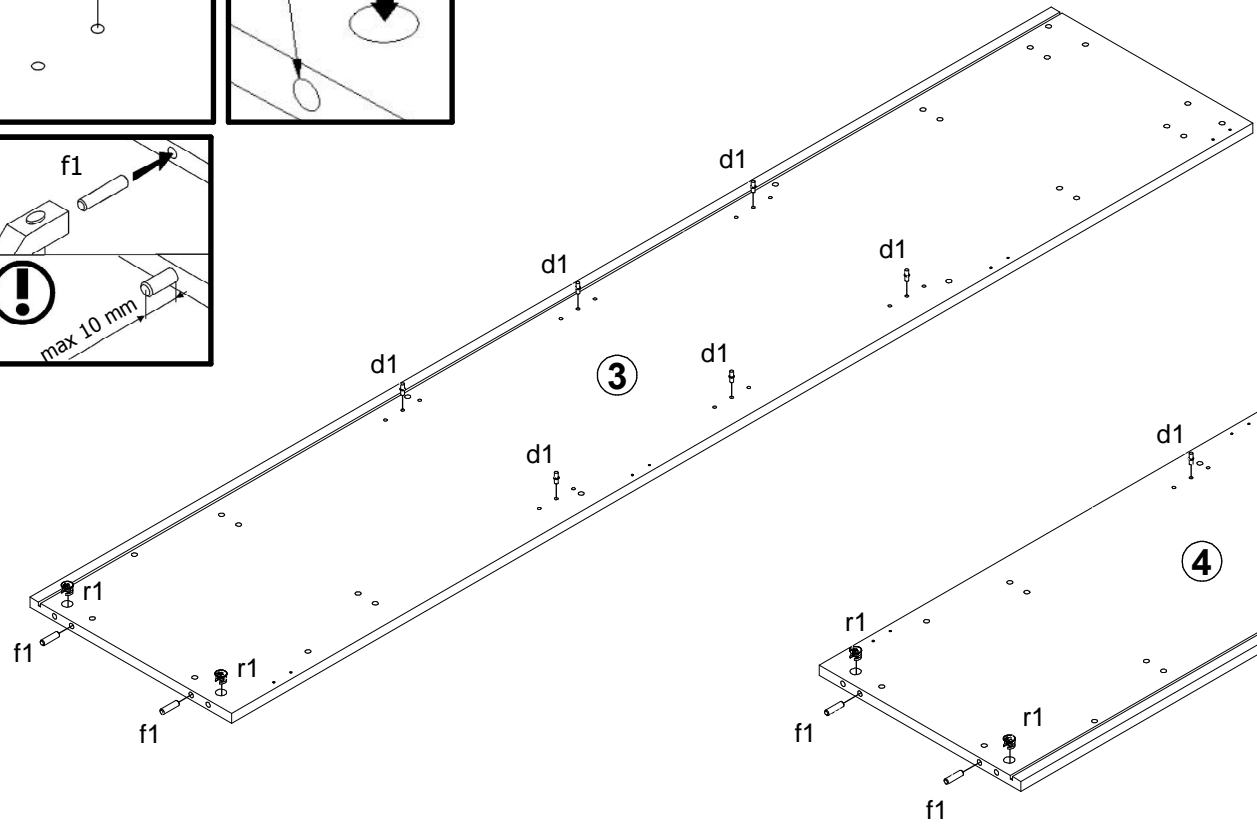
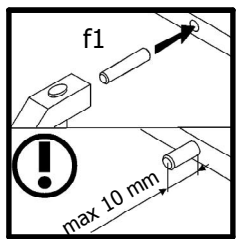
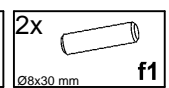
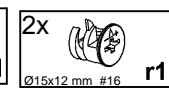
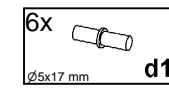
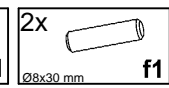
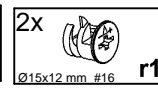
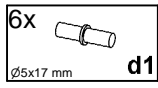


A	B	C1	C2	C3	D
1	M244-0001	1548	352	16	2/3
2	M244-0002	714	192	16	1/3
3	M244-1001	1914	378	16	2/3
4	M244-1002	1914	378	16	2/3
5	M244-1003	185	358	16	2/3
6	M244-2001	836	378	16	1/3
7	M244-3001	804	358	16	1/3
8	M244-3002	804	358	16	1/3
9	M244-3003	804	354,	16	1/3
10	M244-3004	804	354,	16	1/3
11	M244-5051	1910	80	22	3/3
12	M244-5052	1910	80	22	3/3
13	M244-5501	378	80	22,	3/3
14	M244-5502	262	80,	19,	3/3
15	M244-5551	881,	80	22,	3/3
16	M244-5552	720	80,	19,	3/3
17	M244-5553	802	40	16	3/3
18	M244-5701	1536,	29,	3,	2/3
19	M244-9301	1835	813	2,5	2/3
20	S228-5507	1920	58,	22	3/3
21	S228-5509	1910	58,	22	3/3
22	WSP-9277	692	308	2,5	1/3
23	ZQ6-5068	682	127	15	1/3
24	ZQ6-509	300	140	12	1/3
25	ZQ6-510	300	140	12	1/3

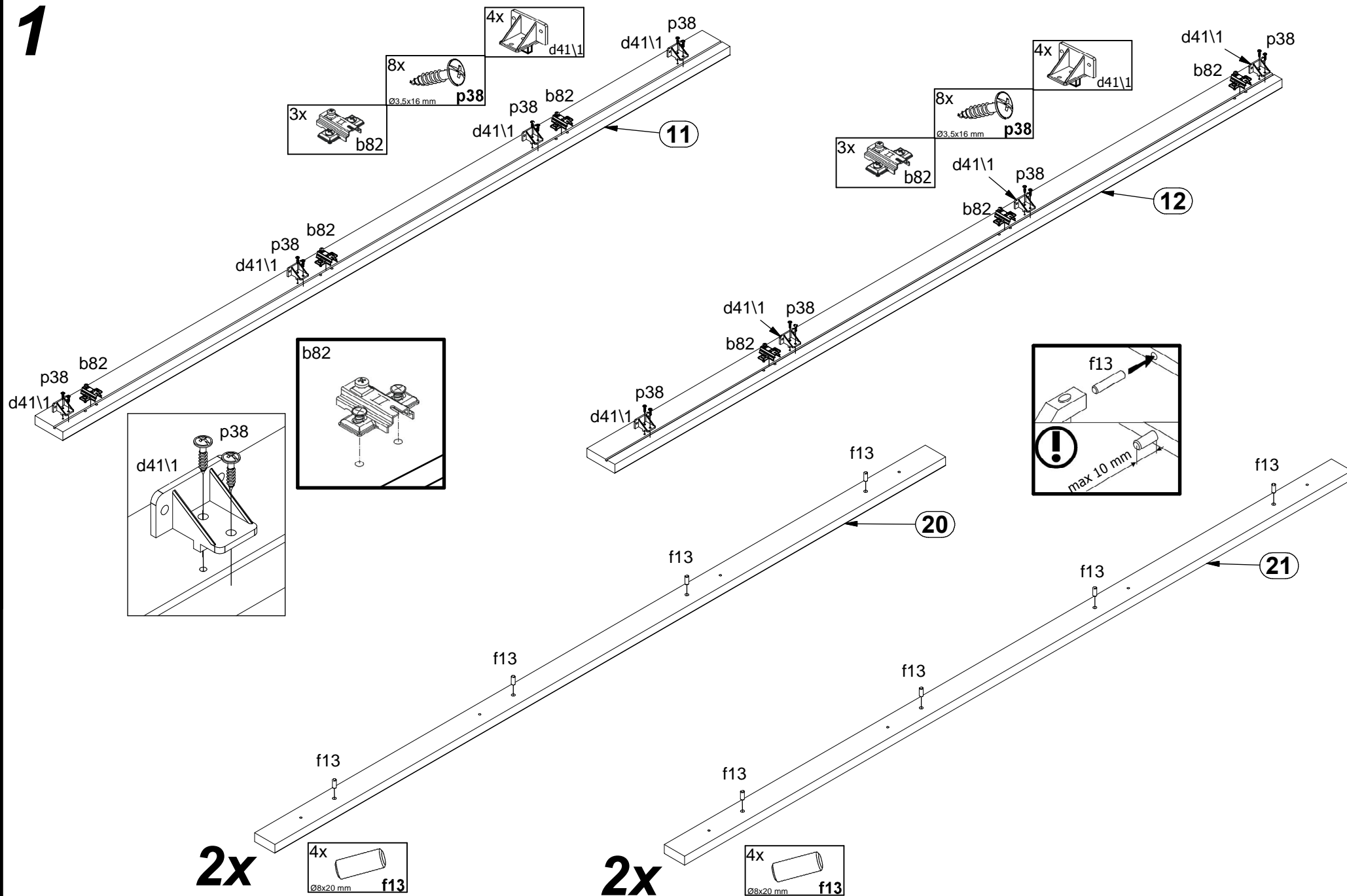


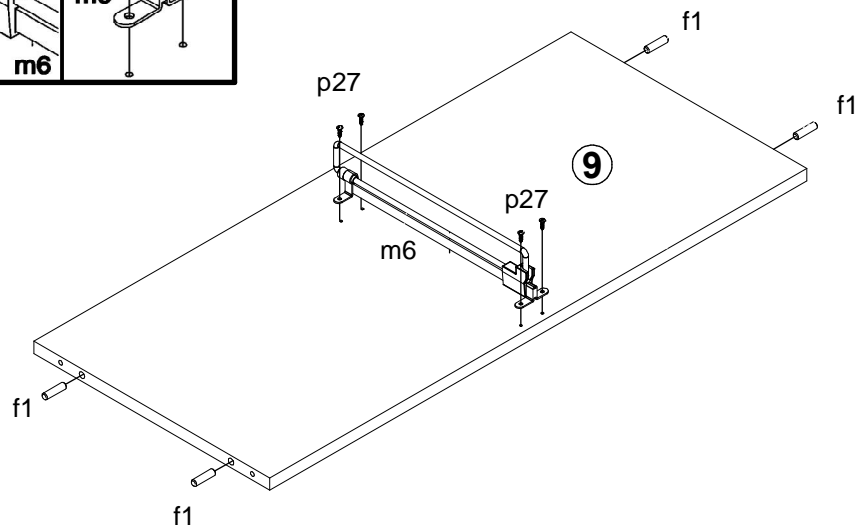
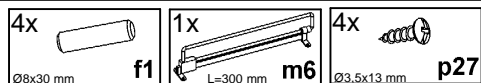
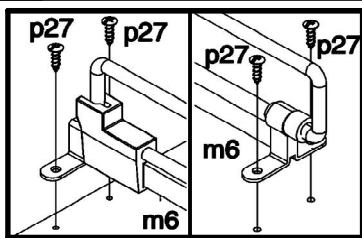


**1**

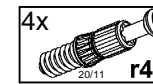
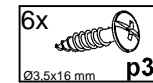
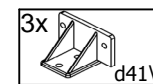
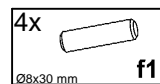
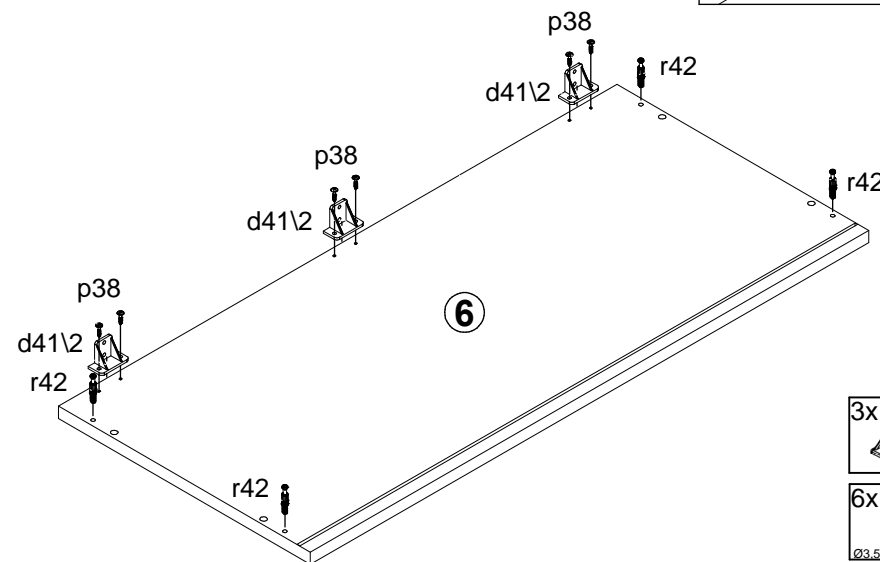
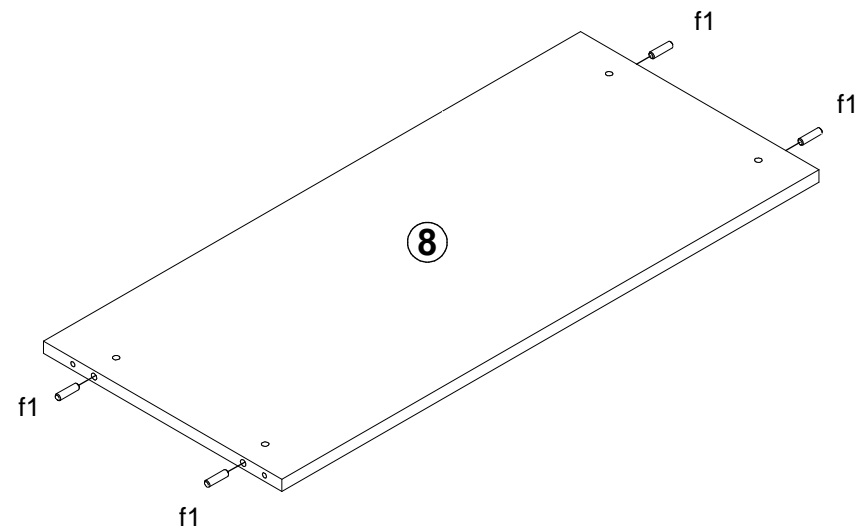
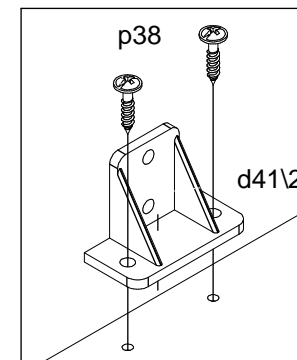
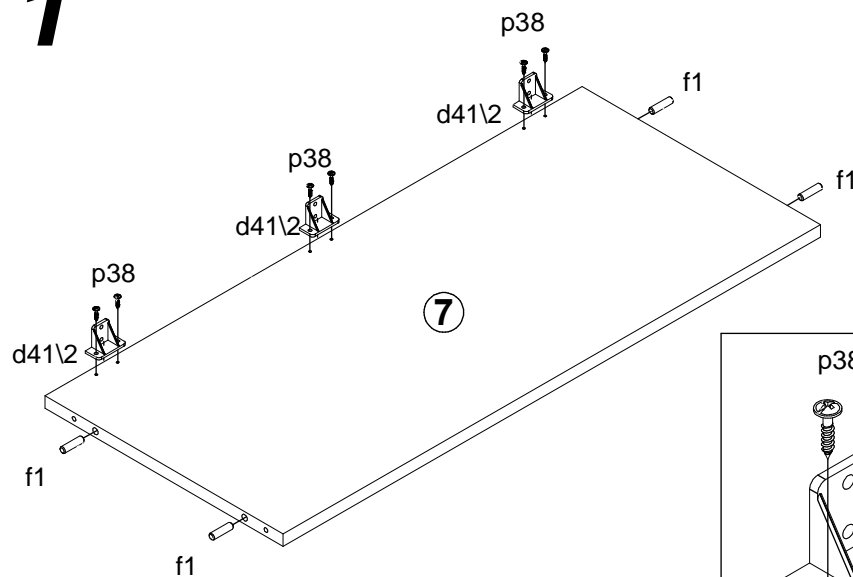
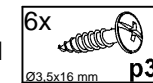
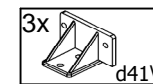
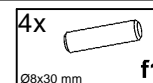


1





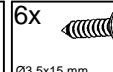
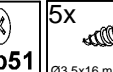


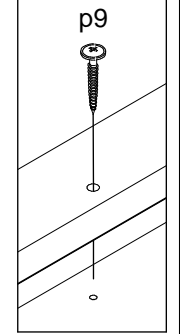
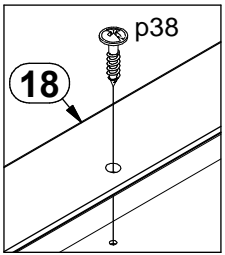
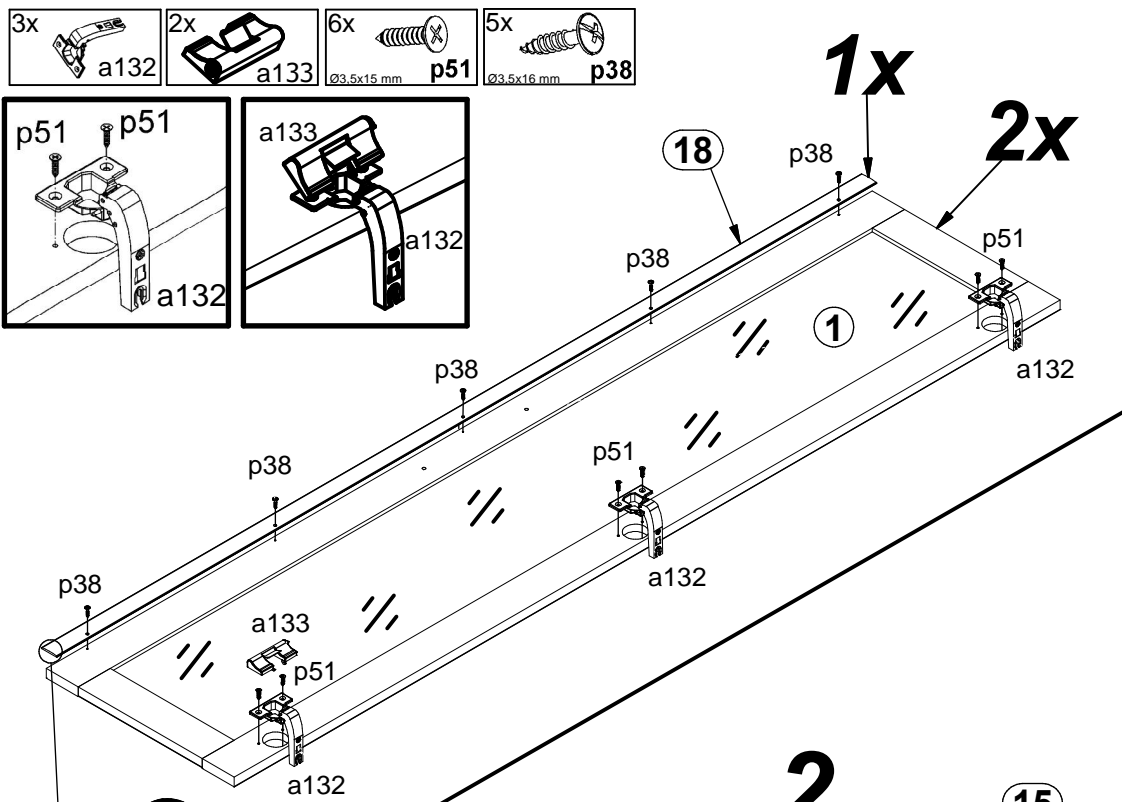
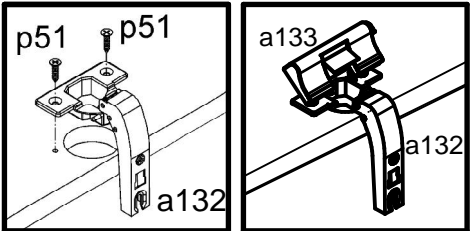
1




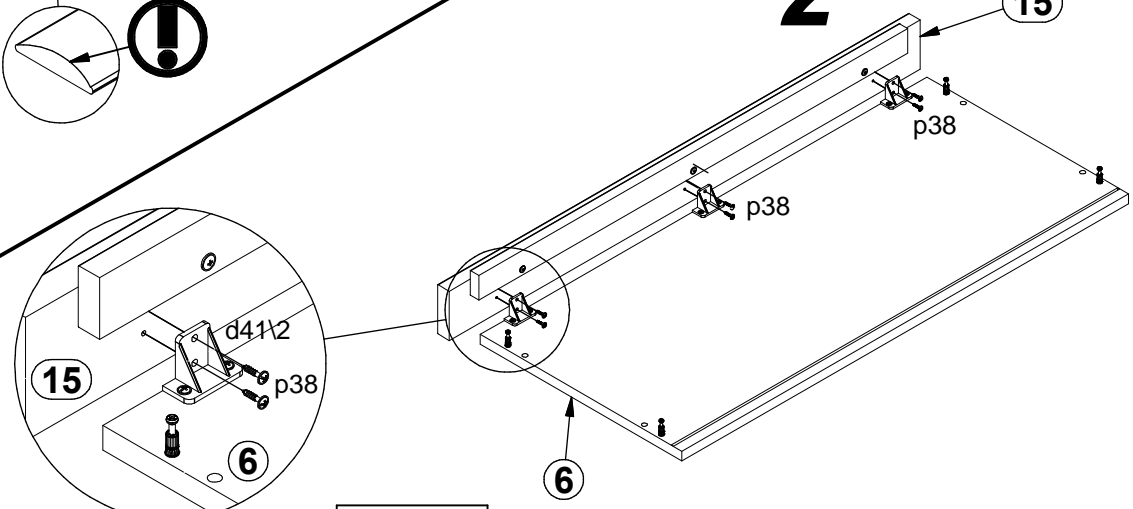
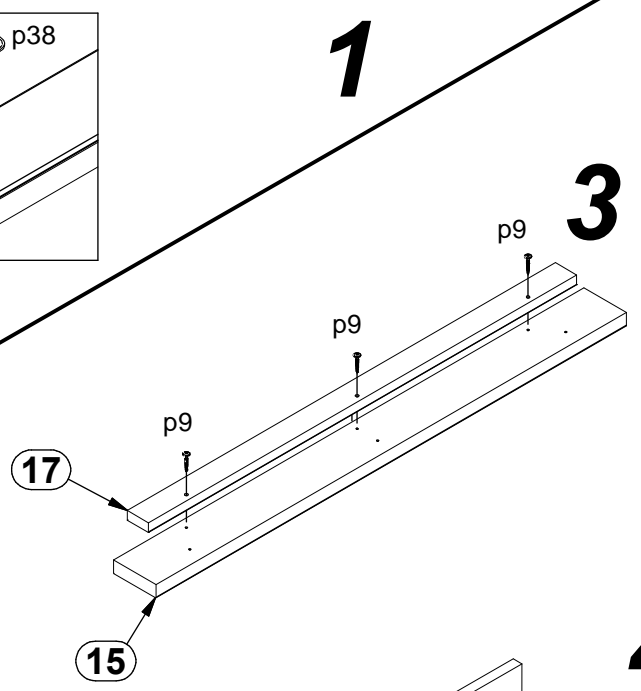
**A**


# M244-REG2L1S/20/9

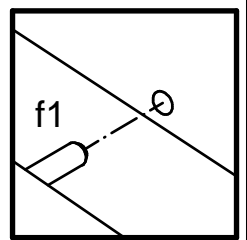
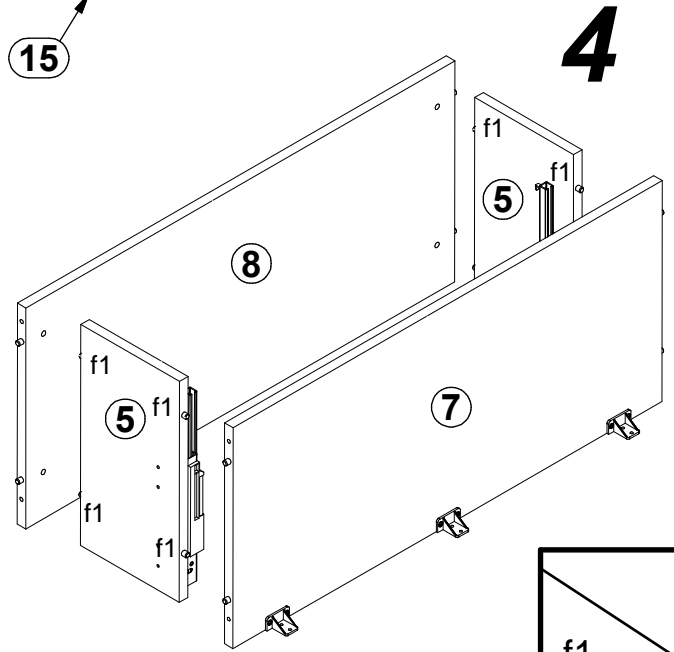
- 3x  a132
- 2x  a133
- 6x  p51  
Ø3,5x15 mm
- 5x  p38  
Ø3,5x16 mm

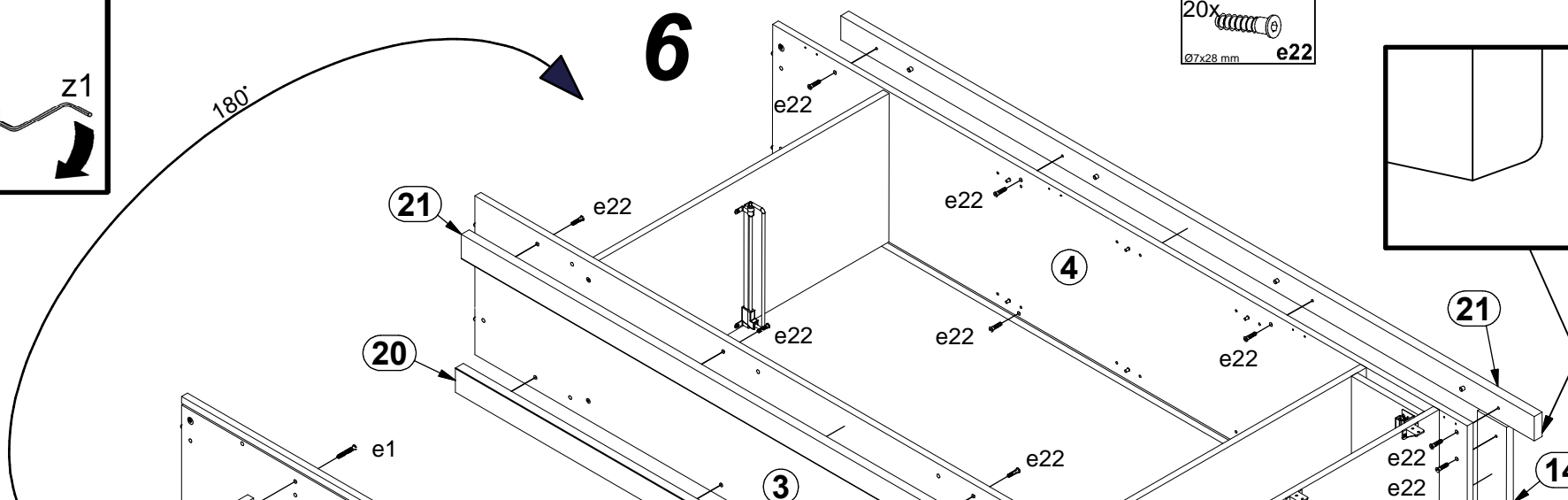
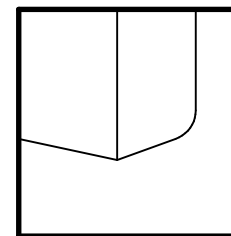
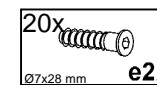
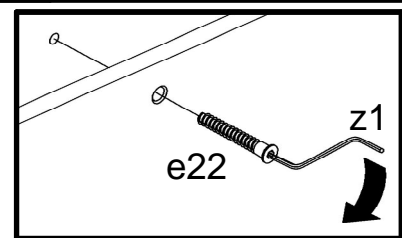


- 3x  p9  
Ø4x30 mm

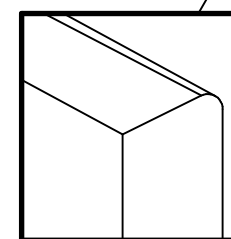
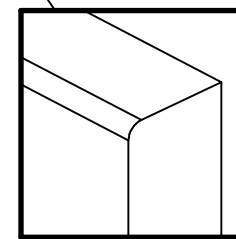
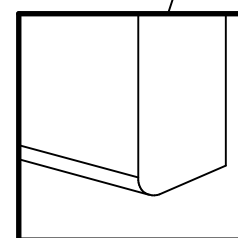
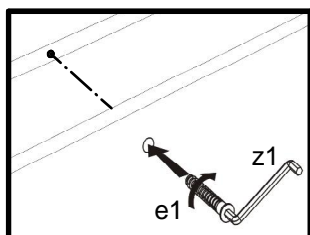
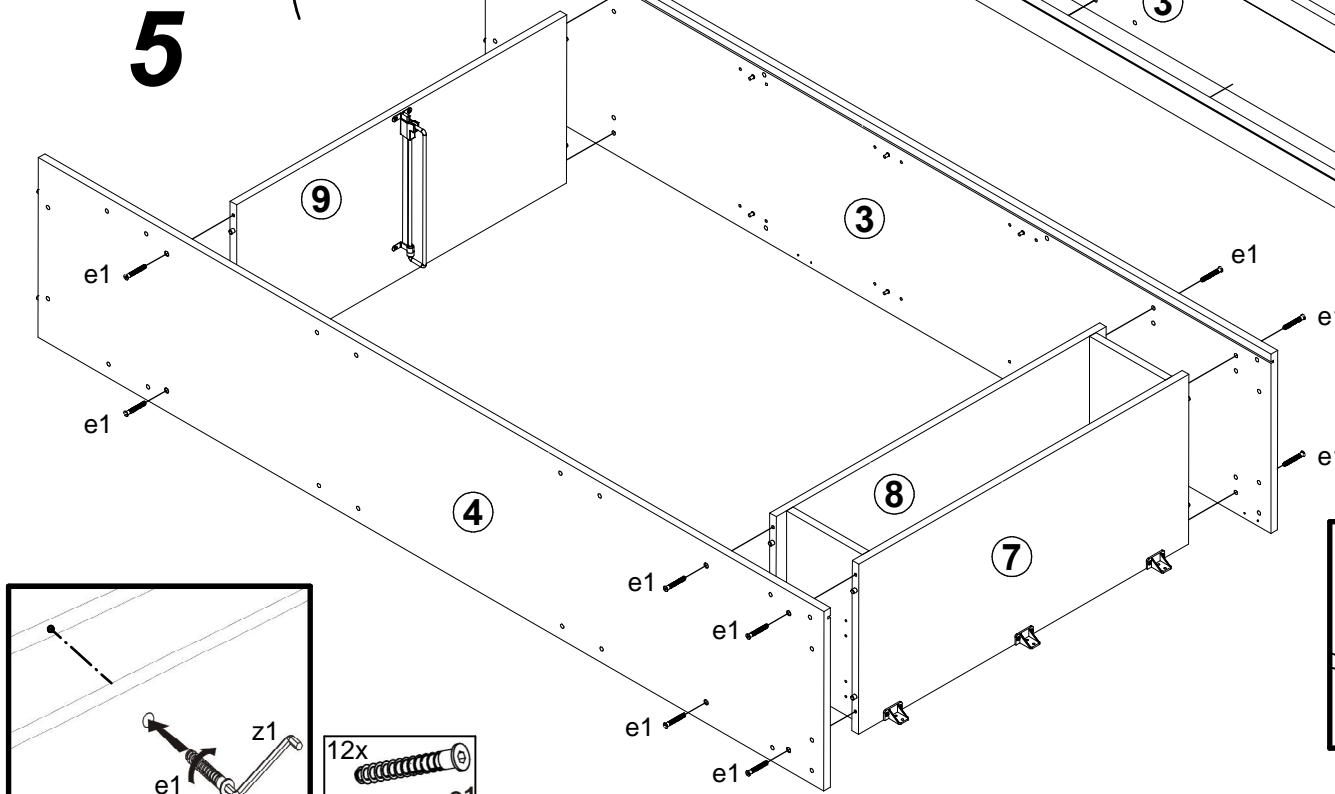


- 6x  p38  
Ø3,5x16 mm

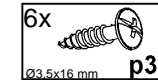
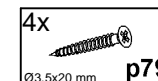
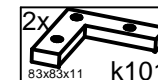
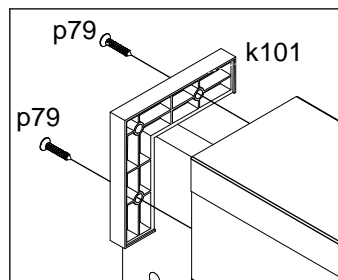




5







8

12

11

21

16

7

12

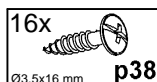
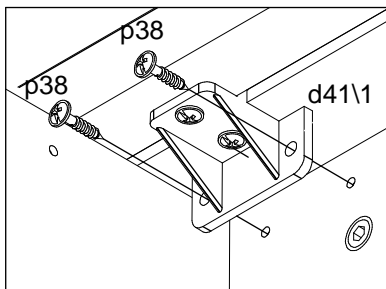
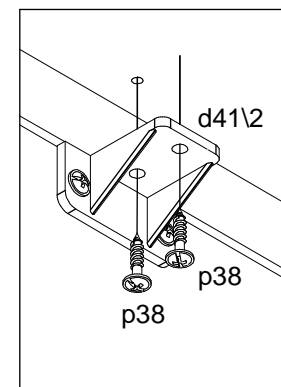
11

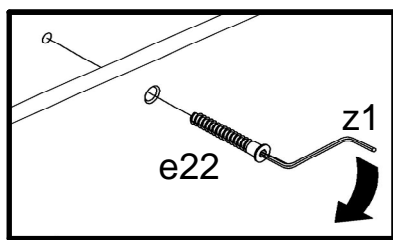
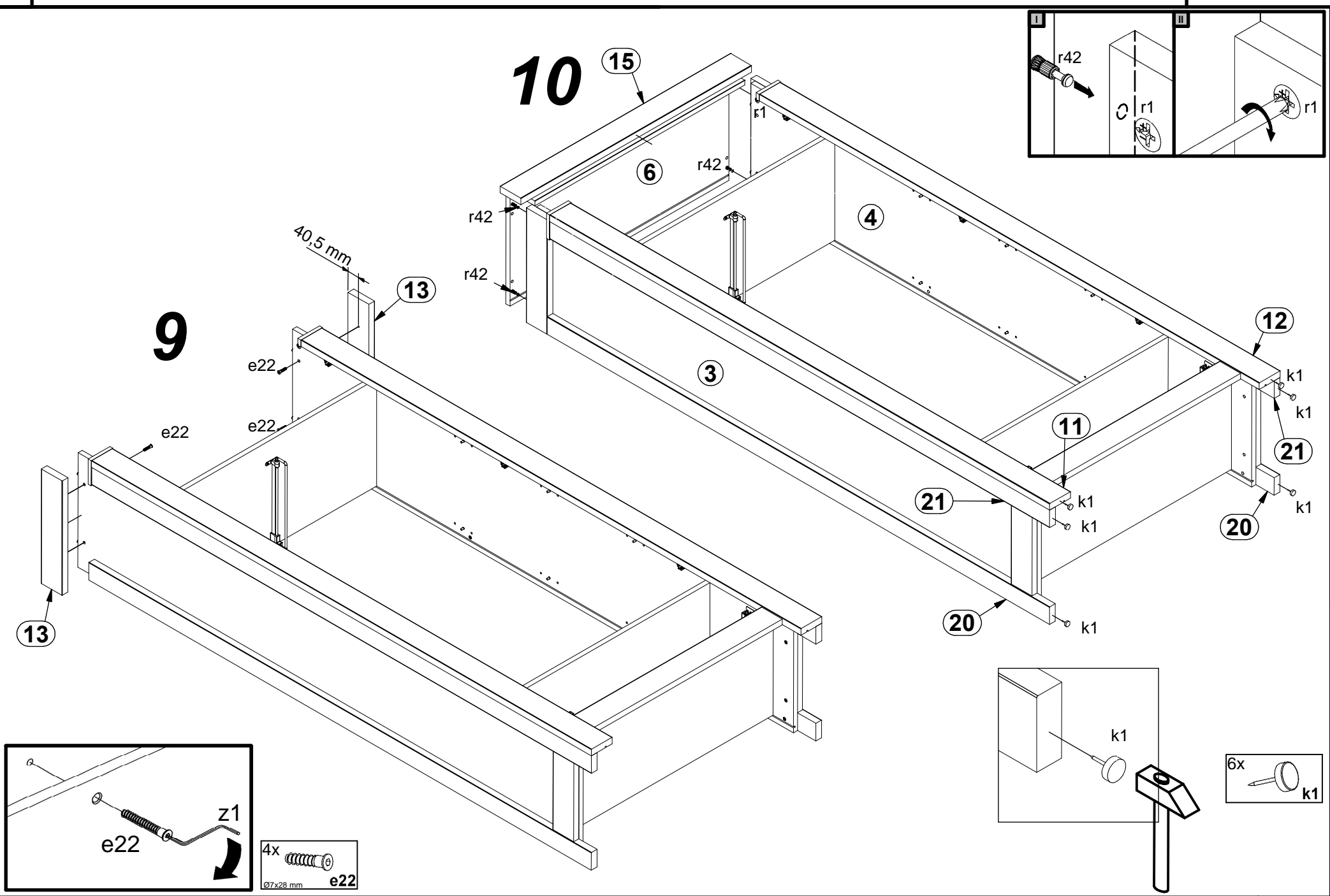
9

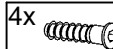
4

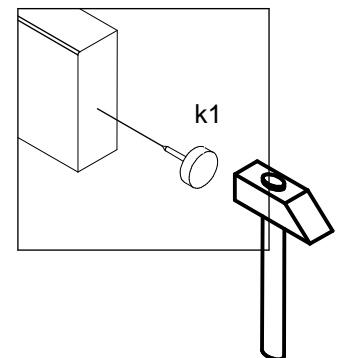
3


7

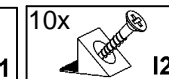
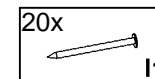
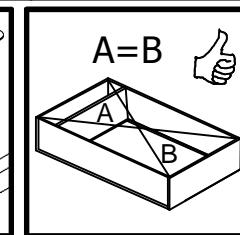
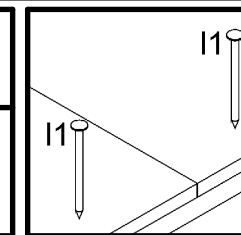
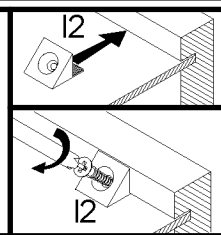
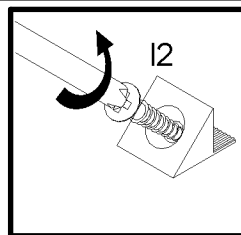
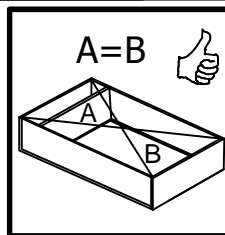




4x  e22  
 Ø7x28 mm

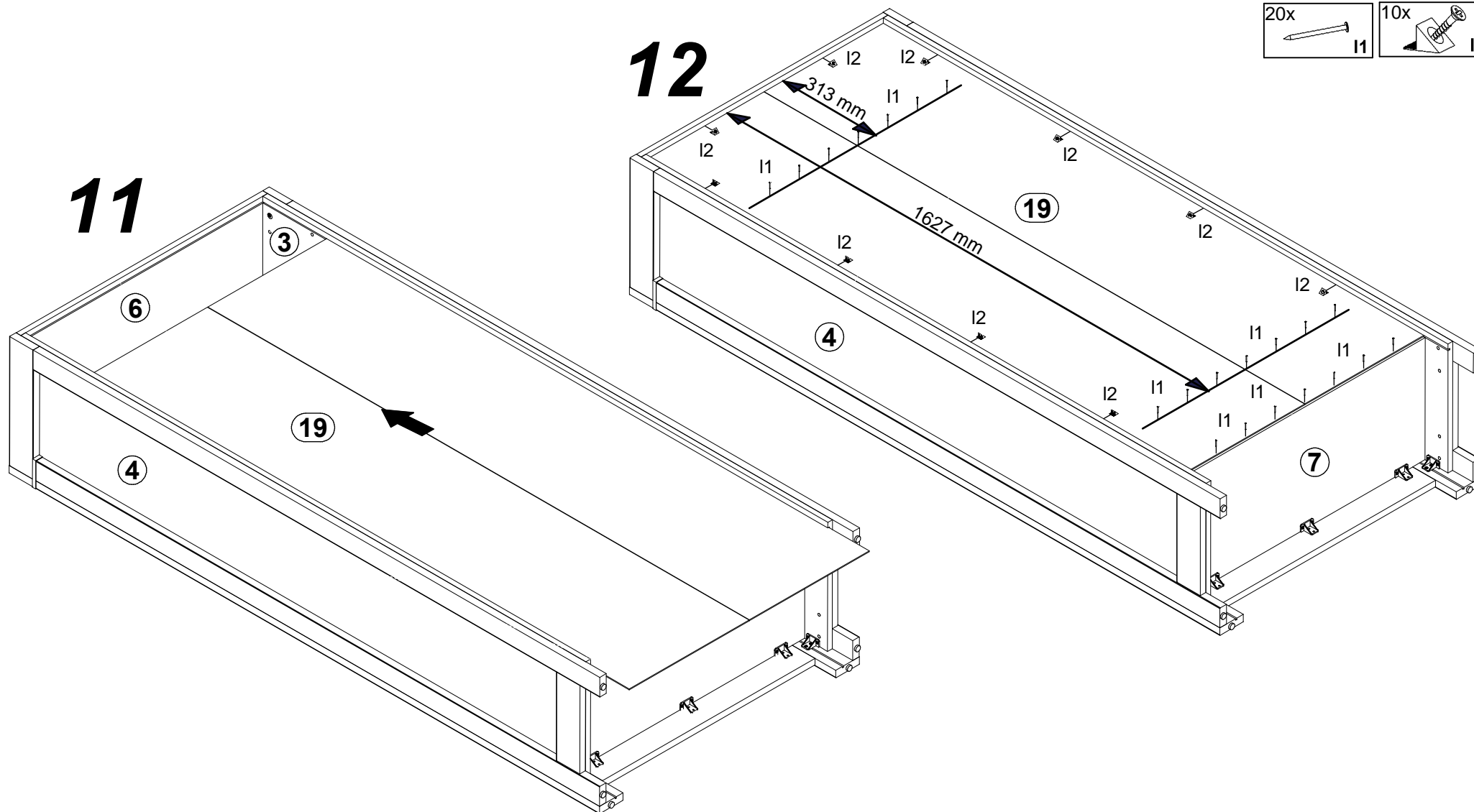


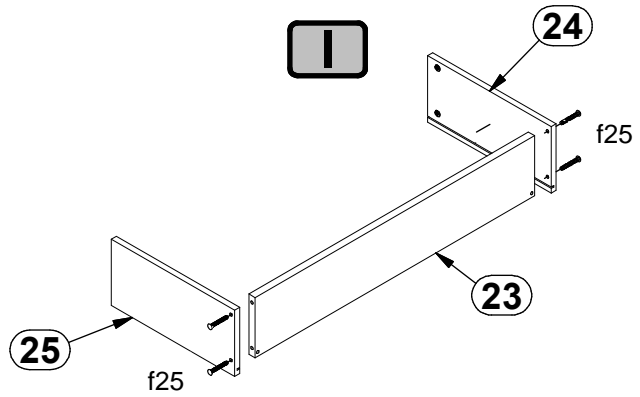
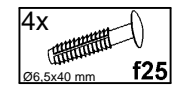
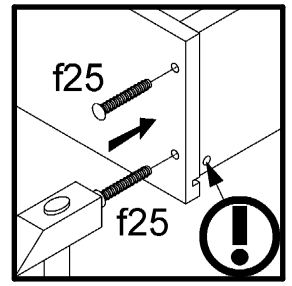
6x  k1



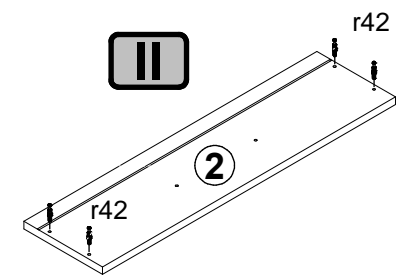
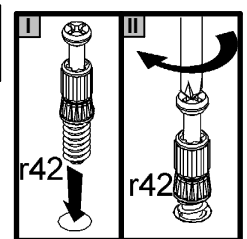
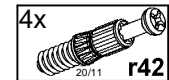
12

11

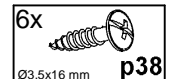
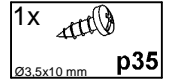
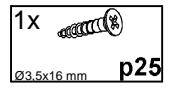
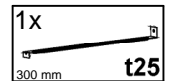
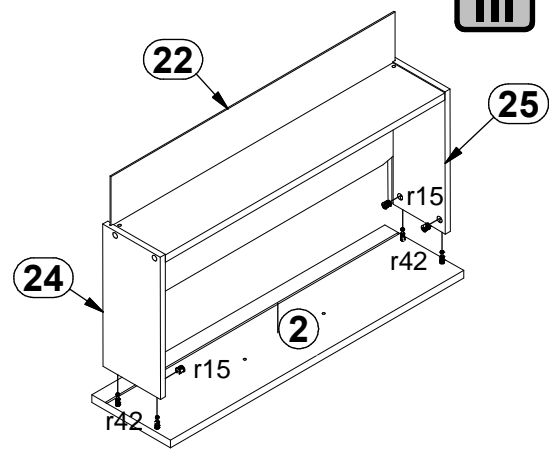




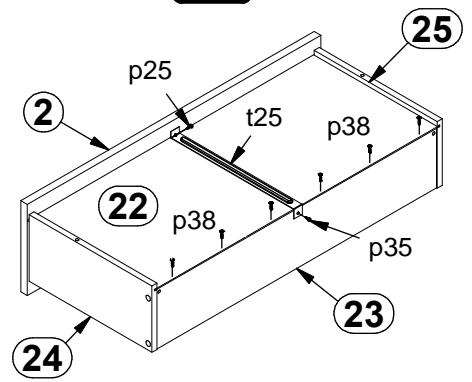
13



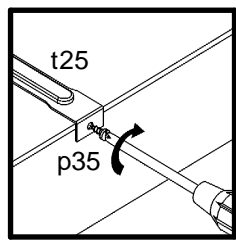
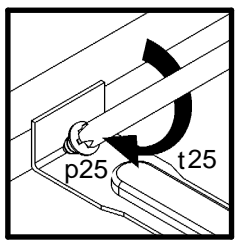
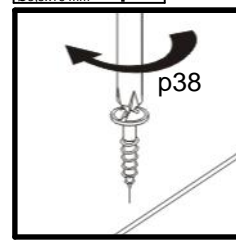
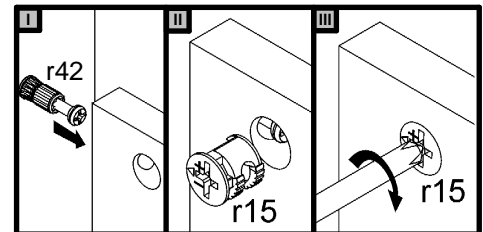
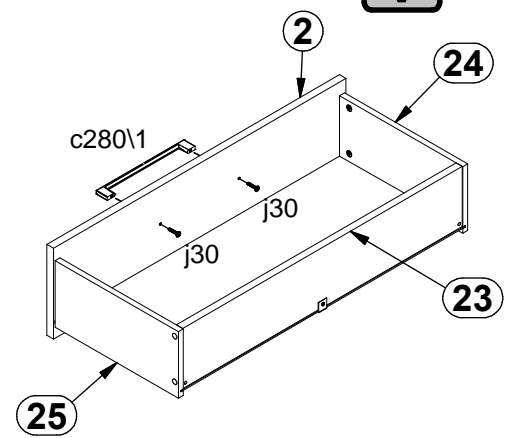
III



IV

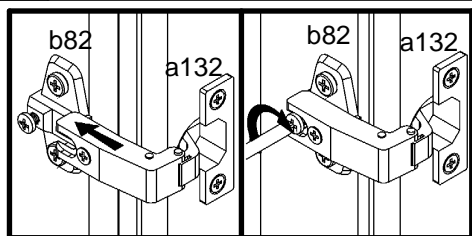


V

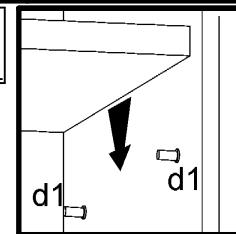
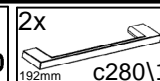


**A**

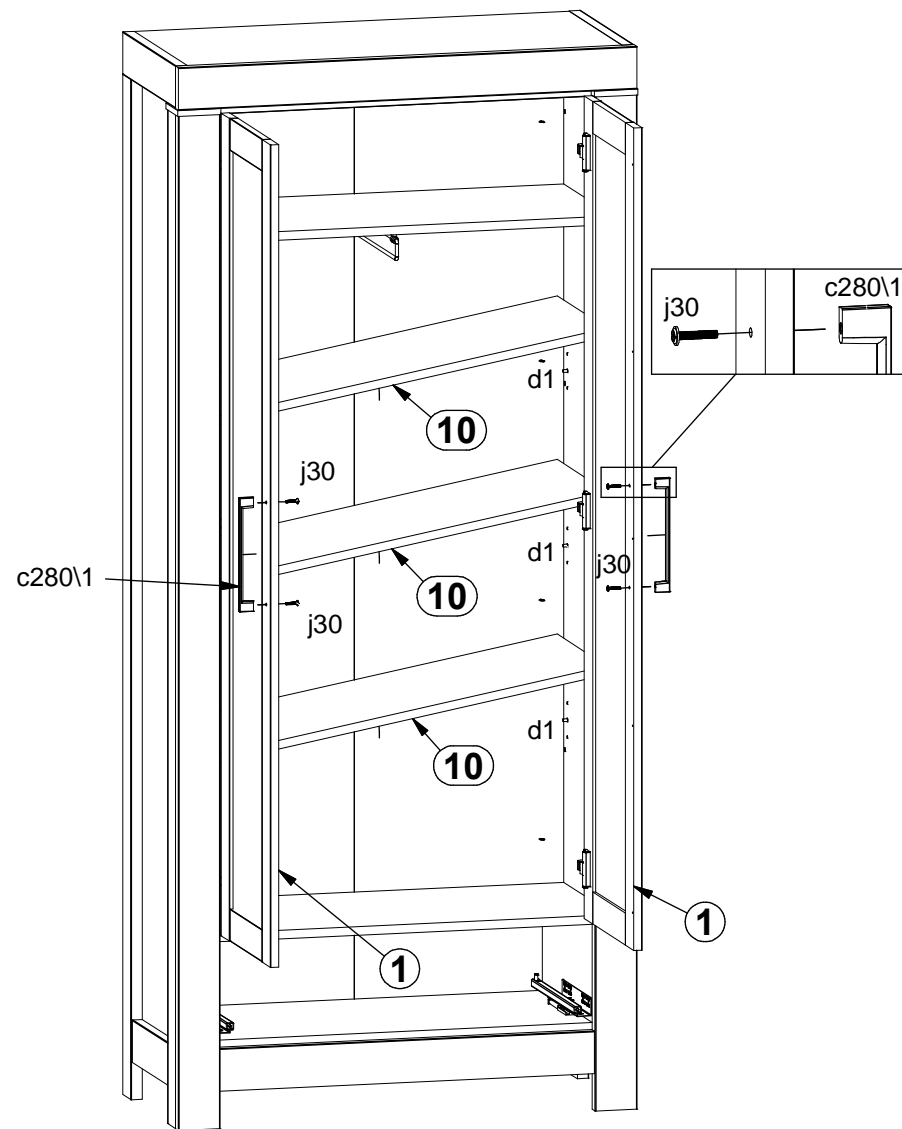
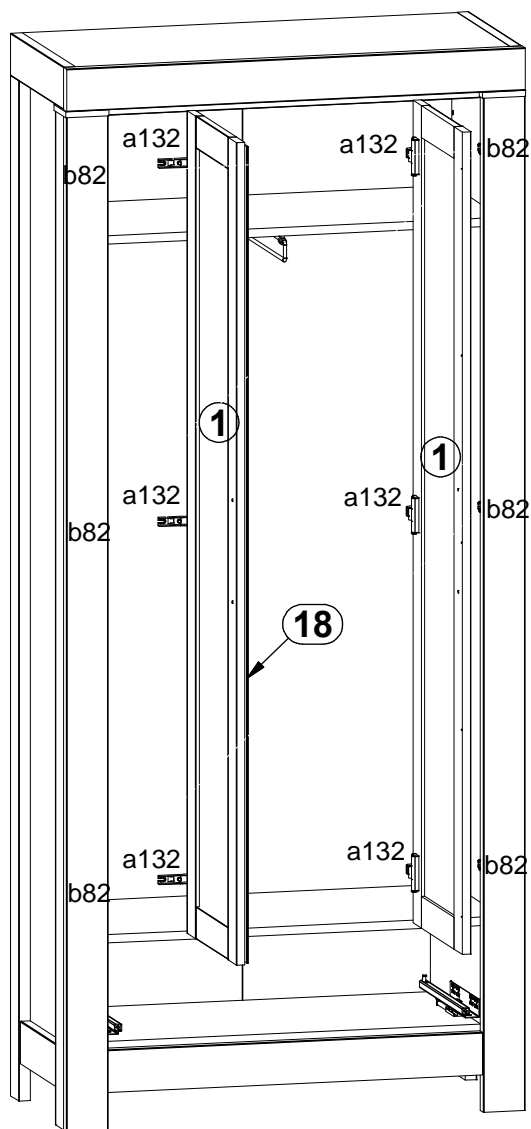
# M244-REG2L1S/20/9

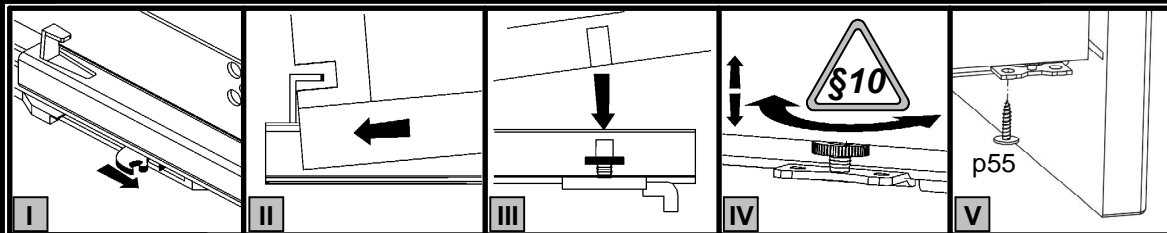


# 14

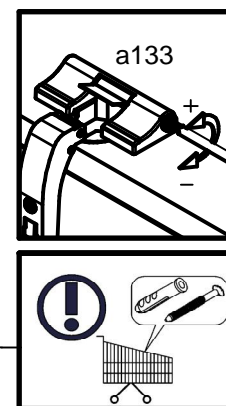
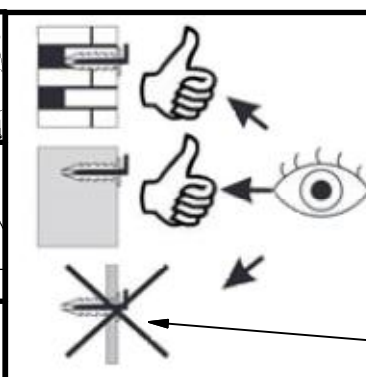
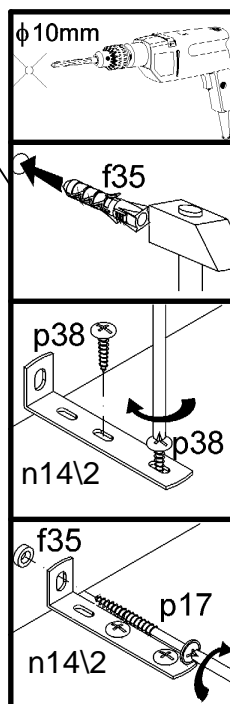



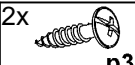
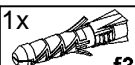
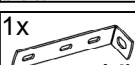
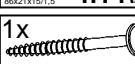
# 15





16



- 2x   $\varnothing 2,9 \times 16 \text{ mm}$  **p55**
- 2x   $\varnothing 3,5 \times 16 \text{ mm}$  **p38**
- 1x   $\varnothing 10 \times 50 \text{ mm}$  **f35**
- 1x   $86 \times 21 \times 15 / 1,5$  **n14\2**
- 1x   $\varnothing 5 \times 60 \text{ mm}$  **p17**

