

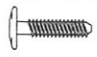



Assembly Sheet

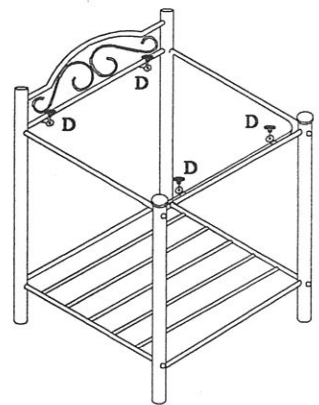
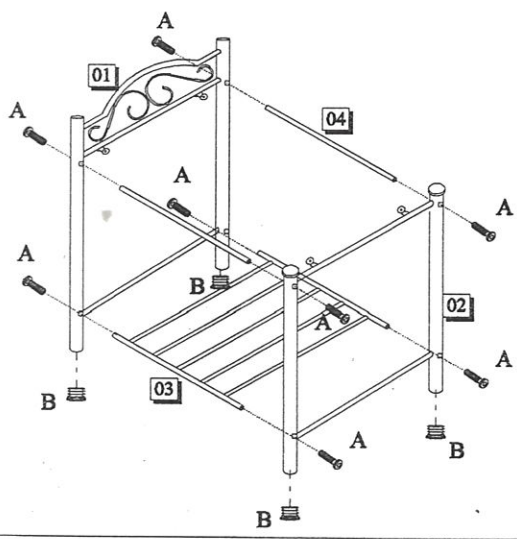
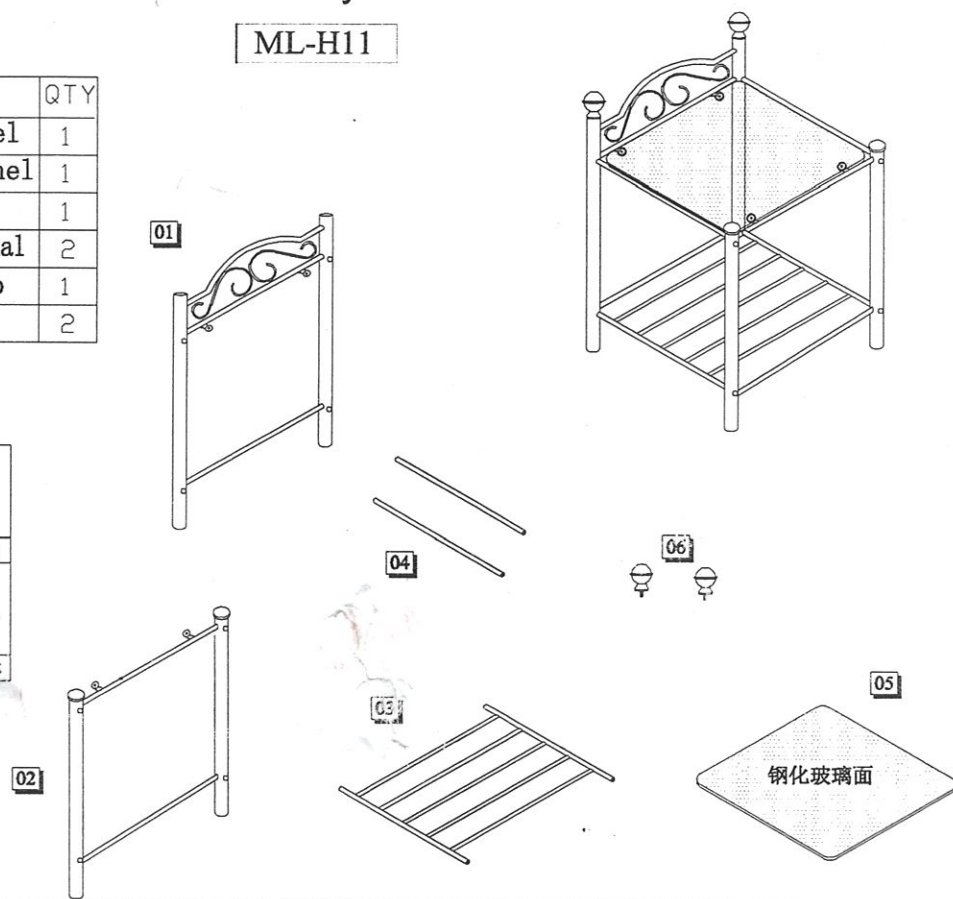
ML-H11

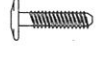


Parts List

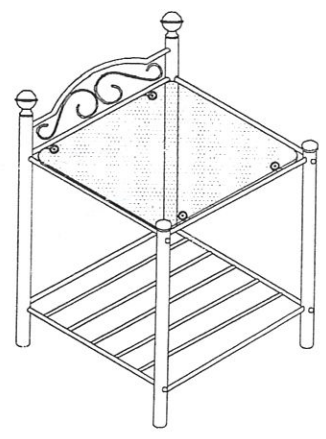
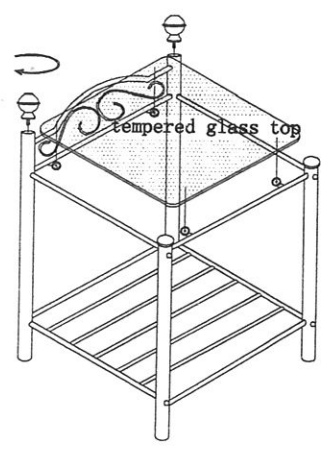
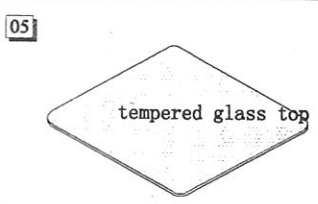
NO	Particulars	QTY
01	night stand back panel	1
02	night stand front panel	1
03	night stand mesh	1
04	night stand crossing canal	2
05	385*365*5MM glass top	1
06	decoration ball	2


Hardware list

A		C	
M6 x 45MM	8 PCS	4 x 4MM	1 PCS
B		D	
Ø32 x 0.8	4PCS	Ø6	4 PCS



A	
M6 x 45MM	8 PCS
B	
Ø32 x 0.8	4PCS
D	
Ø6	4 PCS



06	
decoration ball	2 PCS