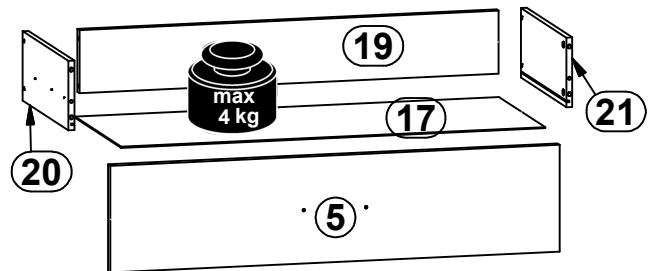
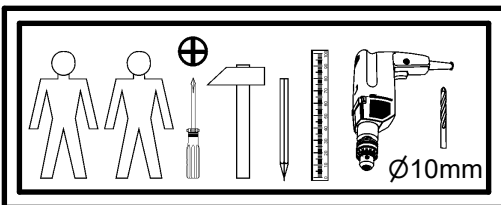
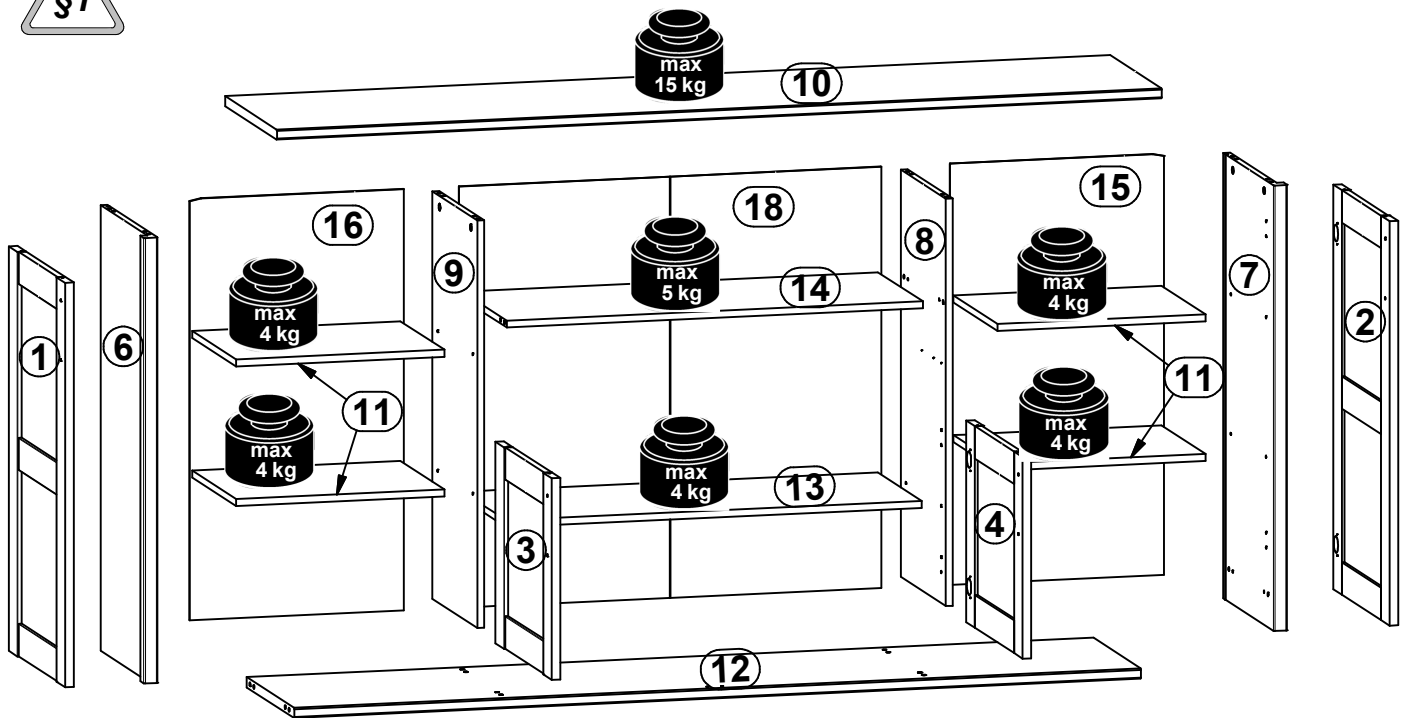
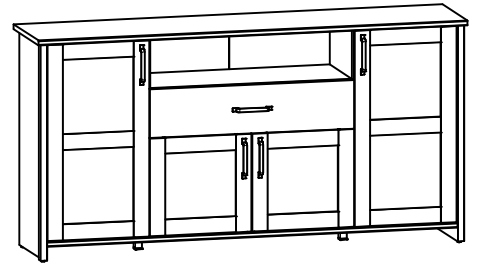
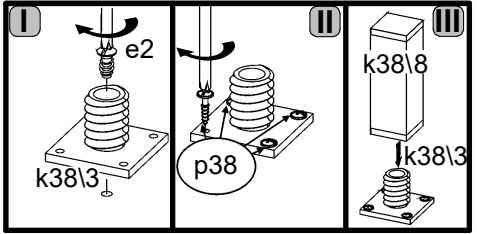
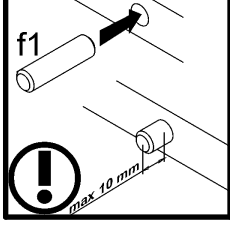
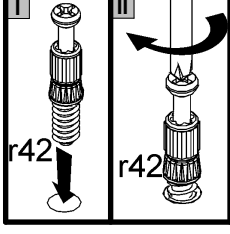
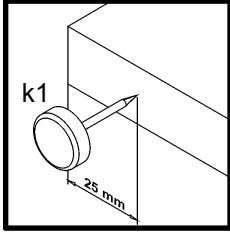
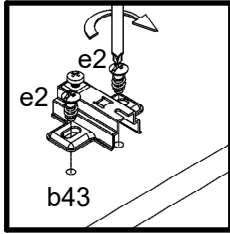
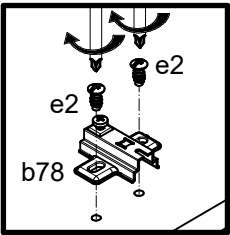
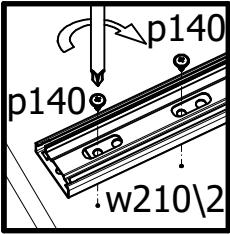
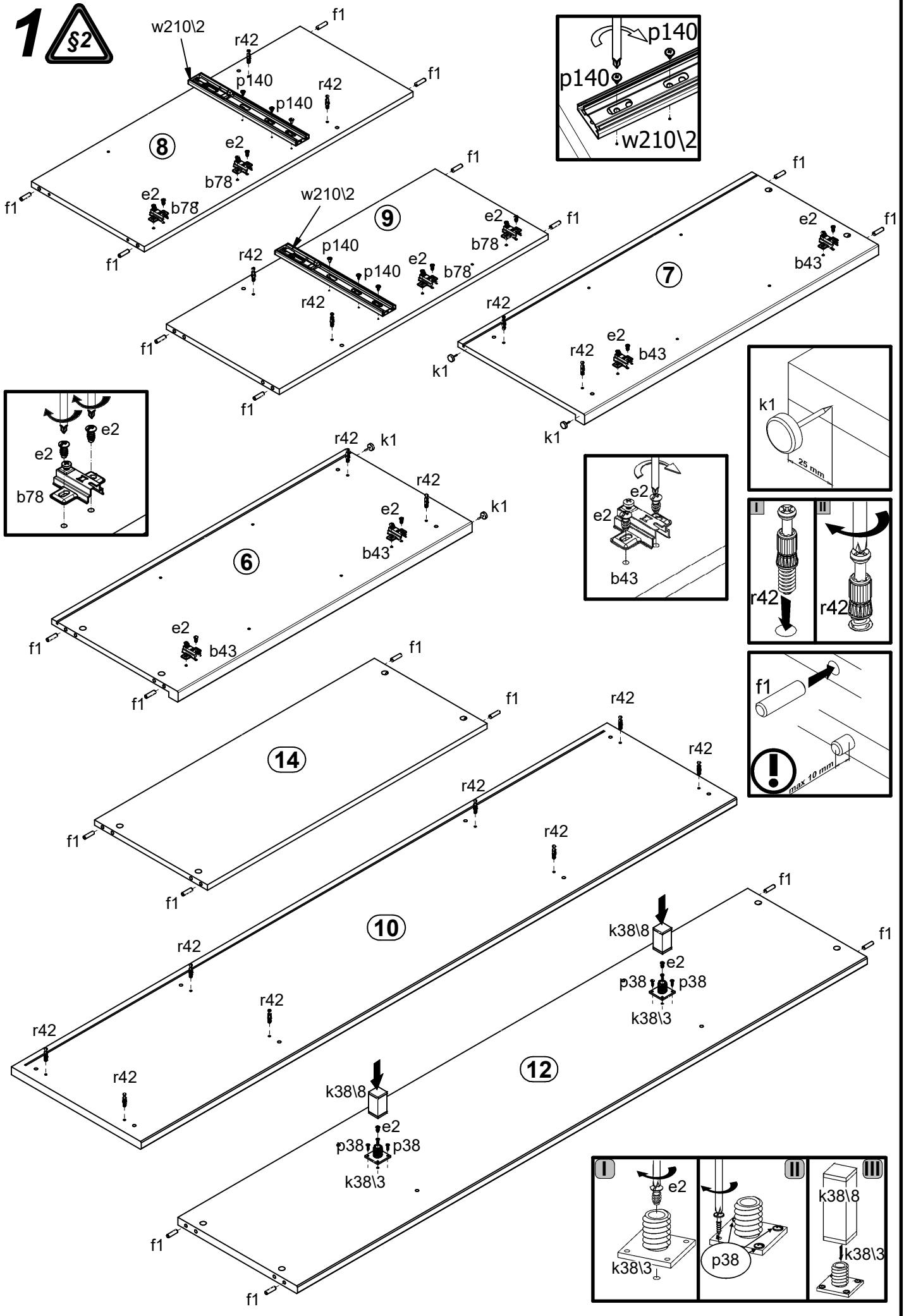


A	B	C	D	A	B	C	D		
1	S455-0005	869	460	1/3	12	S455-3019	1855	389	3/3
2	S455-0009	869	460	1/3	13	S455-3020	910	360	2/3
3	S455-0014	433	460	1/3	14	S455-3021	911	367	2/3
4	S455-0015	433	460	1/3	15	S455-9004	905	469	1/3
5	S455-0016	923	215	1/3	16	S455-9005	905	469	1/3
6	S455-1007	957	412	1/3	17	S455-9008	871	355	2/3
7	S455-1008	957	412	1/3	18	S455-9306	905	925	1/3
8	S455-1018	875	368	2/3	19	ZK3-5047	861	127	2/3
9	S455-1019	875	368	2/3	20	ZK4-513	350	140	2/3
10	S455-2009	1939	423	3/3	21	ZK4-514	350	140	2/3
11	S455-3007	456	360	2/3					

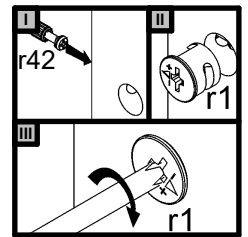
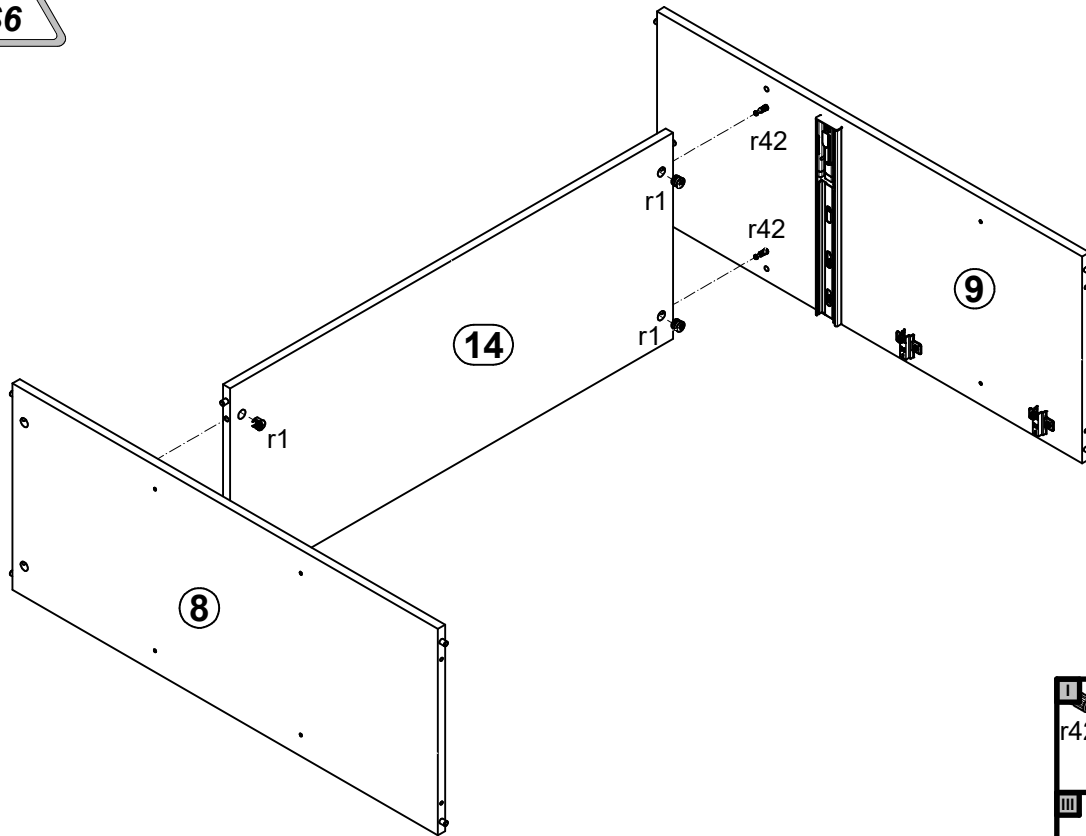


4x  a133	4x  a159	4x  a160	4x  b43	4x  b78	5x  c526	20x  d1	2x  d5	4x  e1
18x  e2	20x  f1	2x  f9	4x  f25	4x  k1	2x  k38/3	2x  k38/8	30x  l1	8x  l2
8x  n108	10x  p9	1x  p25	1x  p35	14x  p38	16x  p51	8x  p55	12x  p140	16x  r1
4x  r15	20x  r42	1x  t35	2x  w210/1	2x  w210/2	8x  s2	1x  z1	1x  n26	1x  p38

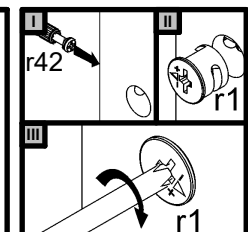
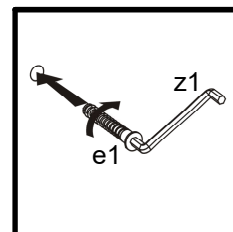
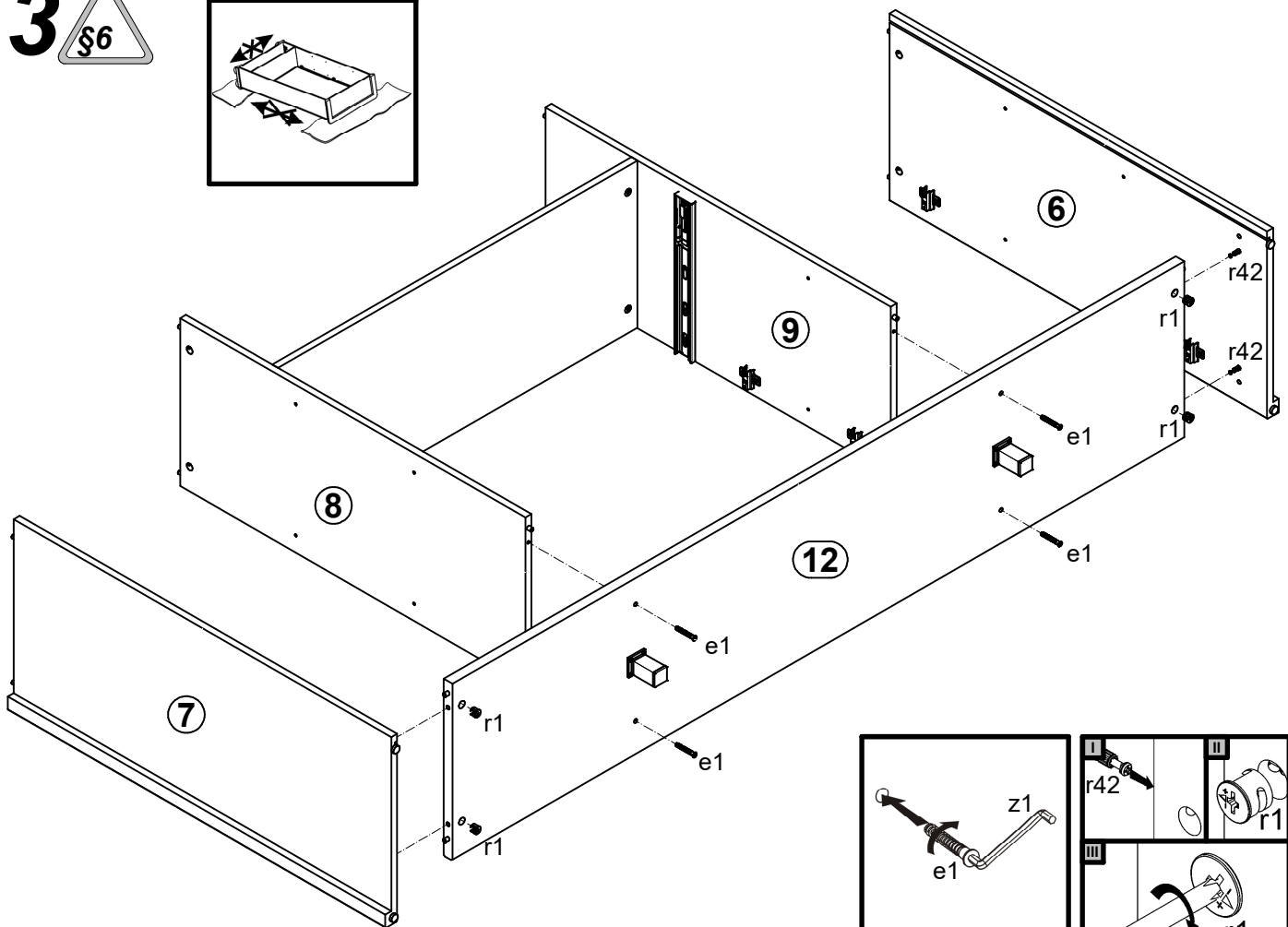
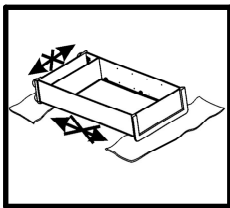
1 



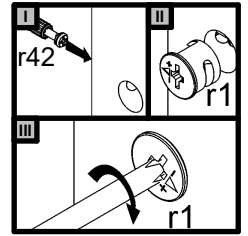
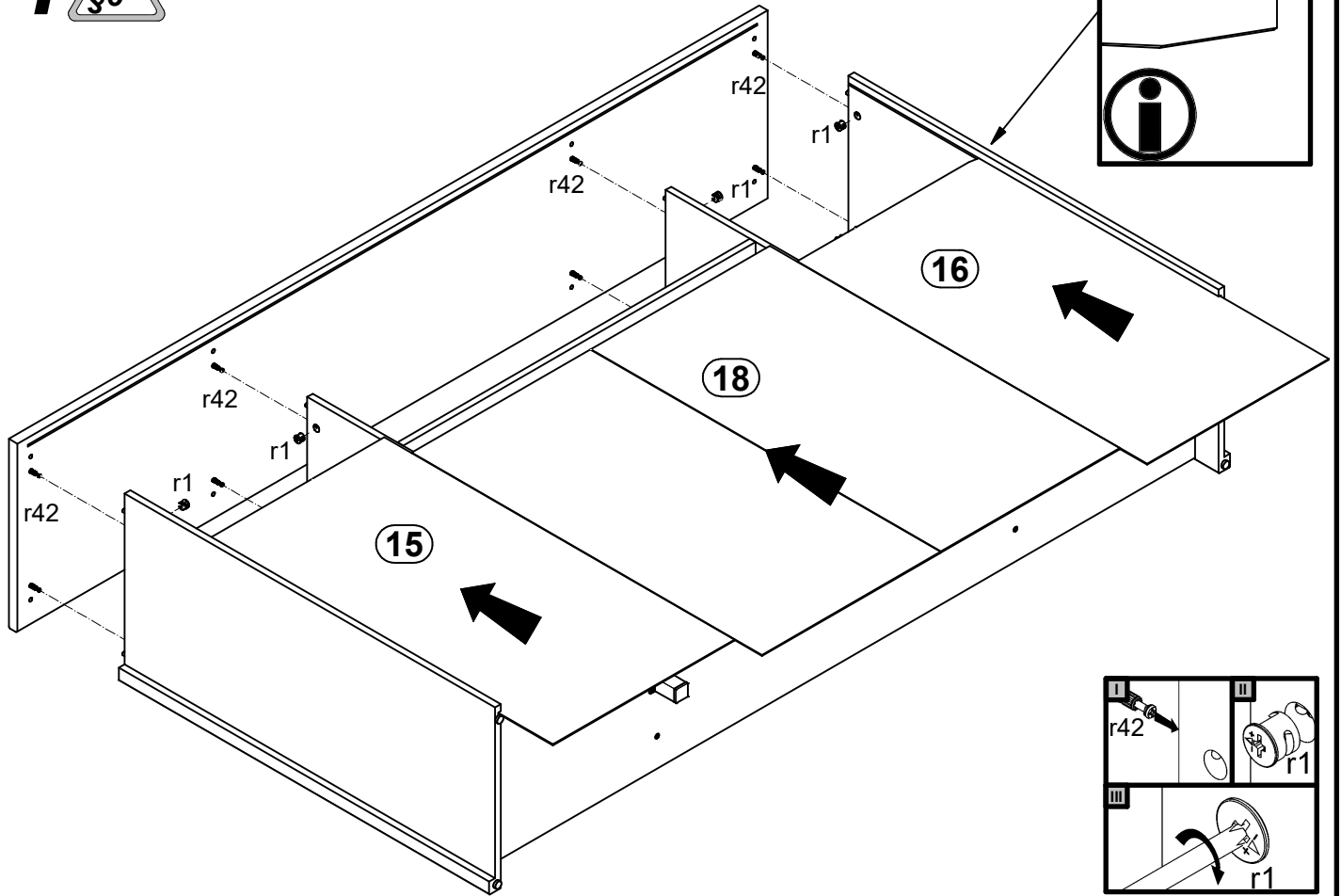
2 §6



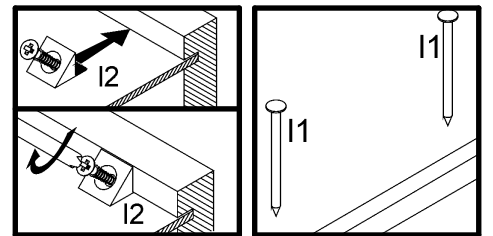
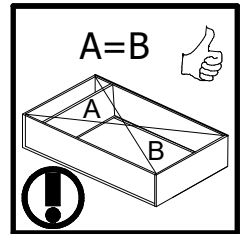
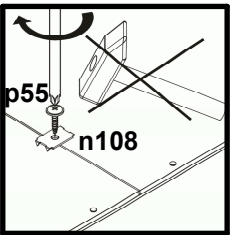
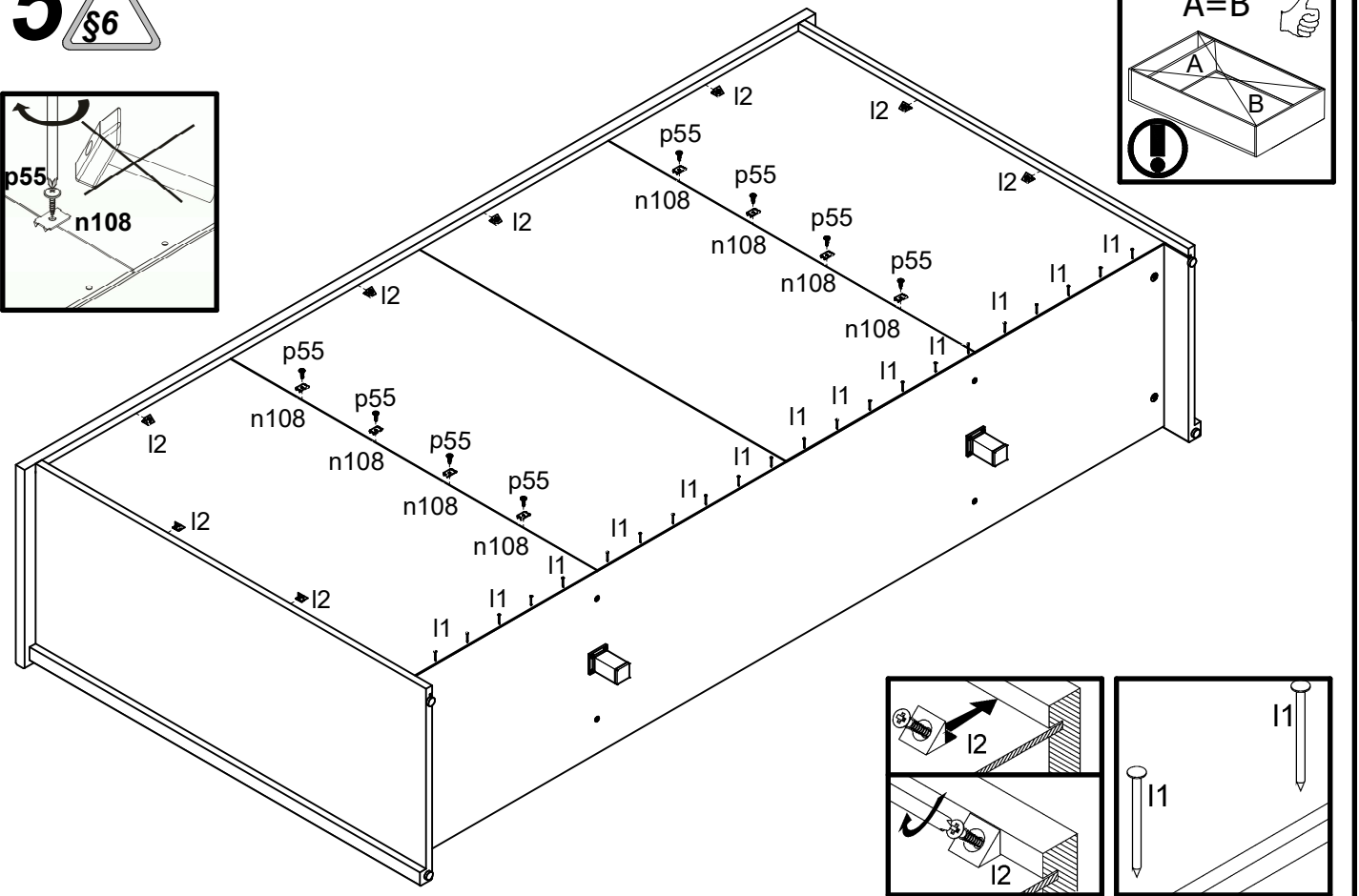
3 §6



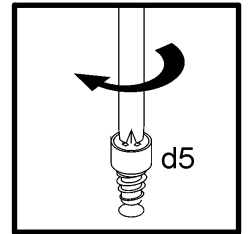
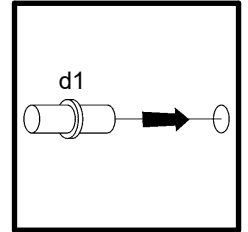
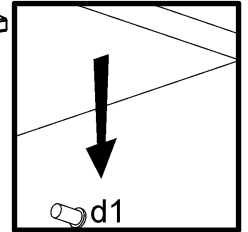
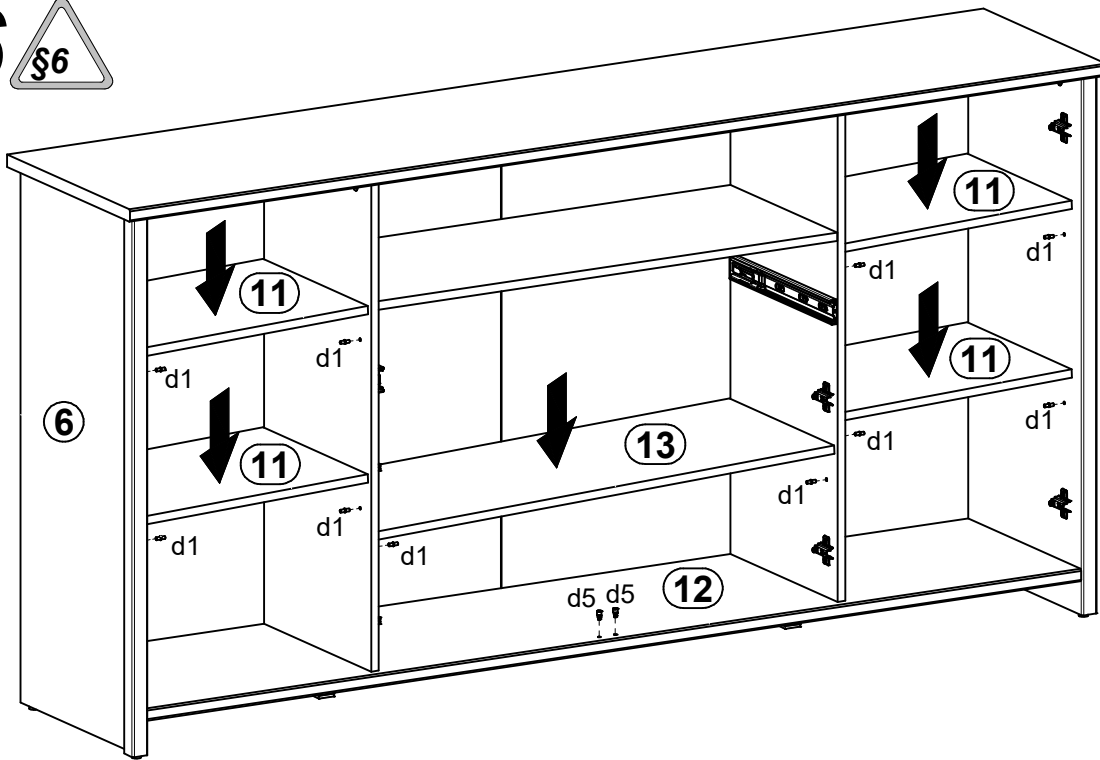
**4** §6



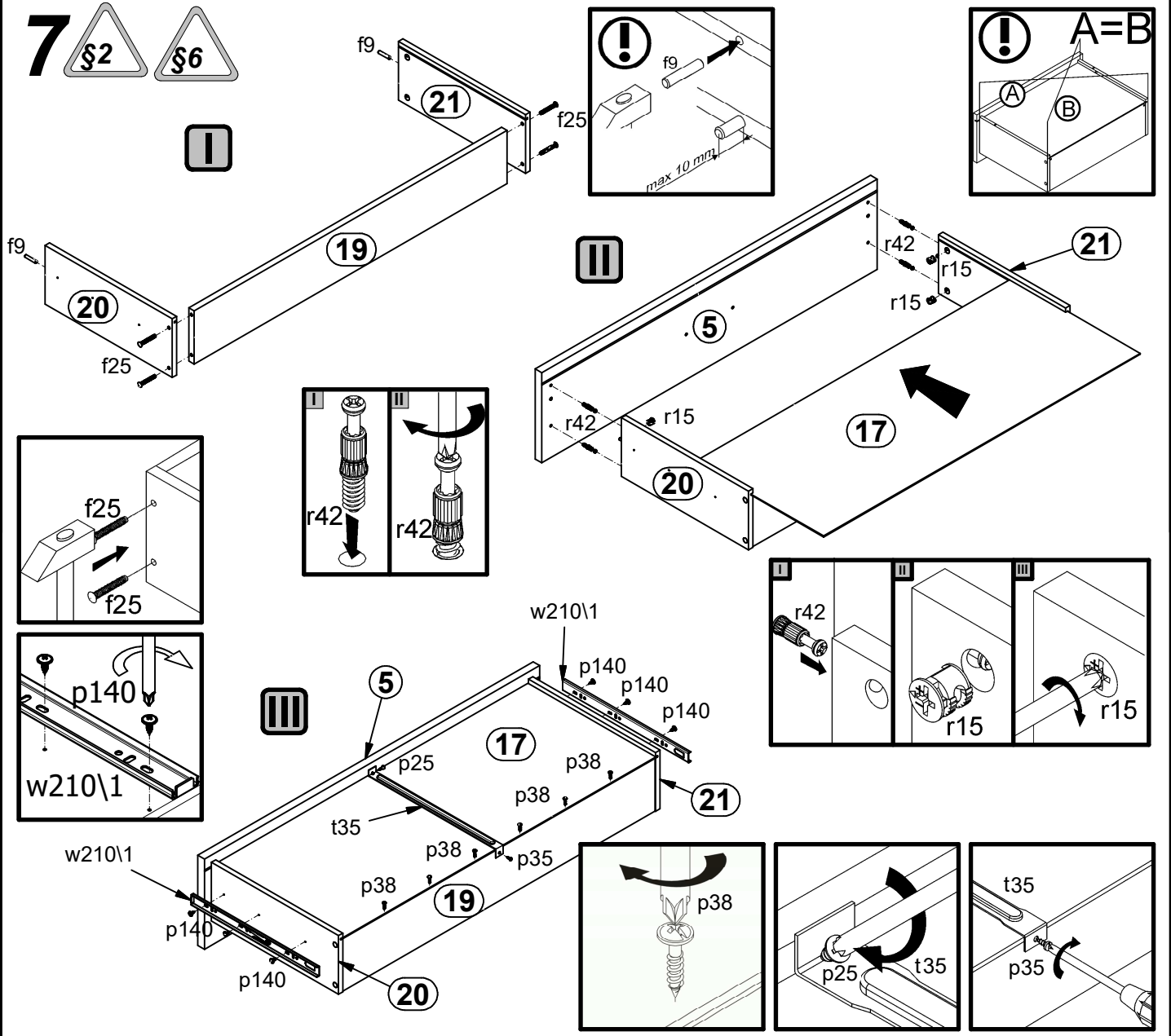
**5** §6



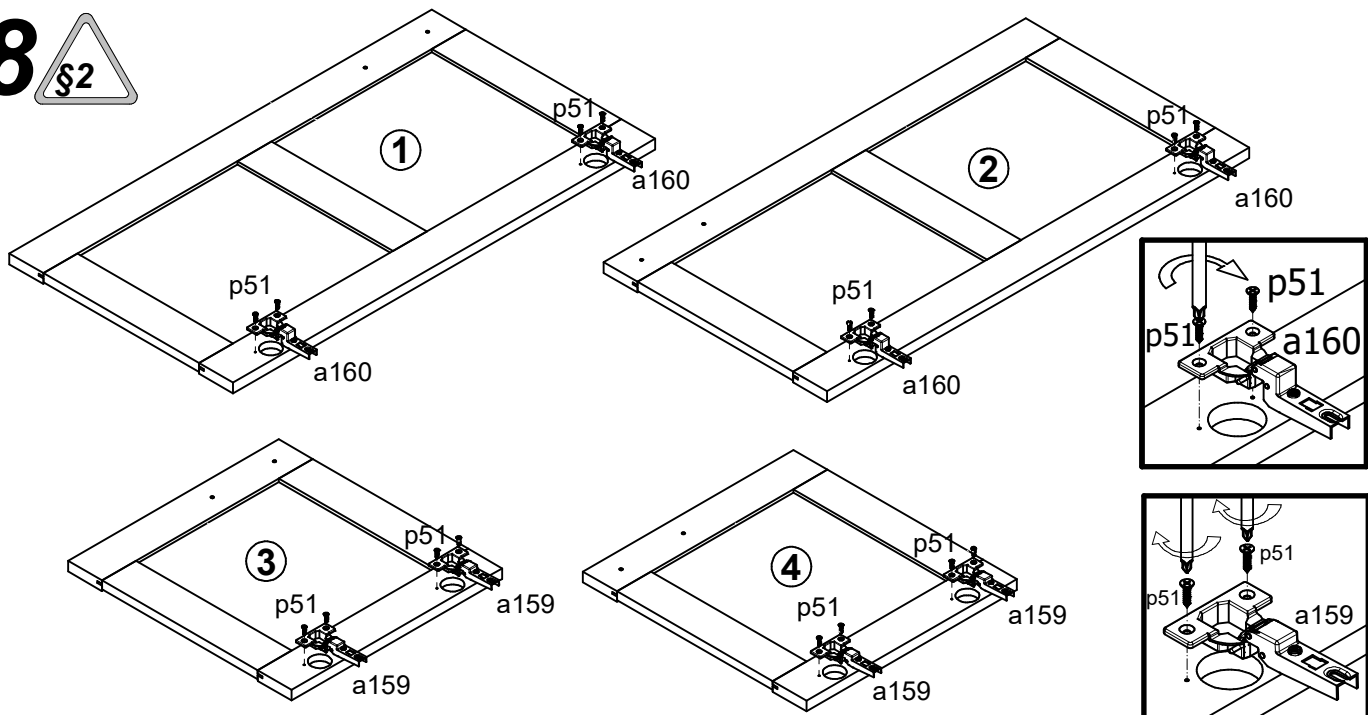
# 6



# 7



# 8



# 9

