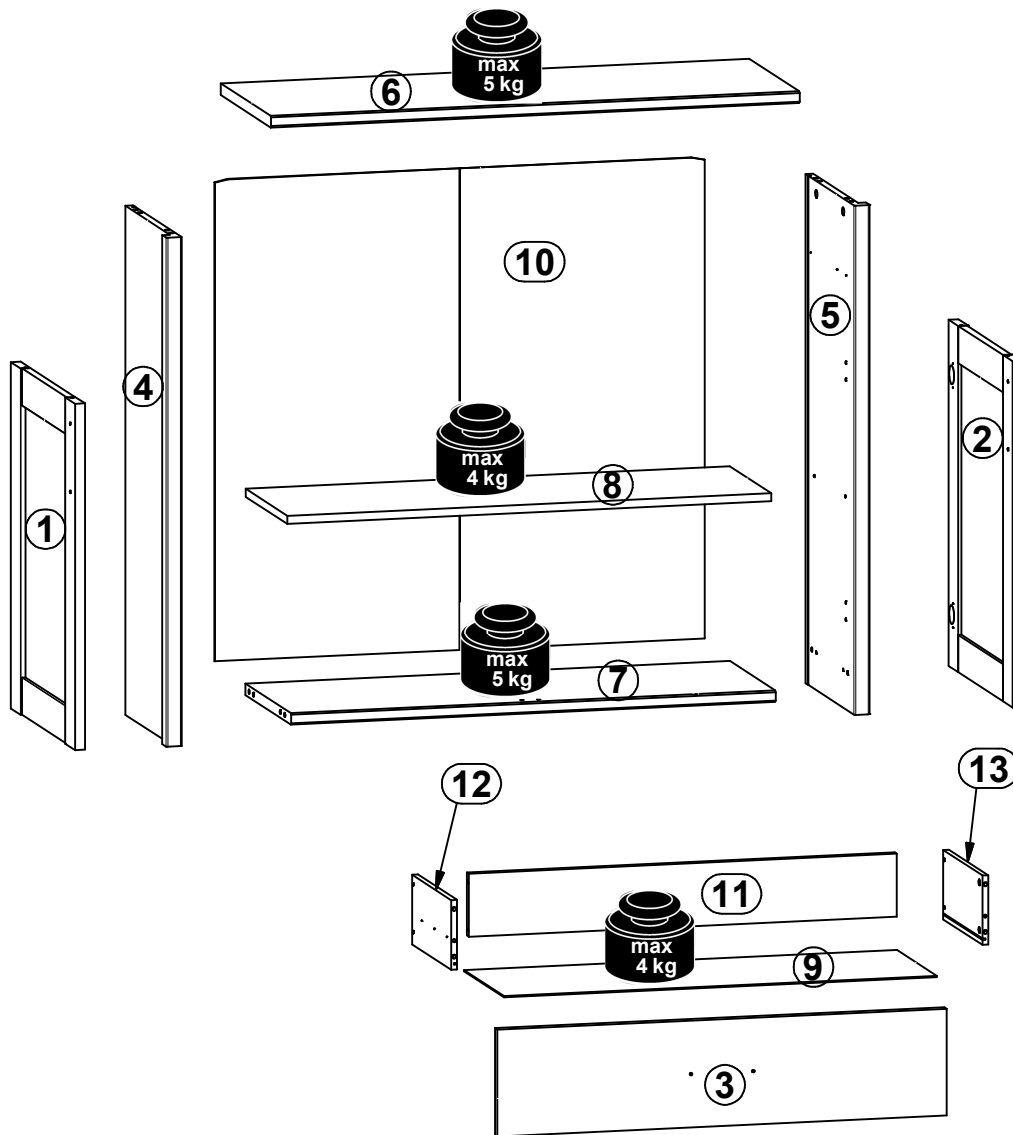
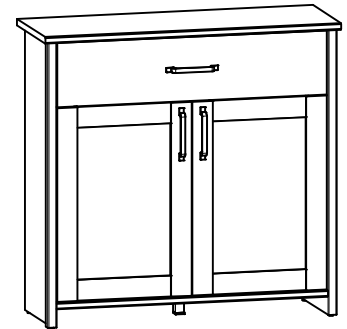
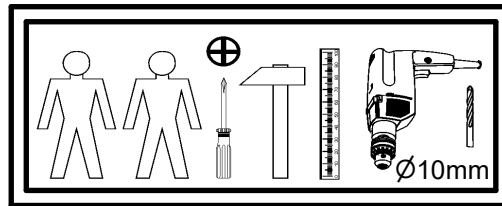
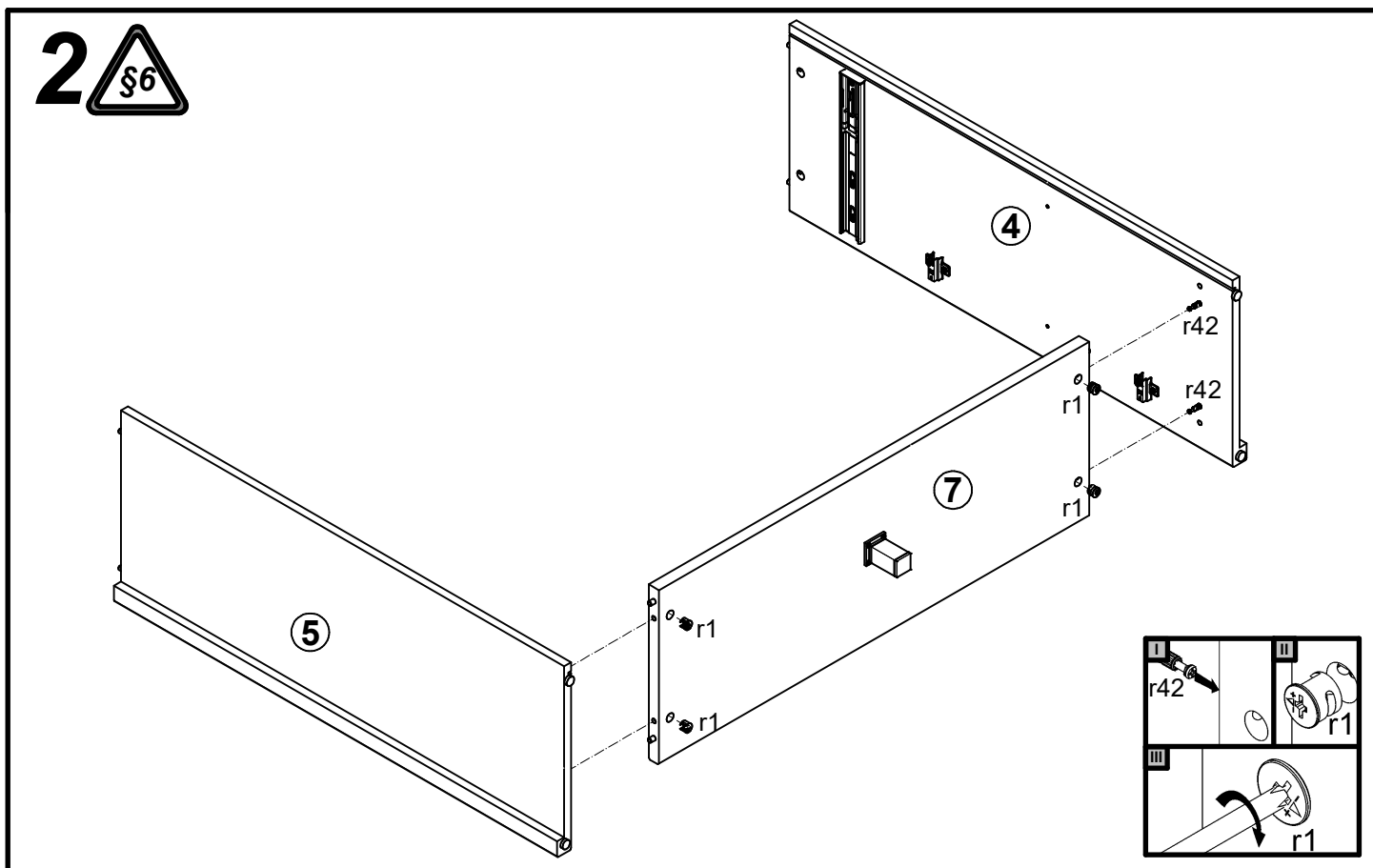
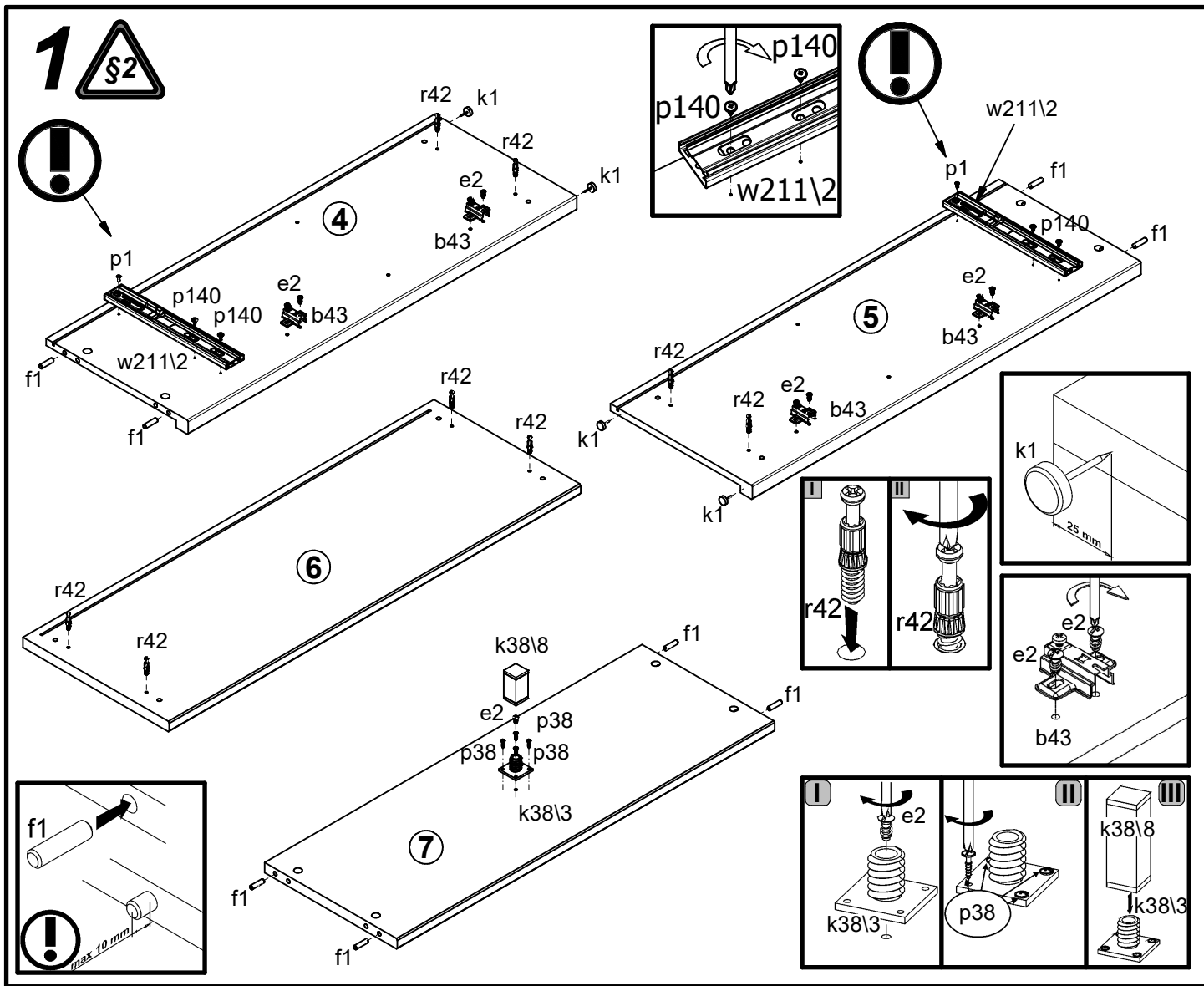


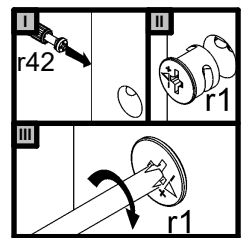
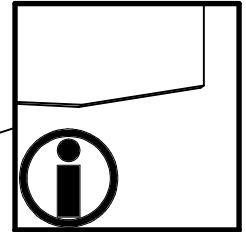
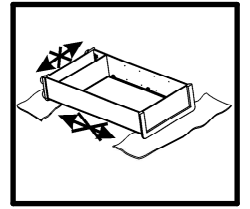
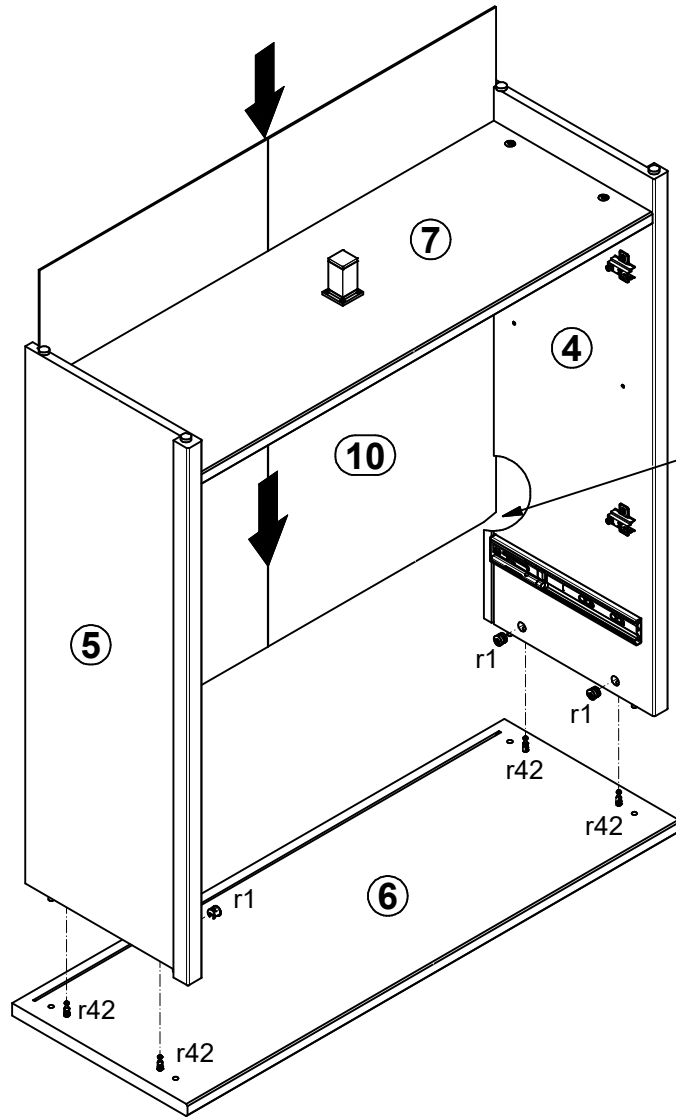
A	B	C	D
1	S455-0006	651	460
2	S455-0007	651	460
3	S455-0008	923	215
4	S455-1009	957	350
5	S455-1010	957	350
6	S455-2005	1013	361
7	S455-3010	929	327
8	S455-3011	928	298
9	S455-9002	889	305
10	S455-9304	905	939
11	ZK3-5045	879	127
12	ZK4-511	300	140
13	ZK4-512	300	140



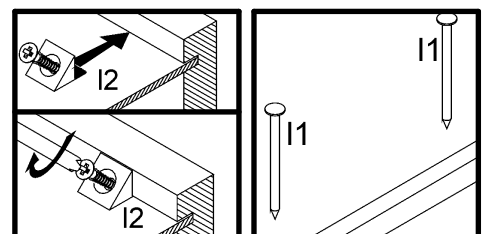
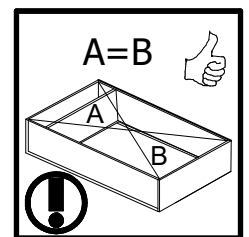
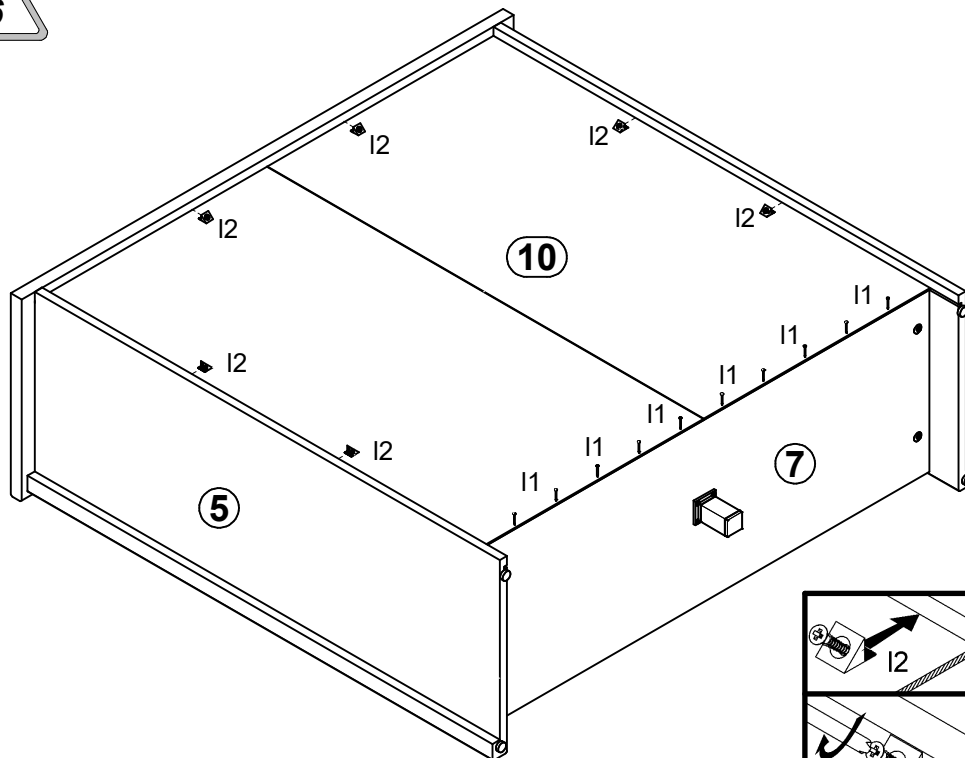
2x  a133	4x  a160	4x  b43	3x  c526 128mm	4x  d1 Ø5x17 mm	2x  d5 Ø6,3x15 mm	9x  e2 Ø6,3x13 mm	8x  f1 Ø8x30 mm	2x  f9 Ø6x30 mm
4x  f25 Ø6,5x40 mm	4x  k1	1x  k38l3 42,5x42,5x4 mm	1x  k38l8 30x30x60 mm	10x  l1 1,4x20 mm	6x  l2	2x  p1 Ø3,5x13 mm	6x  p9 Ø4x30 mm	1x  p25 Ø3,5x16 mm
1x  p35 Ø3,5x10 mm	10x  p38 Ø3,5x16 mm	8x  p51 Ø3,5x15 mm	10x  p140 Ø3,5x12 mm	8x  r1 Ø15x12 mm #16	4x  r15 Ø12x10,5 mm #12	12x  r42 20/11	2x  w211\1 L=300 mm	2x  w211\2 L=300 mm
1x  t25 300 mm							1x  n26	1x  p38 Ø3,5x16 mm



3 §6

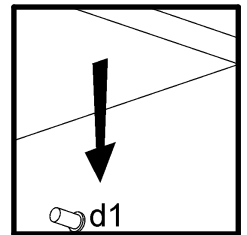
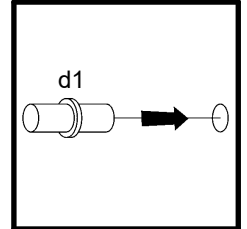
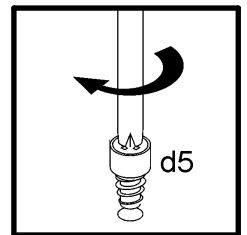
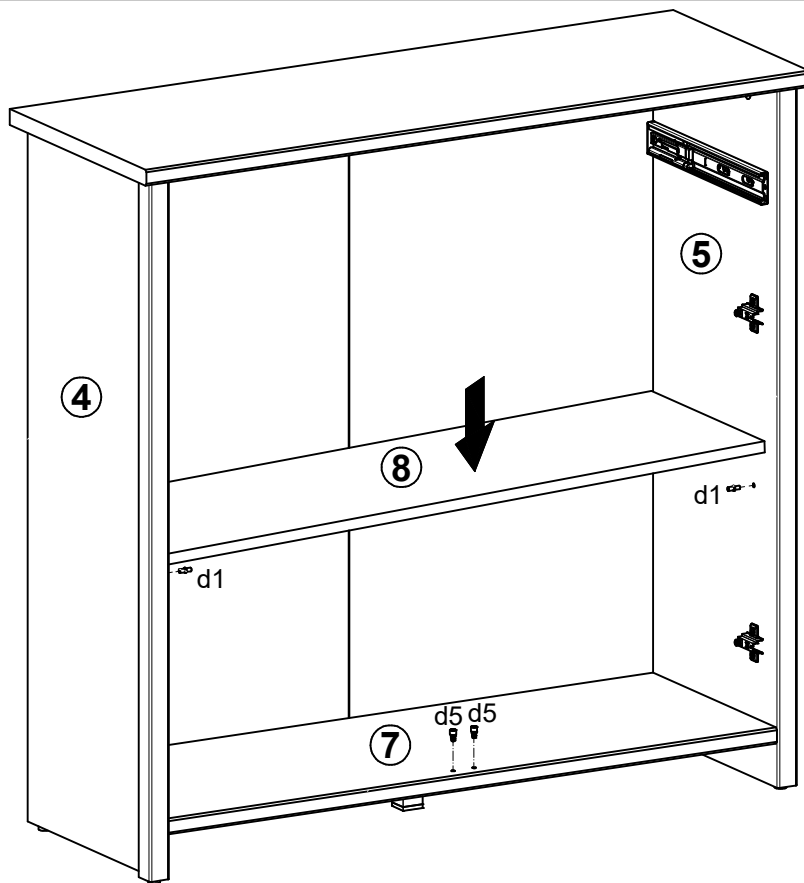


4 §6



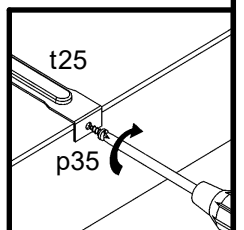
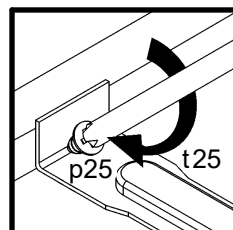
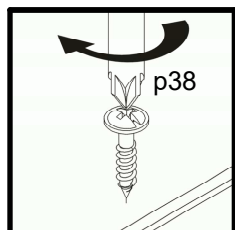
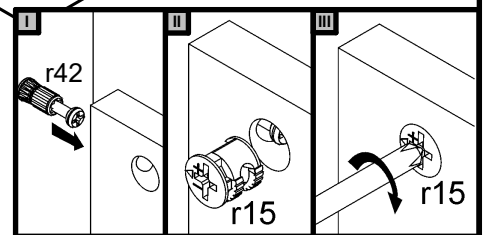
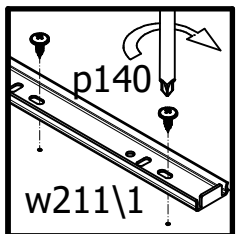
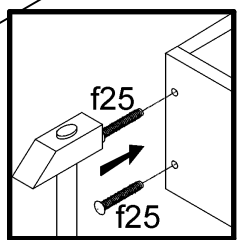
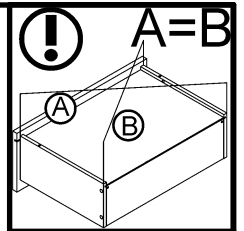
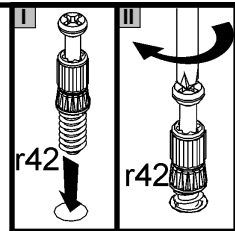
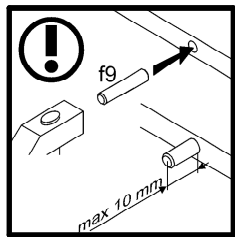
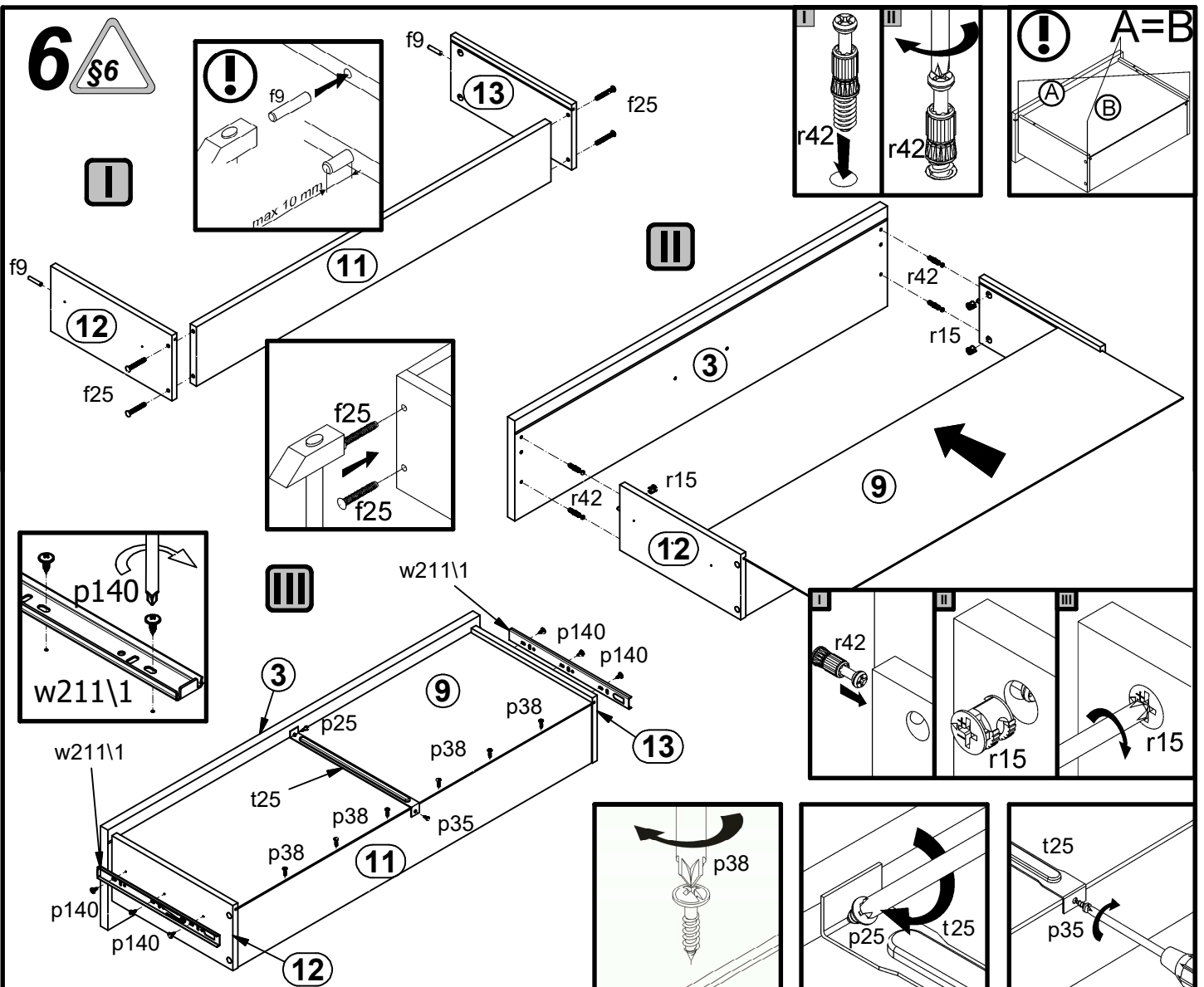
# 5

§6

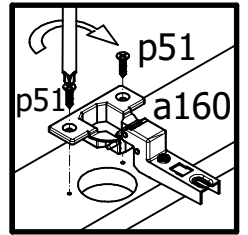
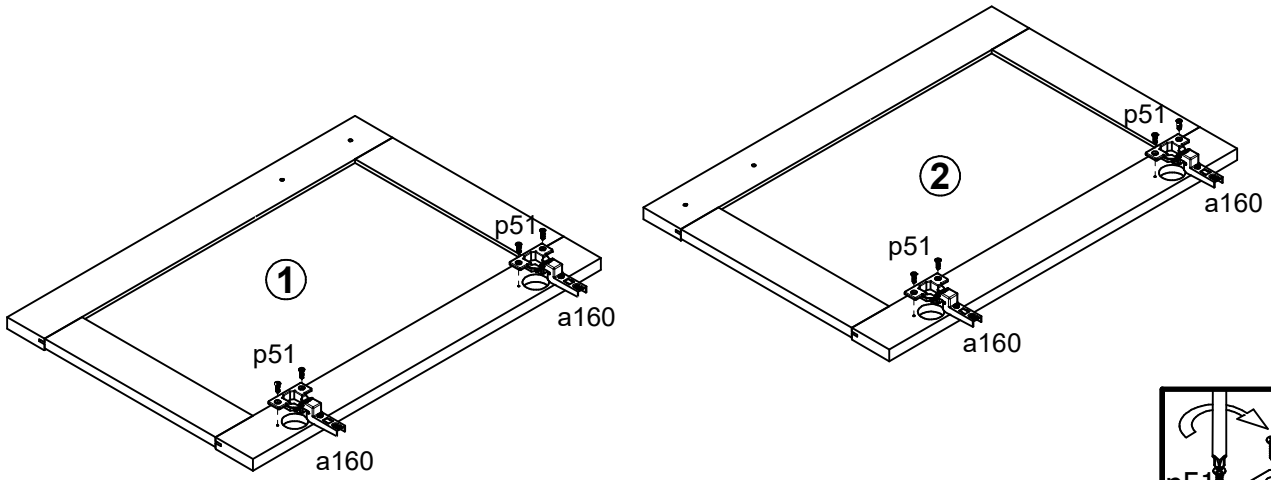


# 6

§6



# 7



# 8

