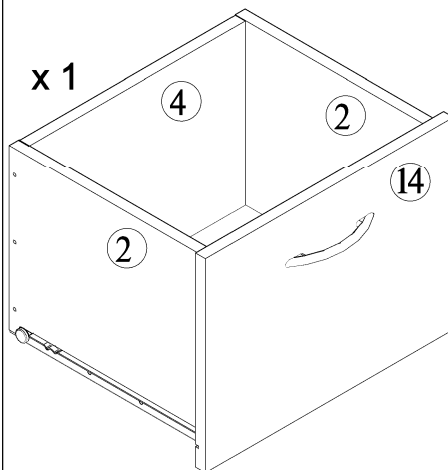
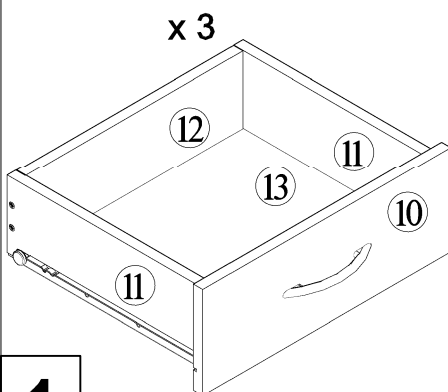
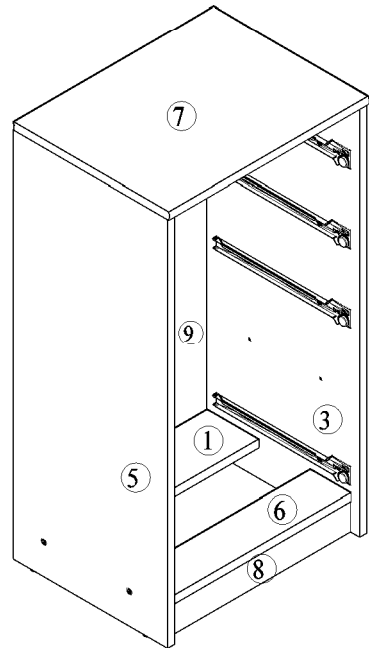
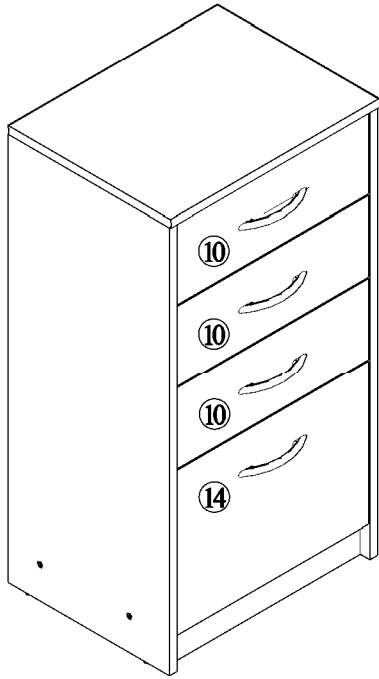
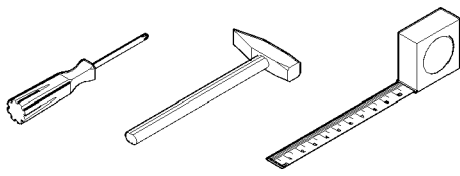


Montageanleitung

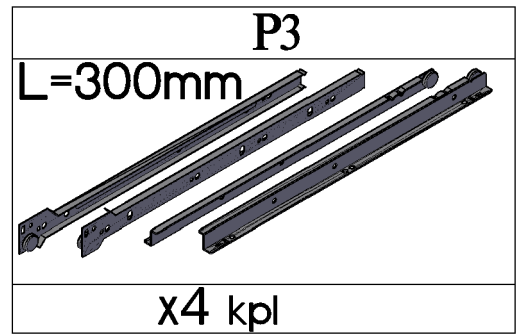
MODEL K14S



1

Q7	C +7x50	S1	H6 +4x40
			 US 031.03
x1	x4	x4	x18

W	E	O2 +6x8	H +3,5x13
		 034.05	 US 031.03
x100	x4	x16	x16



A	glue
x30	x2

Z	Z1	D1 L=34mm	S7
x4	x4	x4	x6

J7 +3x25	J8
x8	x4