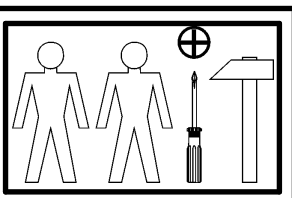
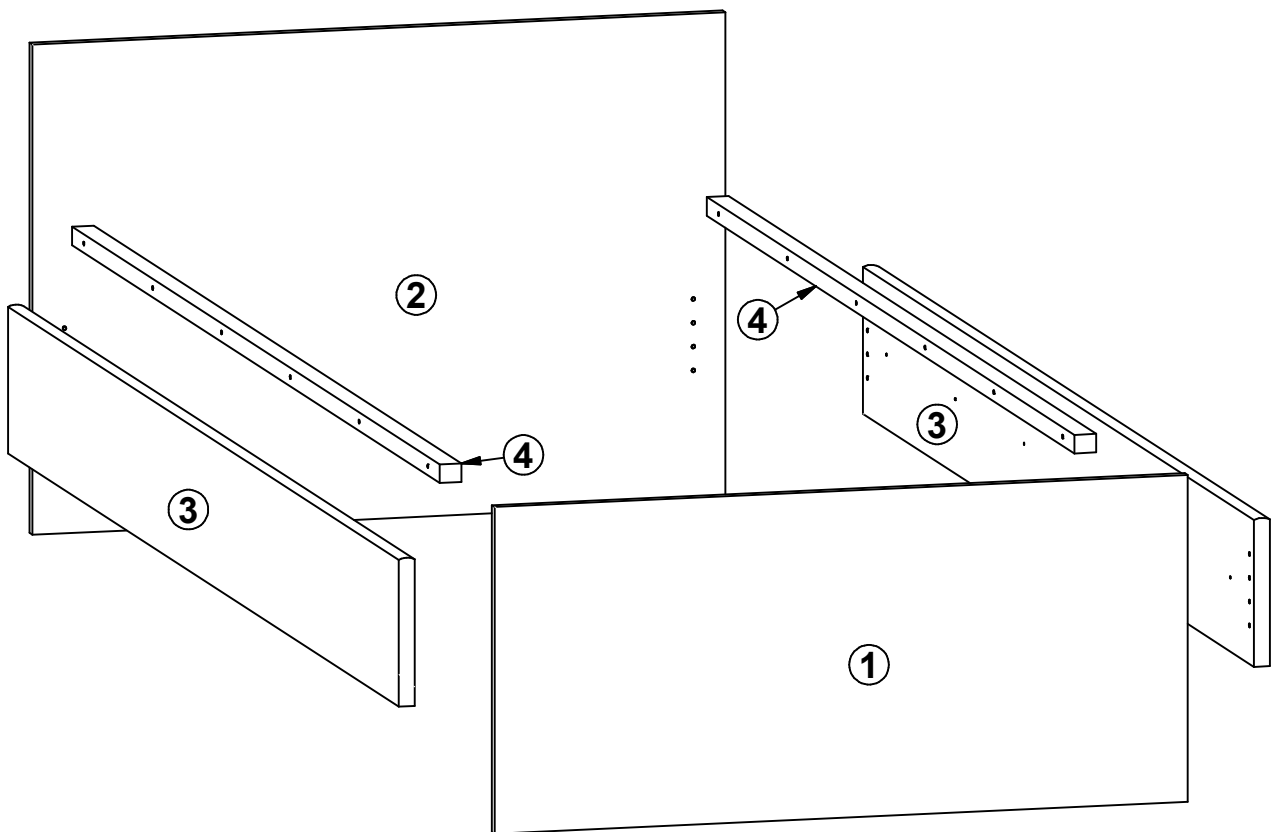
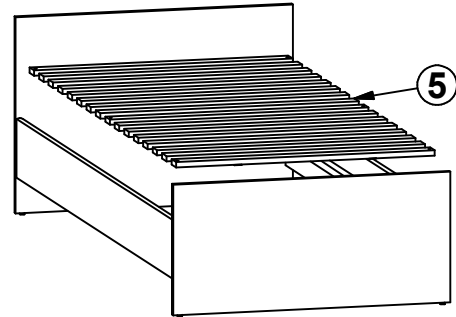
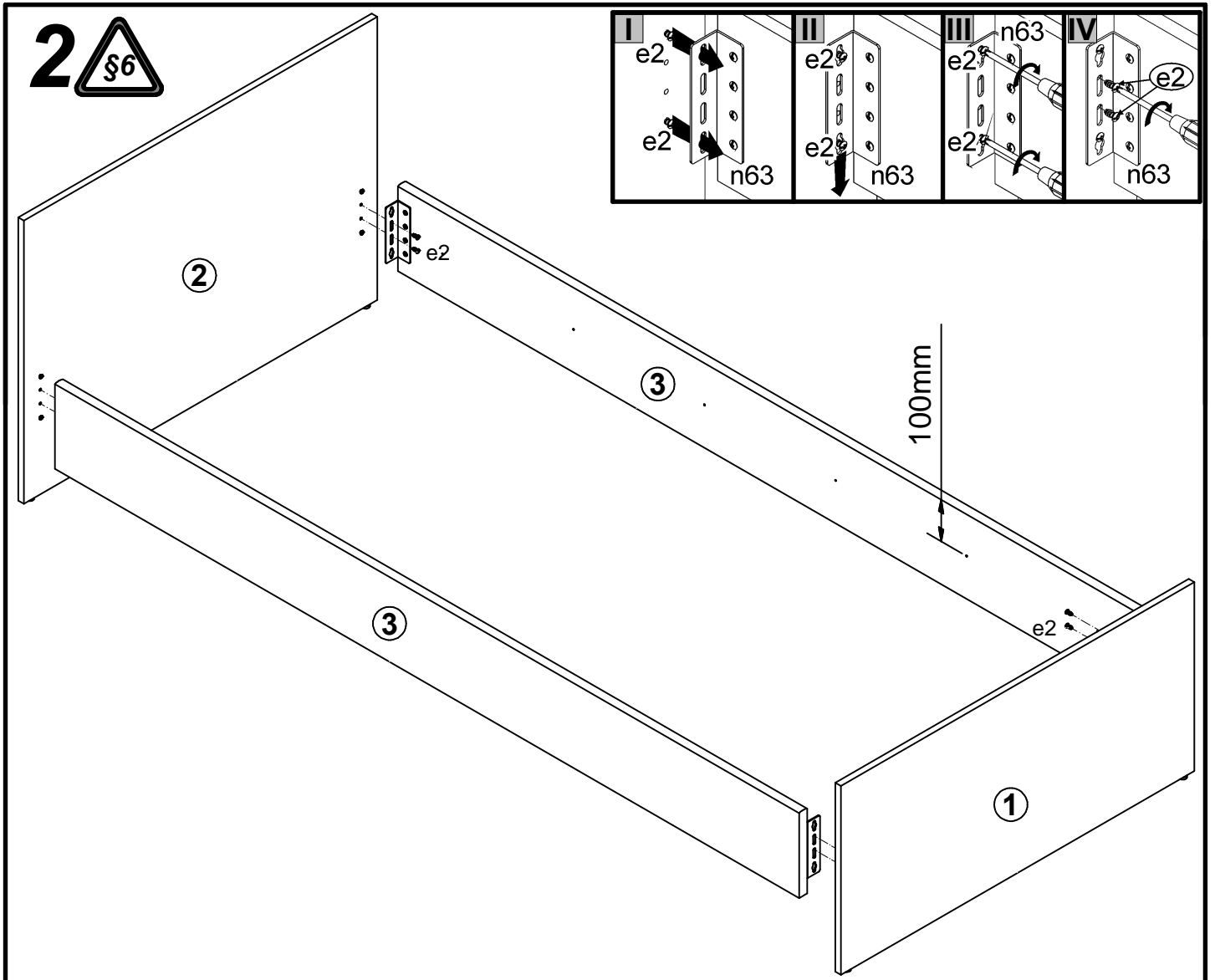
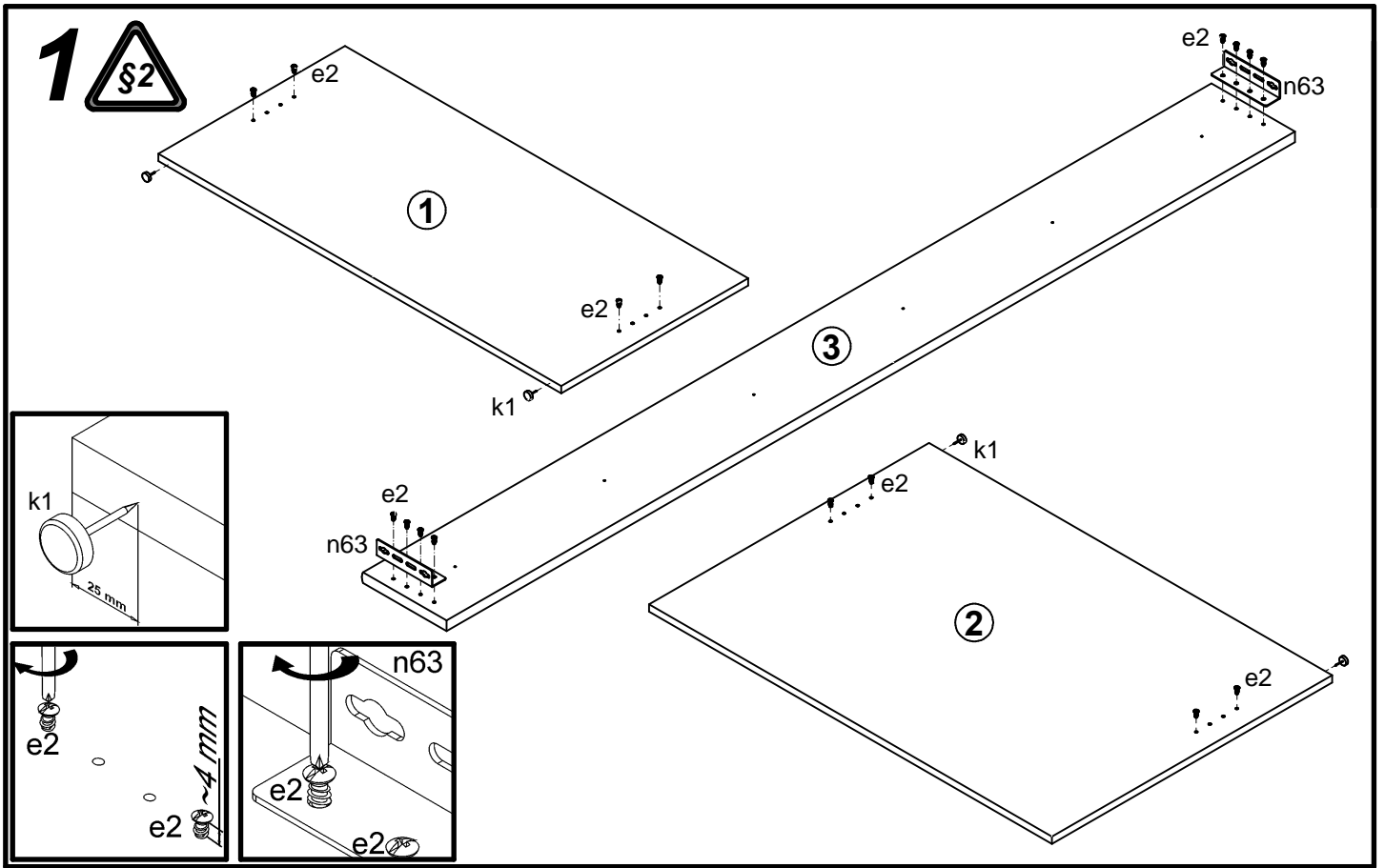


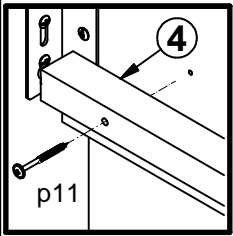
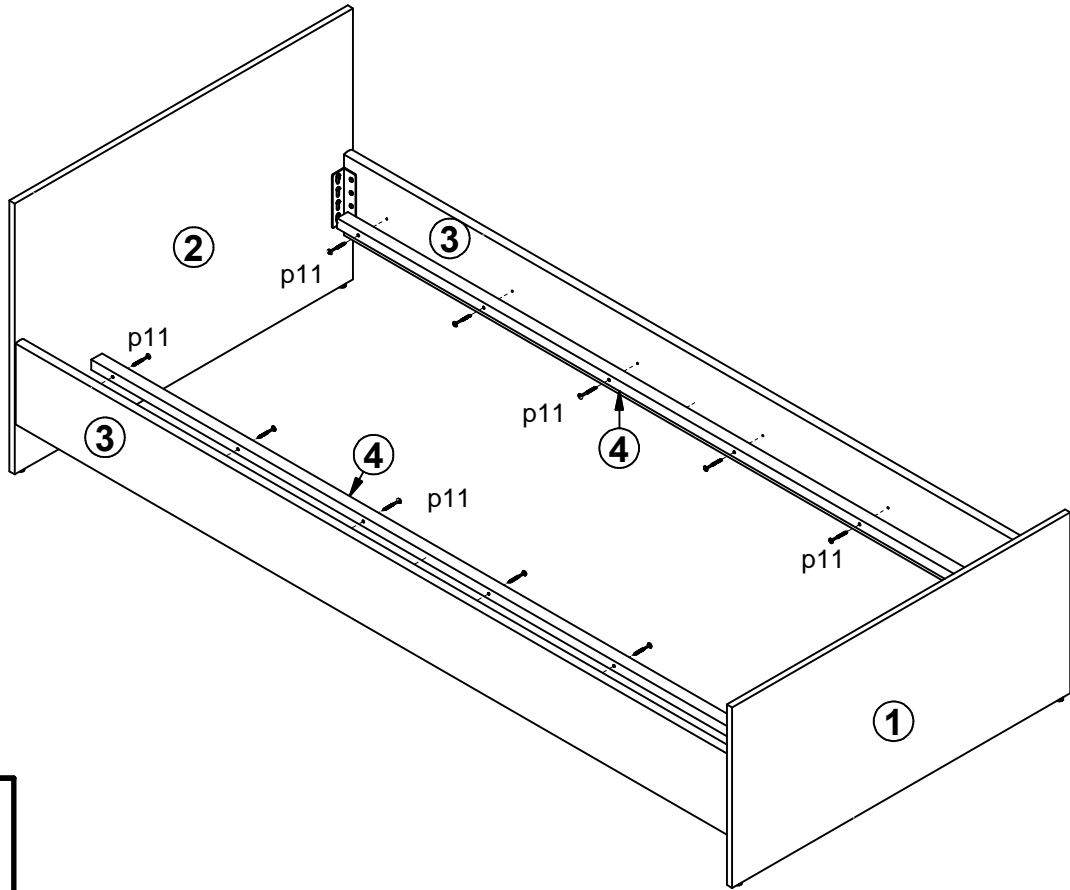
A	B	C	D	
1	S301-016	950	440	1/2
2	S301-017	950	660	1/2
3	S301-131	2000	200	2/2
4	ZZ1-720	1880	25	2/2
5		1872	886	1/1



32x Ø6.3x13 mm e2	4x k1	4x 130x34x34/2 mm n63	6x Ø4x35 mm p6	12x Ø4x45 mm p11
-------------------------	----------	-----------------------------	----------------------	------------------------



3



4

