

A

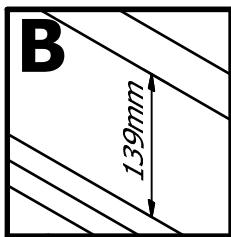
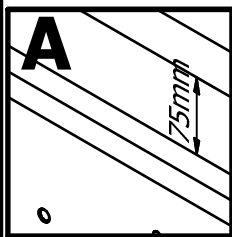
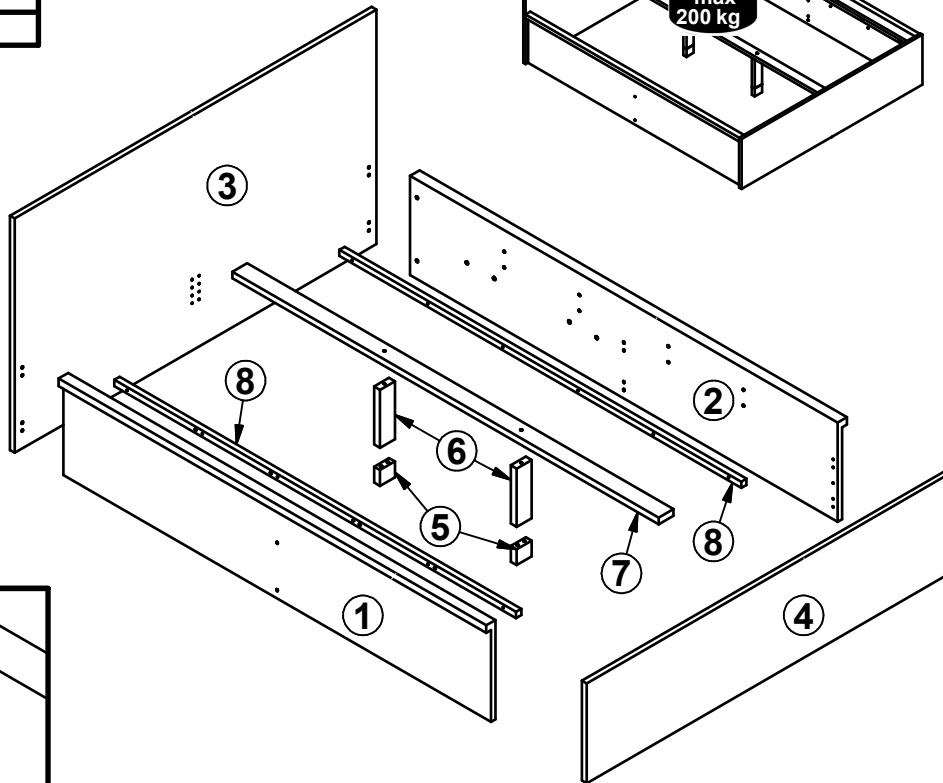
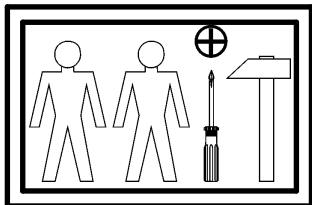
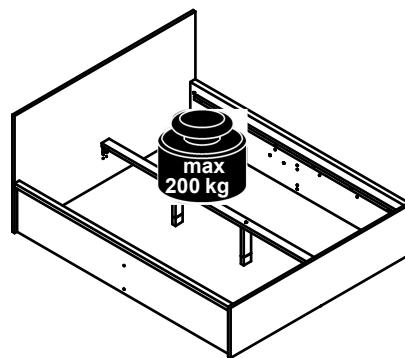
TETRIX

S442-LOZ/160/A S442-LOZ/160/B

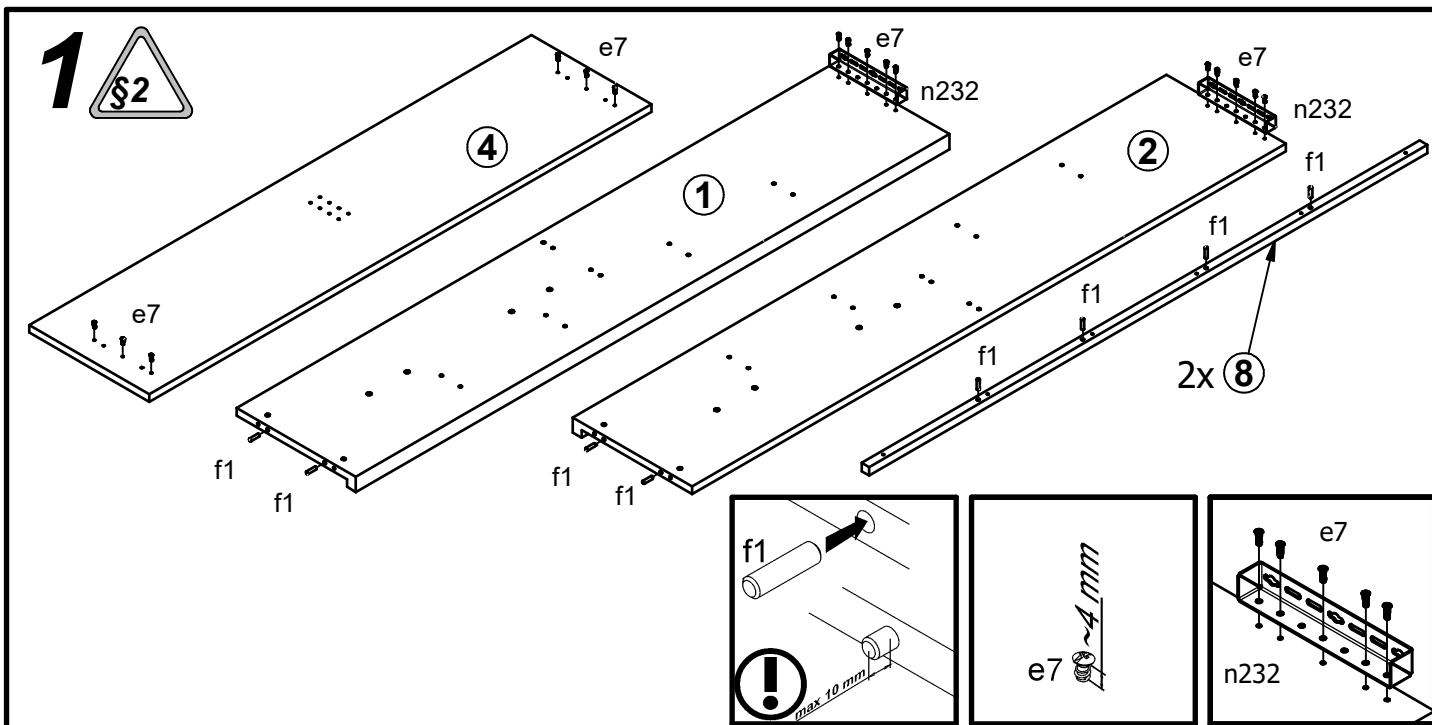
A	B	C	D
1	S442-1001	2000	402 2/3
2	S442-1002	2000	402 2/3
3	S442-4001	1692	950 1/3
4	S442-4002	1692	404 1/3
5	ZZ1-431	64	70 3/3
6	ZZ1-464	235	70 3/3
7	ZZ1-718	1995	70 3/3
8	ZZ1-747	1880	25 3/3



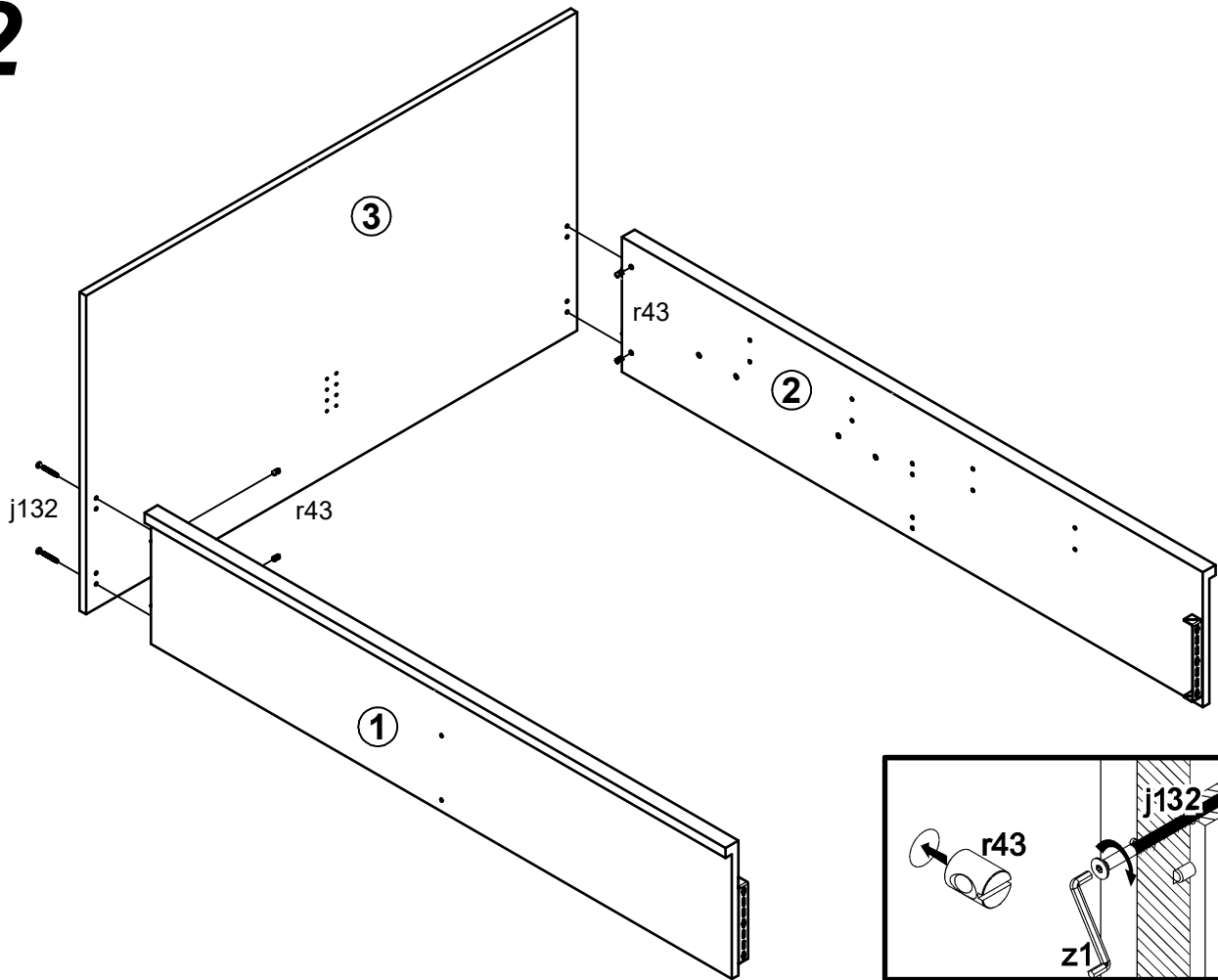
S442-LOZ/160/A



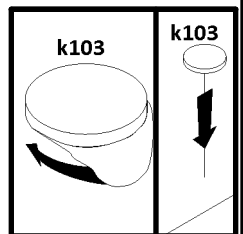
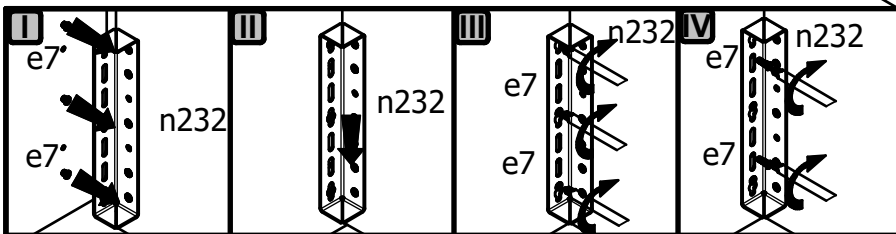
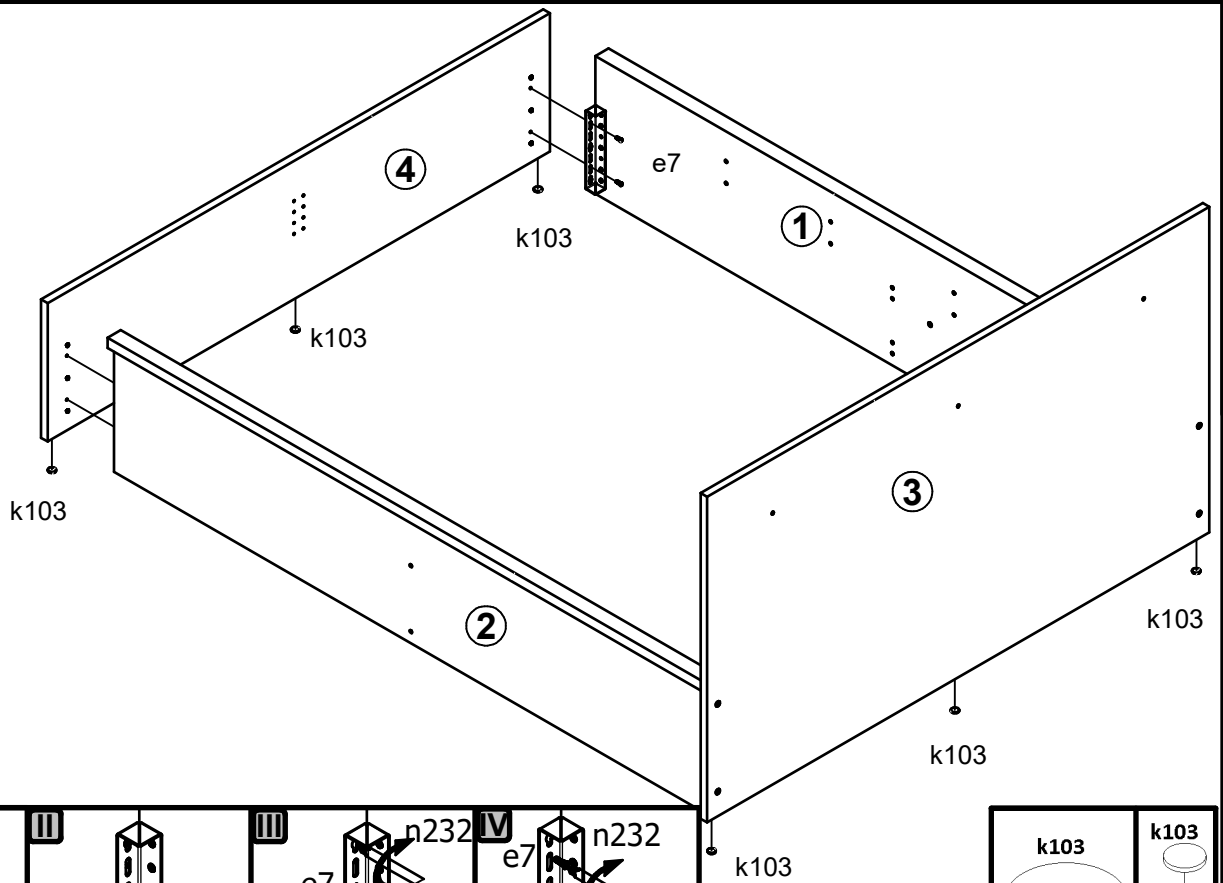
8x Ø6x13 mm e3	20x Ø6.3x16 mm e7	2x Ø7x60 mm e8	12x Ø8x30 mm f1	4x Ø8x50 mm f6	4x M6x65 mm j132	6x Ø20x3mm k103	2x 70x50x45/2 mm n111	2x n232
12x Ø4x40 mm p10	4x Ø3.5x25 mm p16	6x Ø4x35 mm p6	4x Ø10x16 mm r43	4x Ø14x0.5 mm s59	1x 4 mm z1			



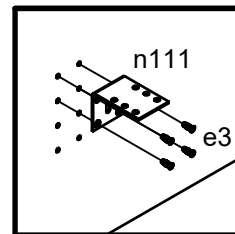
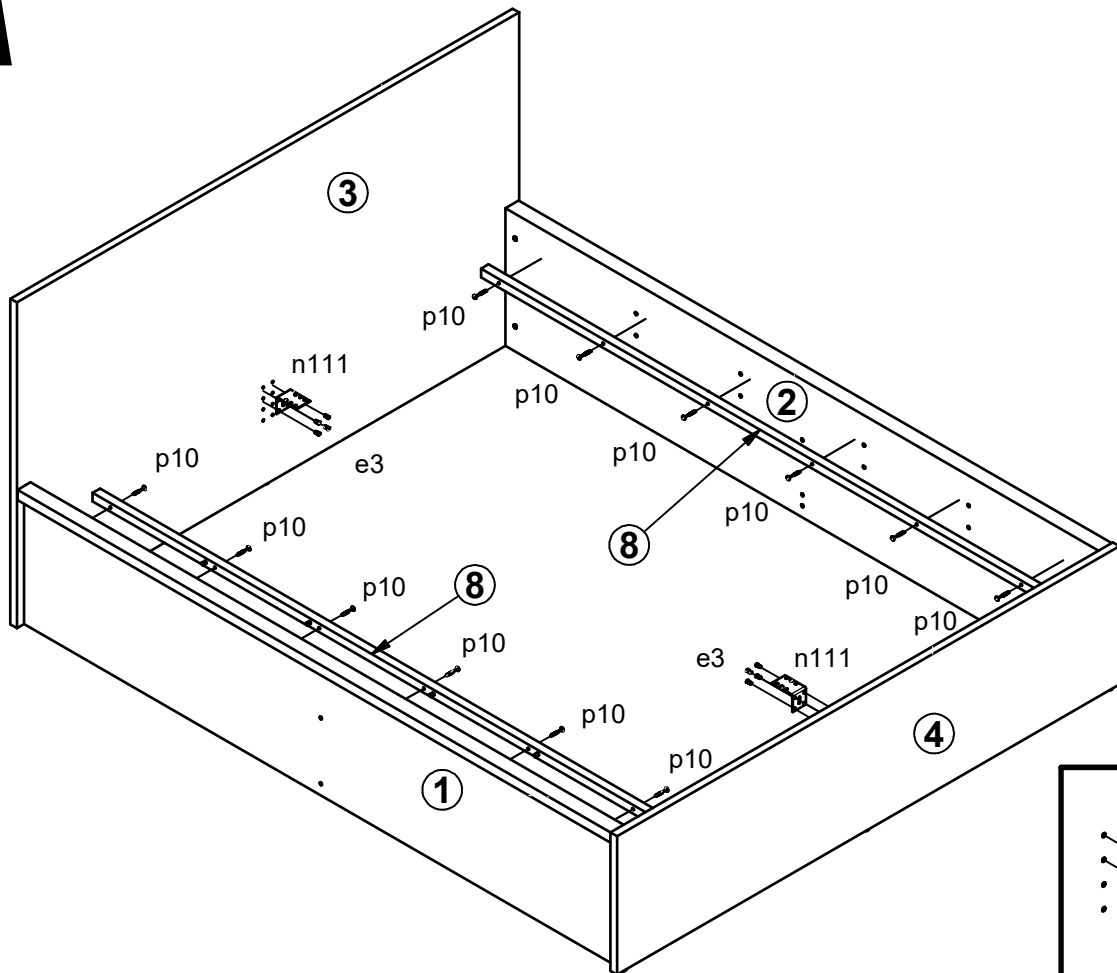
2



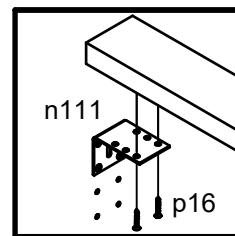
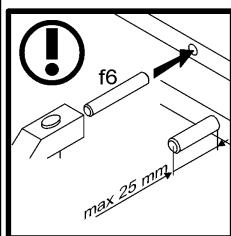
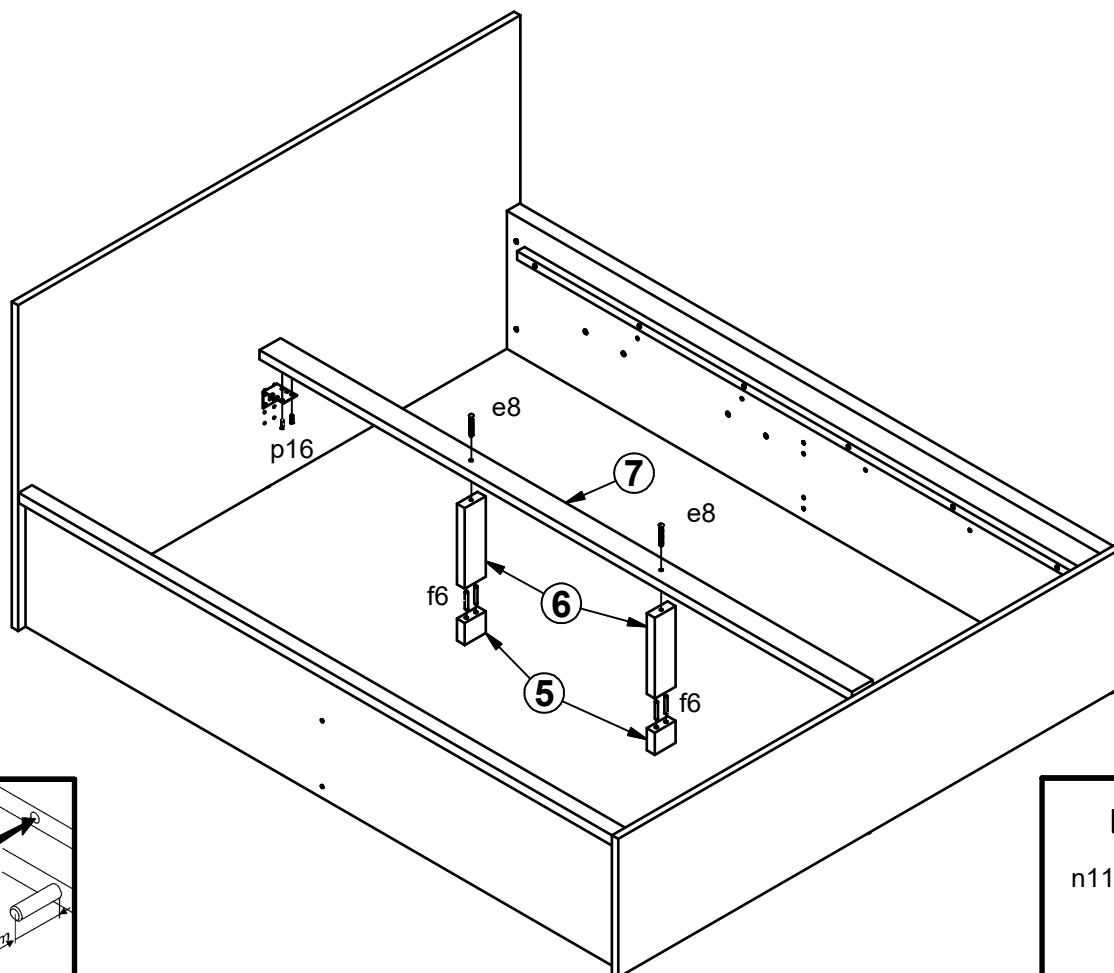
3



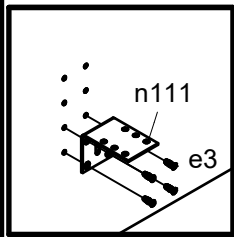
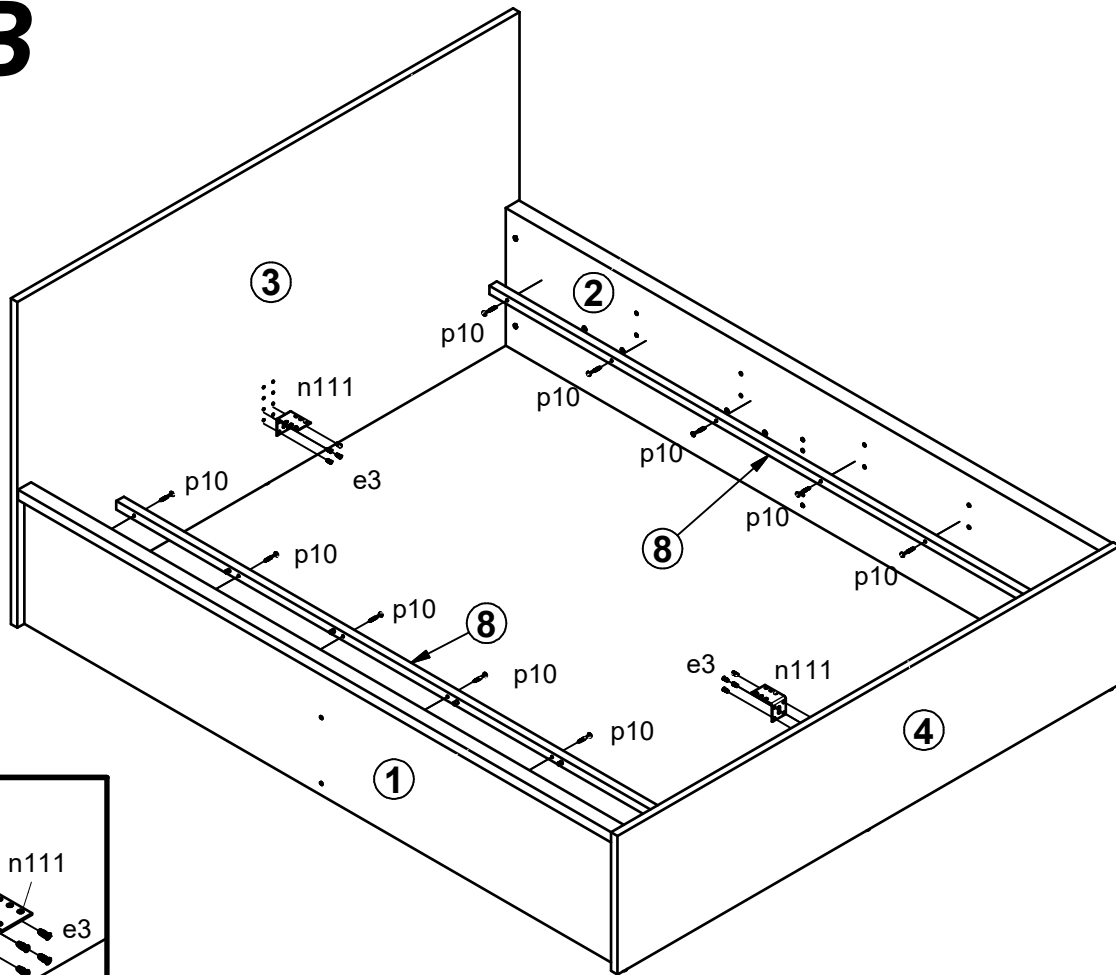
4A



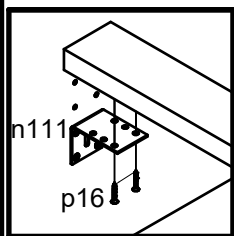
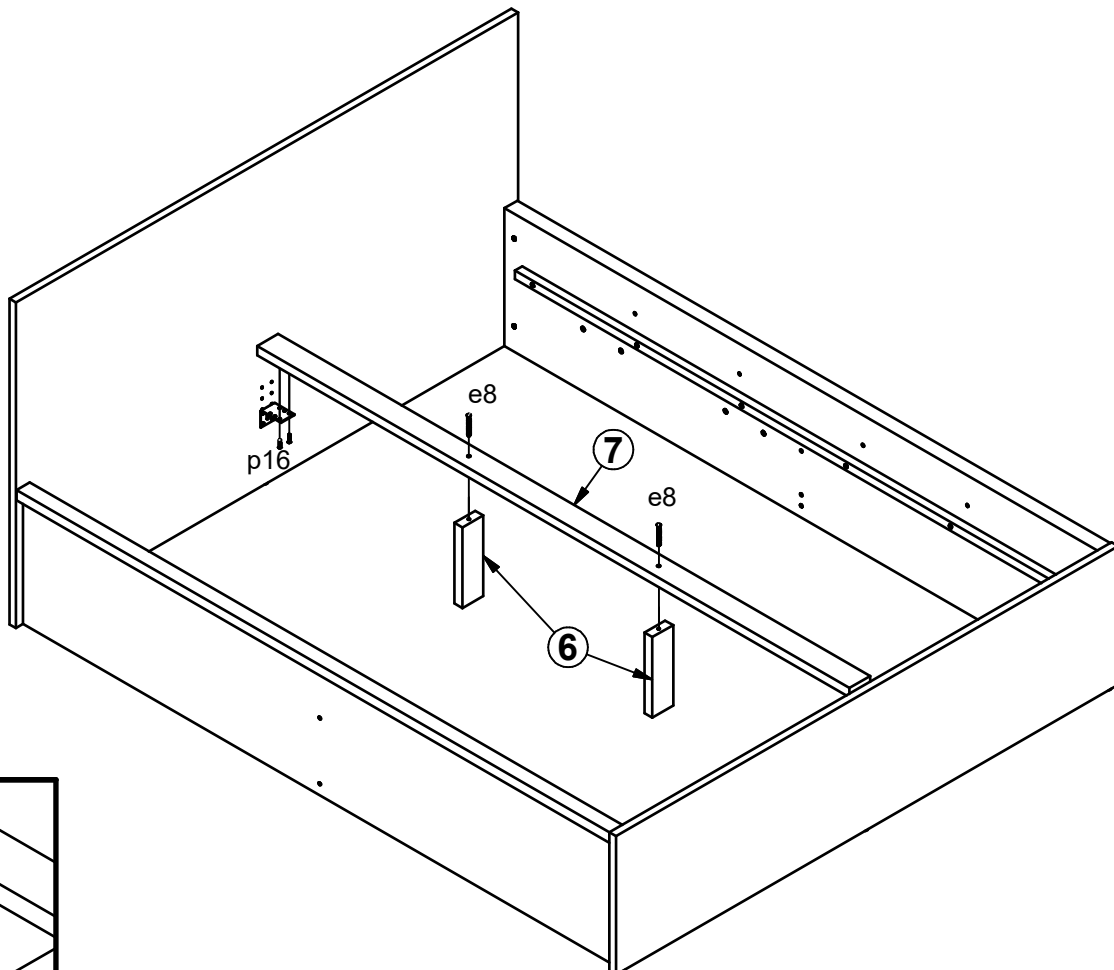
5A



4B

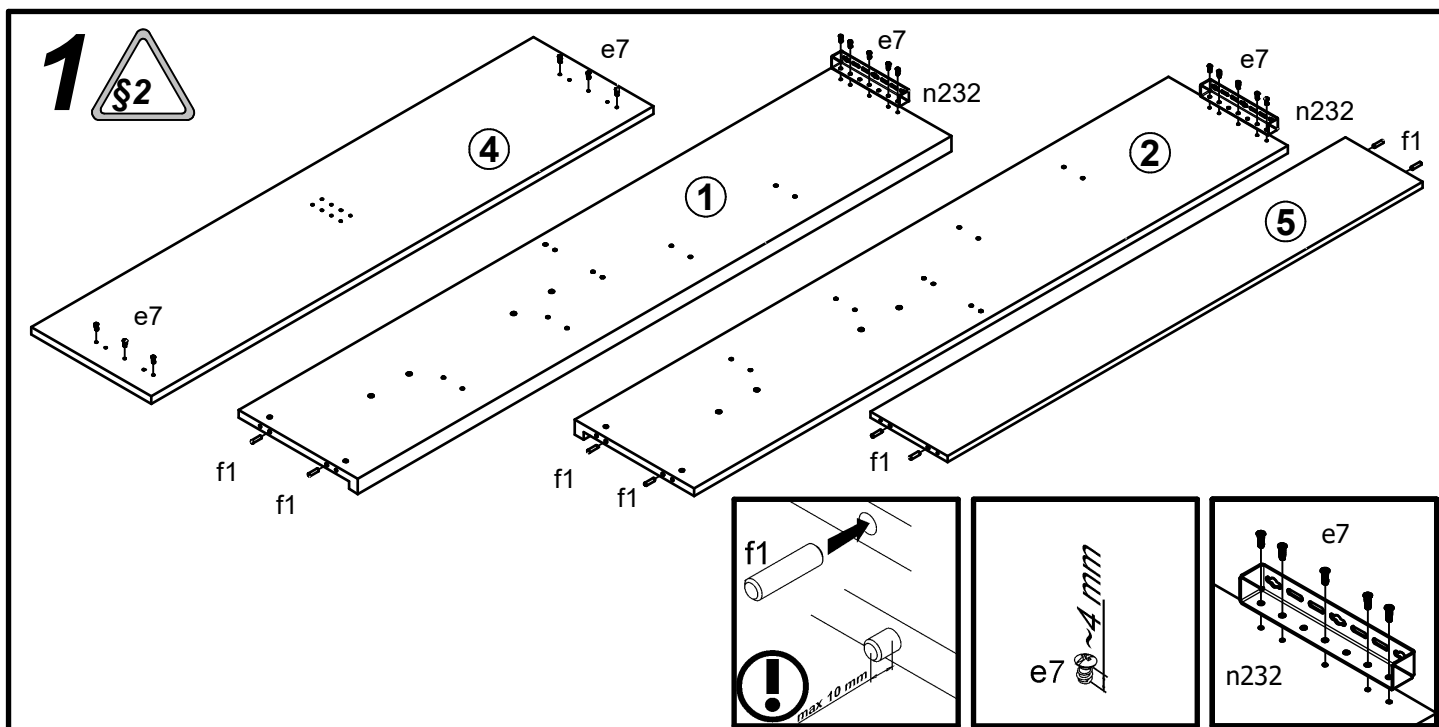
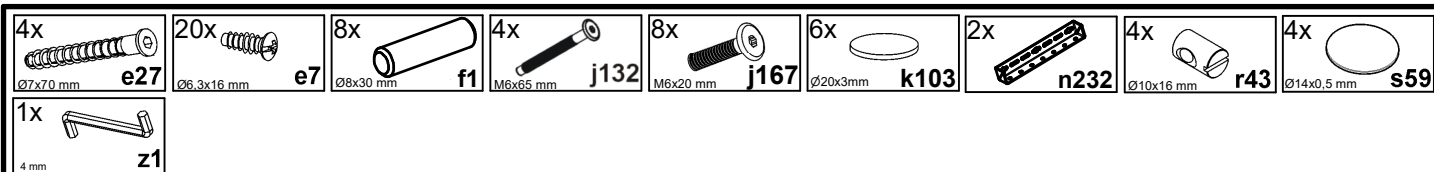
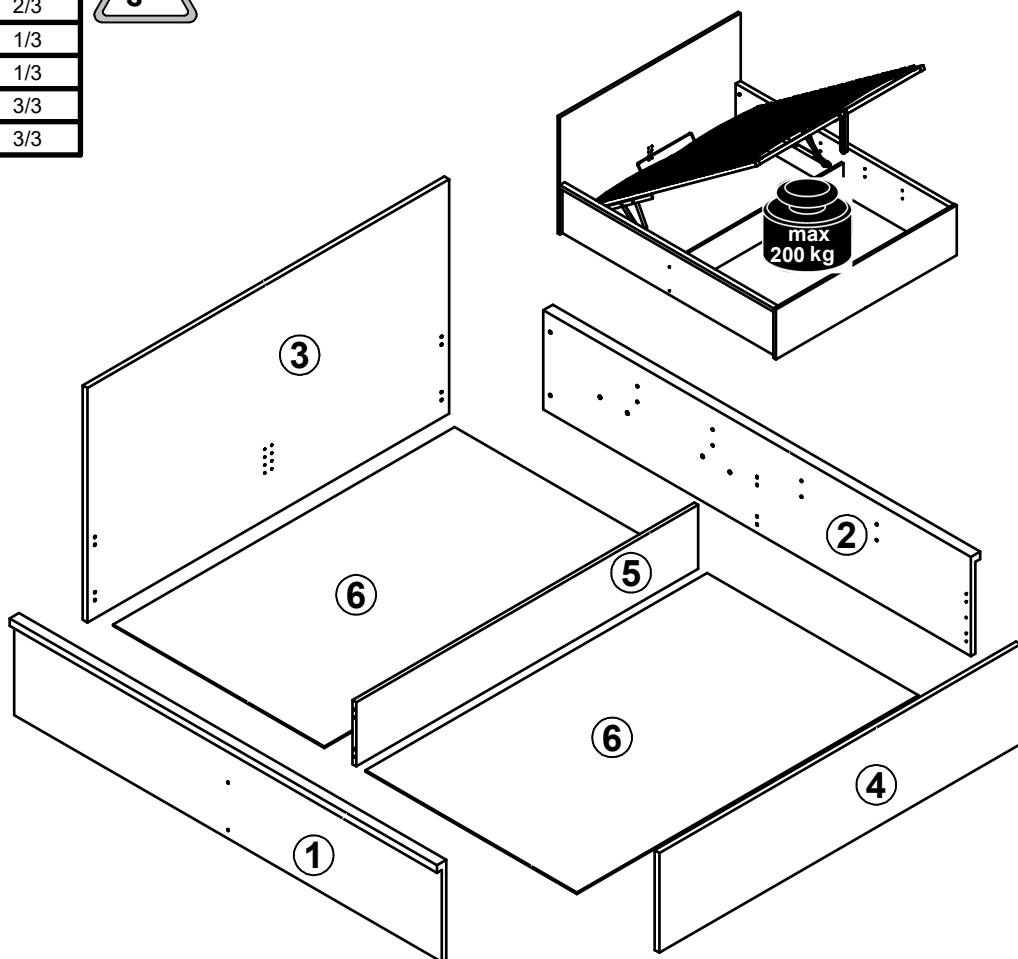
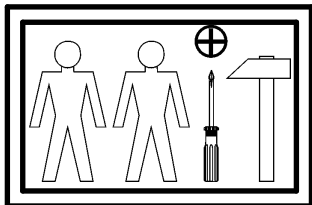


5B

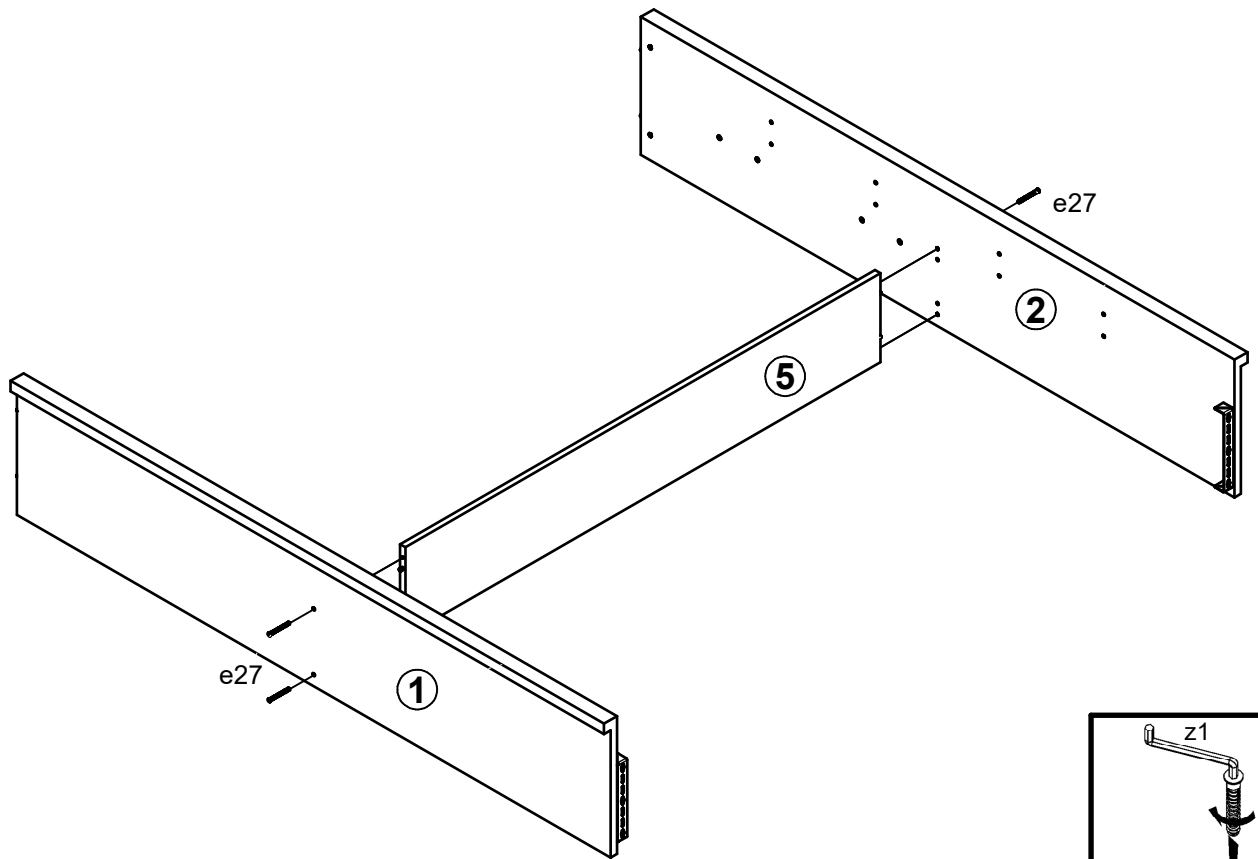


A**TETRIX****S442-LOZ/160/A S442-LOZ/160/B**

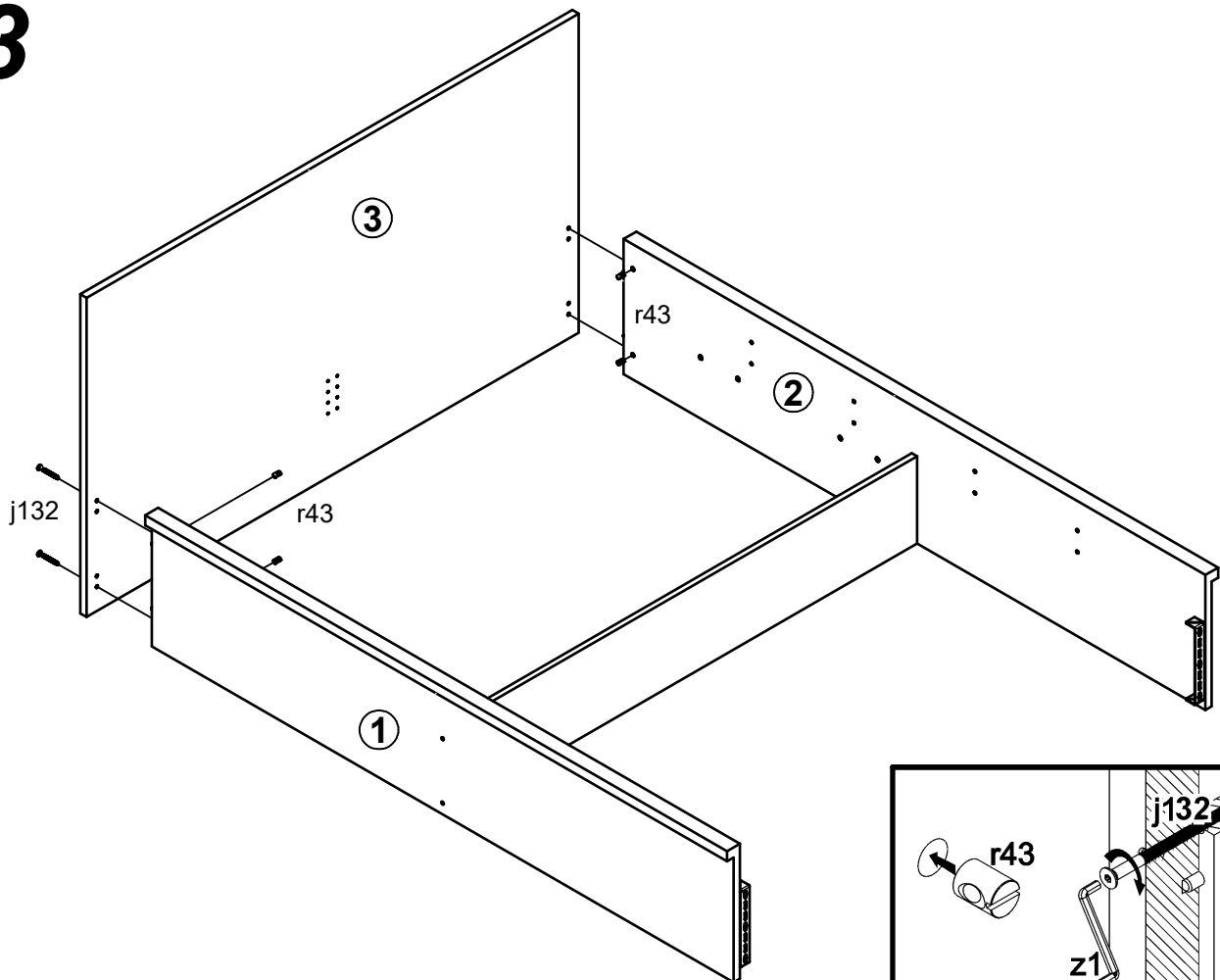
A	B	C	D
1	S442-1001	2000	402
2	S442-1002	2000	402
3	S442-4001	1692	950
4	S442-4002	1692	404
5	S442-4004	1600	260
6	S442-9001	1598	989

**S442-LOZ/160/B**

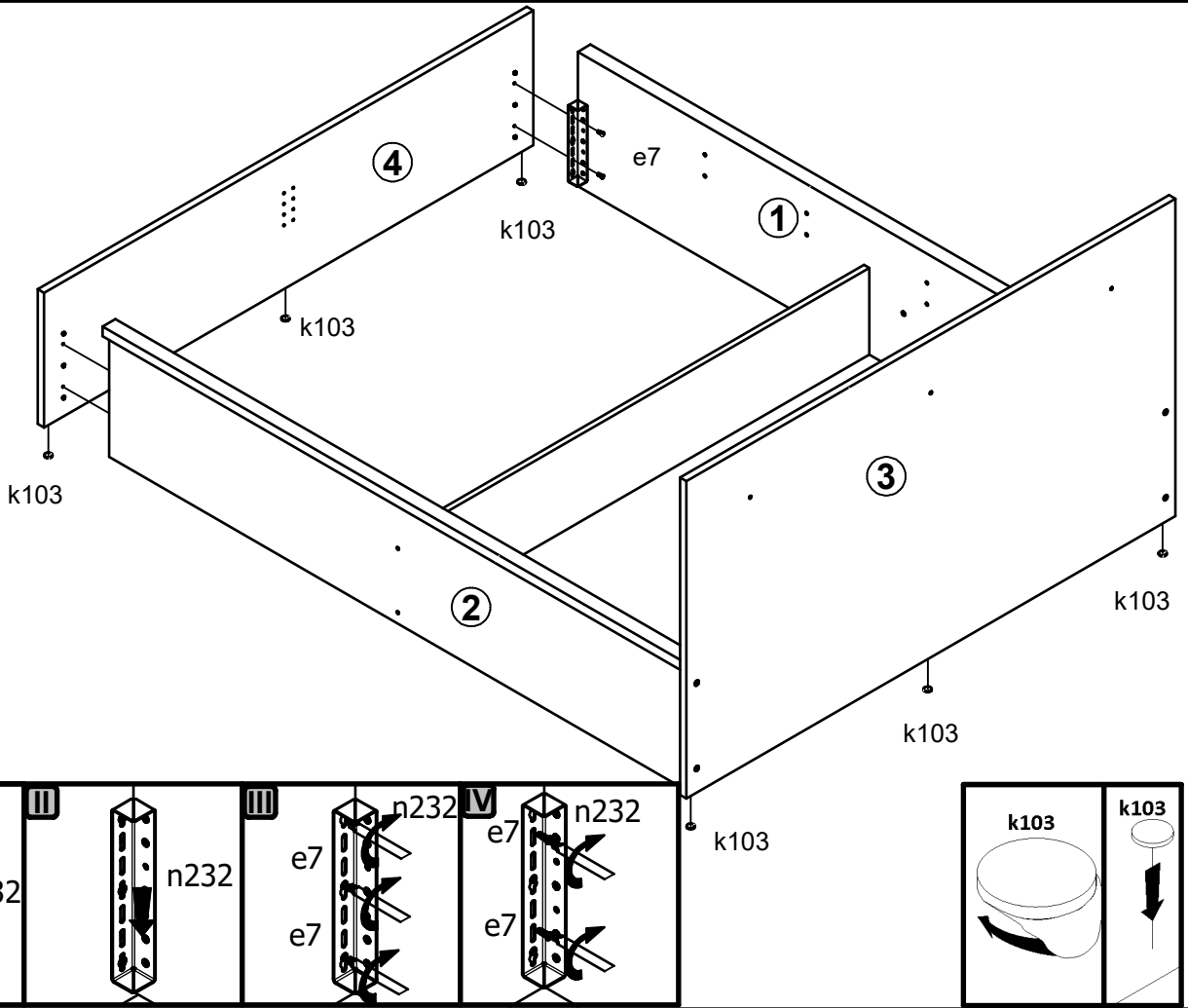
2



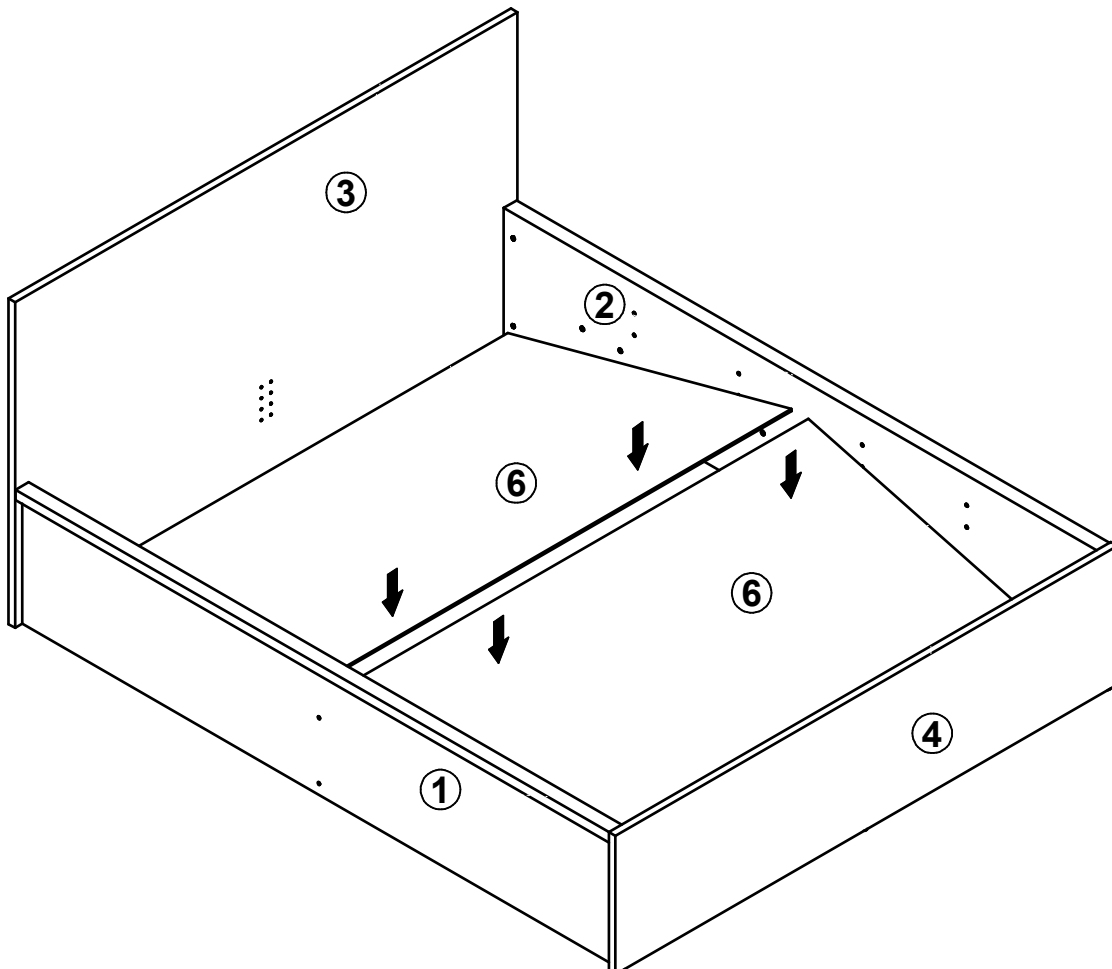
3



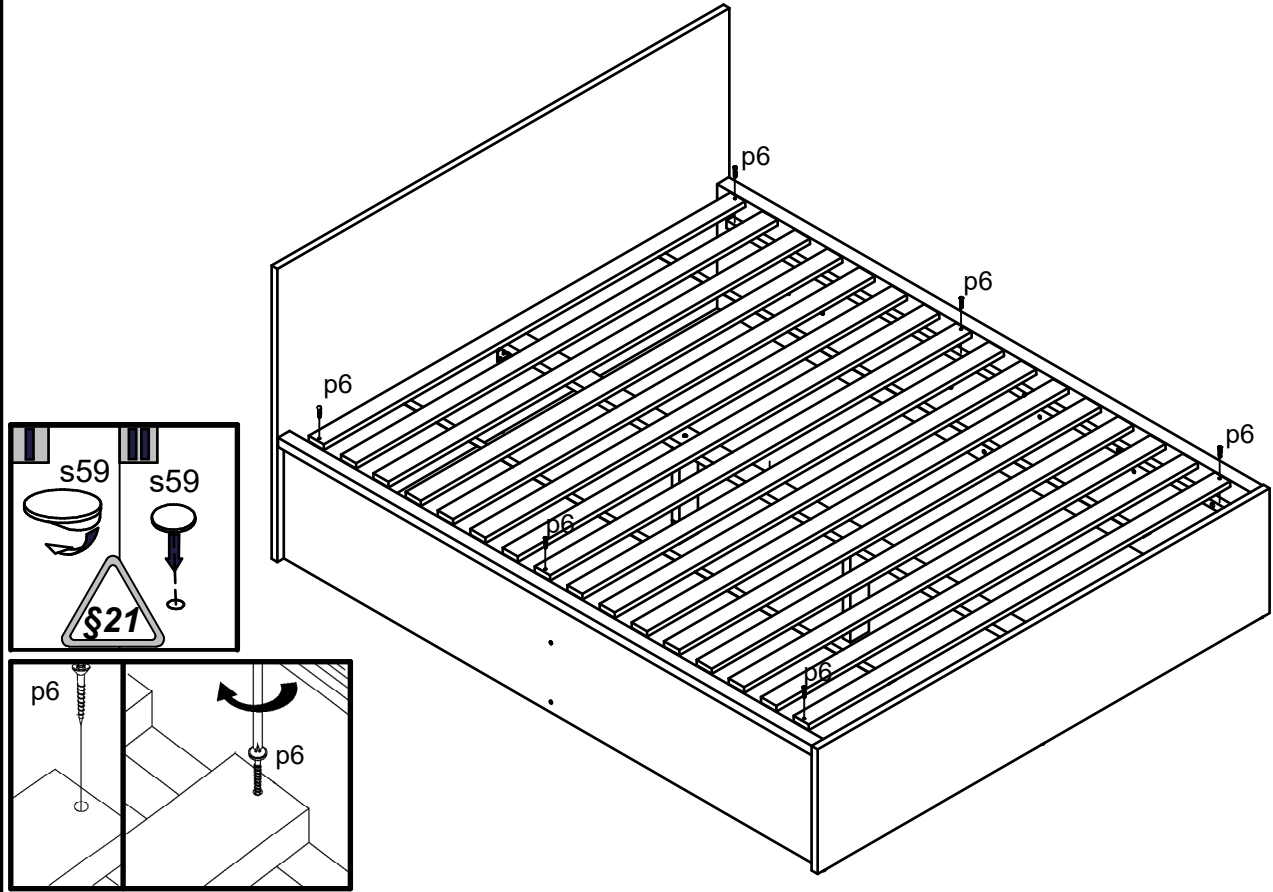
4



5



6 S442-LOZ/160/A



6 S442-LOZ/160/B

