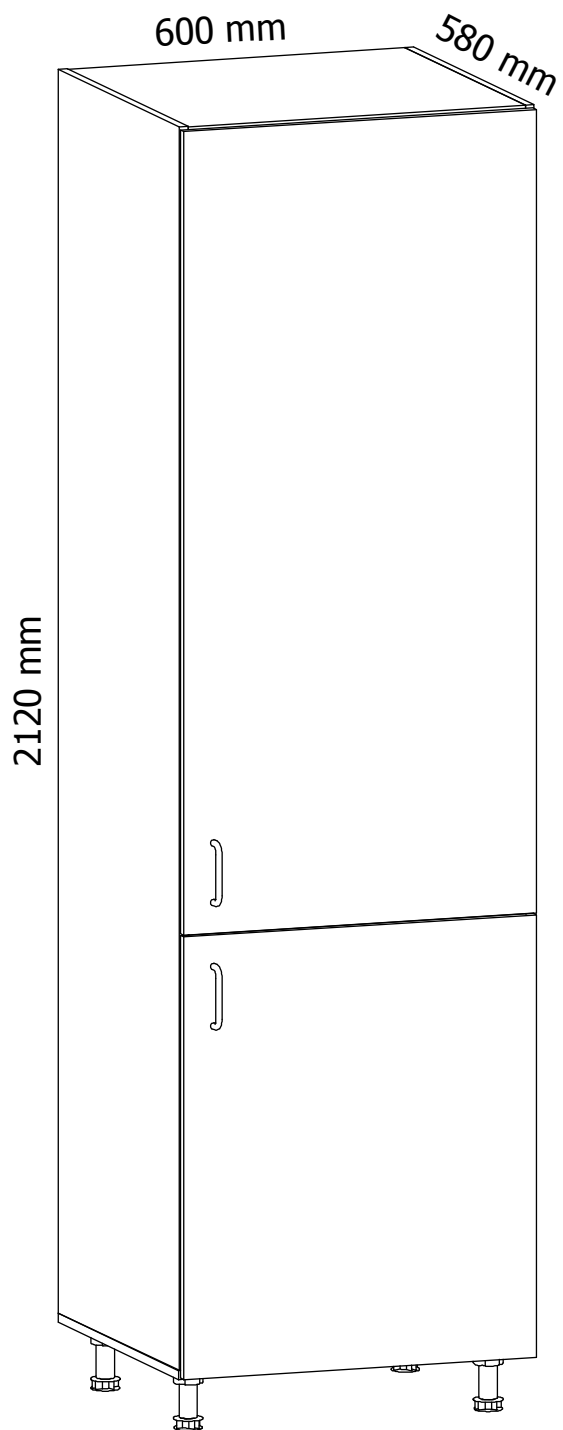
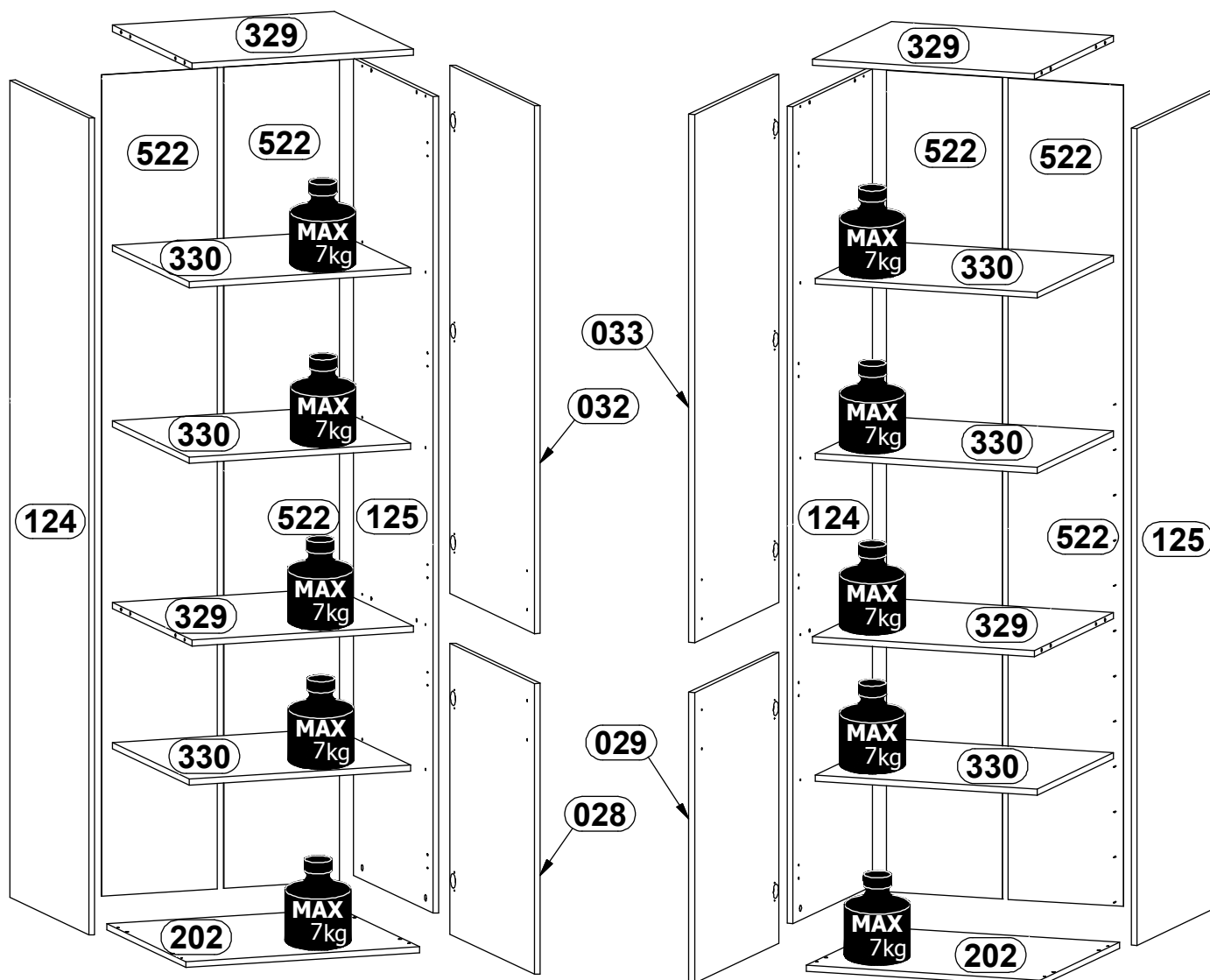
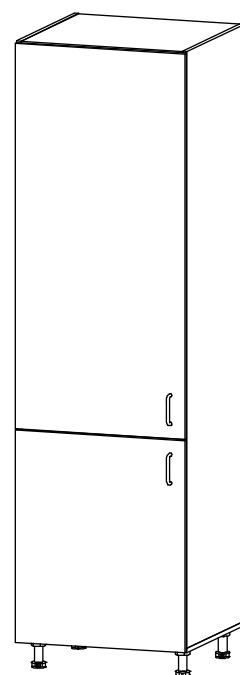
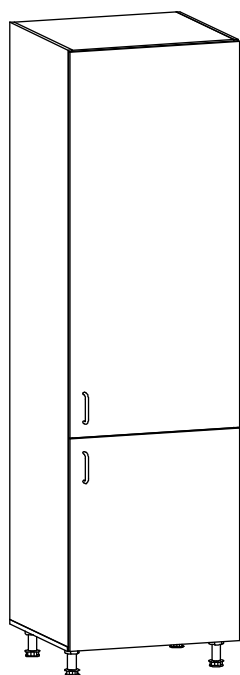
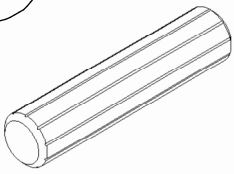
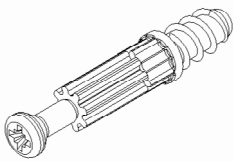
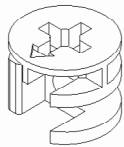
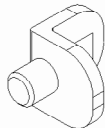
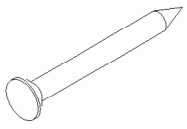
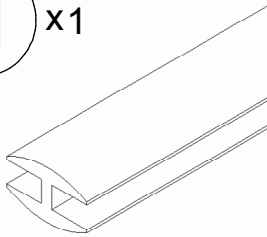
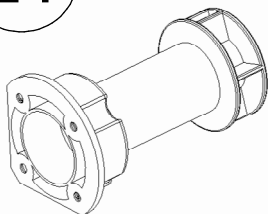
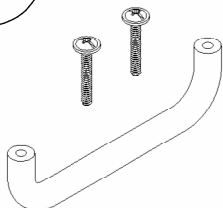
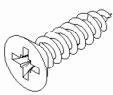

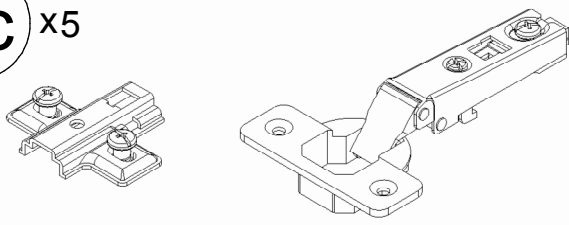


# PROVANCE D60R

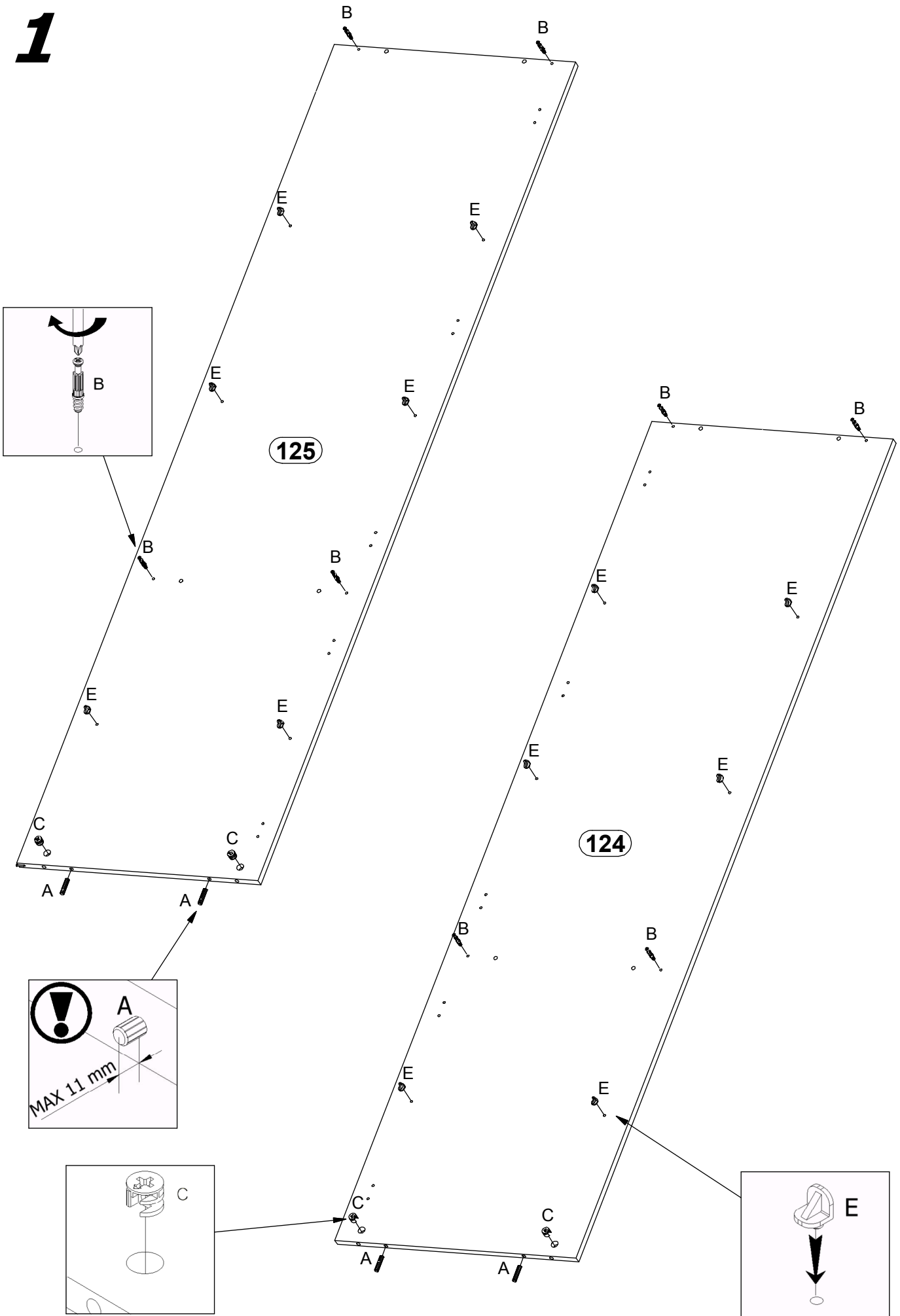


# PROVANCE D60R

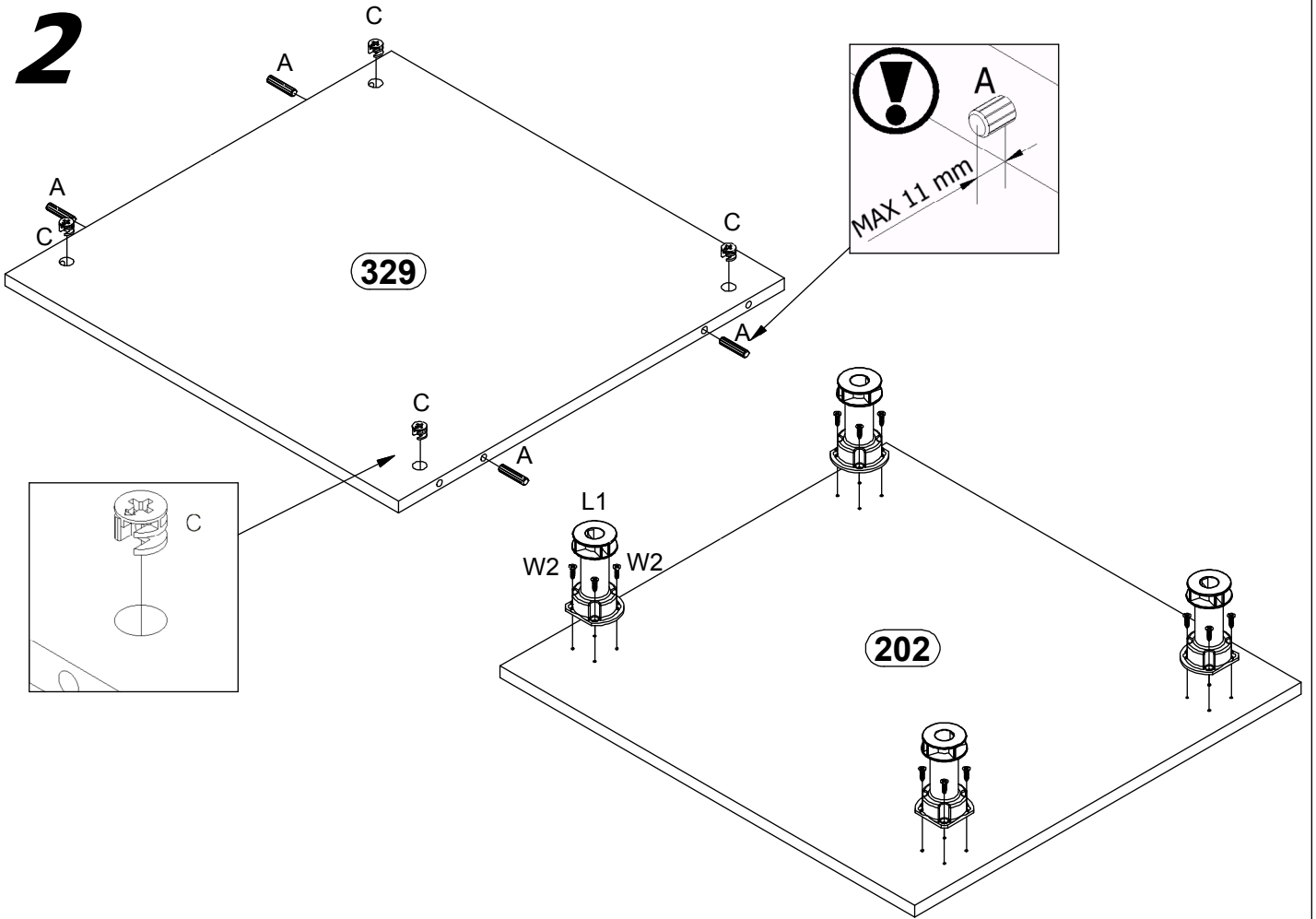


<p><b>A</b> x12</p>  <p>Ø8x35mm</p>	<p><b>B</b> x12</p> 	<p><b>C</b> x12</p>  <p>Ø15x12mm</p>	<p><b>E</b> x12</p> 
<p><b>G</b> x40</p> 	<p><b>H</b> x1</p>  <p>2015 mm</p>	<p><b>L1</b> x4</p> 	<p><b>M</b> x2</p> 
<p><b>W2</b> x26</p>  <p>Ø3,5x16mm</p>	<p><b>Y</b> x12</p>  <p>Ø18 mm</p>	<p><b>Zc</b> x5</p>  <p>Zc-1                      Zc-2</p>	

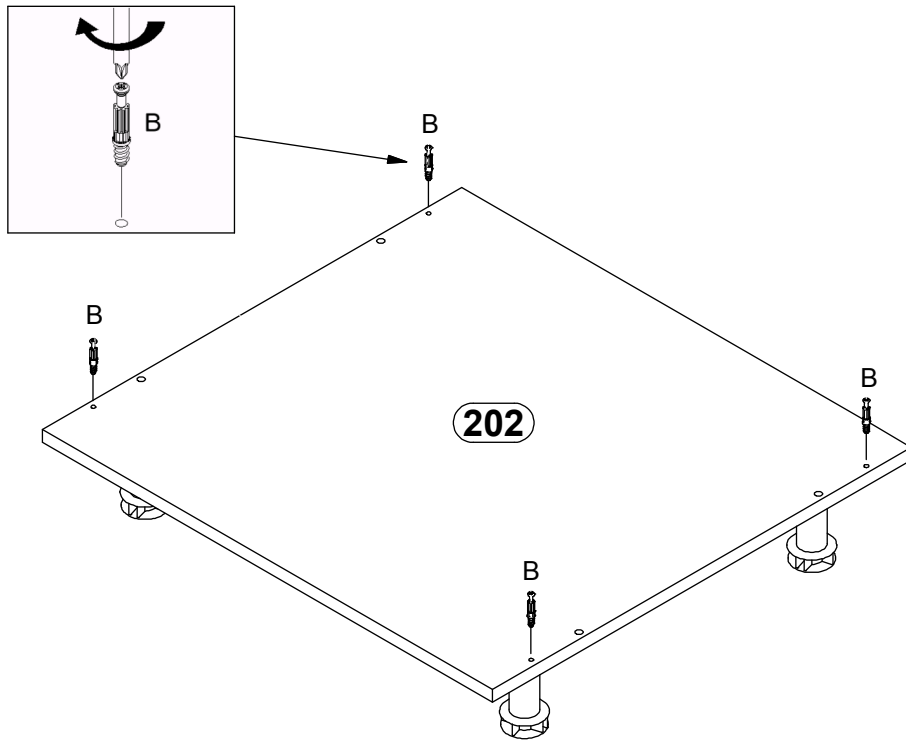
# 1



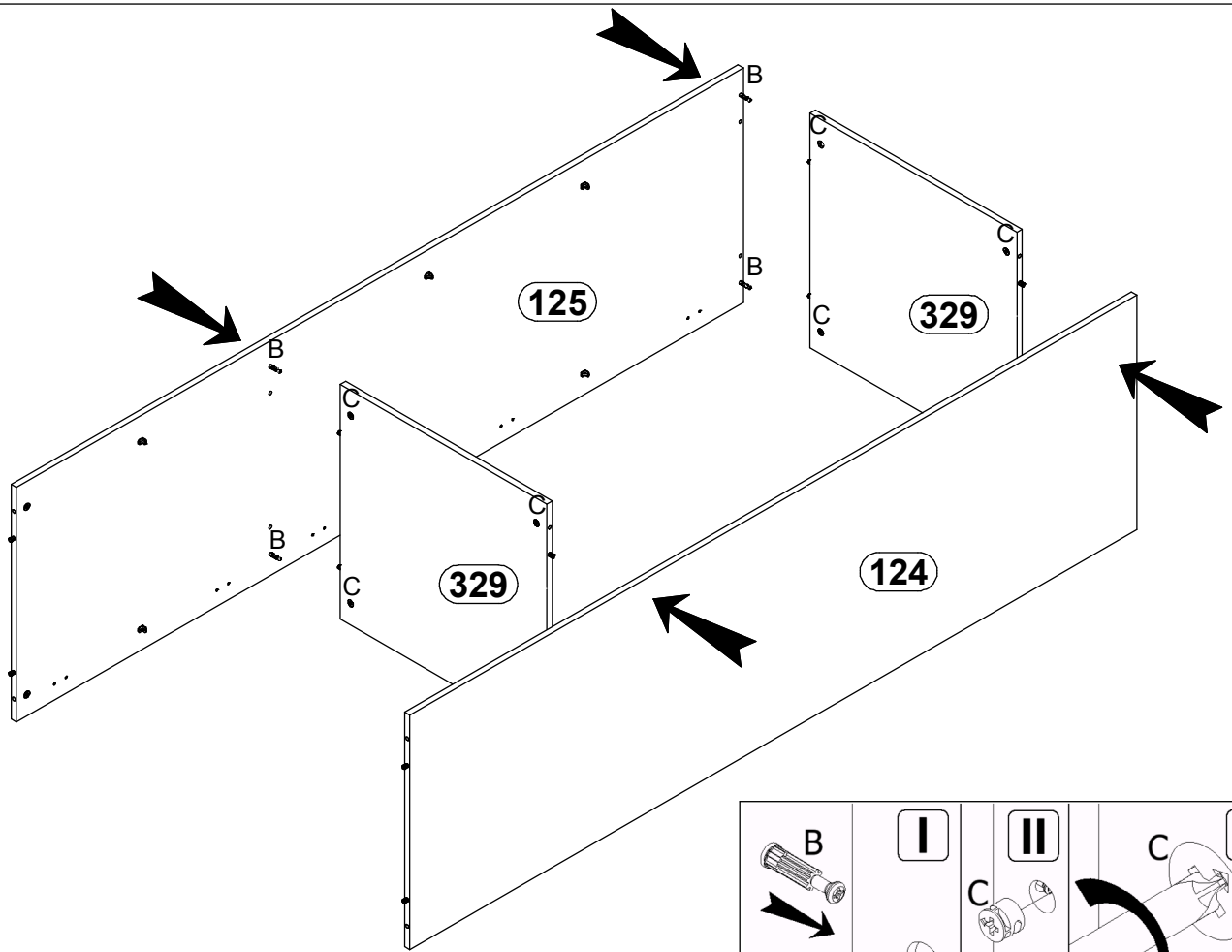
# 2



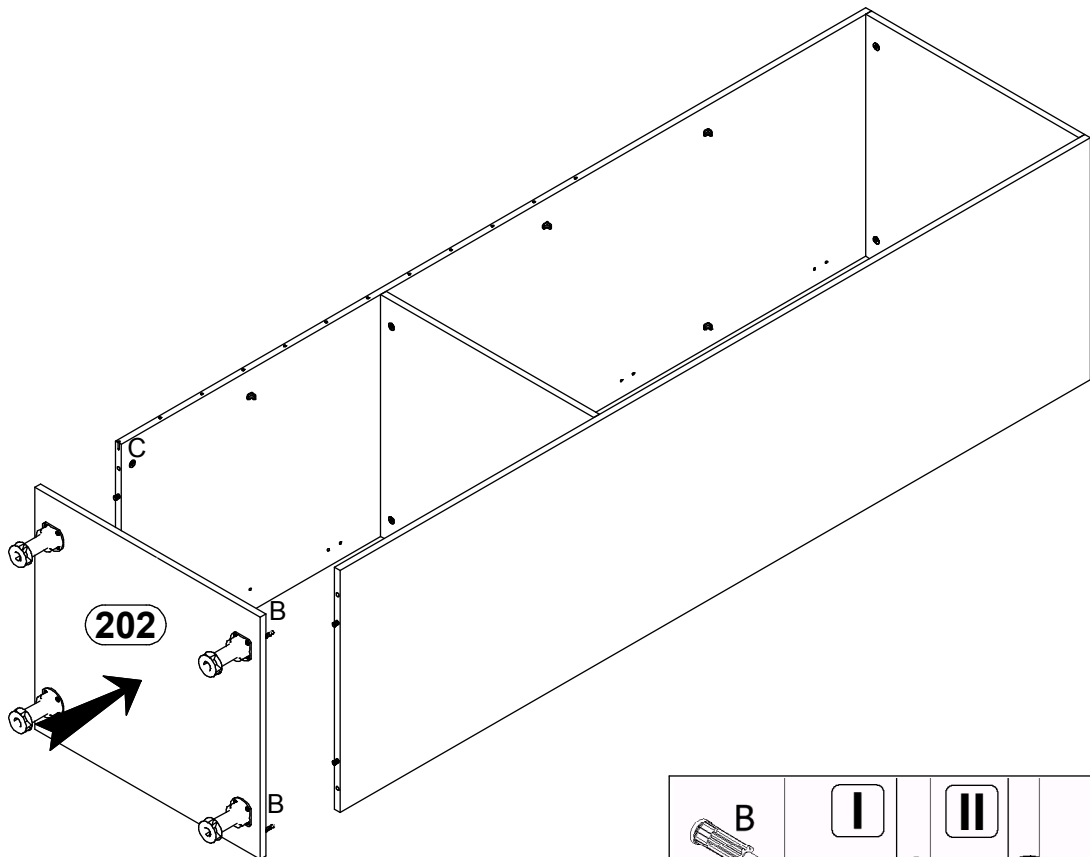
# 3



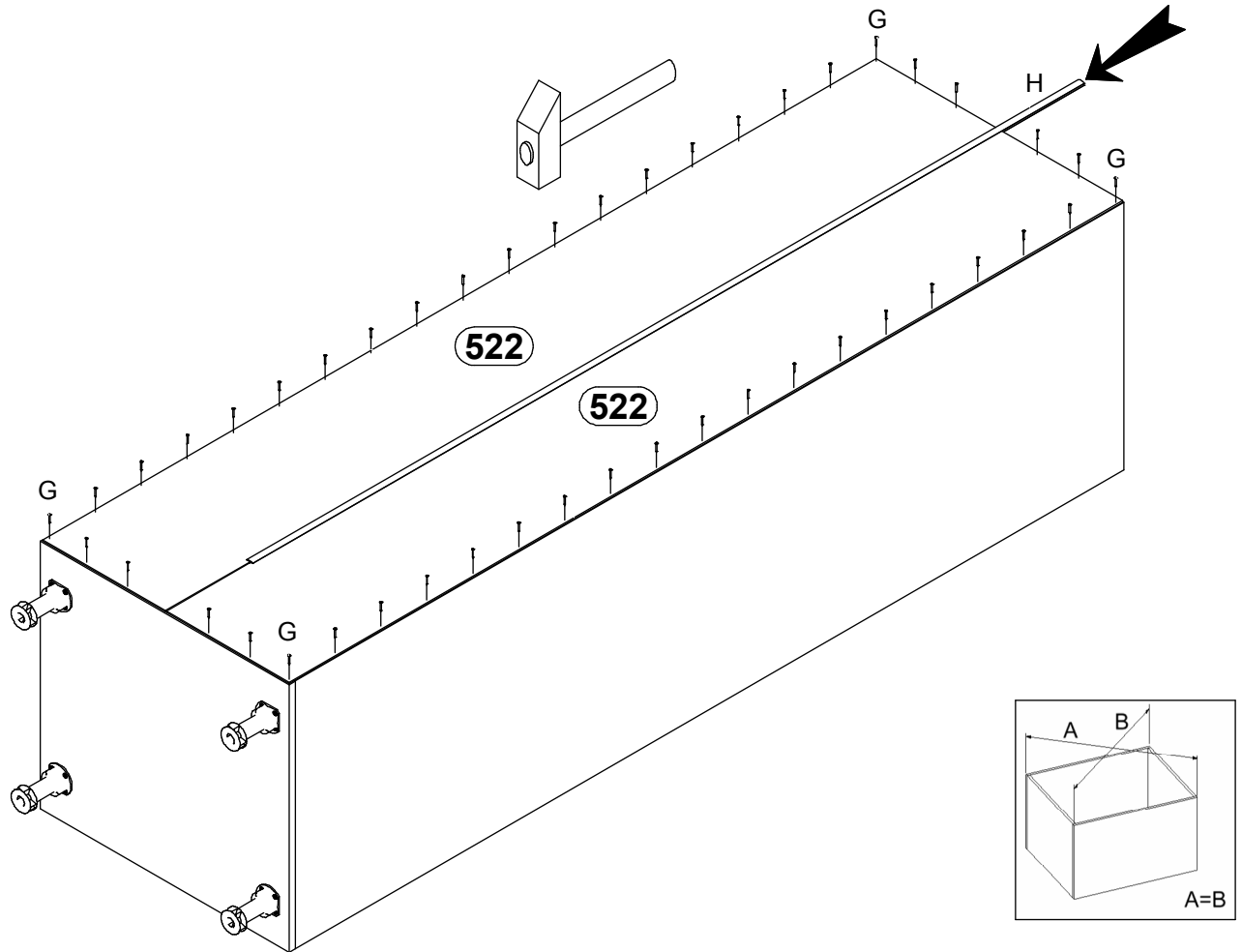
# 4



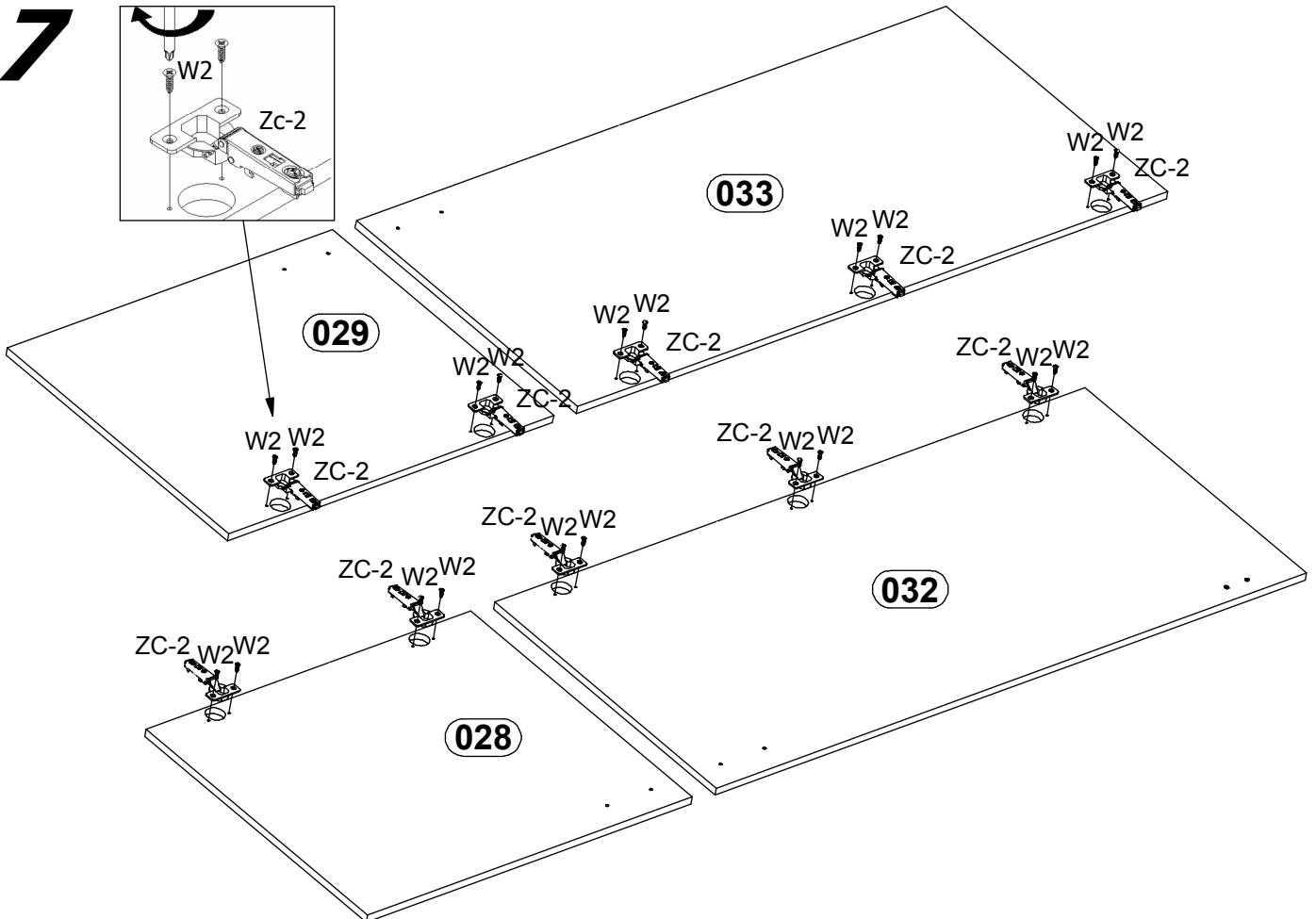
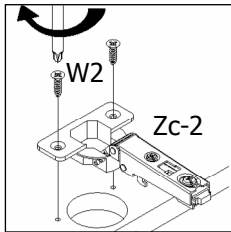
# 5



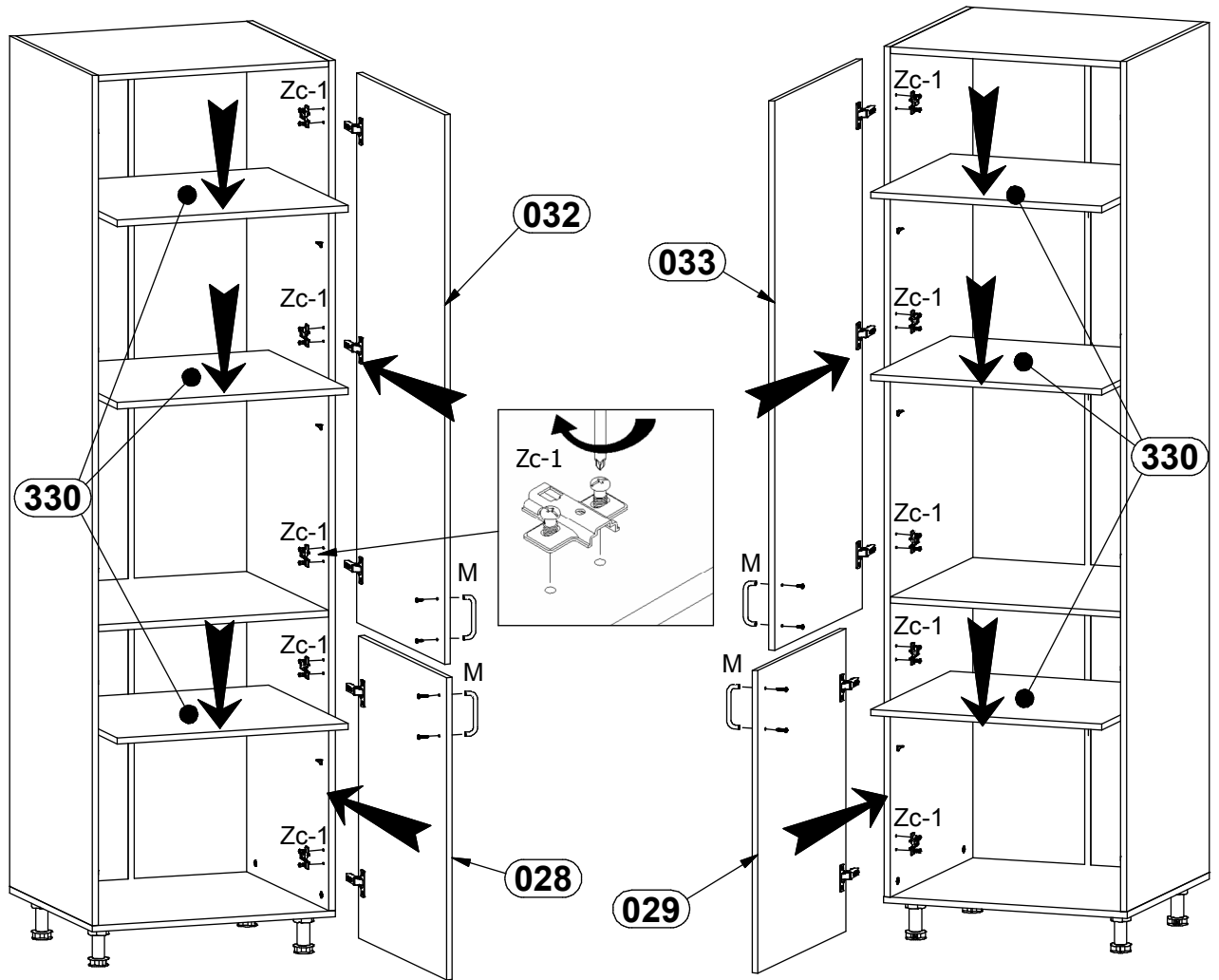
# 6



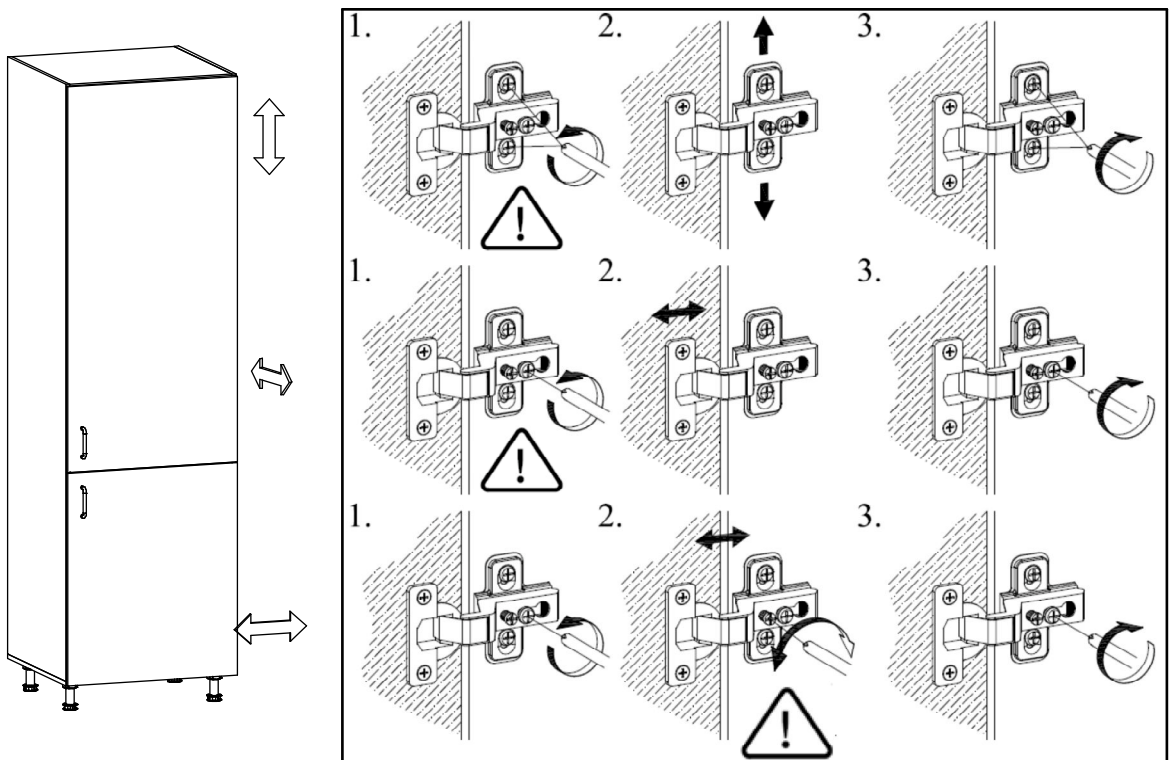
# 7



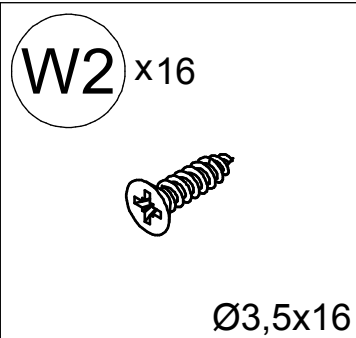
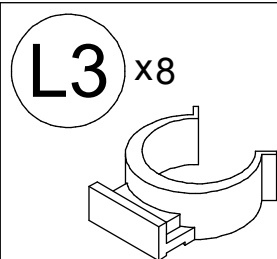
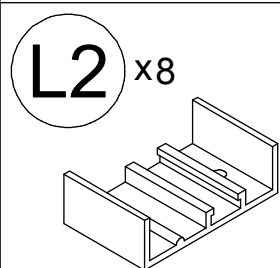
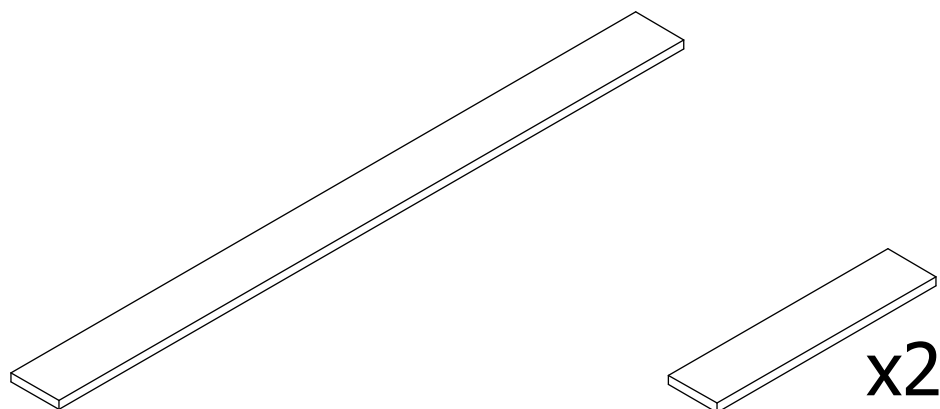
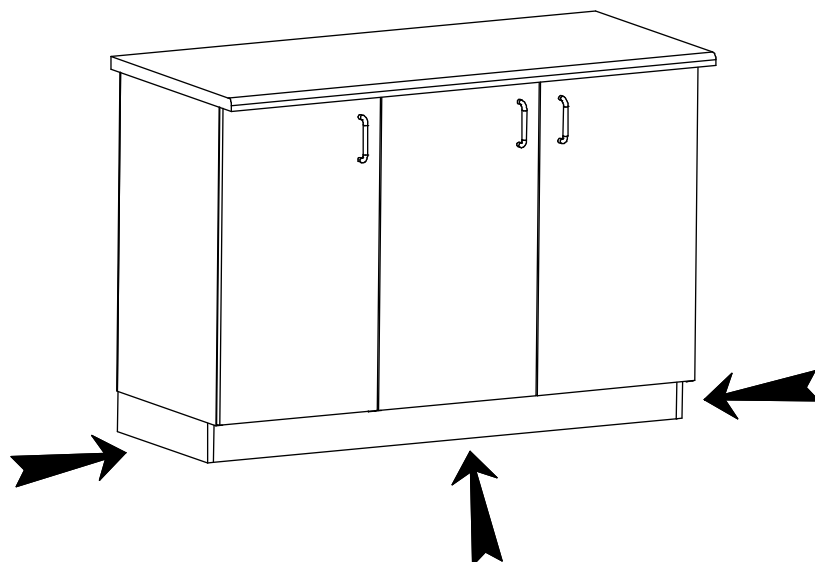
# 8



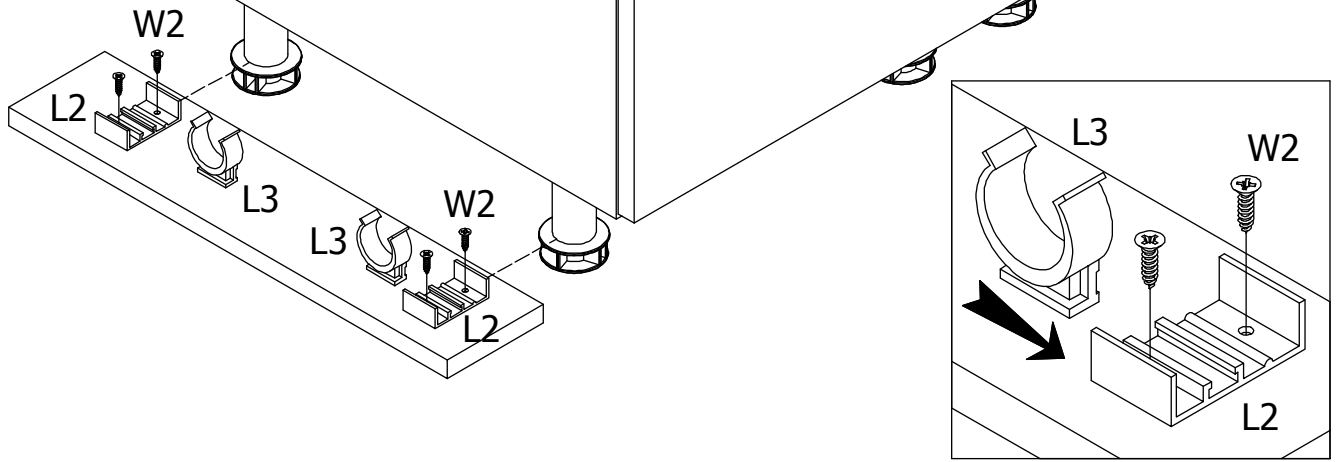
# 9







# 10



# 11

