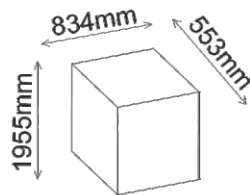
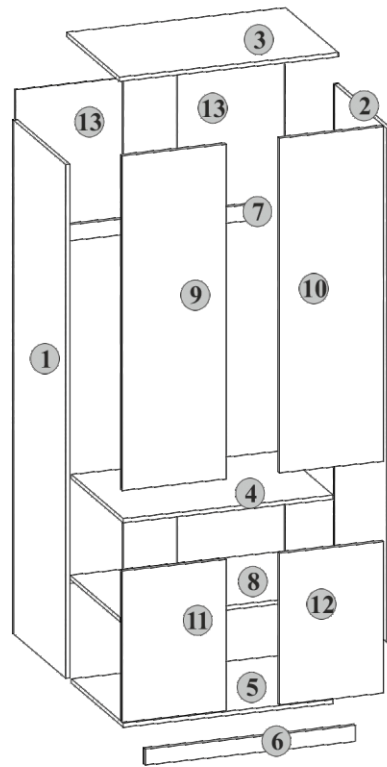







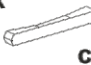




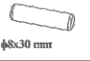
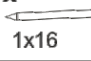

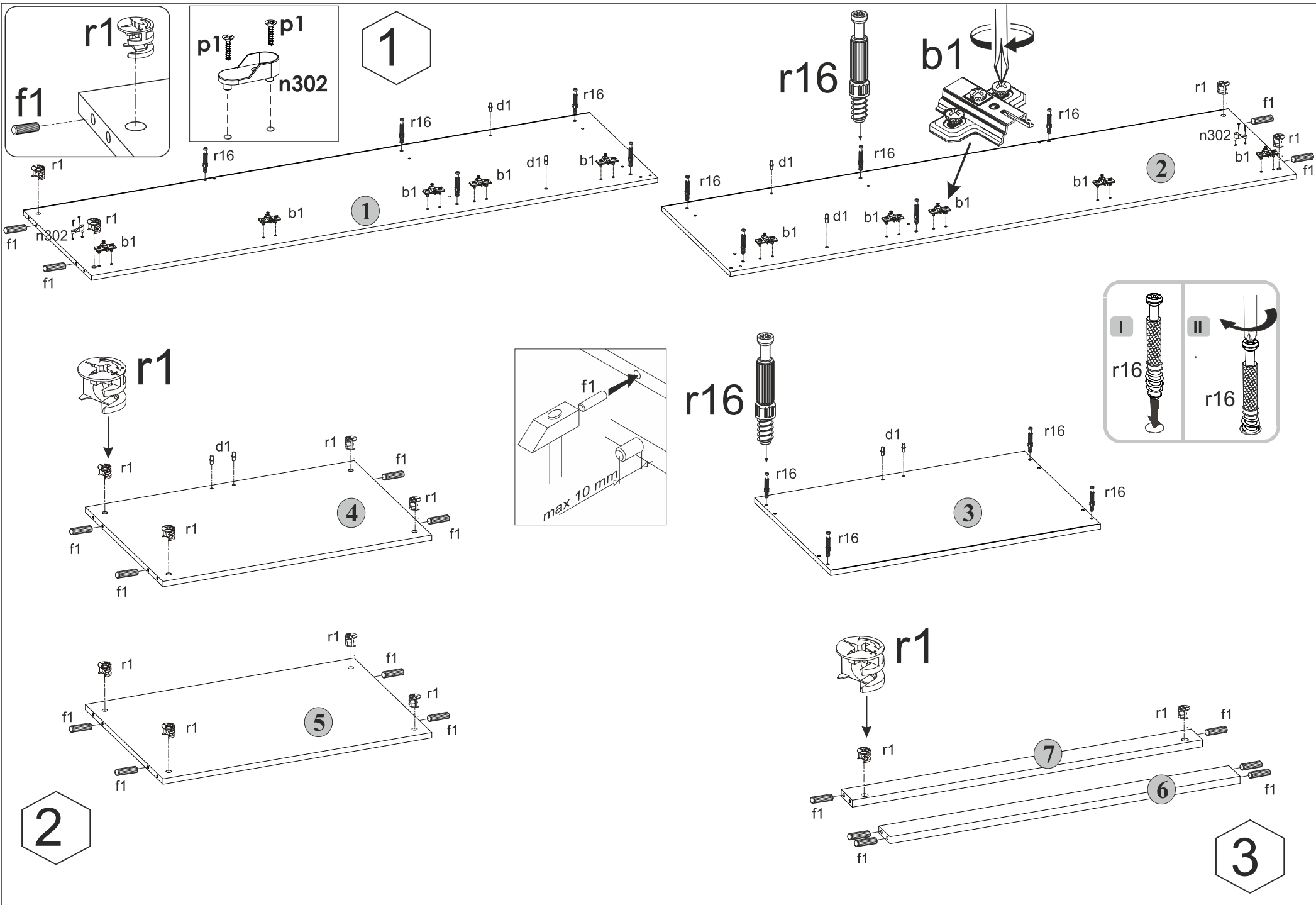


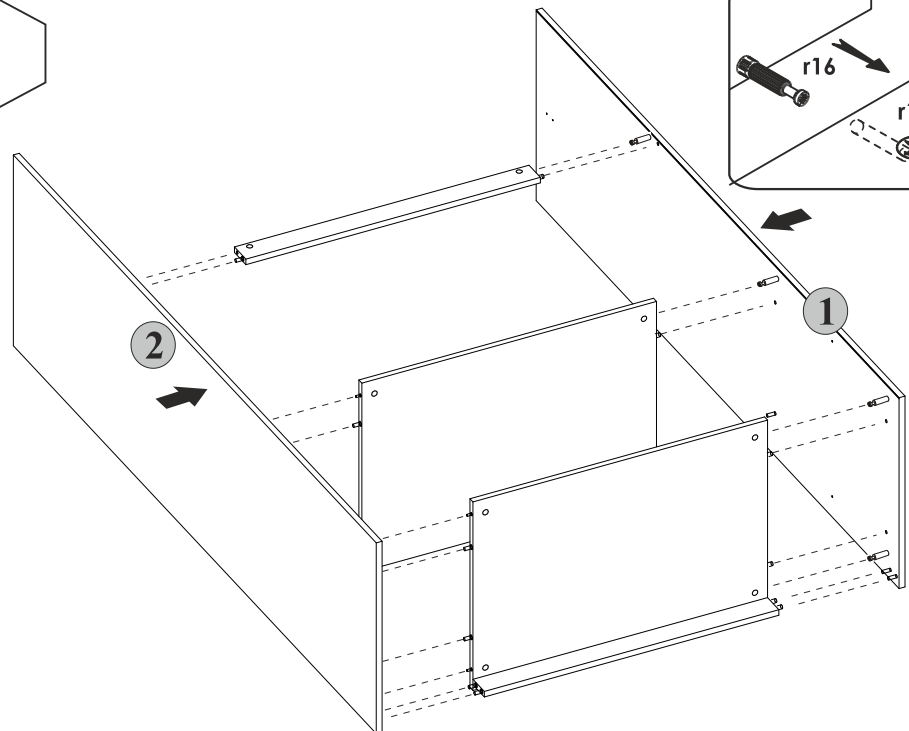
TEYO



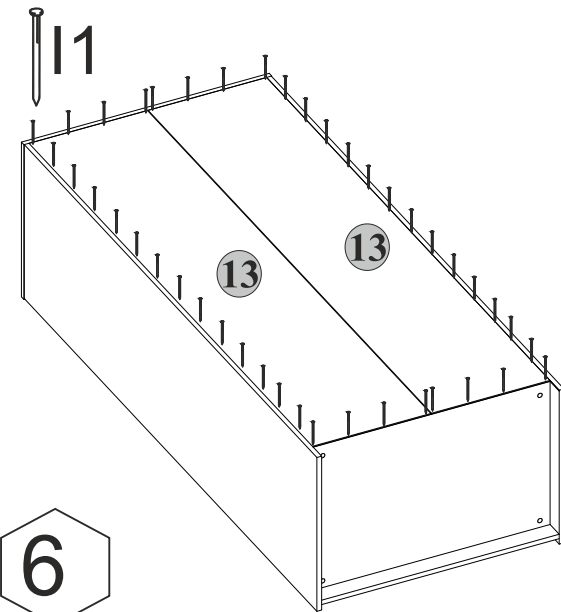
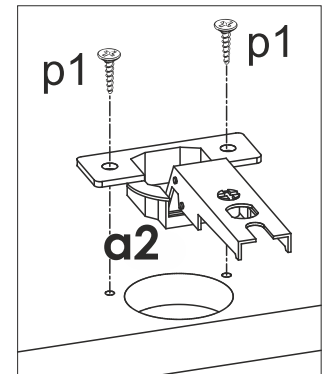
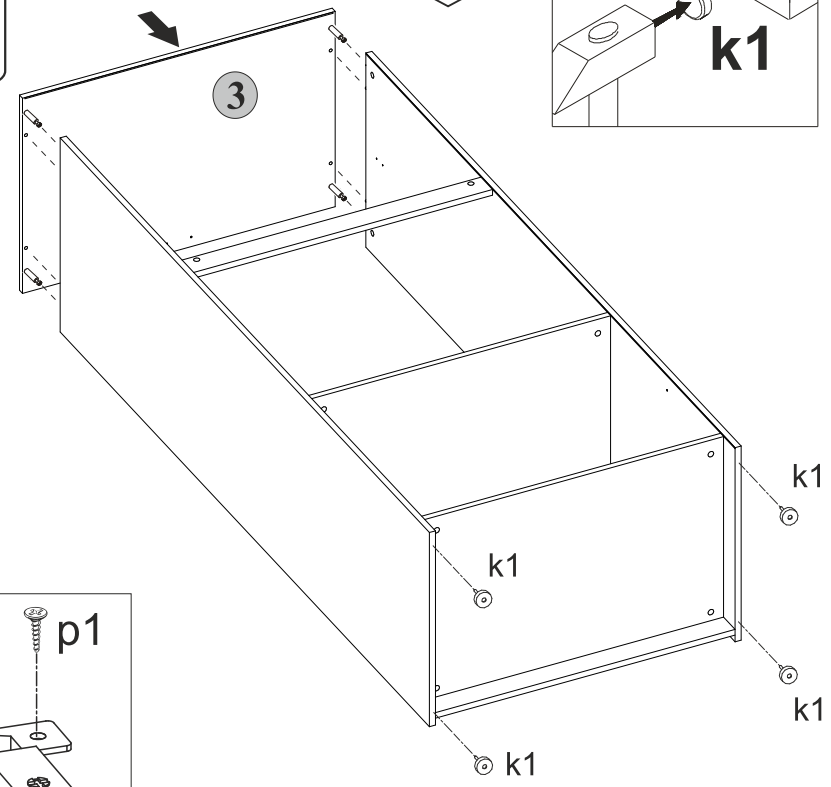
4x  k1	20x  φ6.3x13 mm e2	2x  n302			
8x  φ5x17 mm d1	14x  r16	10x  a2	8x  φ4x27 mm p78	4x  c114	14x  φ15 #16 r1
20x  φ3.5x13 mm p1	14x  s2	10x  b1	18x  φ8x30 mm f1	50x  1x16 l1	1x  y1



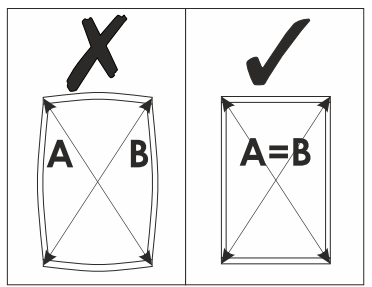
4



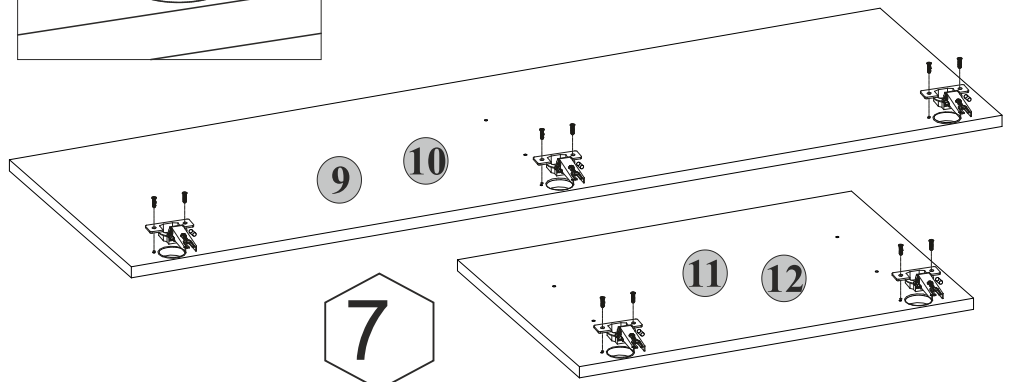
5



6



7



8

