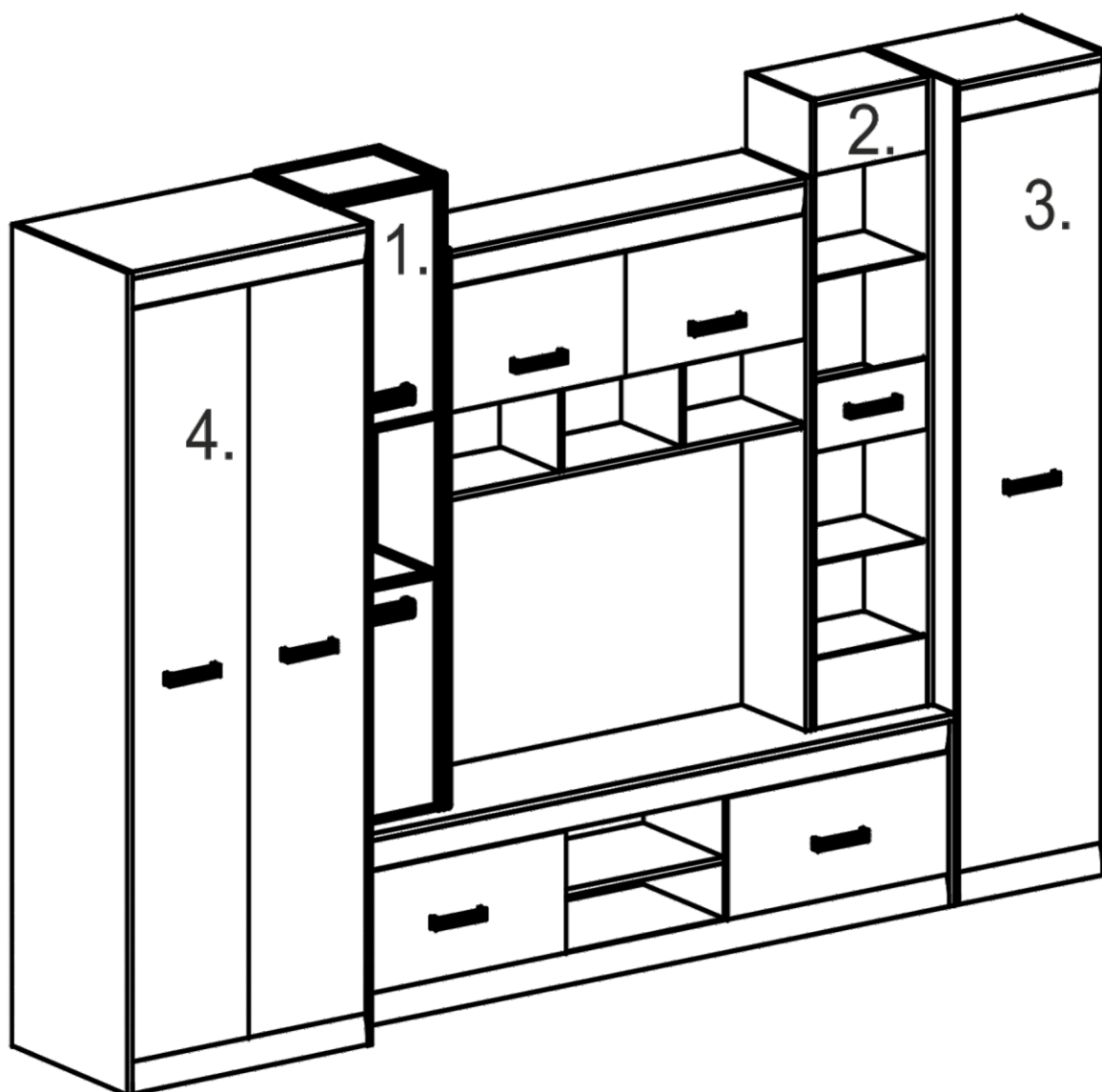
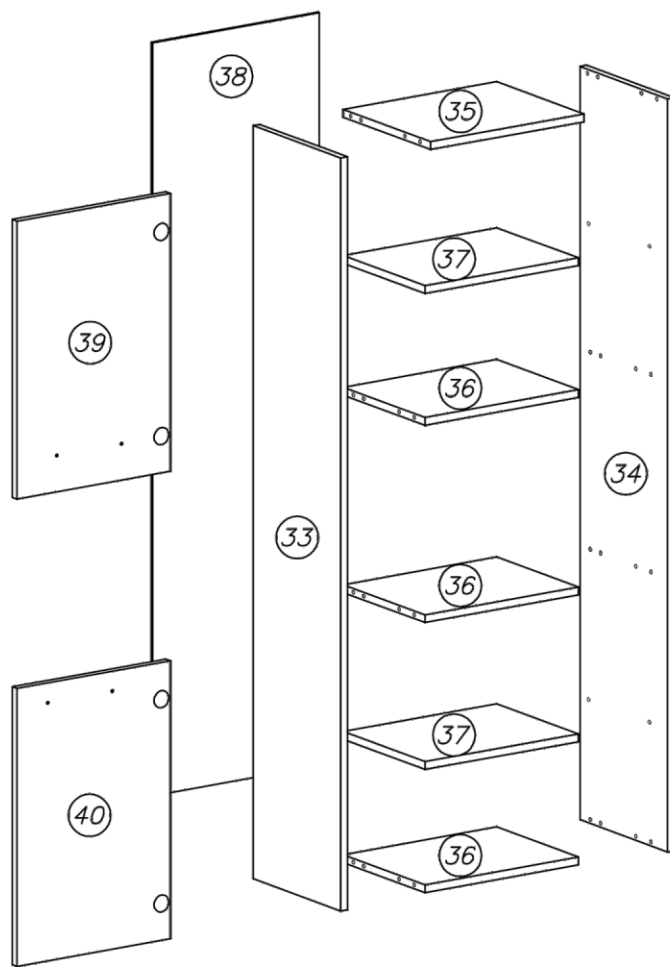
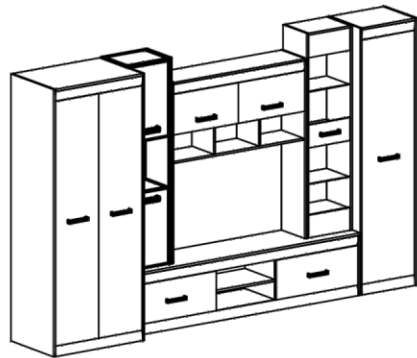
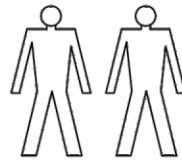
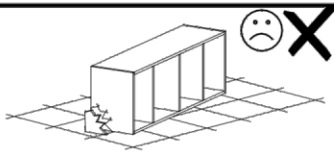
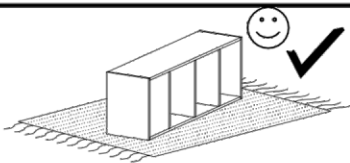
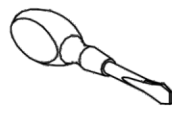
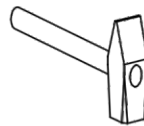
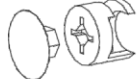



KORINA

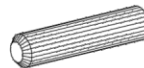


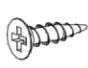
I.




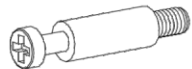
K1  $\varnothing 15 \times 12$ x16

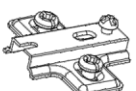
G8  4x30 x4

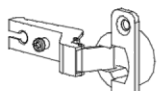
B1  $\varnothing 8 \times 35$ x18

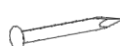
G34  3,5x16 x8


F2  x8

K5  x16

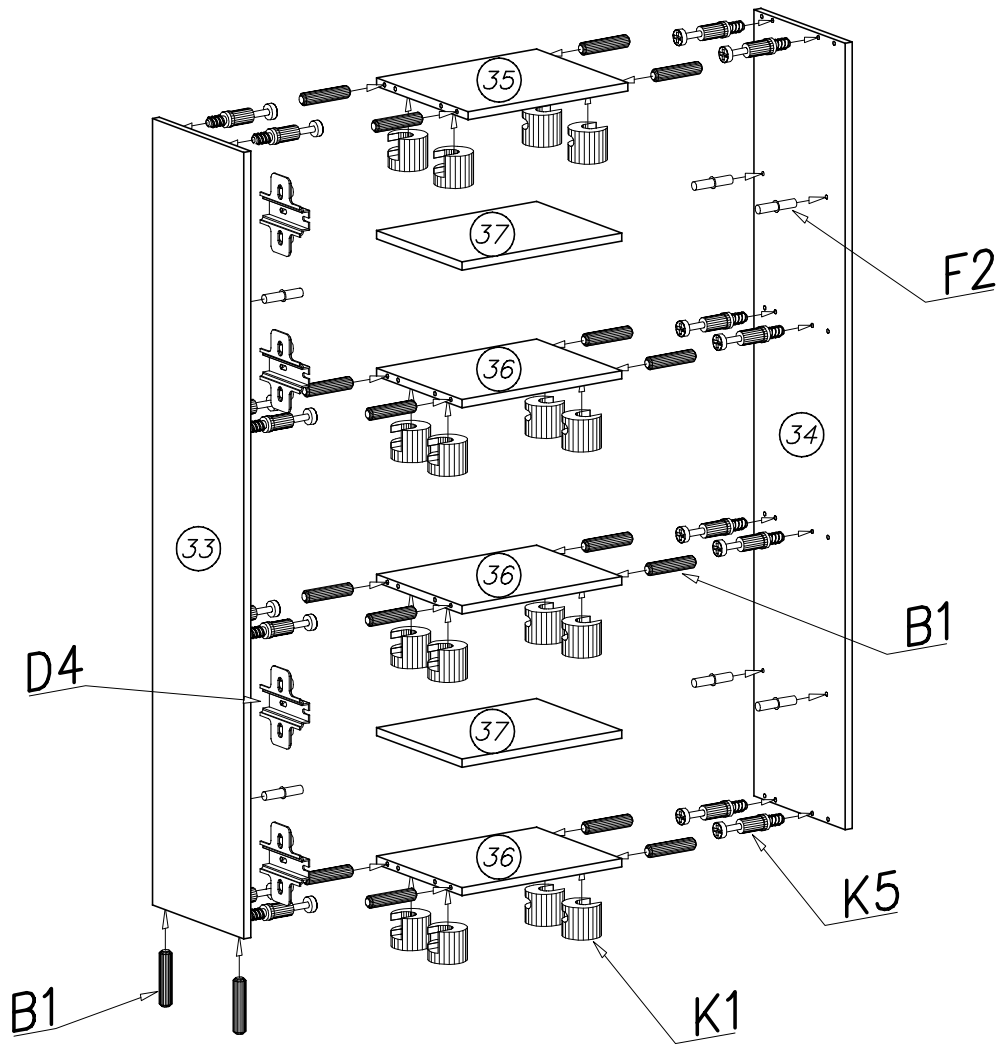
D4  PZ350D x4

C4  Z350D x4

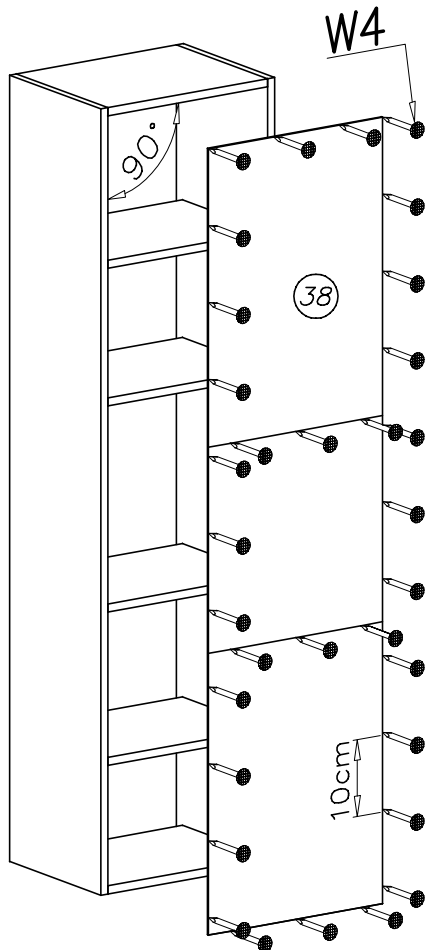
W4  1,6x20 x40

E5  x2

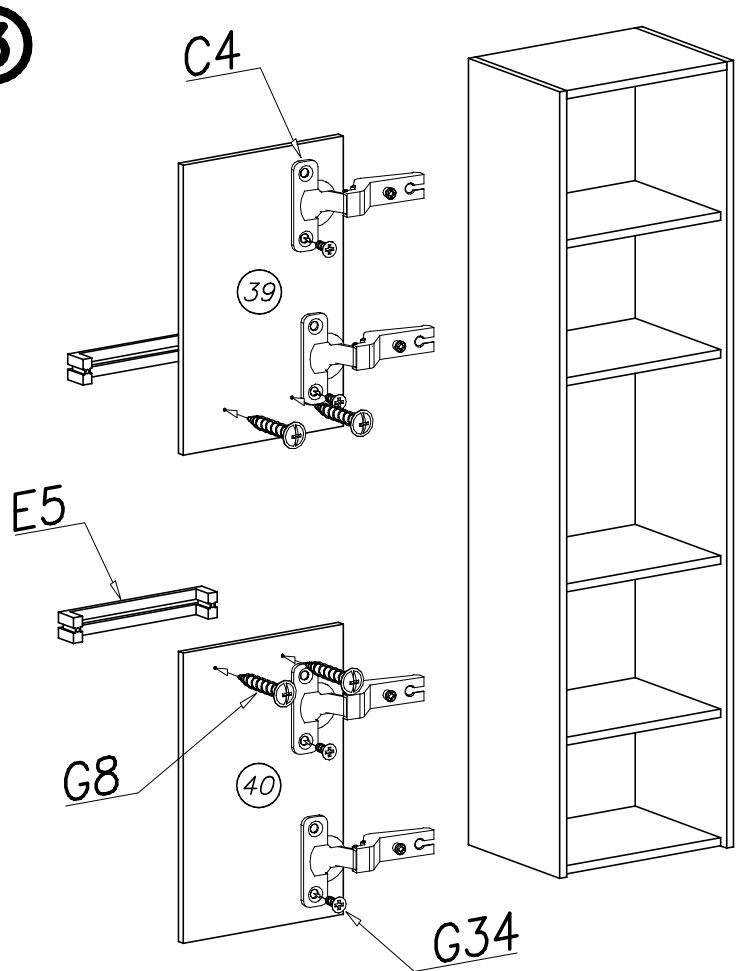
①



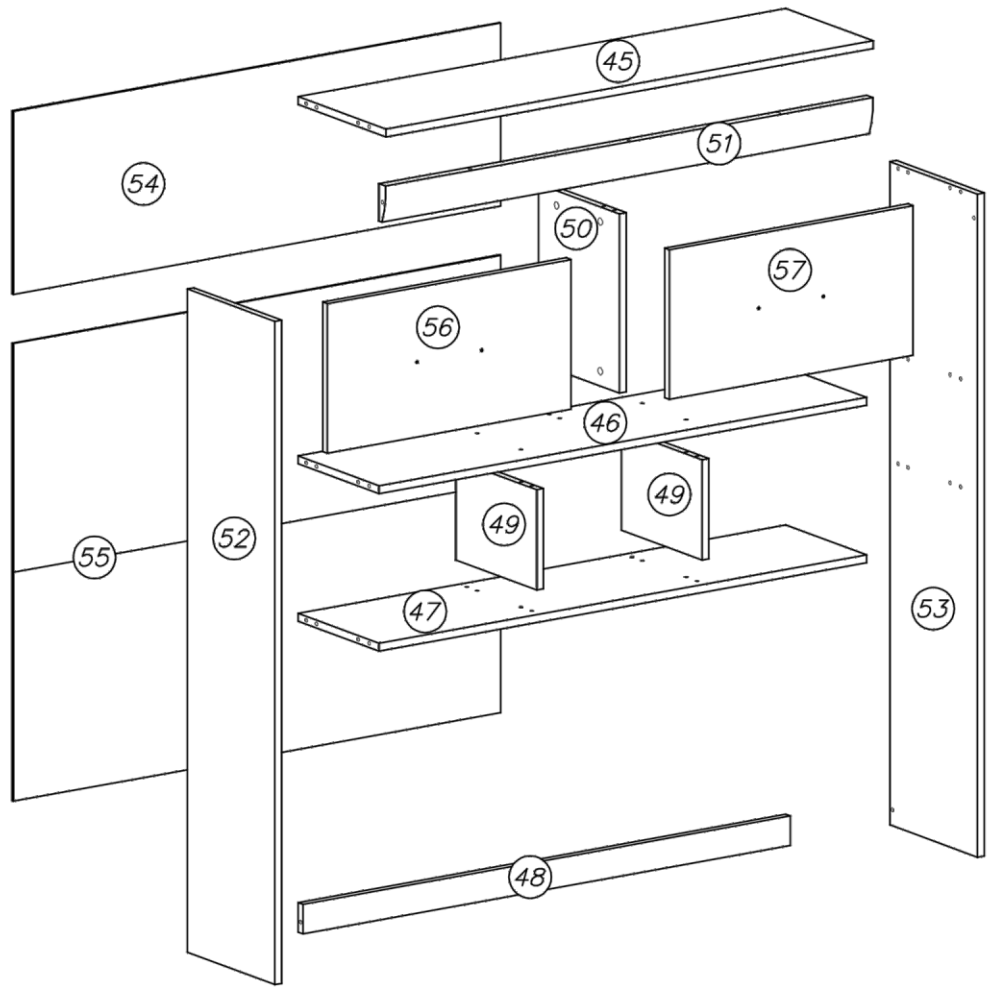
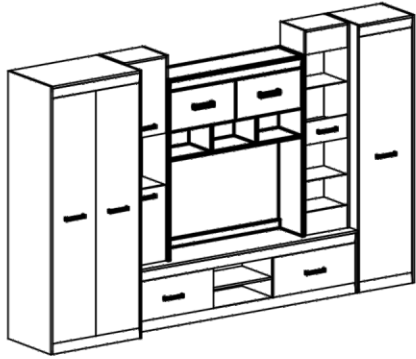
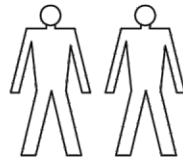
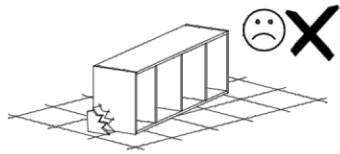
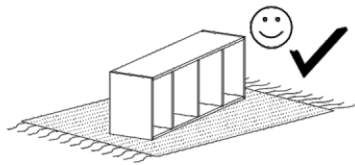
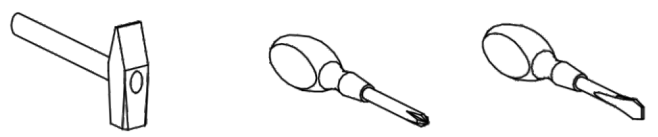
②


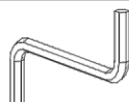

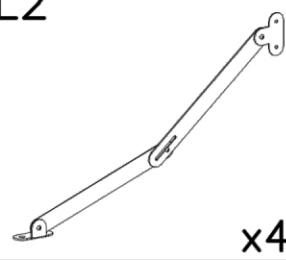

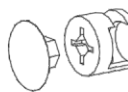

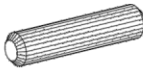

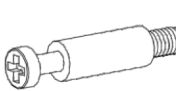
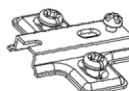
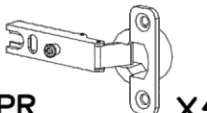
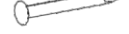



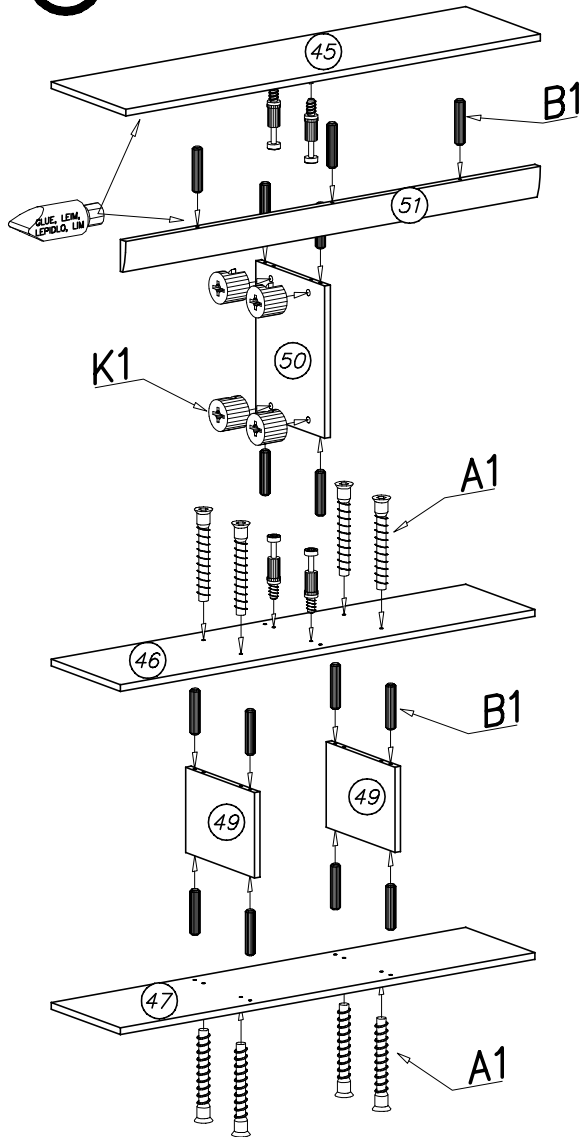
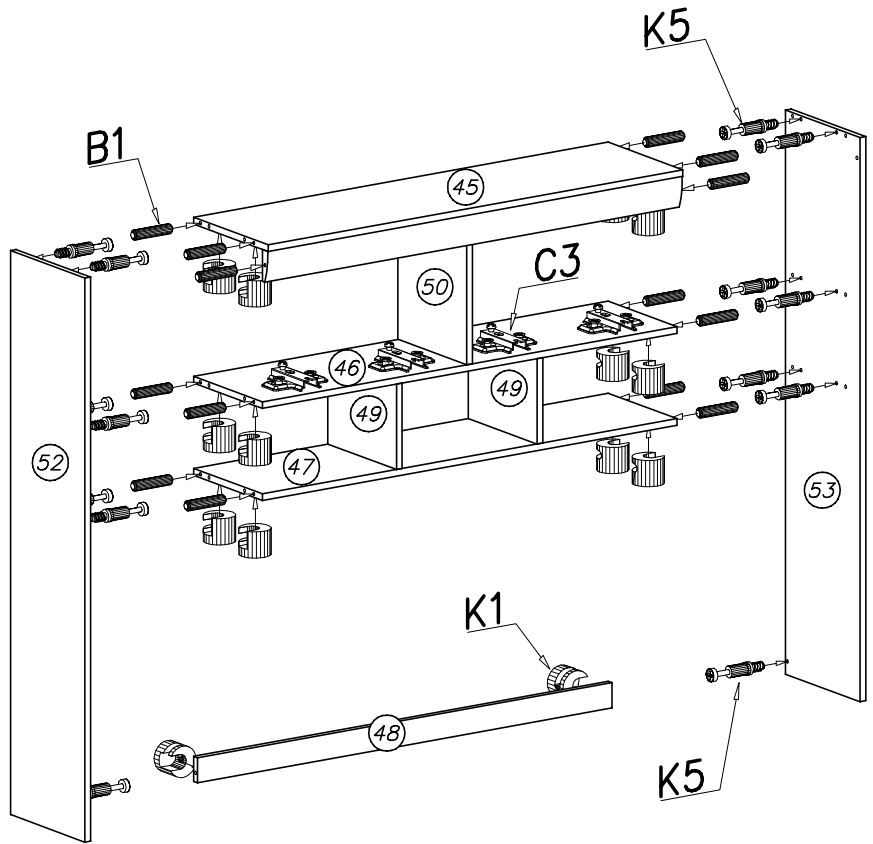
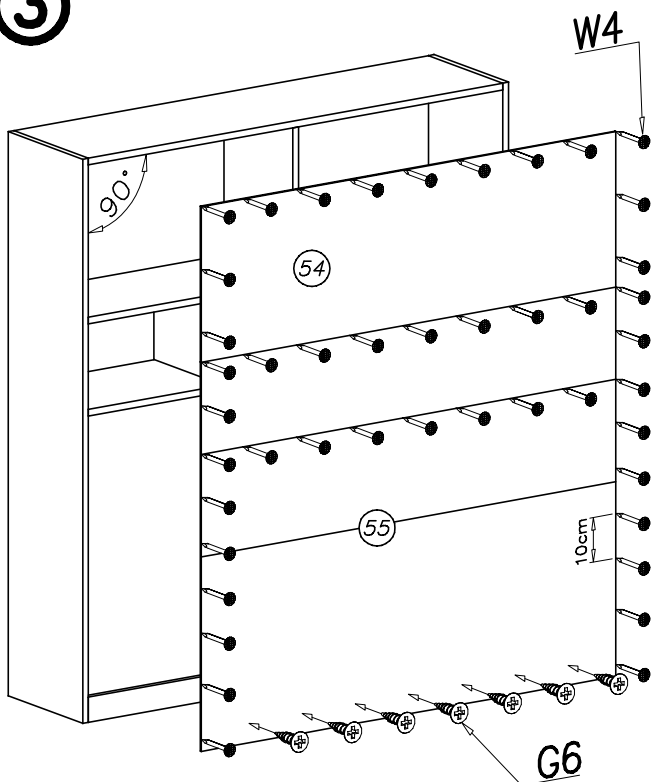
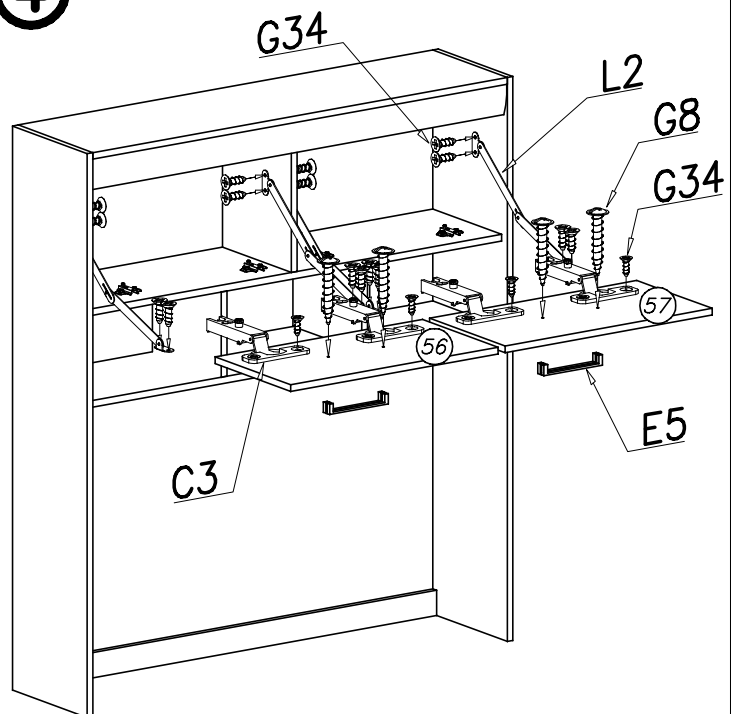
③



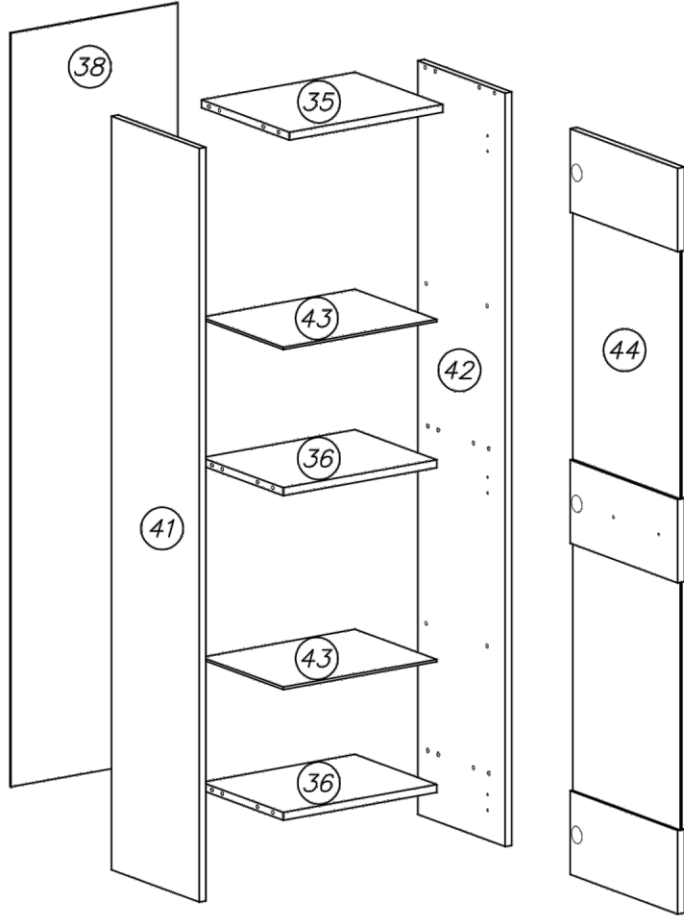
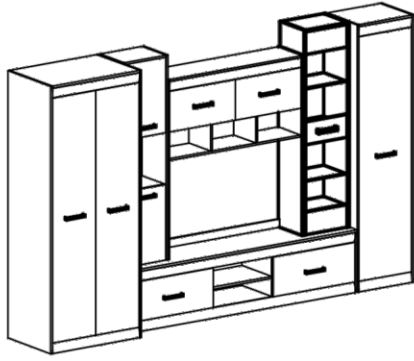
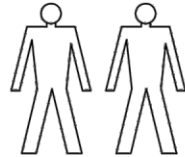
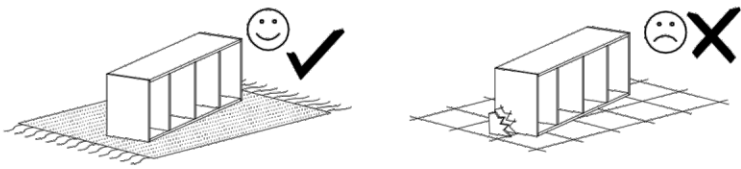
II.

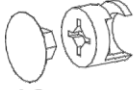




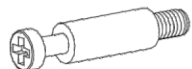
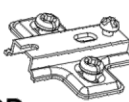
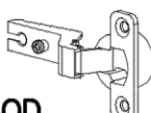




A1  $\varnothing 7 \times 50$ x8	W2  4mm x1	G34  3,5x16 x24	L2  x4	G6  3x13 x10
K1  $\varnothing 15 \times 12$ x18	G8  4x30 x4	B1  $\varnothing 8 \times 35$ x29	W1  x1	
K5  x18	D3  PZ35PR x4	C3  Z35PR x4	W4  1,6x20 x60	E5  x2

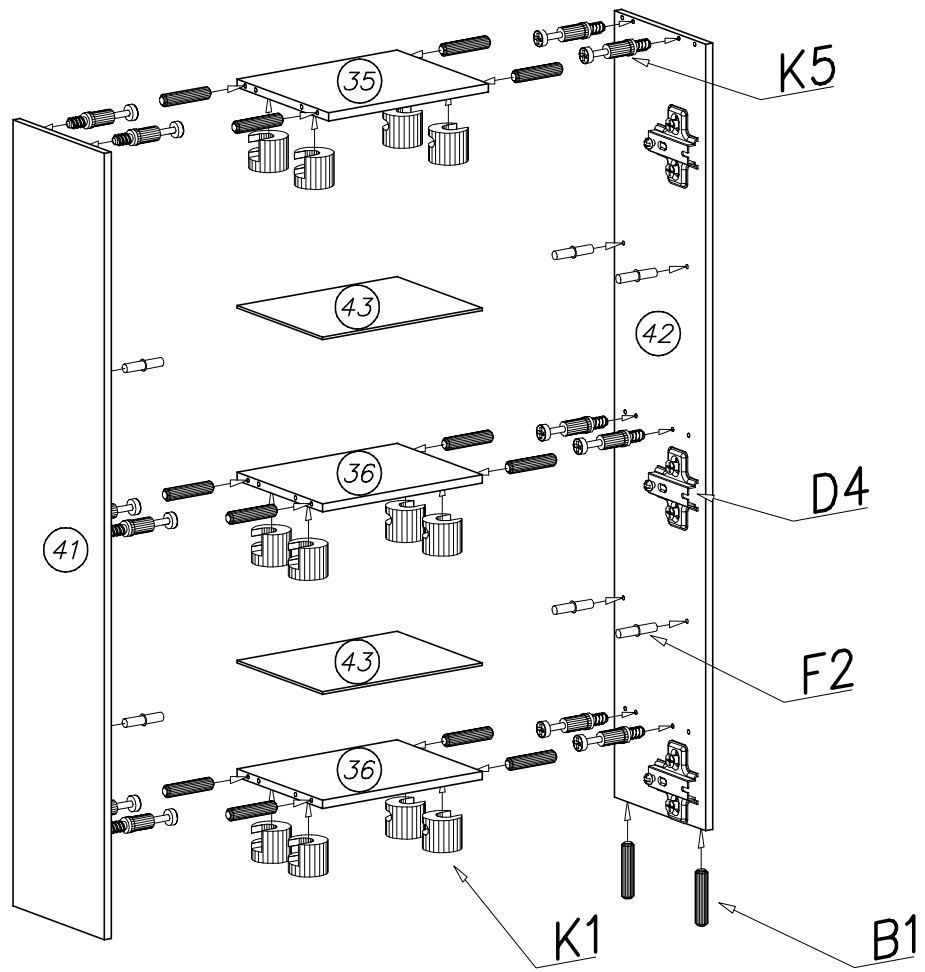
1**2****3****4**

III.

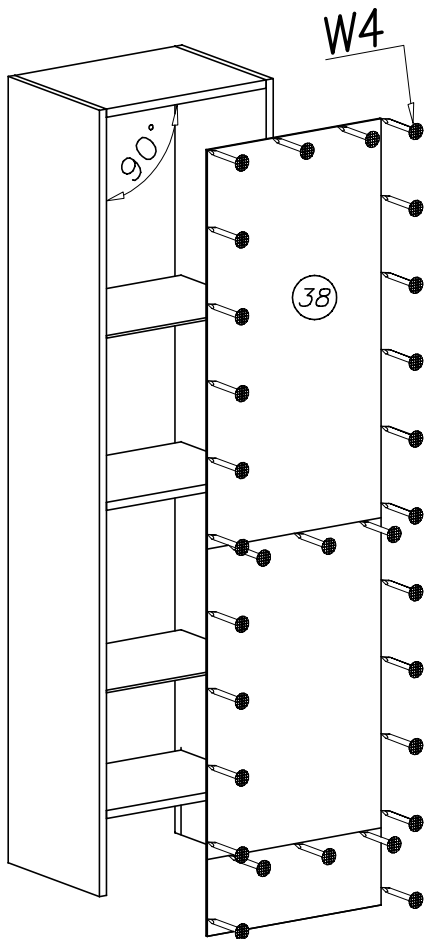


K1  $\varnothing 15 \times 12$ x12	G8  4x30 x2	B1  $\varnothing 8 \times 35$ x14	G34  3,5x16 x6	F2  x8
K5  x12	D4  PZ350D x3	C4  Z350D x3	W4  1,6x20 x40	E5  x1

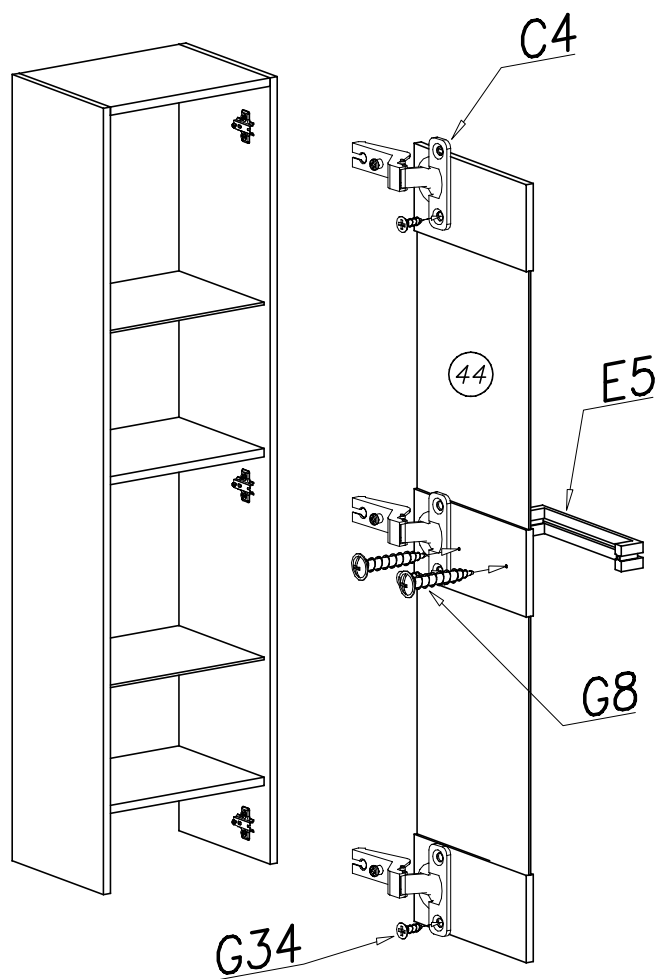
1



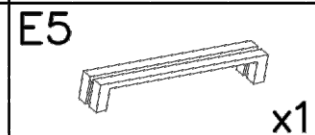
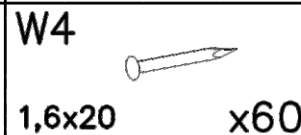
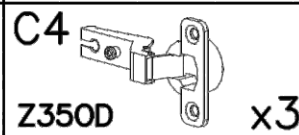
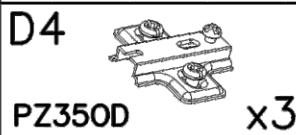
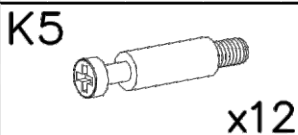
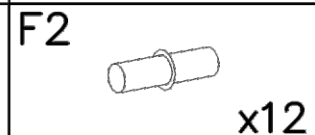
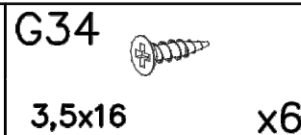
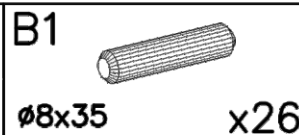
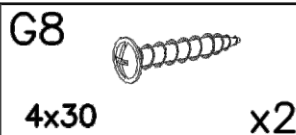
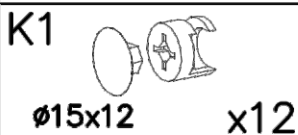
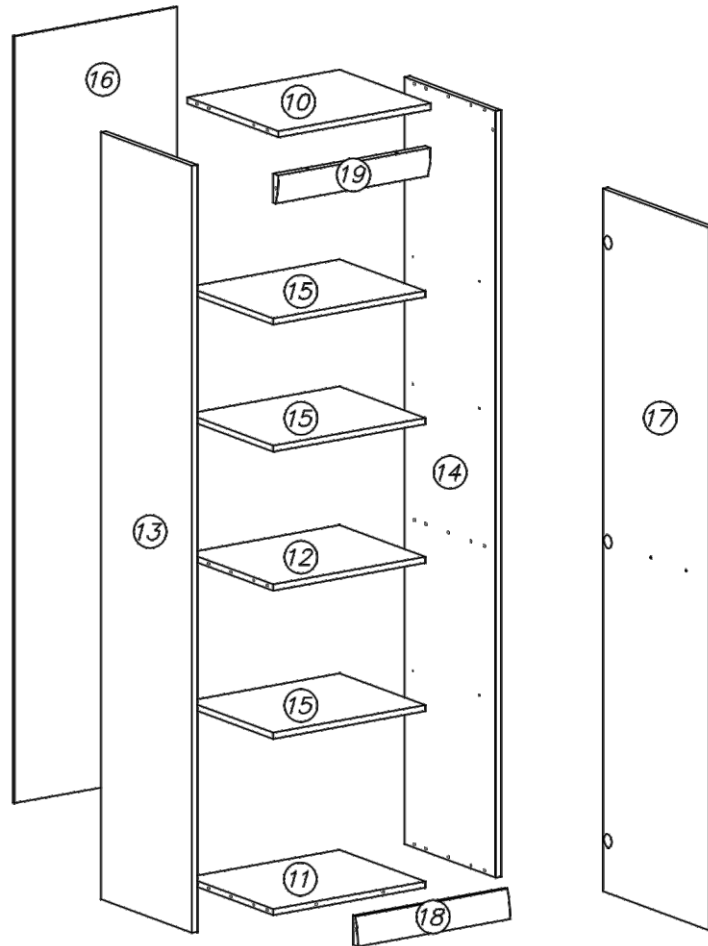
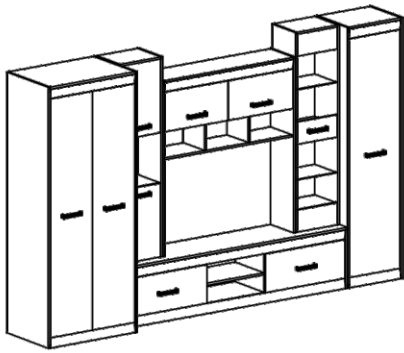
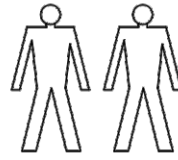
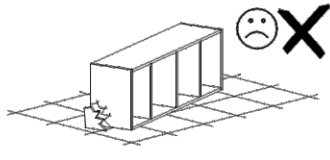
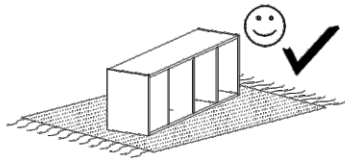
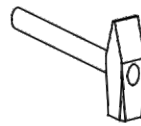
2



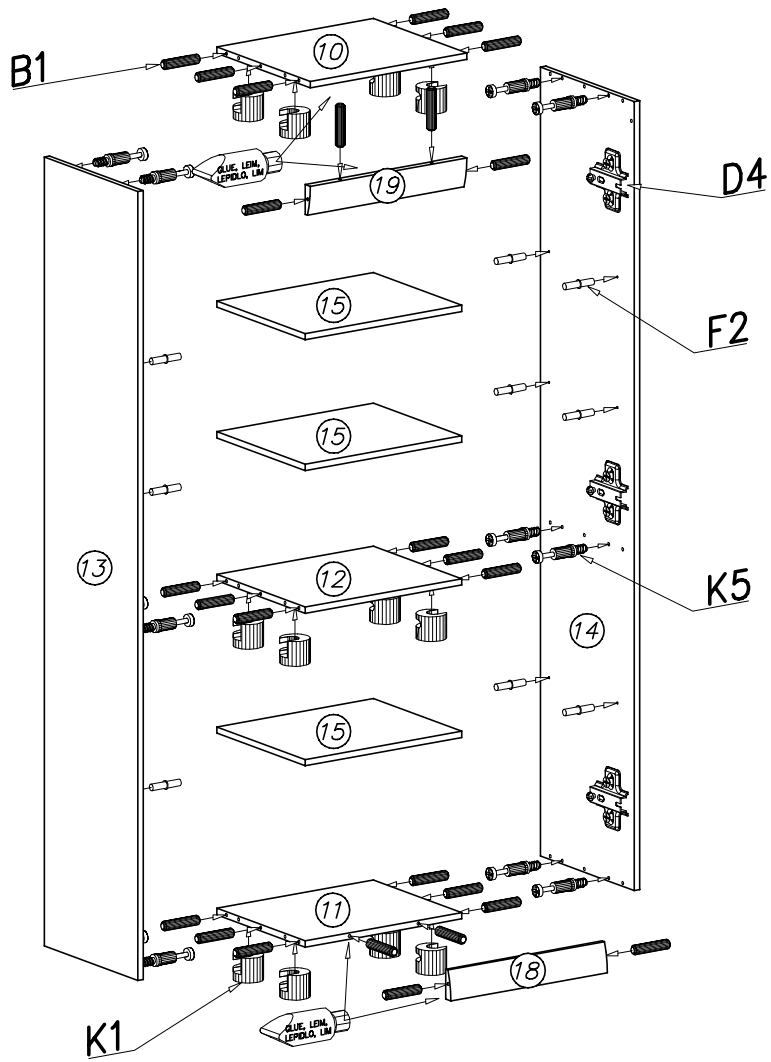
3



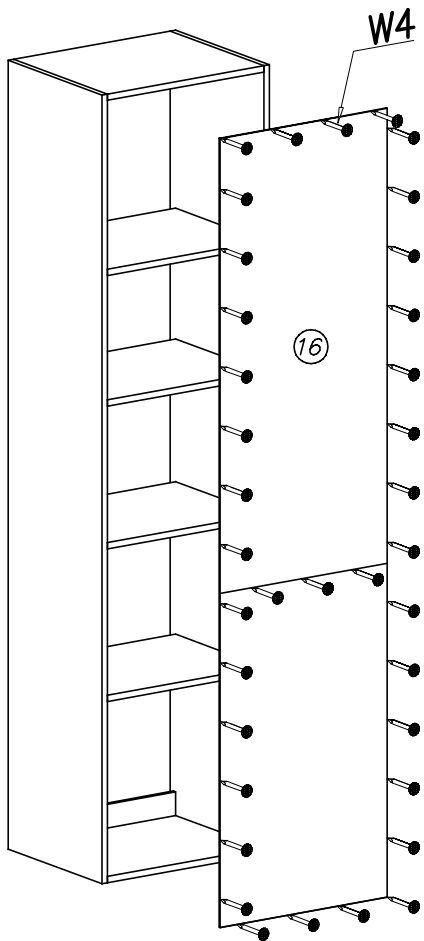
IV.



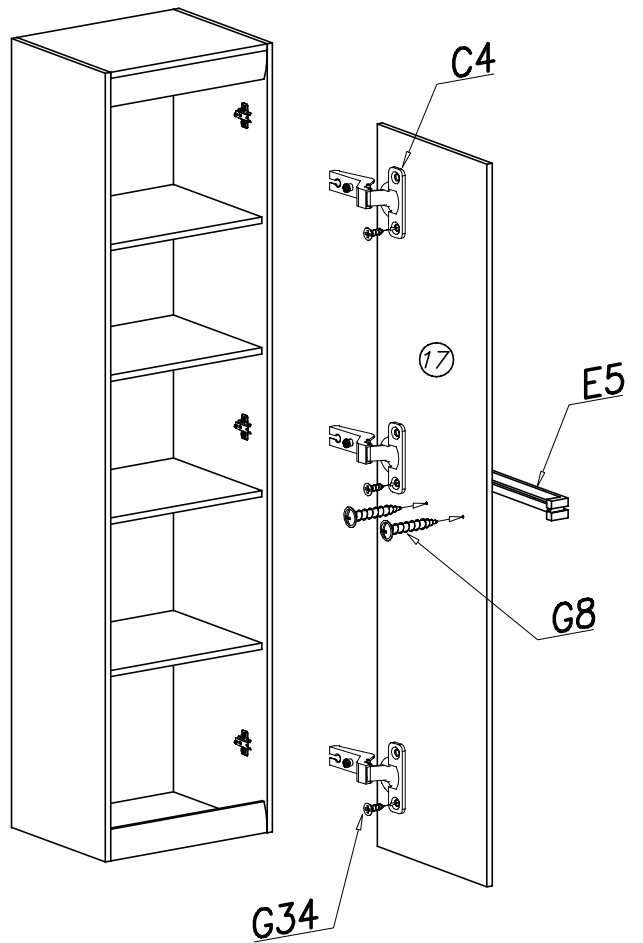
1



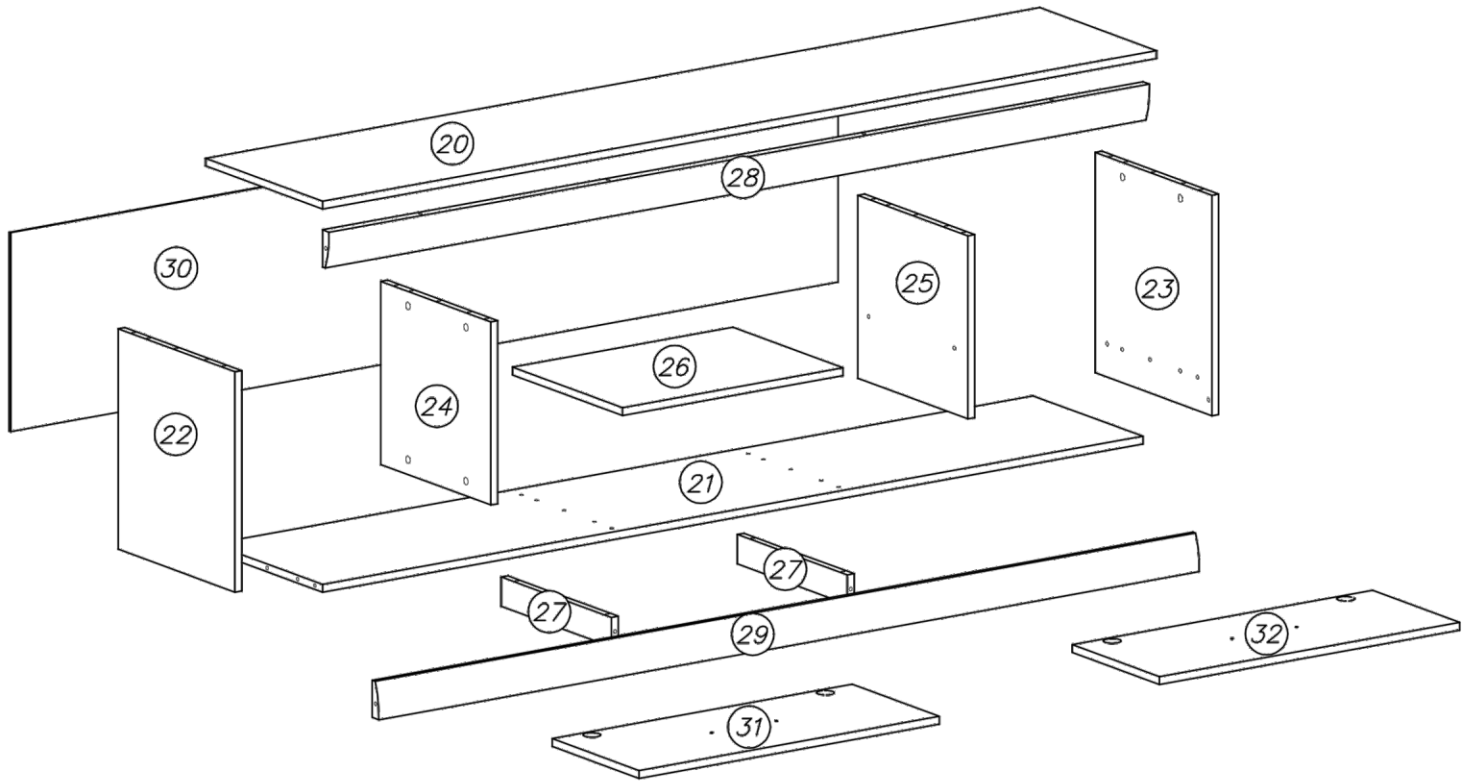
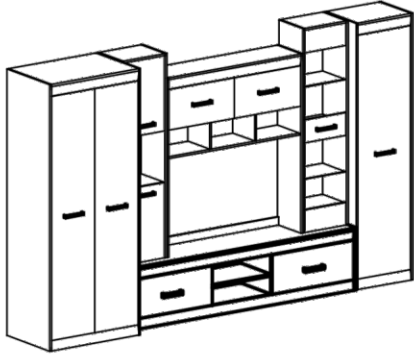
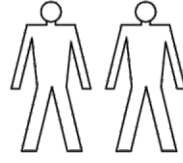
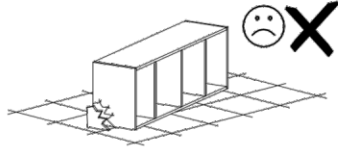
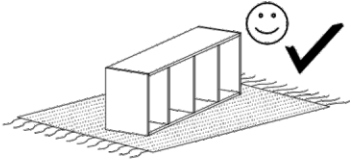
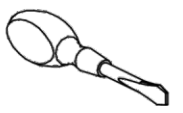
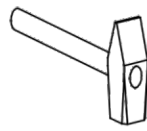
2




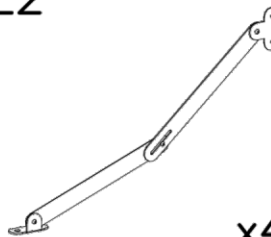
3



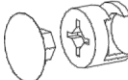
V.





G34 
3,5x16 x24

L2 
x4


W1 
GLUE, LEIM, LEPIDLO, LIM x1

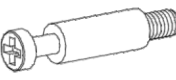
K1 
ø15x12 x16

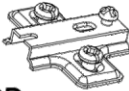
G8 
4x30 x4

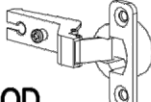
B1 
ø8x35 x38


F2 
x4

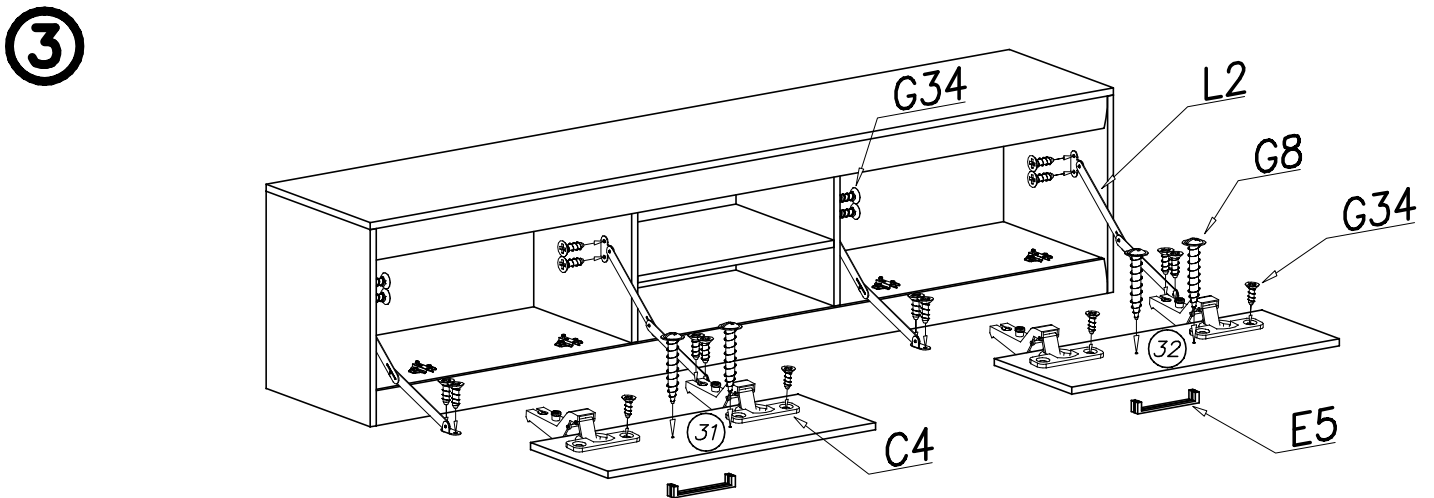
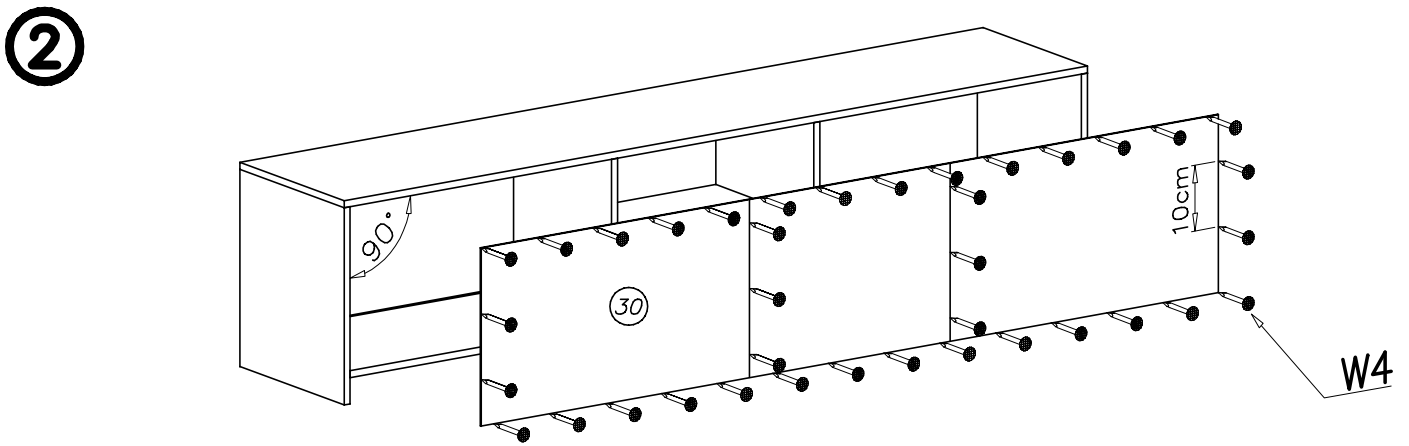
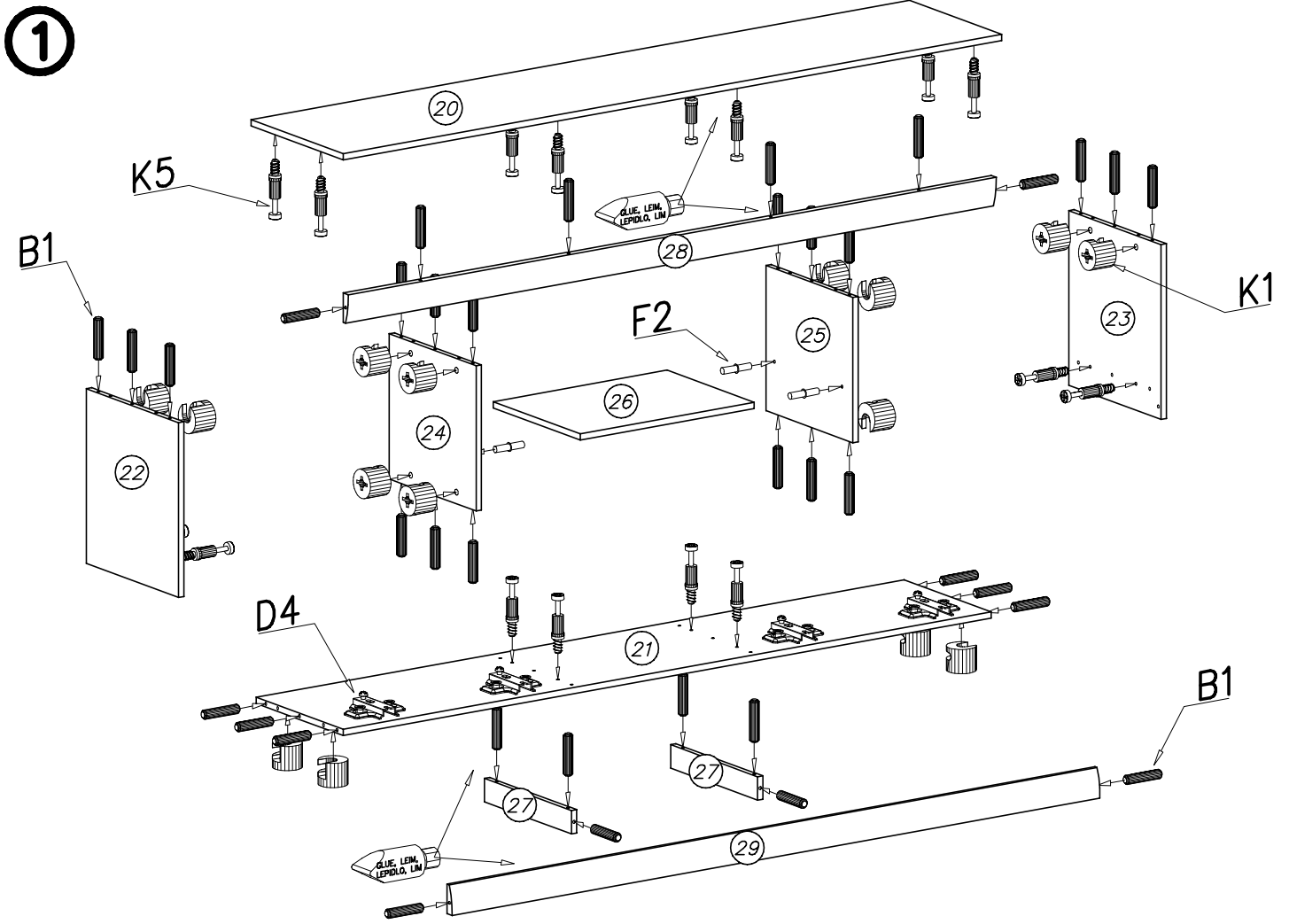
E5 
x2

K5 
x16

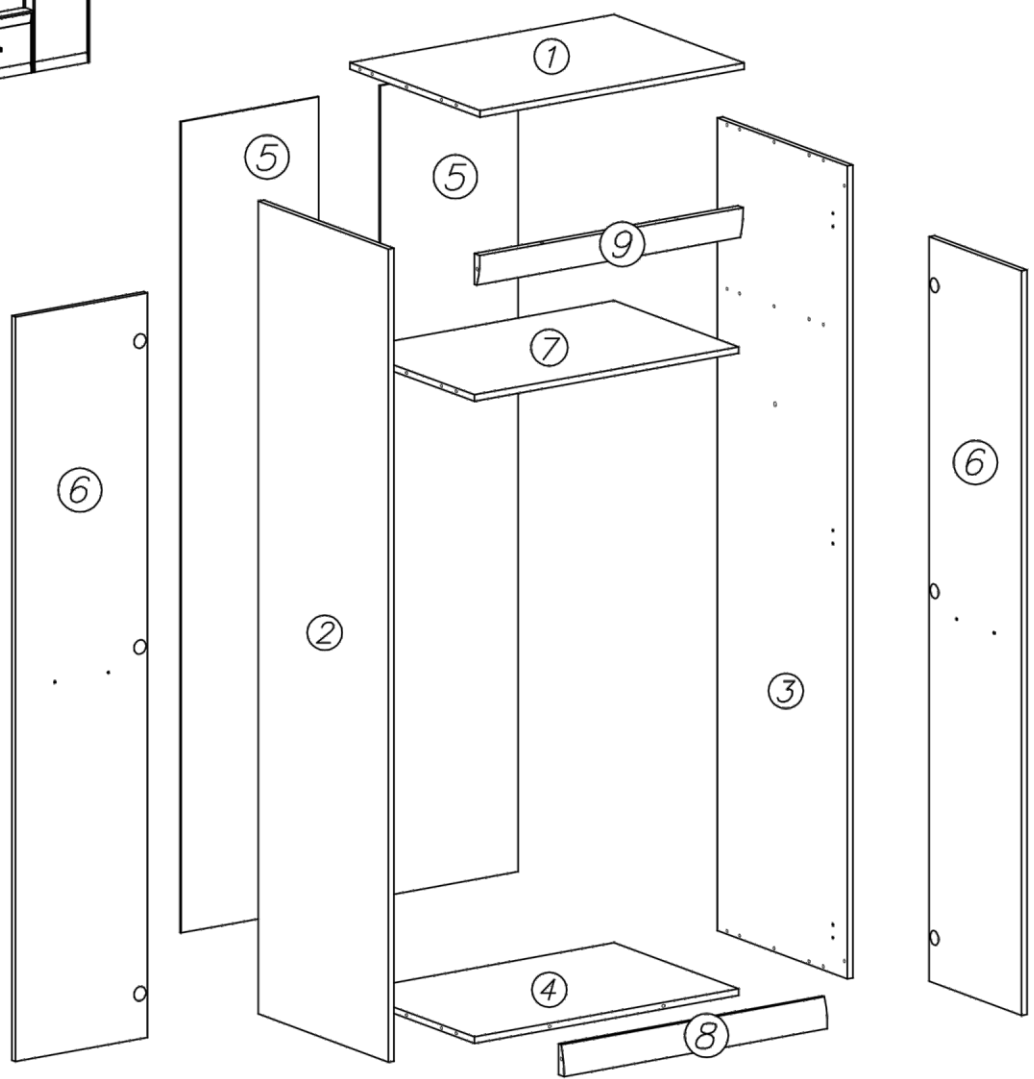
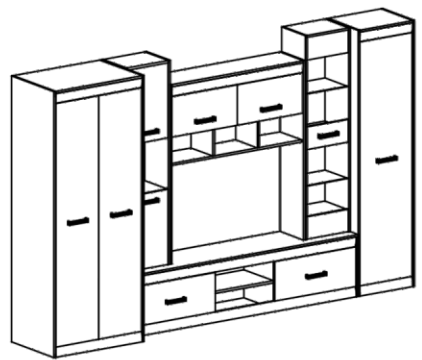
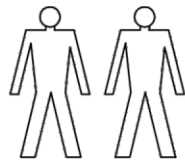
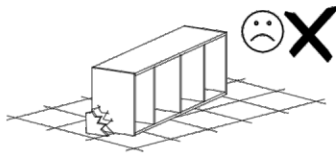
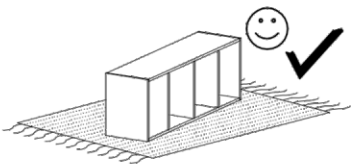
D4 
PZ350D x4




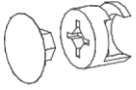
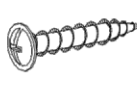
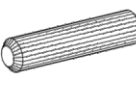


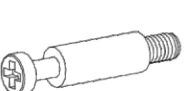
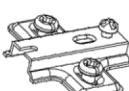
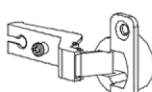


C4 
Z350D x4

W4 
1,6x20 x60

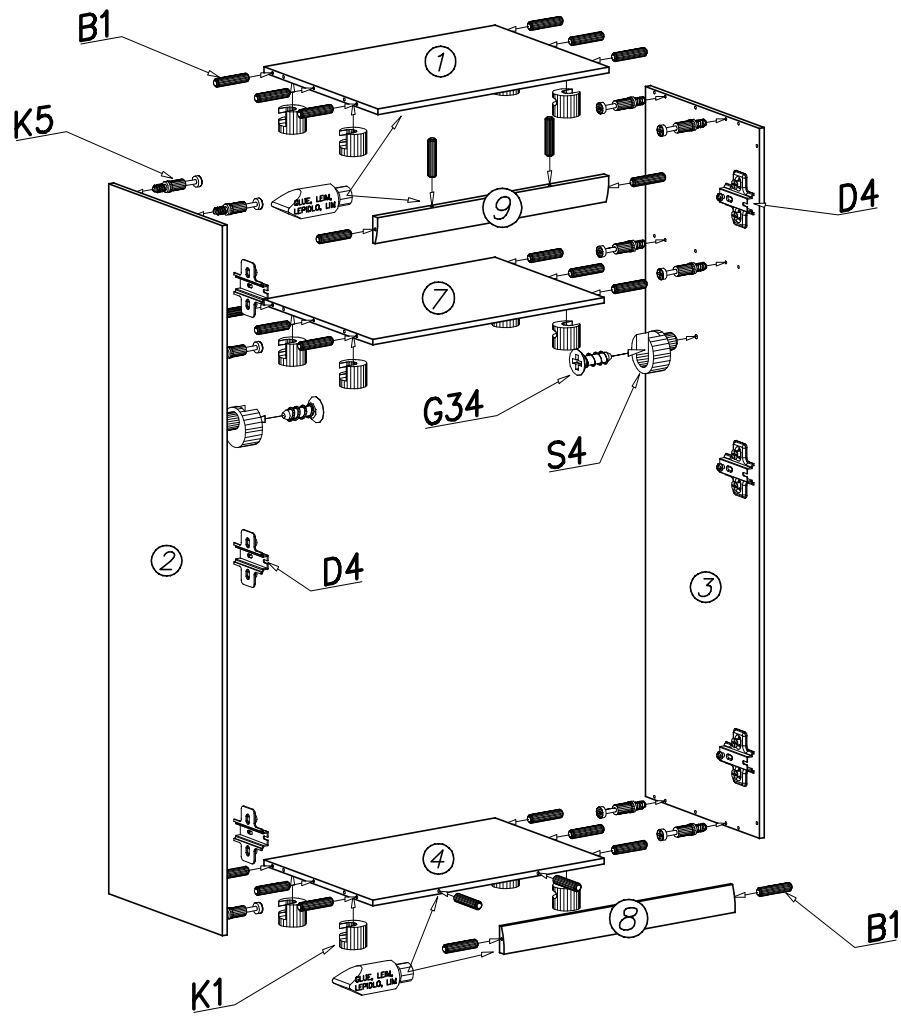


VI.

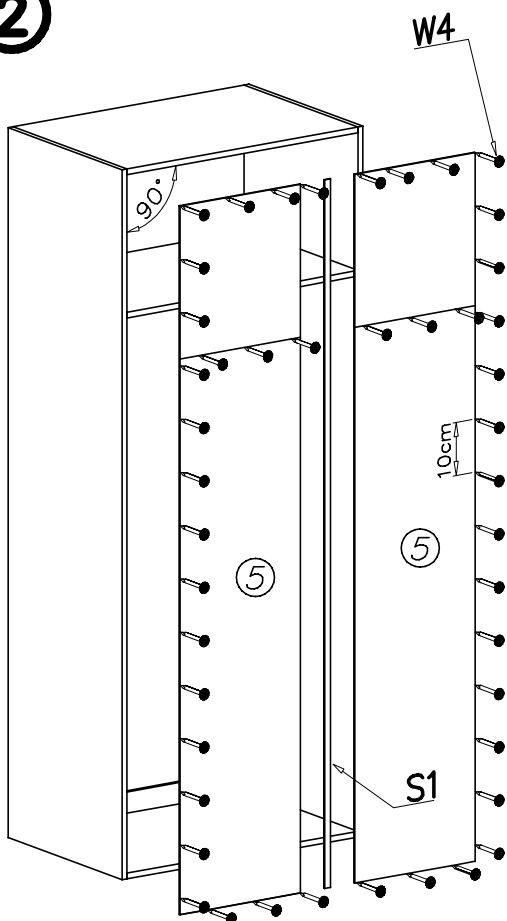


		W1  GLUE, LEIM, LEPIÐLO, LIM x1	S4  x2	S5  x1
K1  ø15x12 x12	G8  4x30 x4	B1  ø8x35 x26	G34  3,5x16 x14	S1  x1
K5  x12	D4  PZ350D x6	C4  Z350D x6	W4  1,6x20 x80	E5  x2

1



2



3

