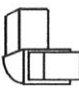





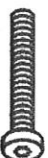
 A x 4	 B x 4	 C x 2	 D x 2	 E x 8	 F x 12
 G x 4	 H x 16	