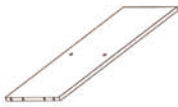


# PRETO



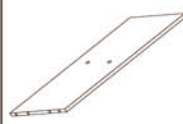
① x 2



② x 1



③ x 2



④ x 2



⑤ x 2



a x 12



b x 16



c x 24



d x 12



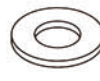
e x 2



f x 1



g x 1



h x 2

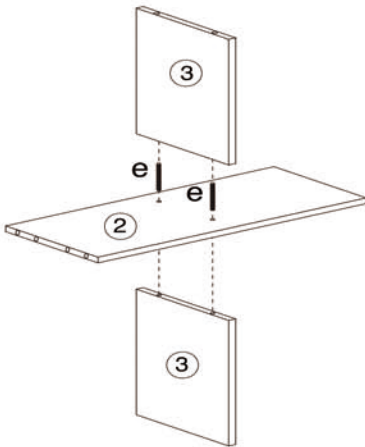


i x 1

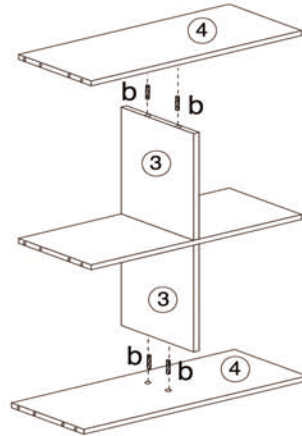


j x 1

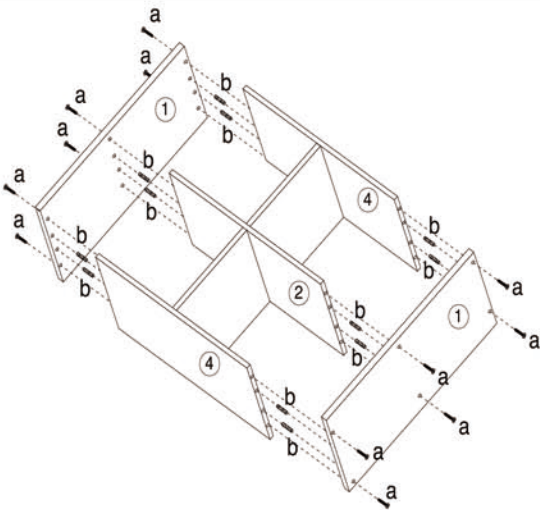
1



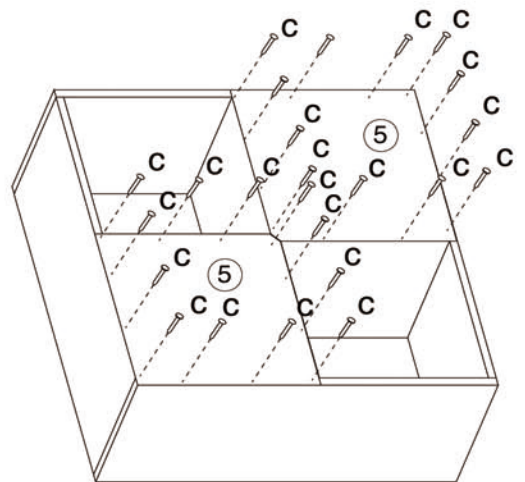
2



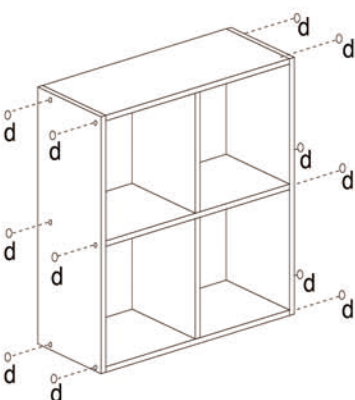
3



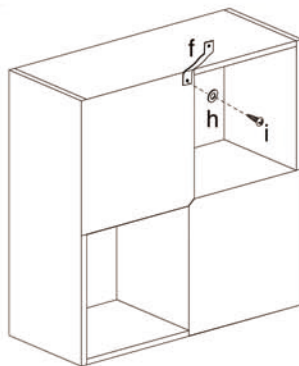
4



5



6



7

