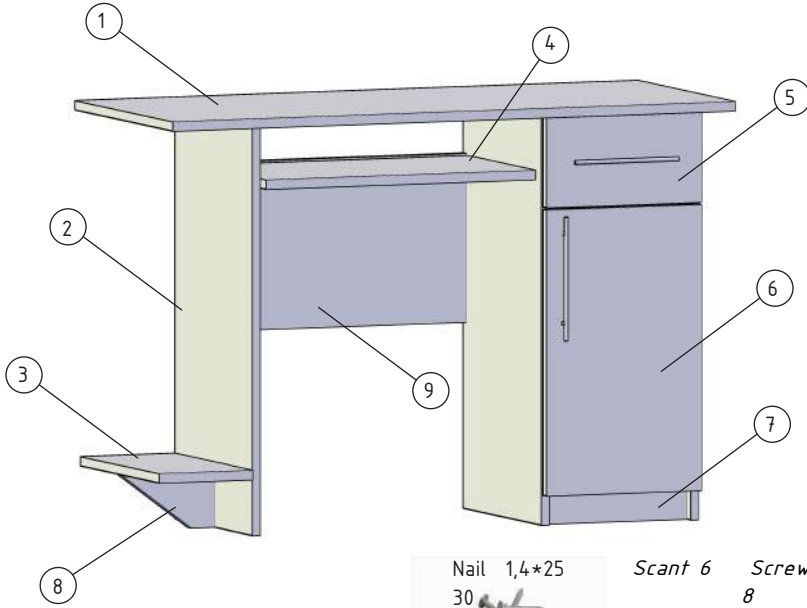


Computer desk

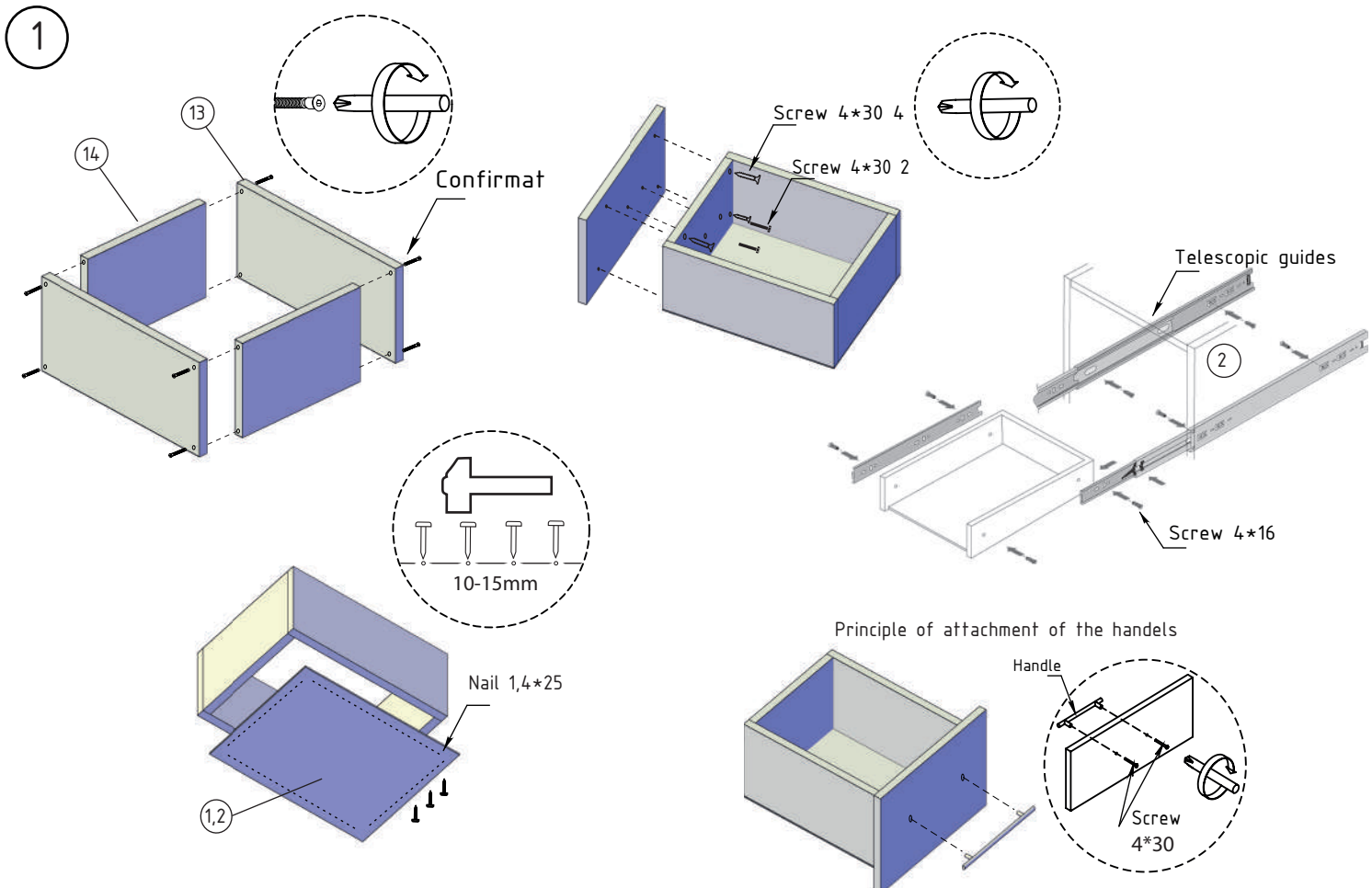
Product variant: left and right



Nº	Denomination	dimensions(mm)	quantity
1	Top	1200*510	1
2	Side	734*410	3
3	Shelf 1	200*410	1
4	Keyboard sheif	574*350	1
5	Front of drawer	160*330	1
6	Front	510*330	1
7	Socle	302*60	2
8	Stand	100*200	1
9	Strainer 1	600*300	1
10	Bottom	410*302	1
11	Shelf 2	390*300	1
12	Strainer 2	302*80	1
13	Side of drawer 1	350*120	2
14	Side of drawer 2	244*120	2

Fireboard

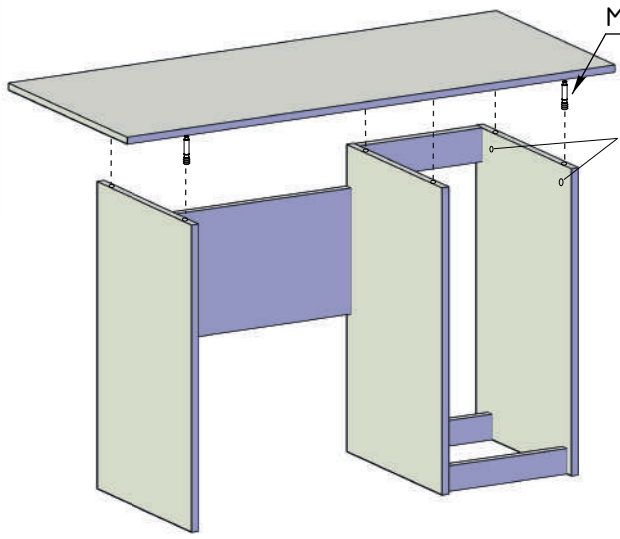
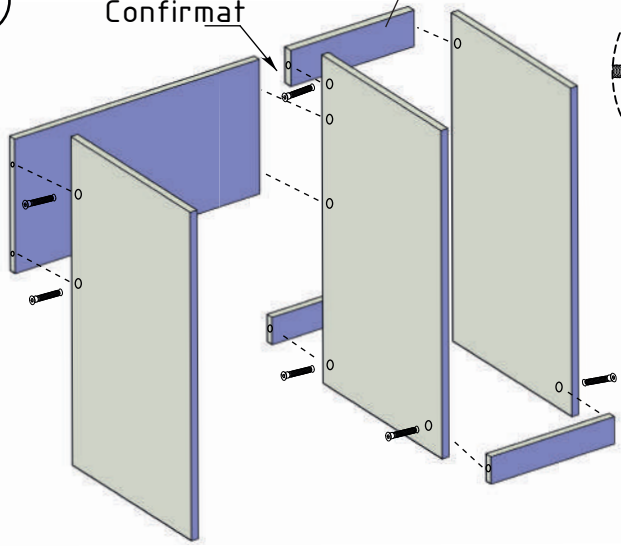
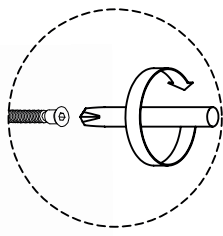
1,1	Fireboard	672*332	1
1,2	Fireboard	348*274	1



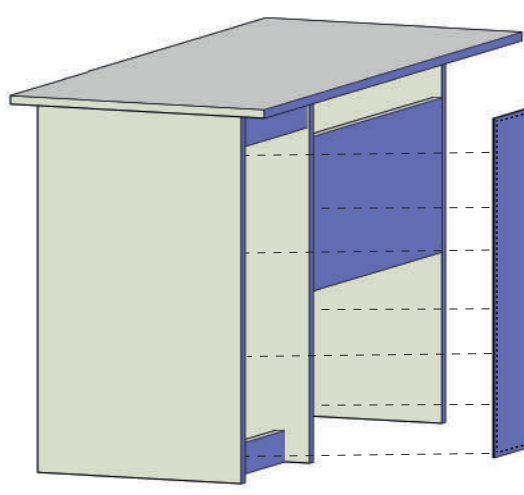
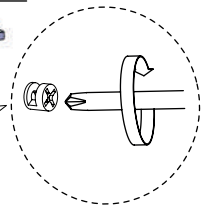
2

Confirmat

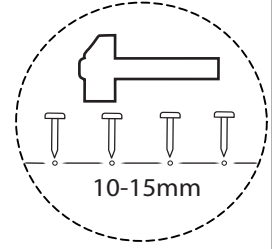
12



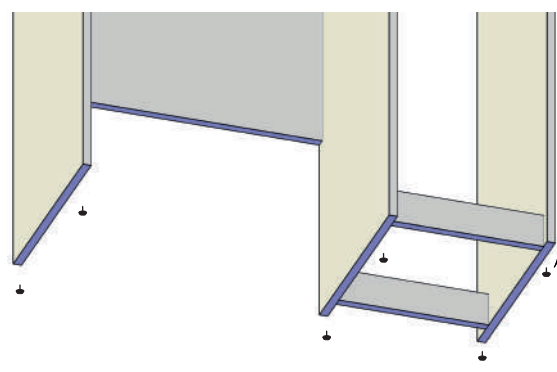
Minifix



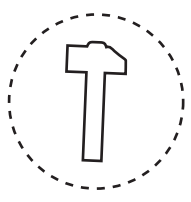
Nail 1,4*25



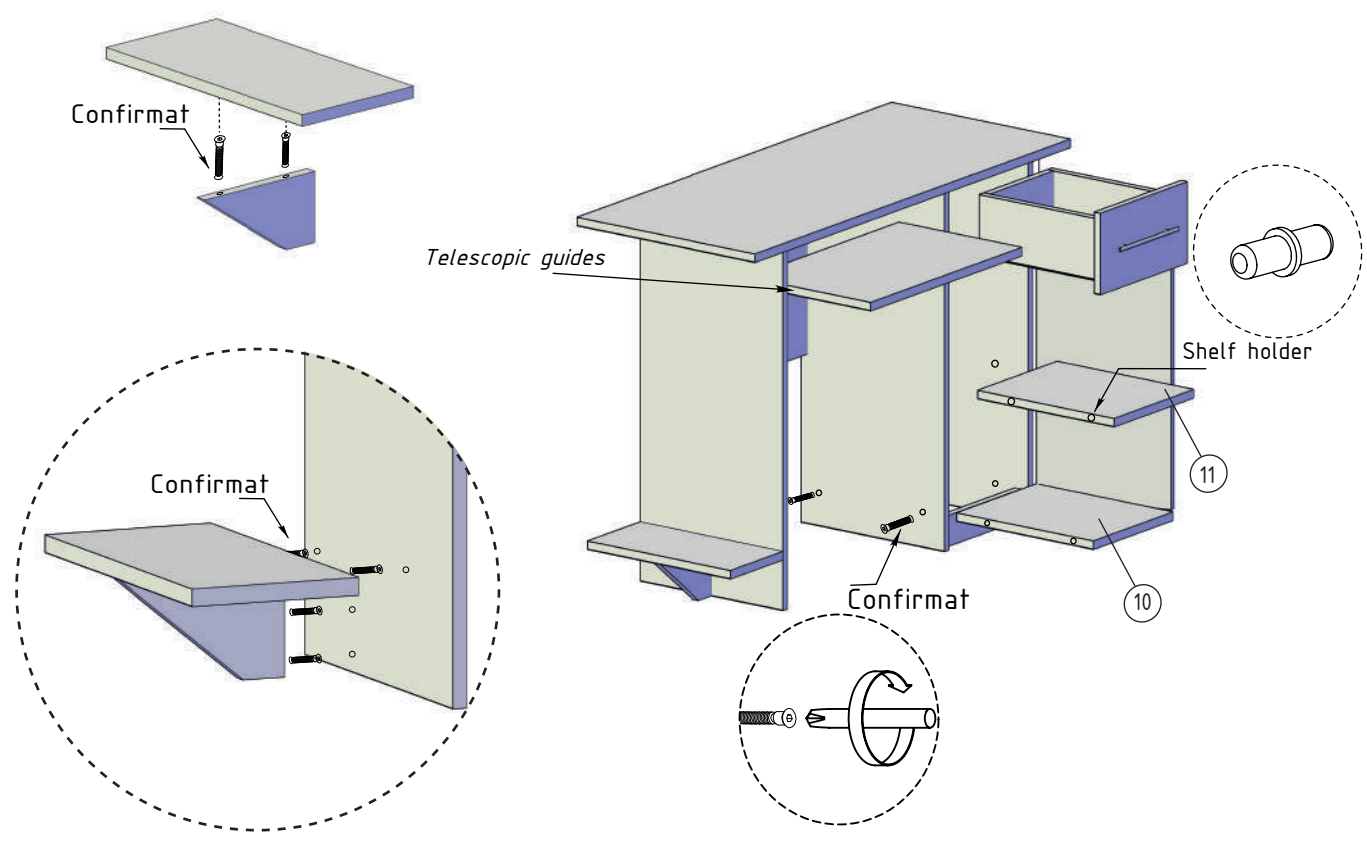
1,1



Leg M6*6



3



Principle of attachment of the handles

