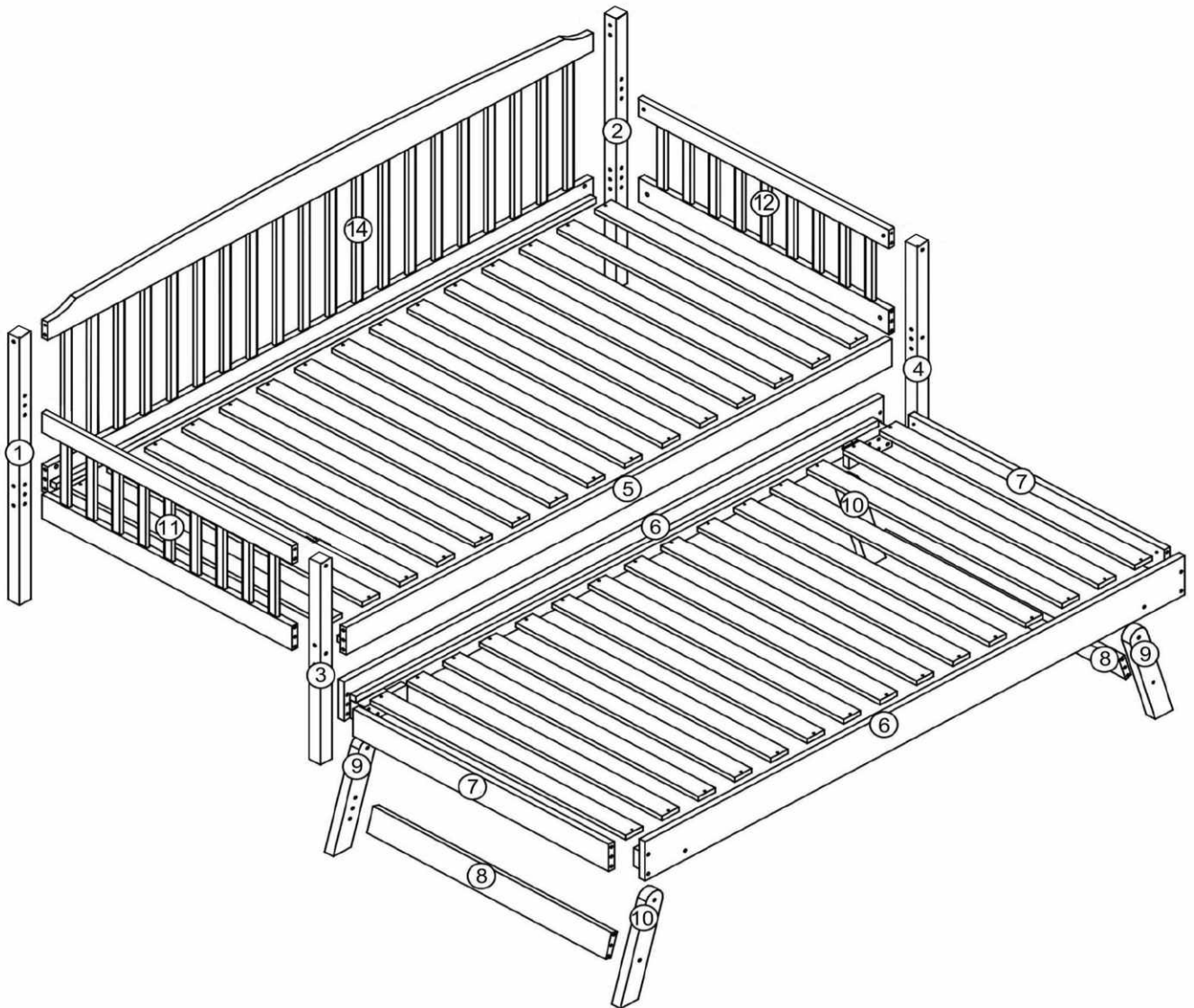
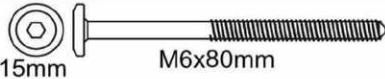
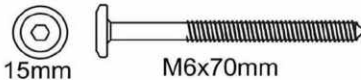

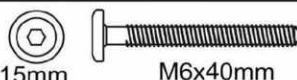
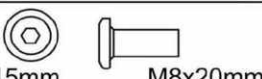


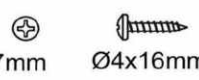






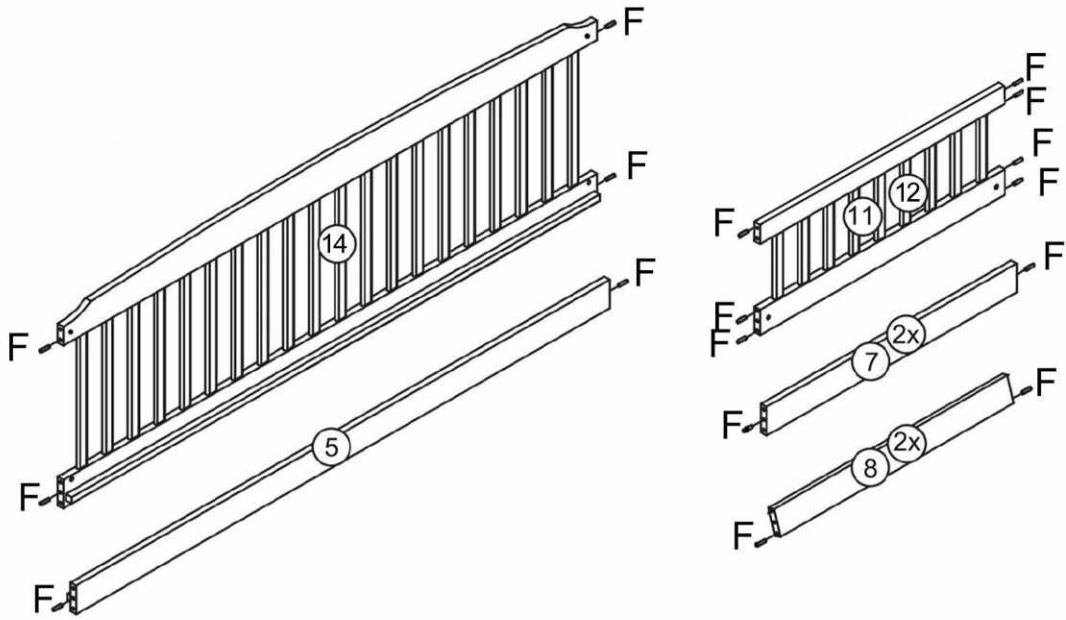
PEDREZA




A	 15mm M6x80mm	18
B	 15mm M6x70mm	12
C		30
D	 15mm M6x40mm	04
E	 15mm M8x20mm	06
F	 Ø8x30mm	28

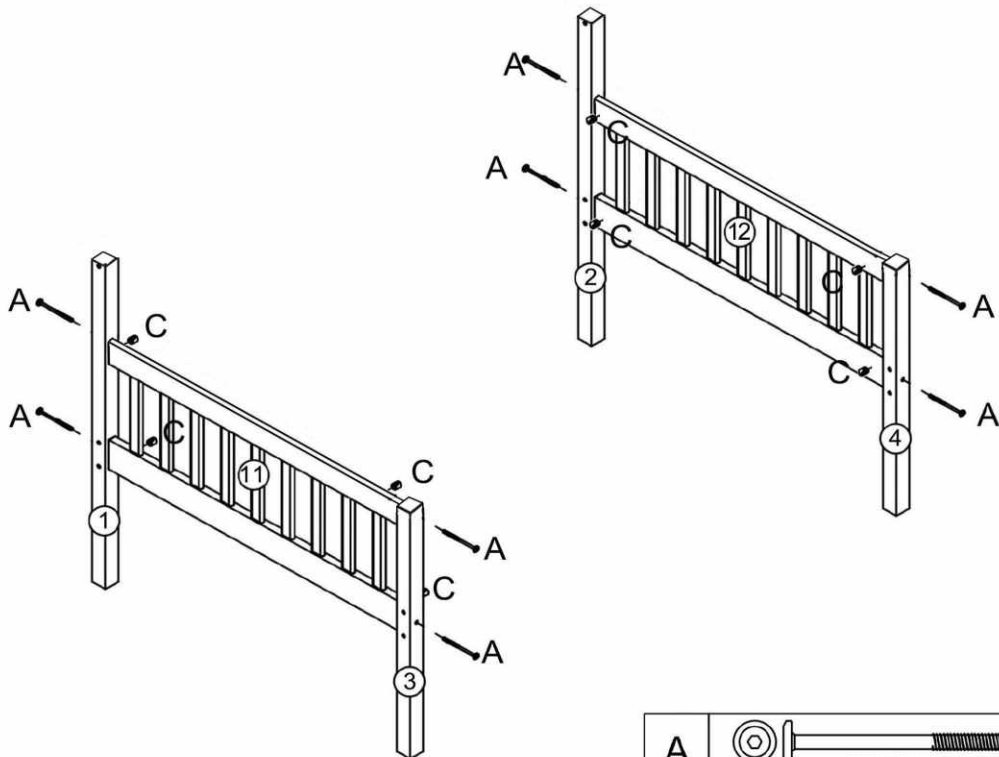
G		04
H	 7mm Ø4x16mm	08
I	 8mm Ø4x30mm	60
J		01
K	 15mm M6x30mm	02
L	 Ø15mm	22

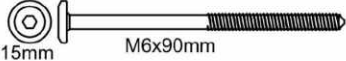

01



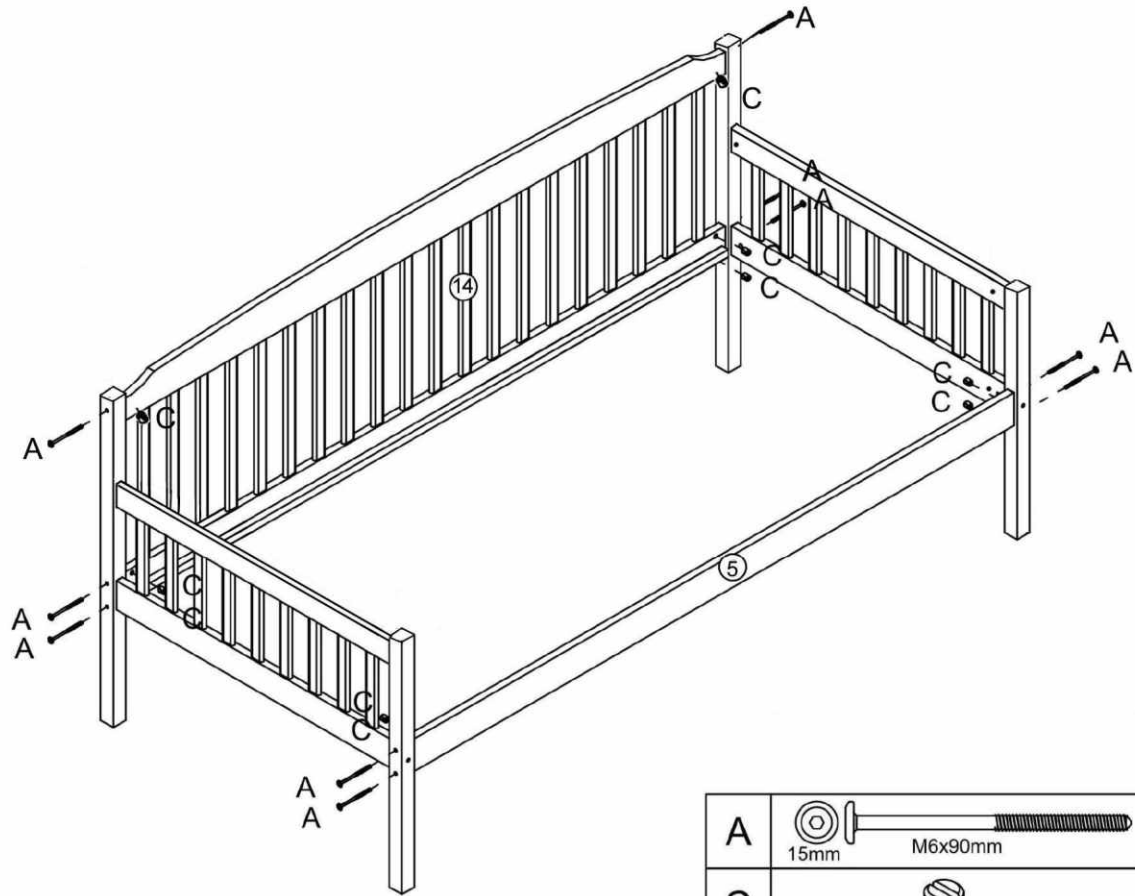
F	 Ø8x30mm	28
---	--	----



02



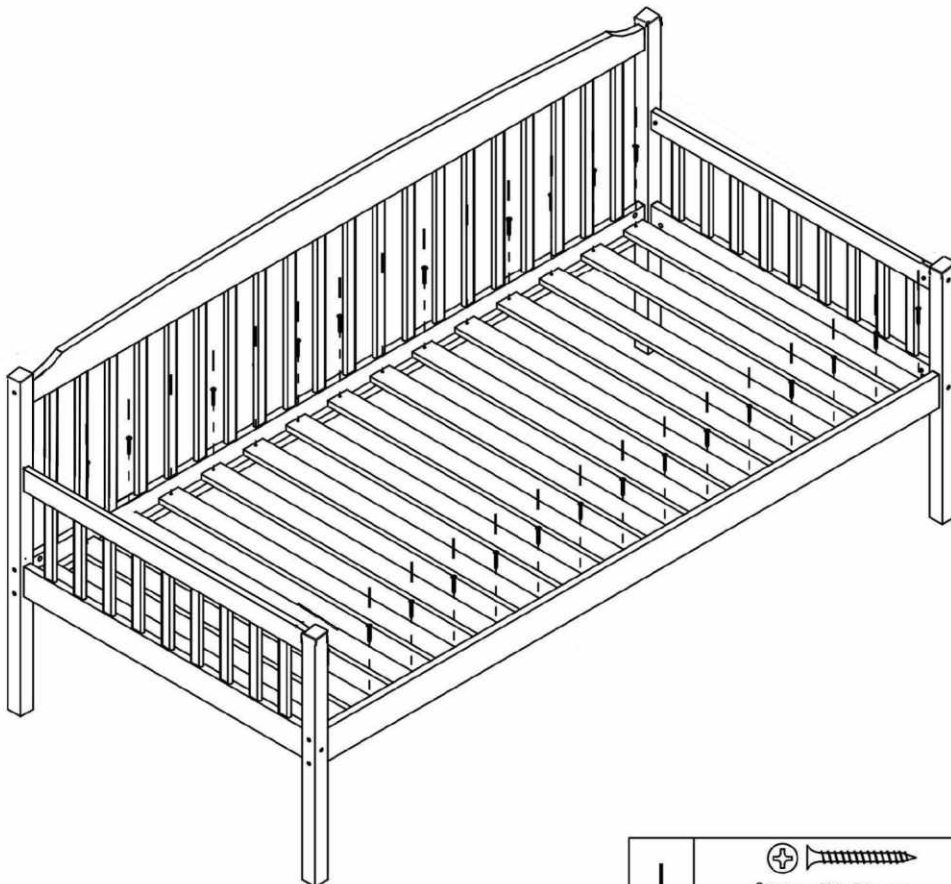
A	 15mm M6x90mm	08
C		08


03



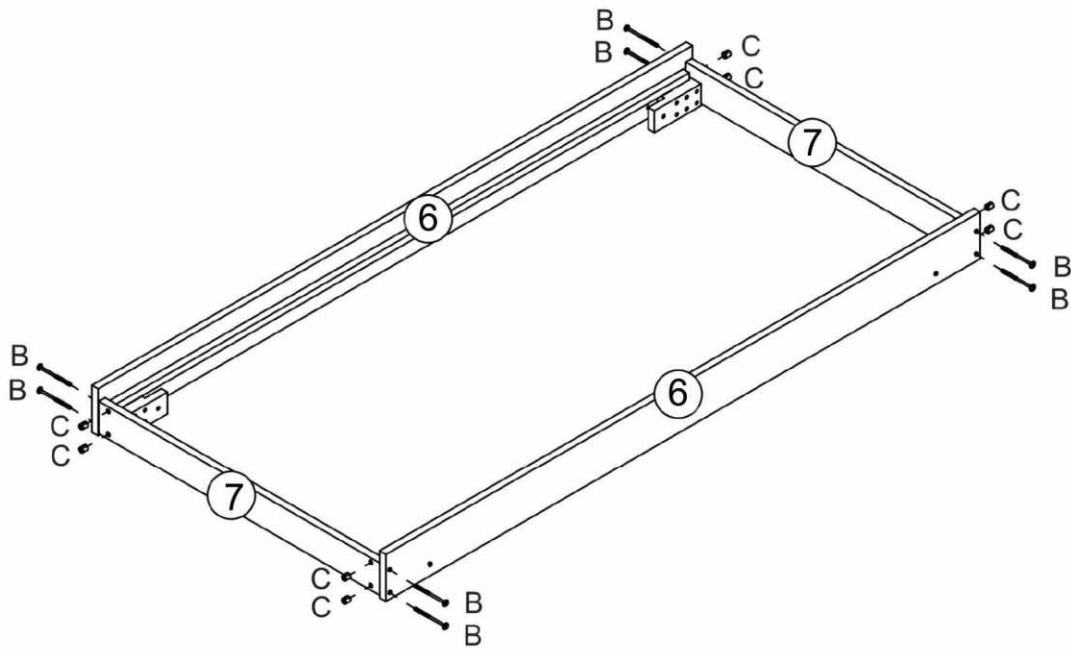
A	 15mm M6x90mm	10
C		10


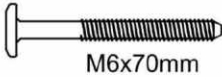

04



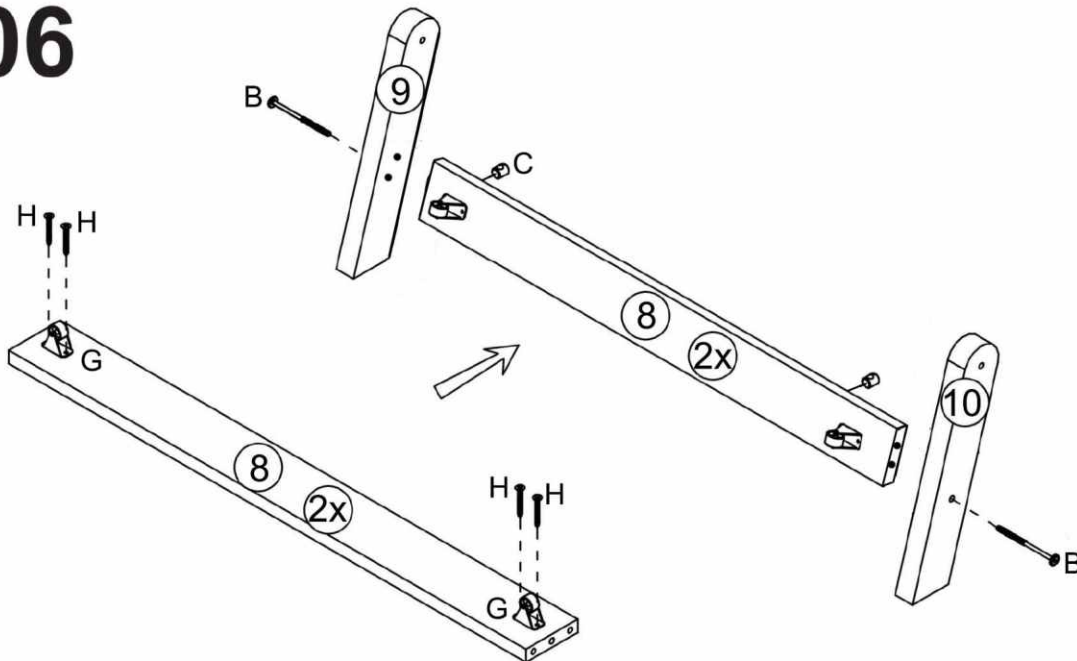
I	 8mm Ø4x30mm	30
---	---	----


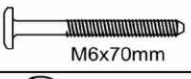

05



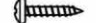


B	 	08
C		08

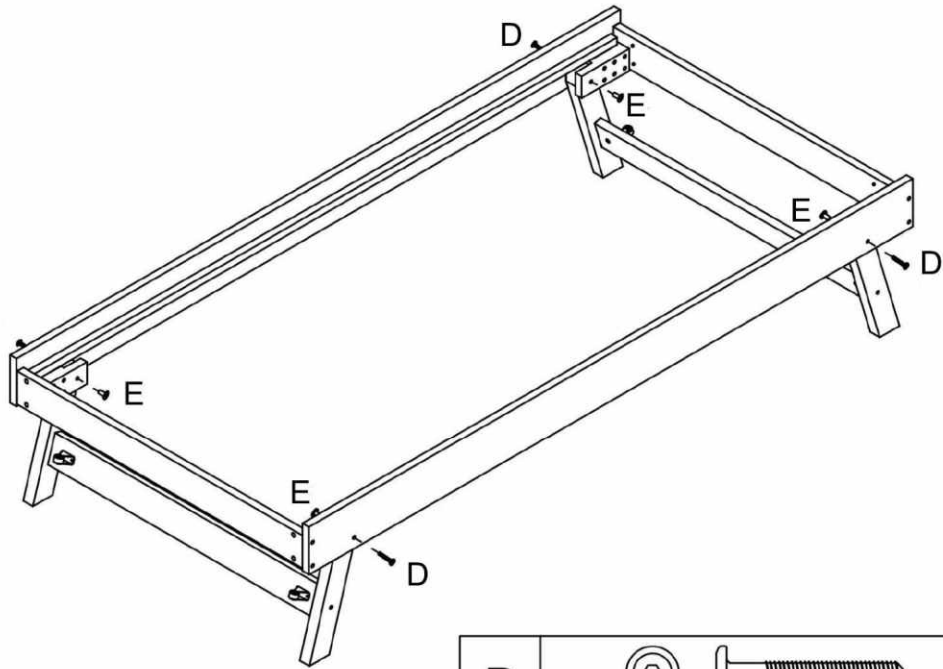
06


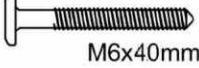

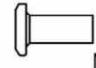


B	 	04
C		04

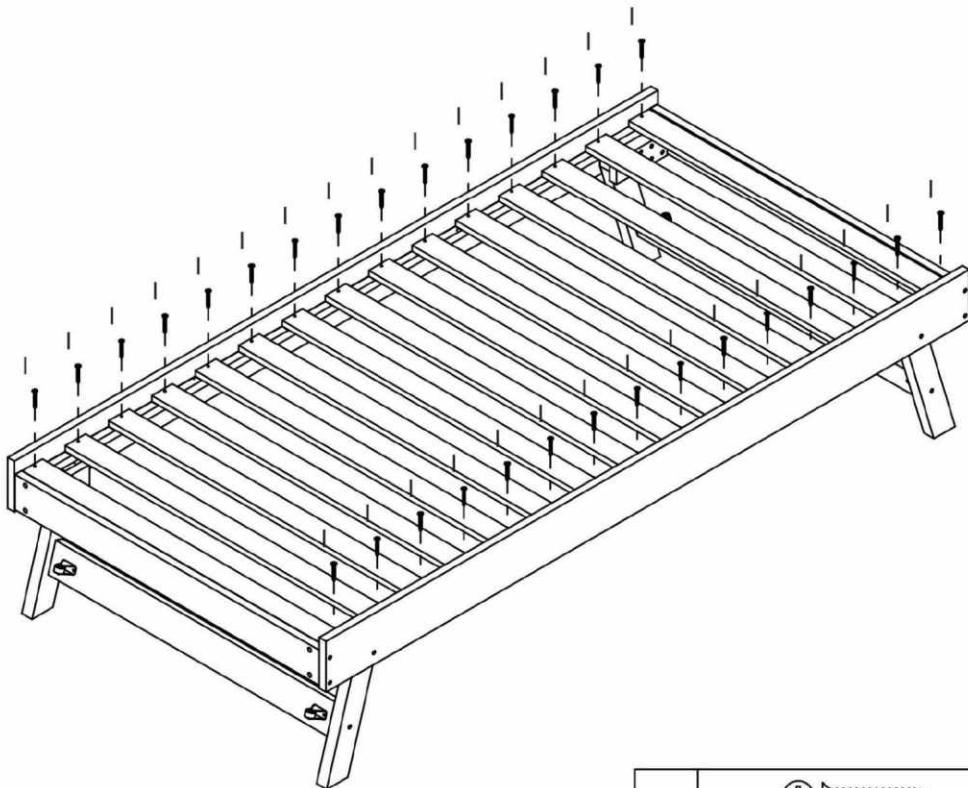
G		04
H	 	08


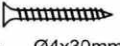
07



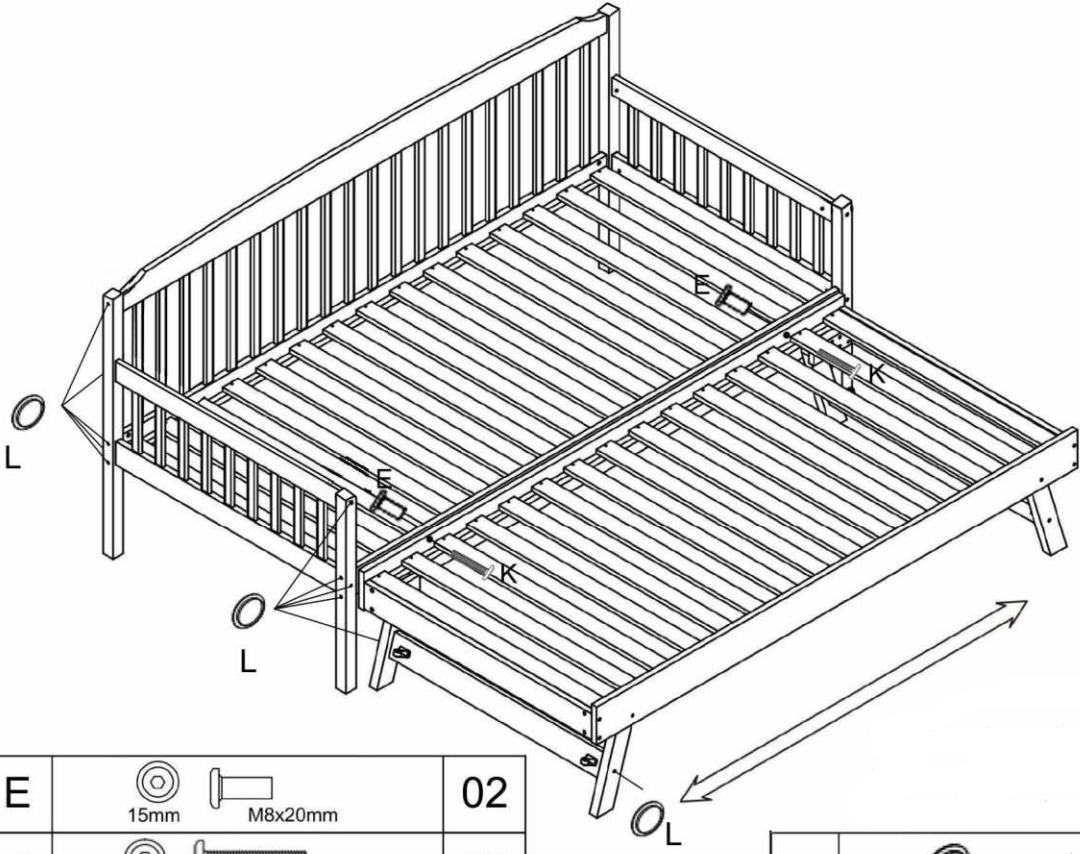
D	 15mm	 M6x40mm	04
E	 15mm	 M8x20mm	04


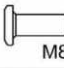


08




I	 8mm	 Ø4x30mm	30
---	--	--	----

09



E	 	02
K	 	02

L	 Ø15mm	22
---	---	----

10

