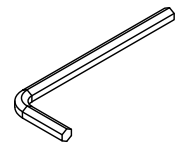
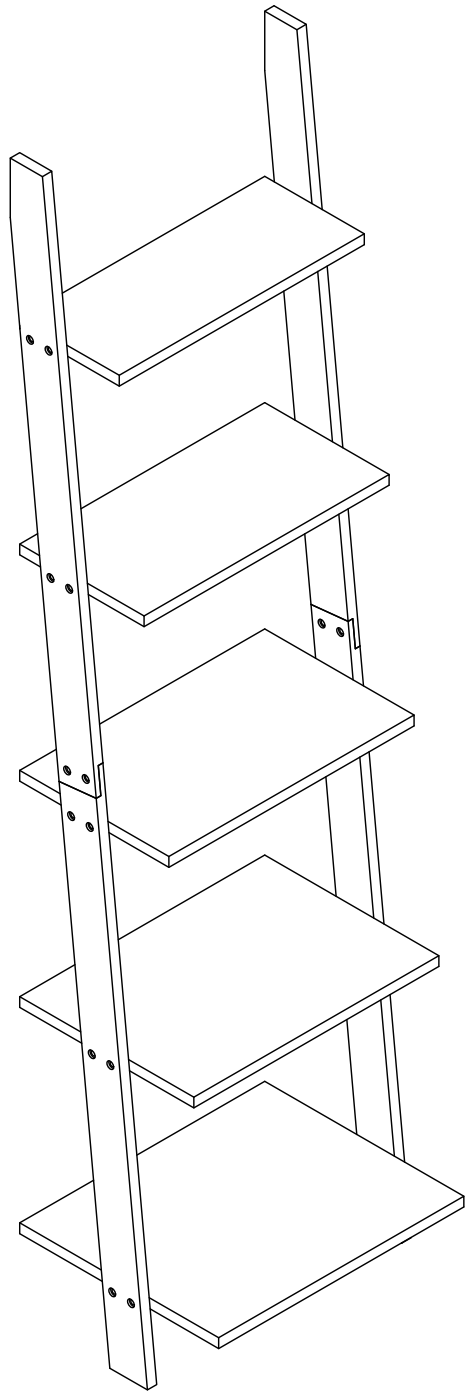


# GAPA typ 3



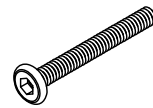
Ax1



Bx4



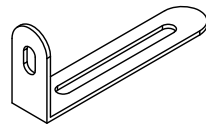
Cx4



Dx20



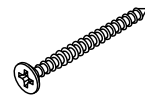
Ex20



Fx1



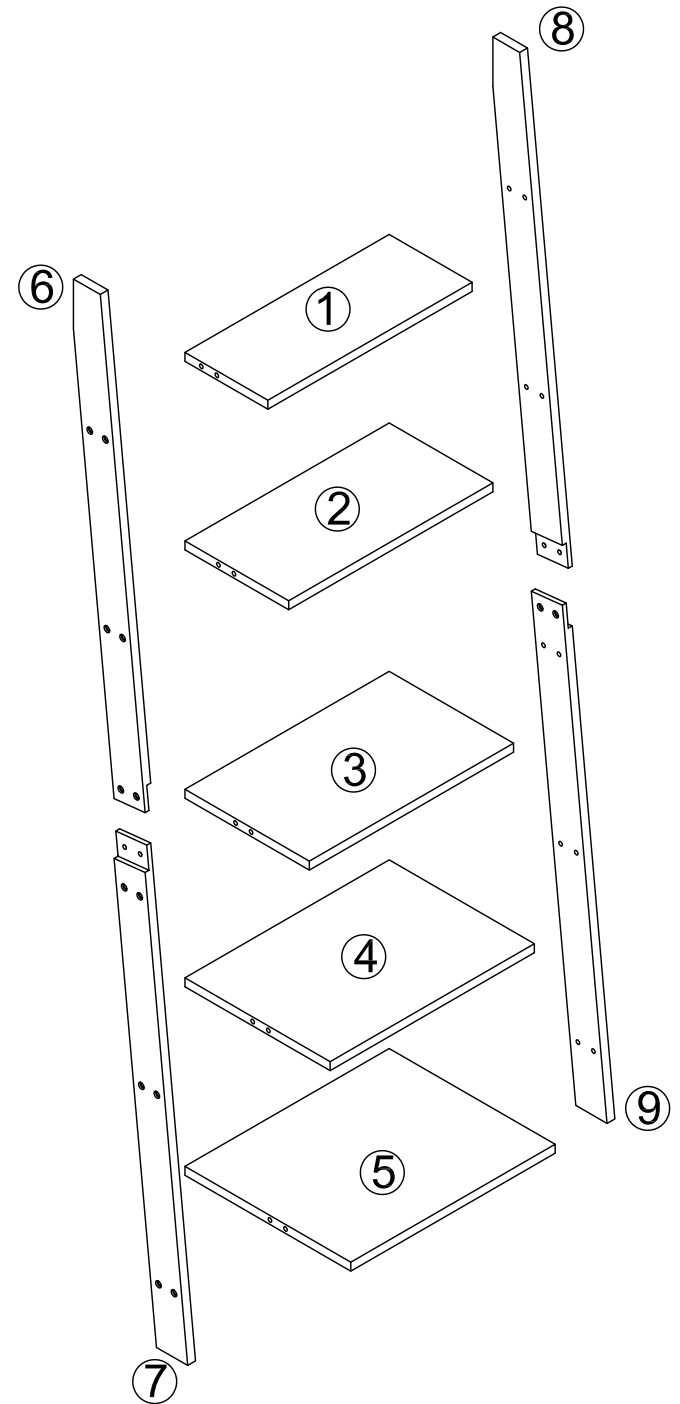
Gx1



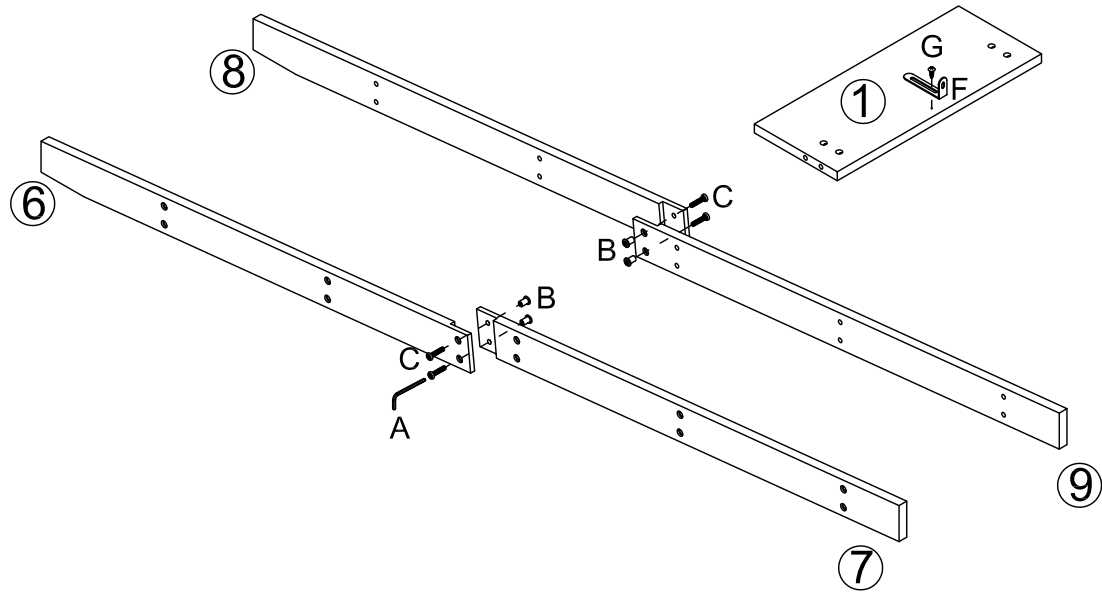
Hx1



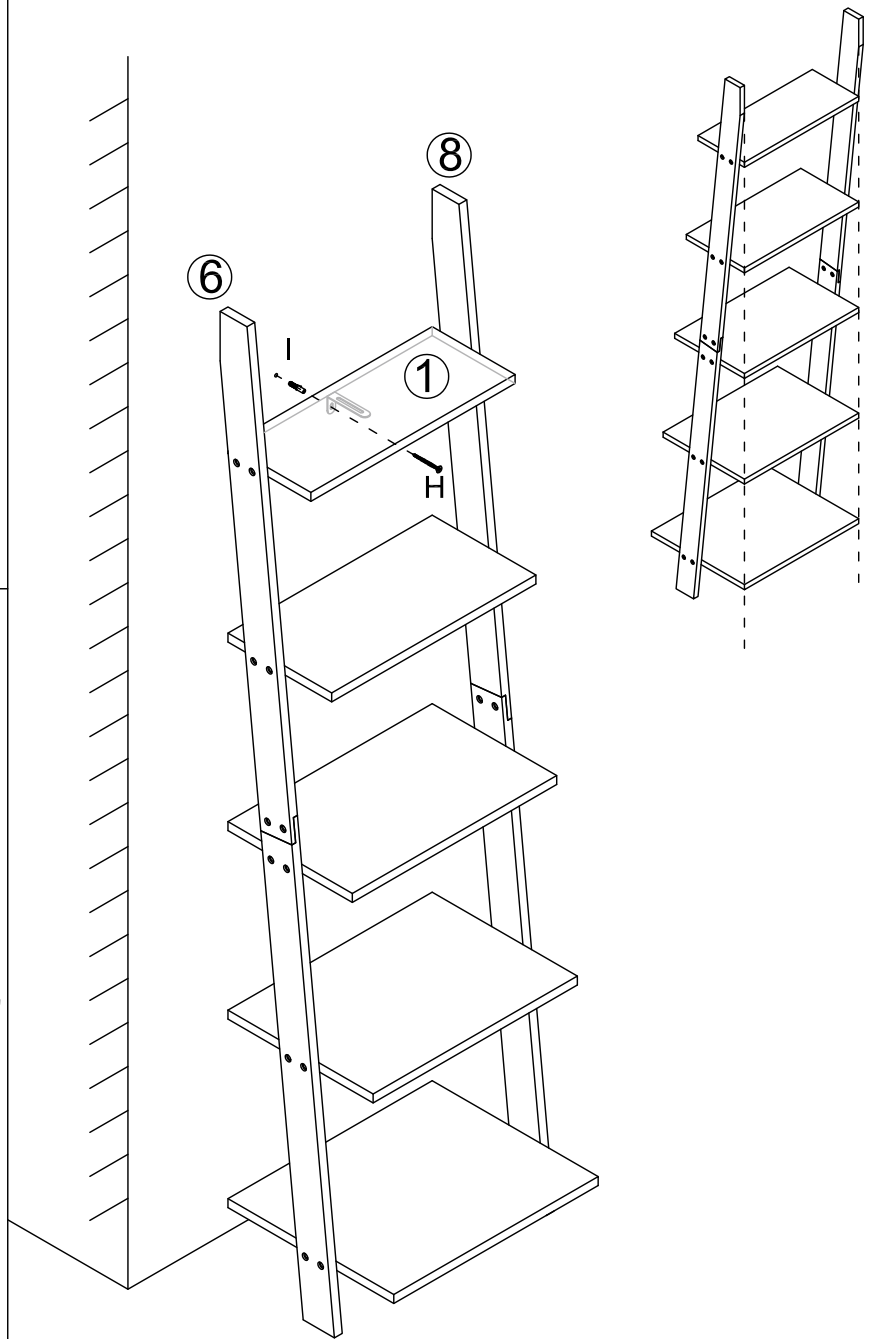
Ix1



1



3



2

