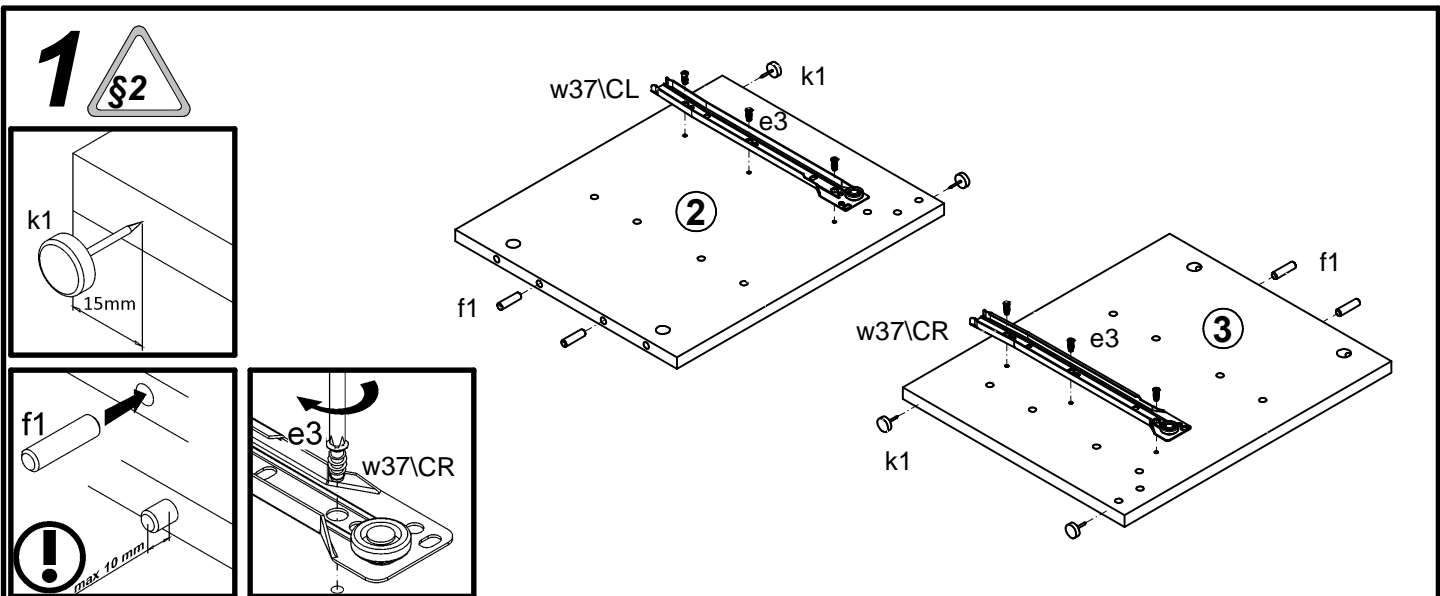
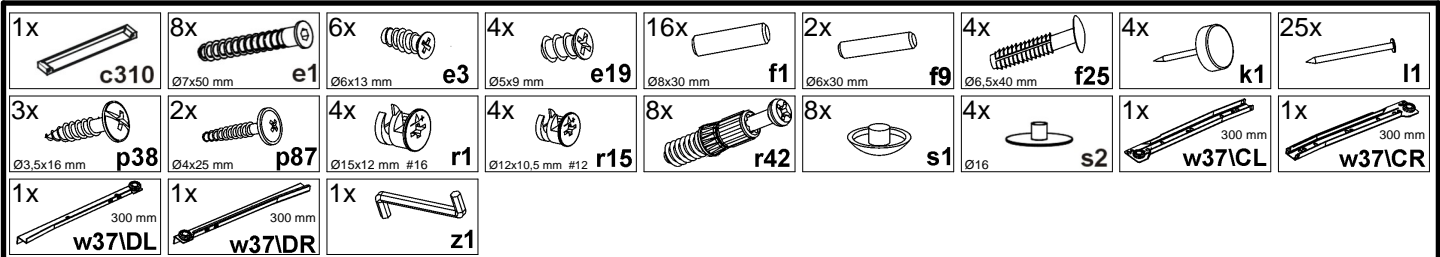
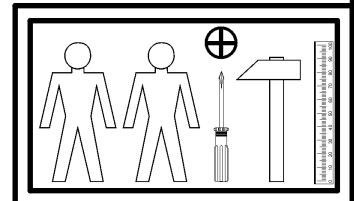
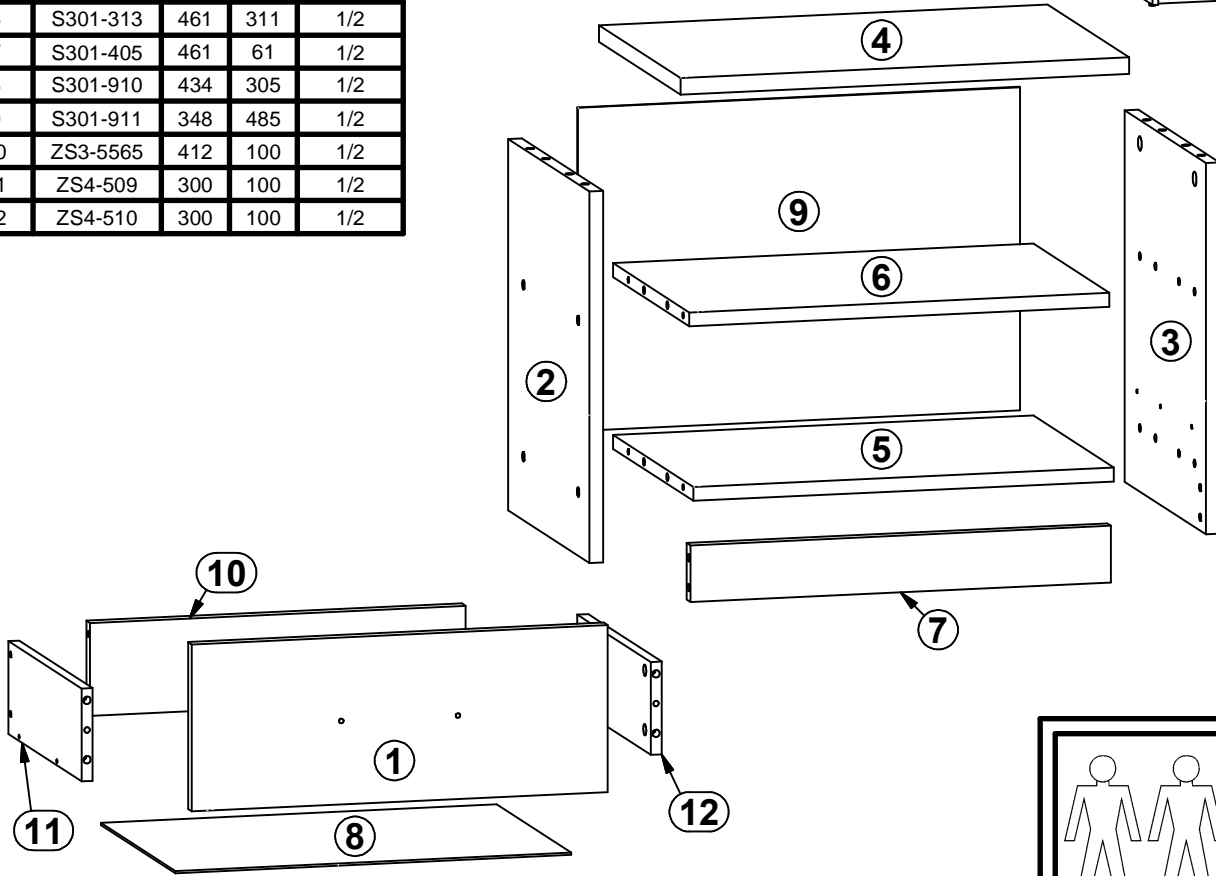
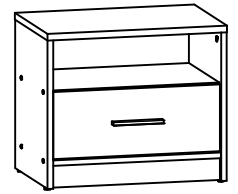
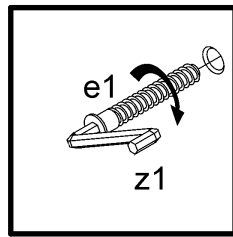
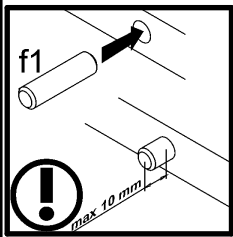
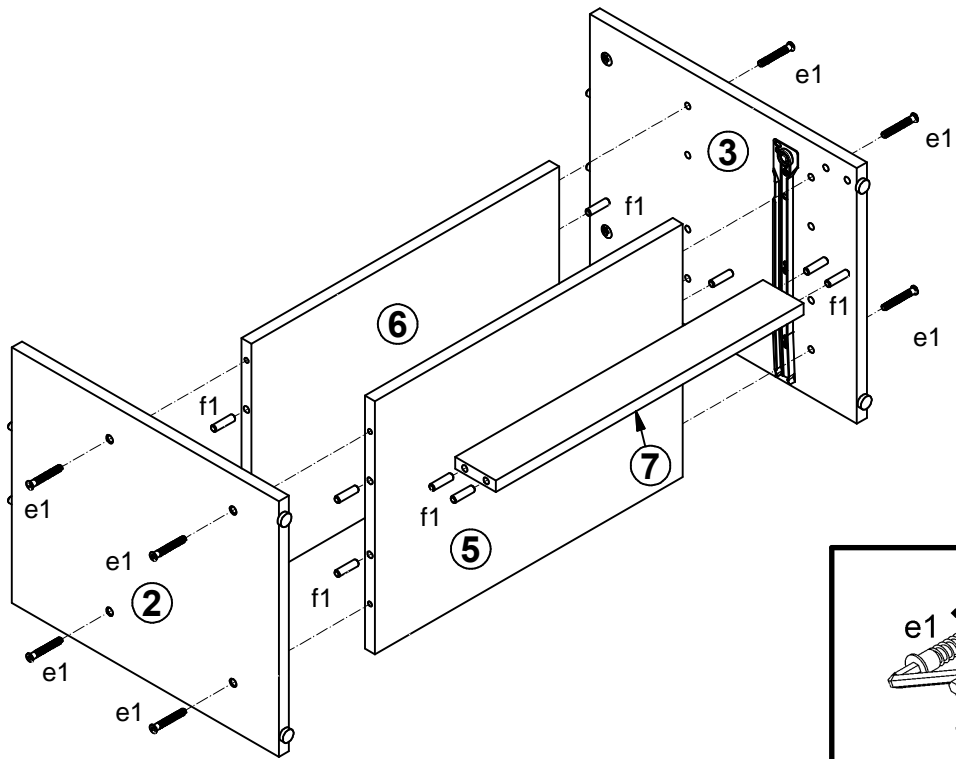


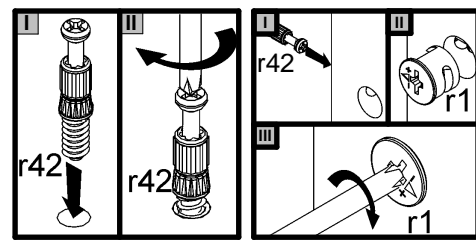
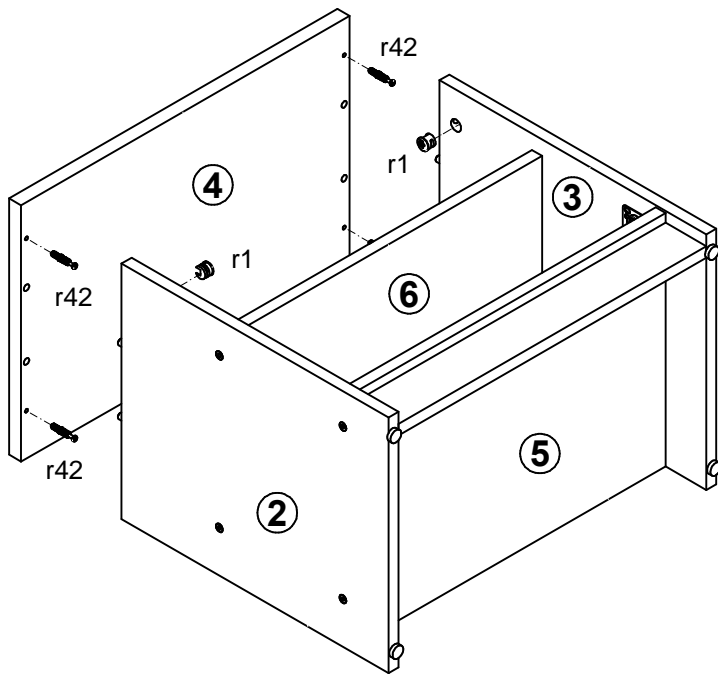
| A | B | C | D | |
|----|----------|-----|-----|-----|
| 1 | S301-008 | 456 | 180 | 2/2 |
| 2 | S301-115 | 400 | 332 | 1/2 |
| 3 | S301-116 | 400 | 332 | 1/2 |
| 4 | S301-206 | 492 | 333 | 1/2 |
| 5 | S301-312 | 461 | 329 | 1/2 |
| 6 | S301-313 | 461 | 311 | 1/2 |
| 7 | S301-405 | 461 | 61 | 1/2 |
| 8 | S301-910 | 434 | 305 | 1/2 |
| 9 | S301-911 | 348 | 485 | 1/2 |
| 10 | ZS3-5565 | 412 | 100 | 1/2 |
| 11 | ZS4-509 | 300 | 100 | 1/2 |
| 12 | ZS4-510 | 300 | 100 | 1/2 |



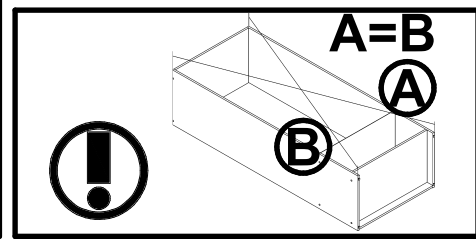
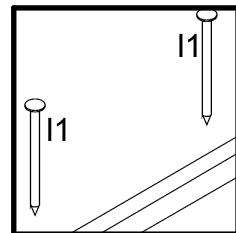
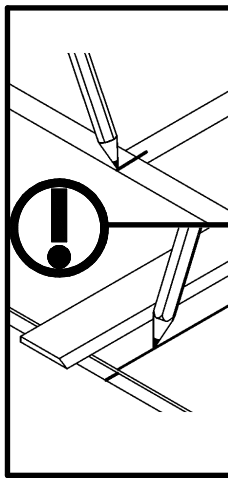
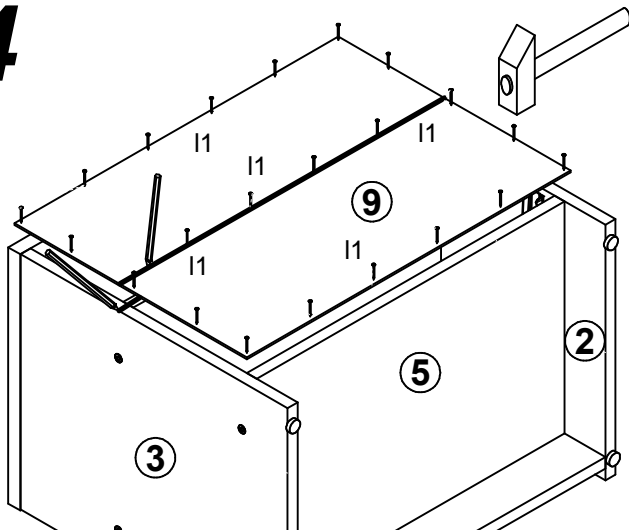
2 



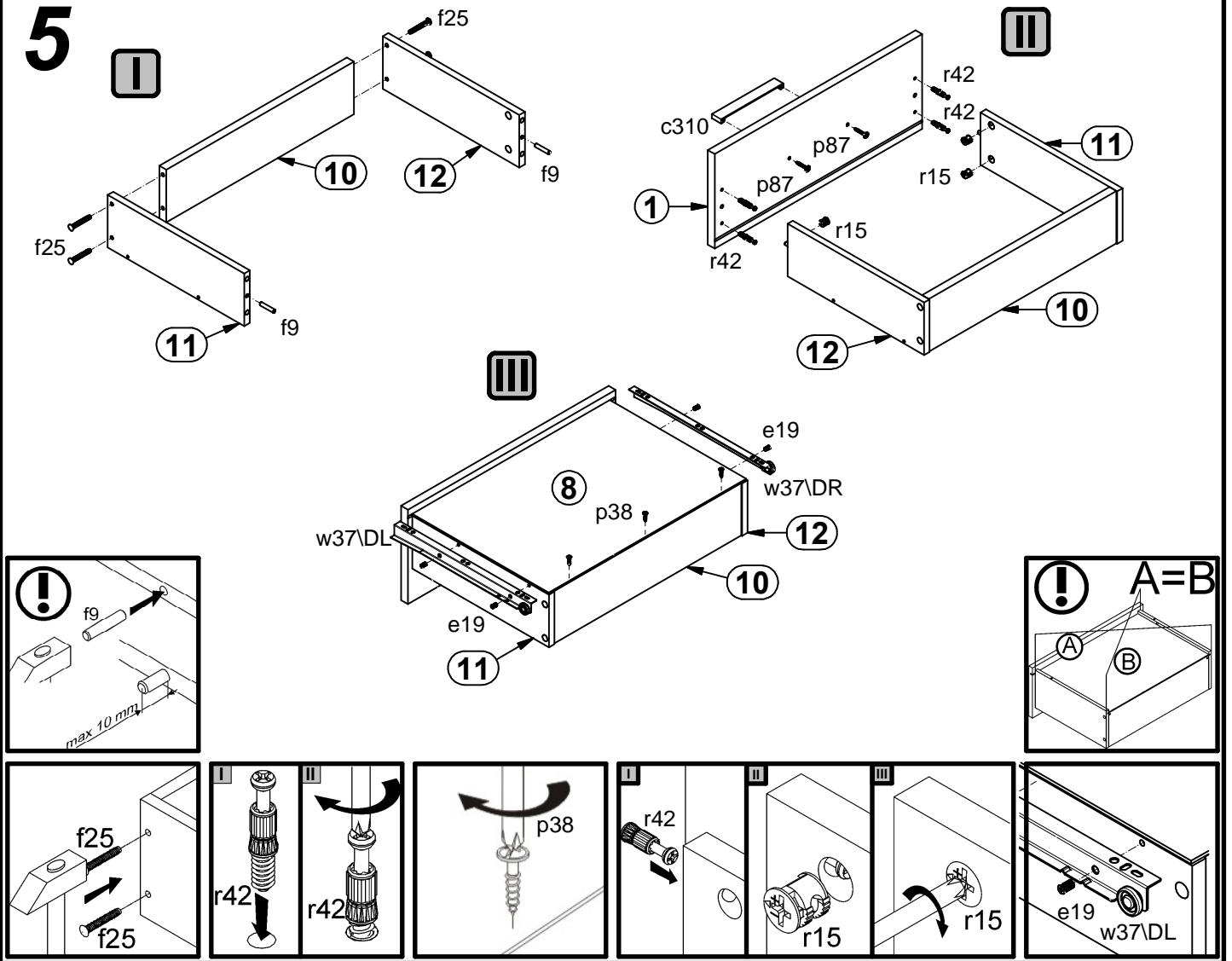
3



4



5



6

