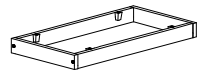


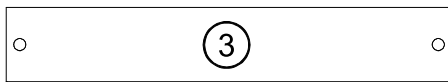


ASSISTANT
AS-031-00
 570*295*49

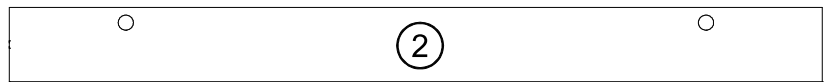


A 4x	B 4x	C 4x	D 8x	E 4x

0h 15min		4	≤ 0,5 kg	5,5 x 125	

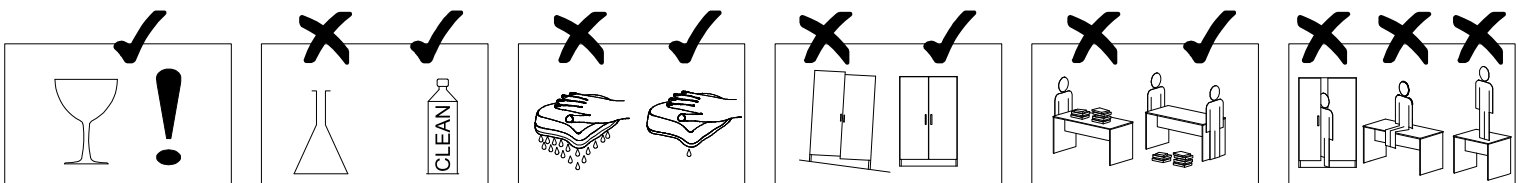
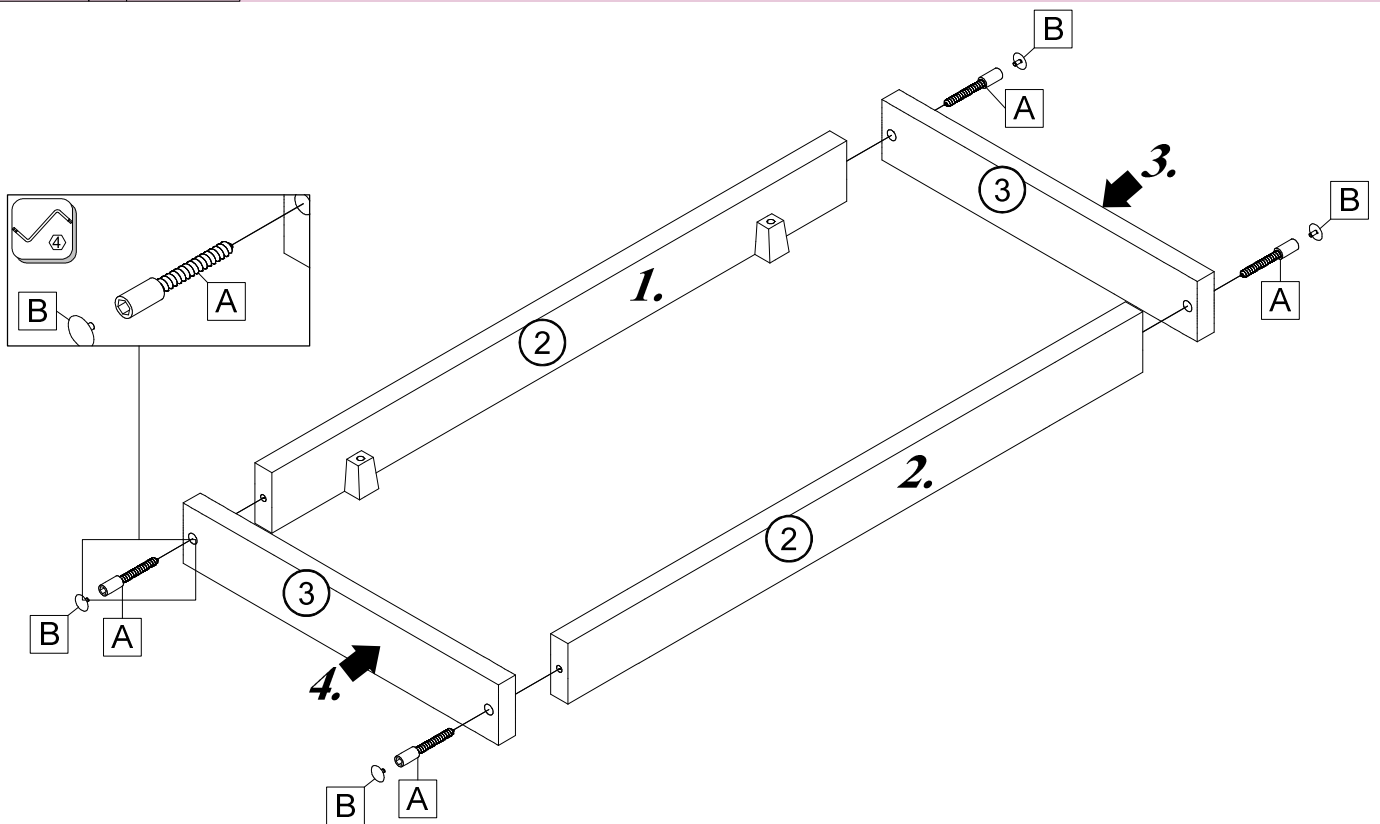




295*49*16 6 2x

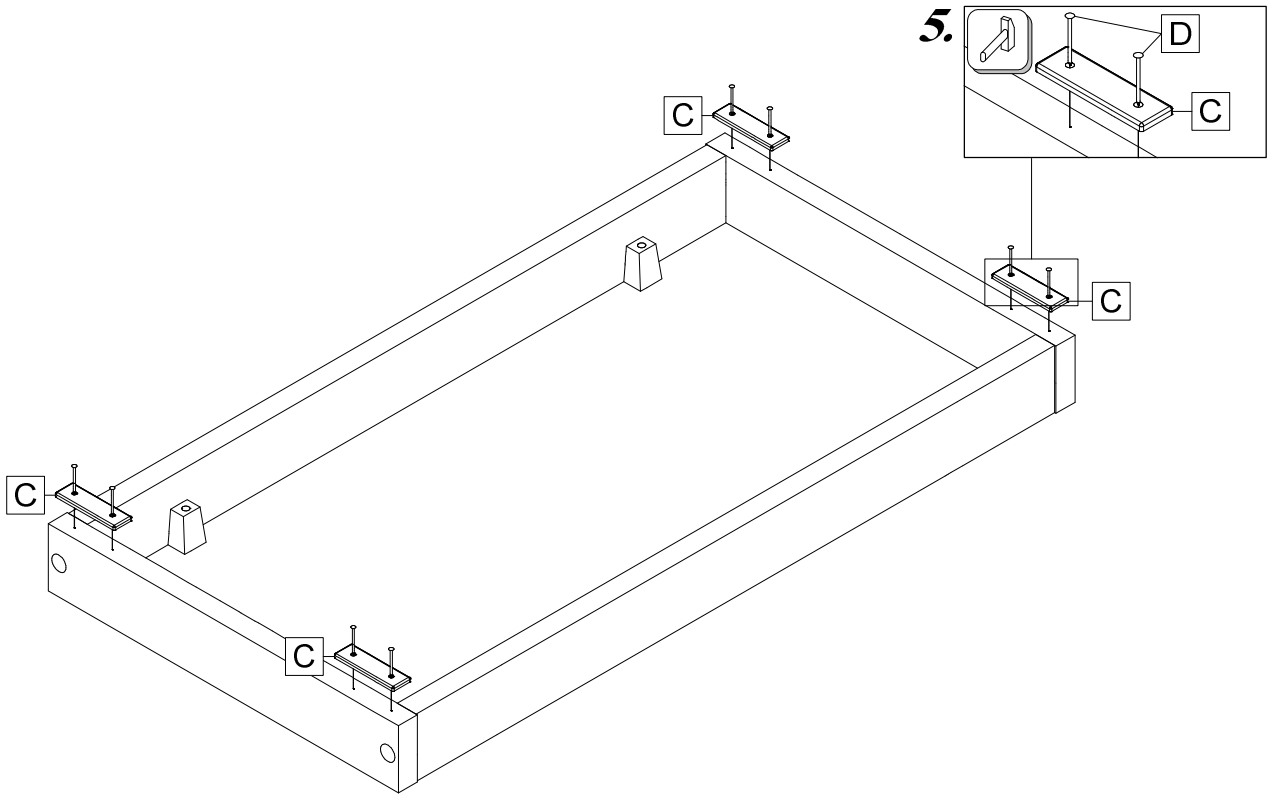



538*49*16 6 2x

A 4x	B 4x



			Ř1,6x20
C	4x	D	8x



	
E	4x

