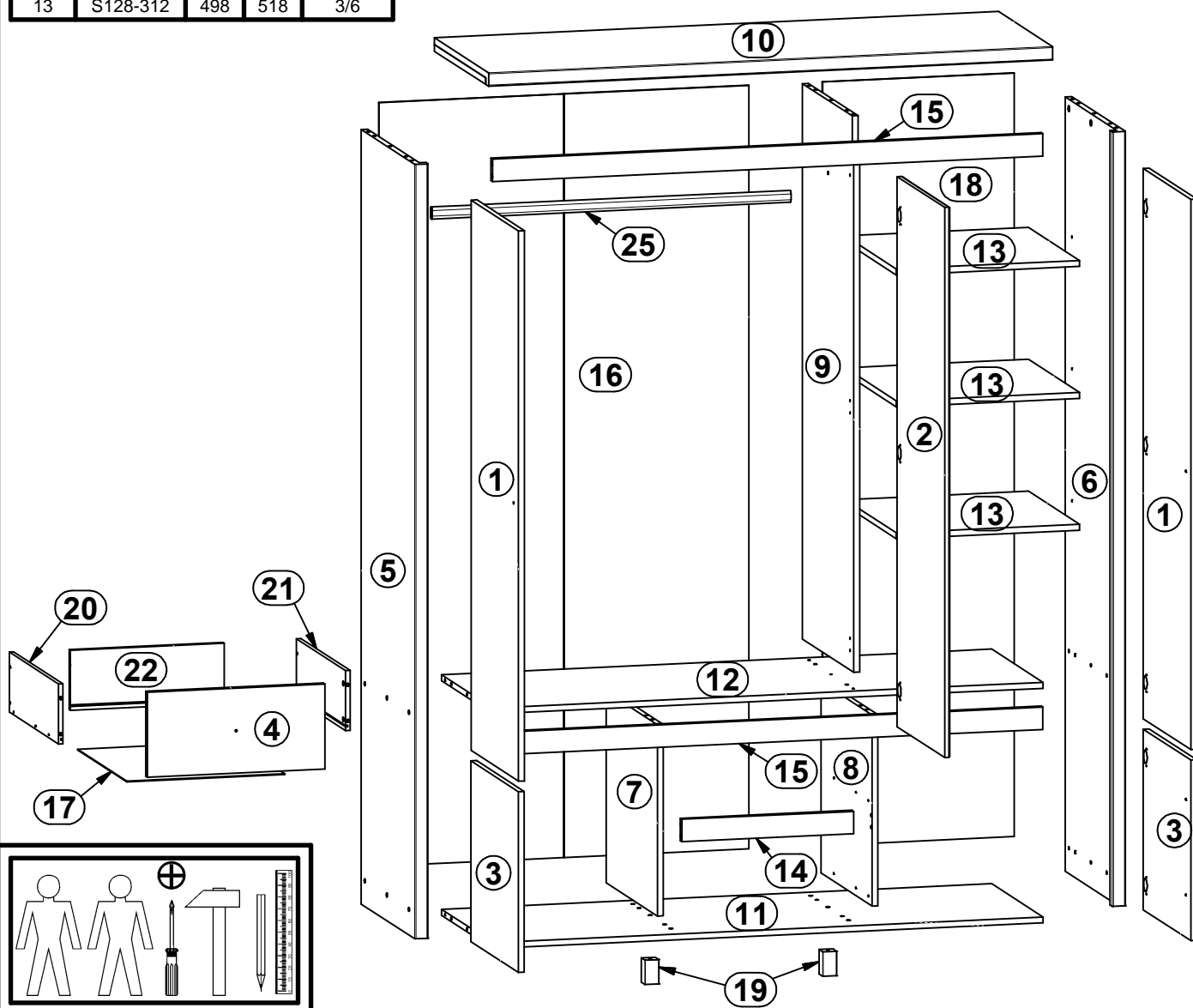
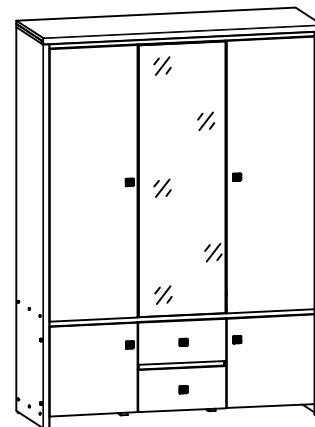


# KASPIAN

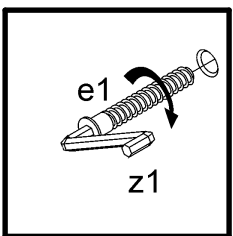
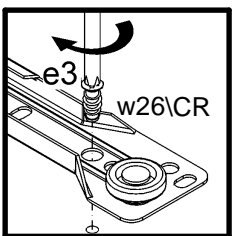
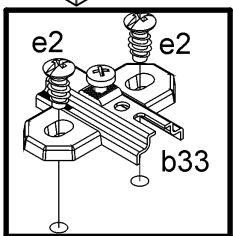
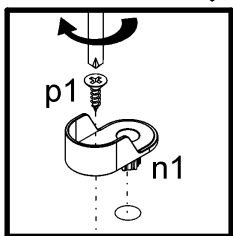
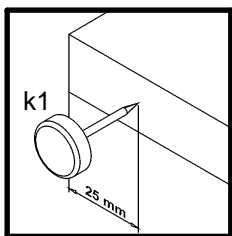
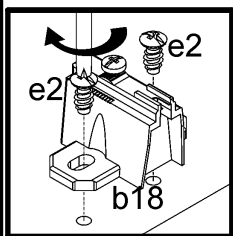
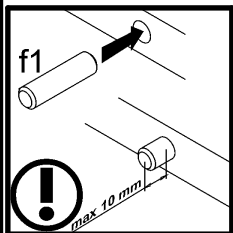
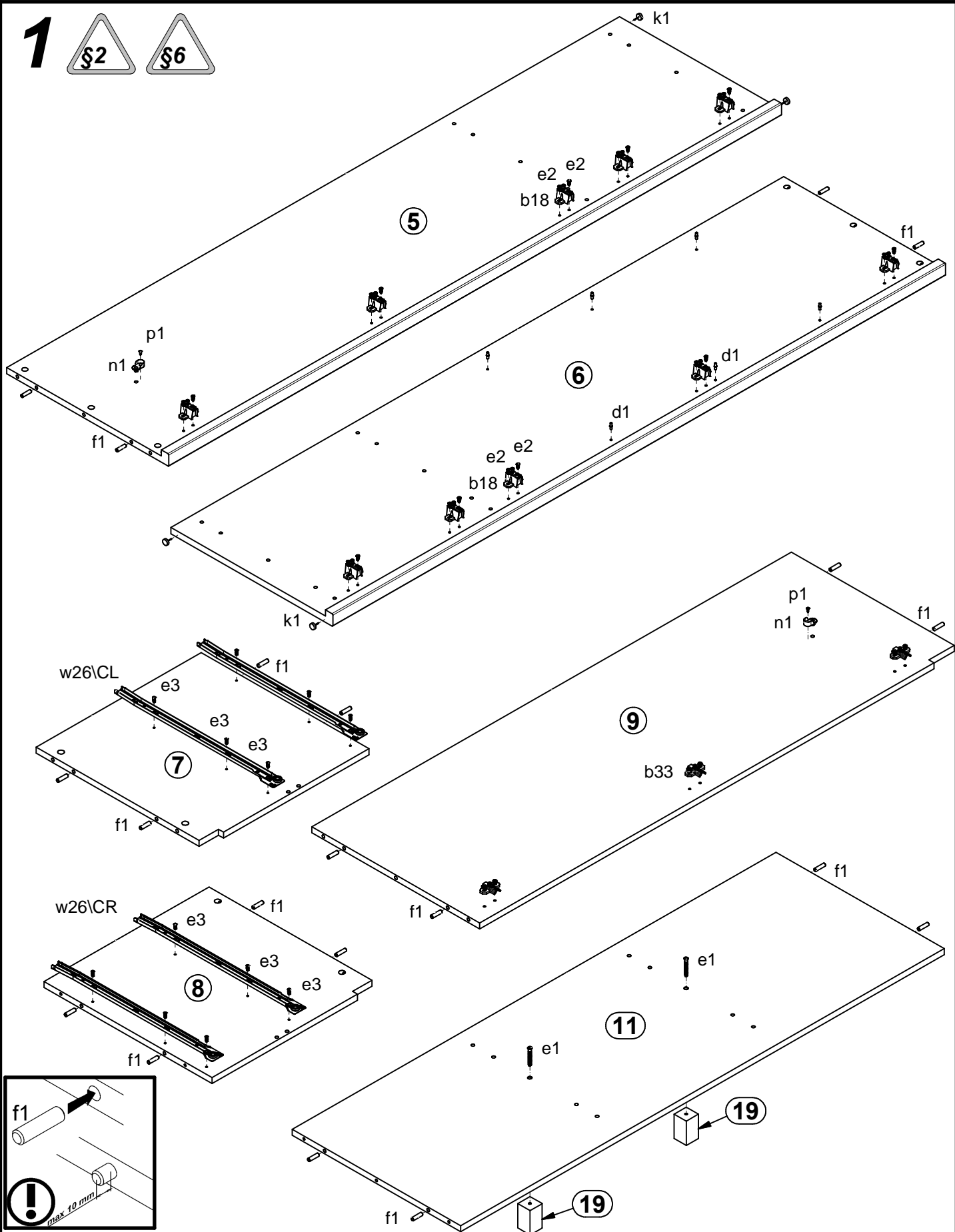
# S128-SZF5D2S\_FR2

A	B	C		D	A	B	C		D
1	S128-031	1468	482	5/6	14	S128-404	467	60	2/6
2	S128-032	1468	482	5/6	15	S128-407	1495	60	2/6
3	S128-033	482	482	6/6	16	S128-912	2037	1005	1/6
4	S128-034	482	227	4/6	17	S128-913	429	498	2/6
5	S128-117	2066	546	1/6	18	S128-914	2037	521	1/6
6	S128-118	2066	546	1/6	19	ZN1-501	65	38	2/6
7	S128-119	510	519	3/6	20	ZS2-519	500	160	3/6
8	S128-120	510	519	3/6	21	ZS2-520	500	160	3/6
9	S128-121	1482	519	2/6	22	ZS2-5522	418	160	3/6
10	S128-207	1532	549	2/6	25	dr-975	975	30	2/6
11	S128-310	1495	520	2/6					
12	S128-311	1495	520	2/6					
13	S128-312	498	518	3/6					

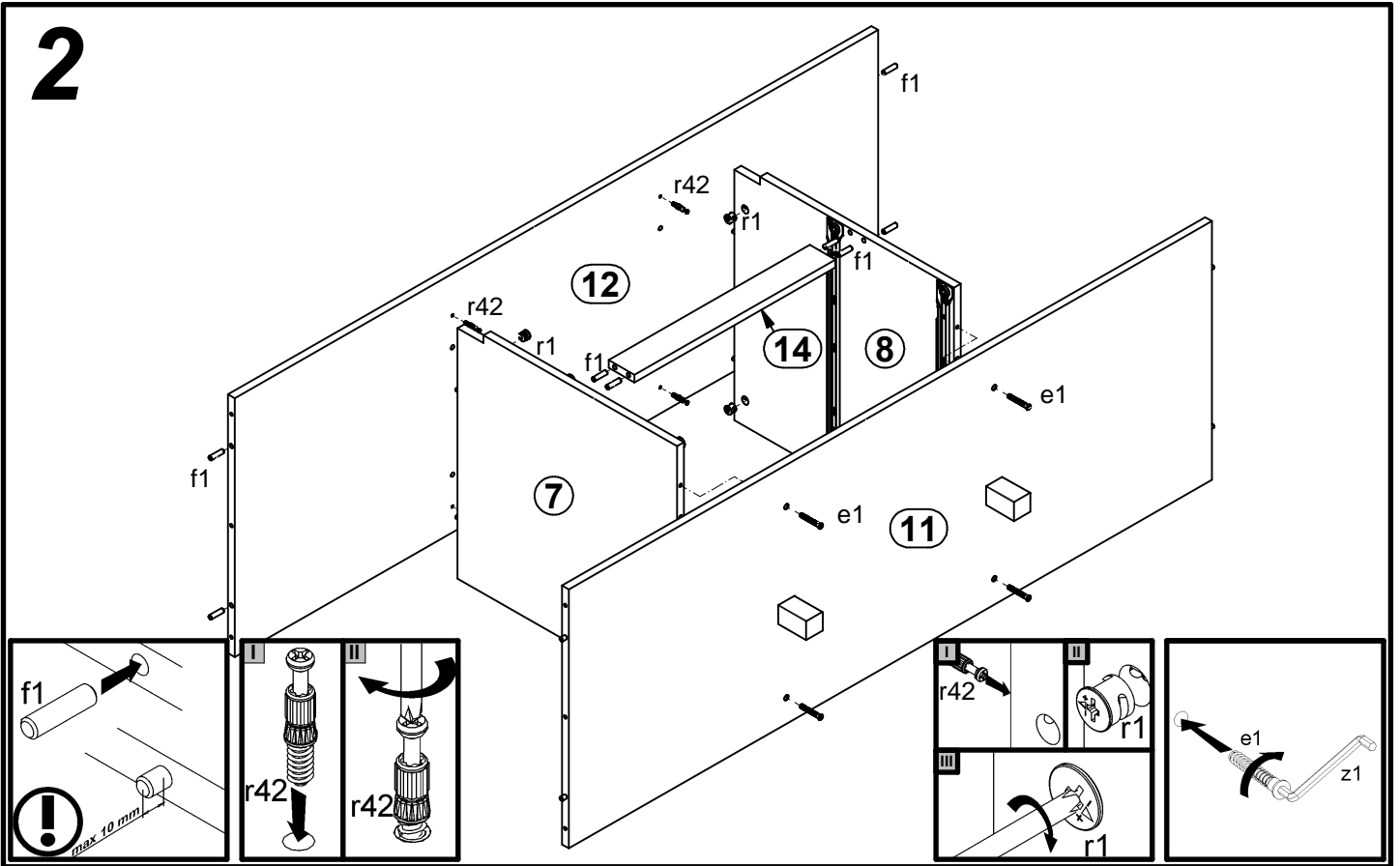


10x  a43	3x  a68	10x  b18	3x  b33	12x  d1 φ5x17 mm	18x  e1 φ7x50 mm	12x  e19 φ5x9 mm	26x  e2 φ6,3x13 mm	12x  e3 φ6x13 mm
36x  f1 φ8x30 mm	8x  f25 φ6,5x40 mm	4x  k1	125  l1	2x  n1	2x  p1 φ3,5x13 mm	26x  p51 φ3,5x15 mm	16x  r1 φ12x10,5mm #16	8x  r15 φ12x10,5mm #12
24x  r42	2x  w26\CL 500 mm	2x  w26\CR 500 mm	2x  w26\DL 500 mm	2x  w26\DR 500 mm	12x  s1	12x  s2 ø16	1x  z1	1x  n26\1
1x  p38 φ3,5x16 mm	6x  j30 M4x22 mm	6x  c370						

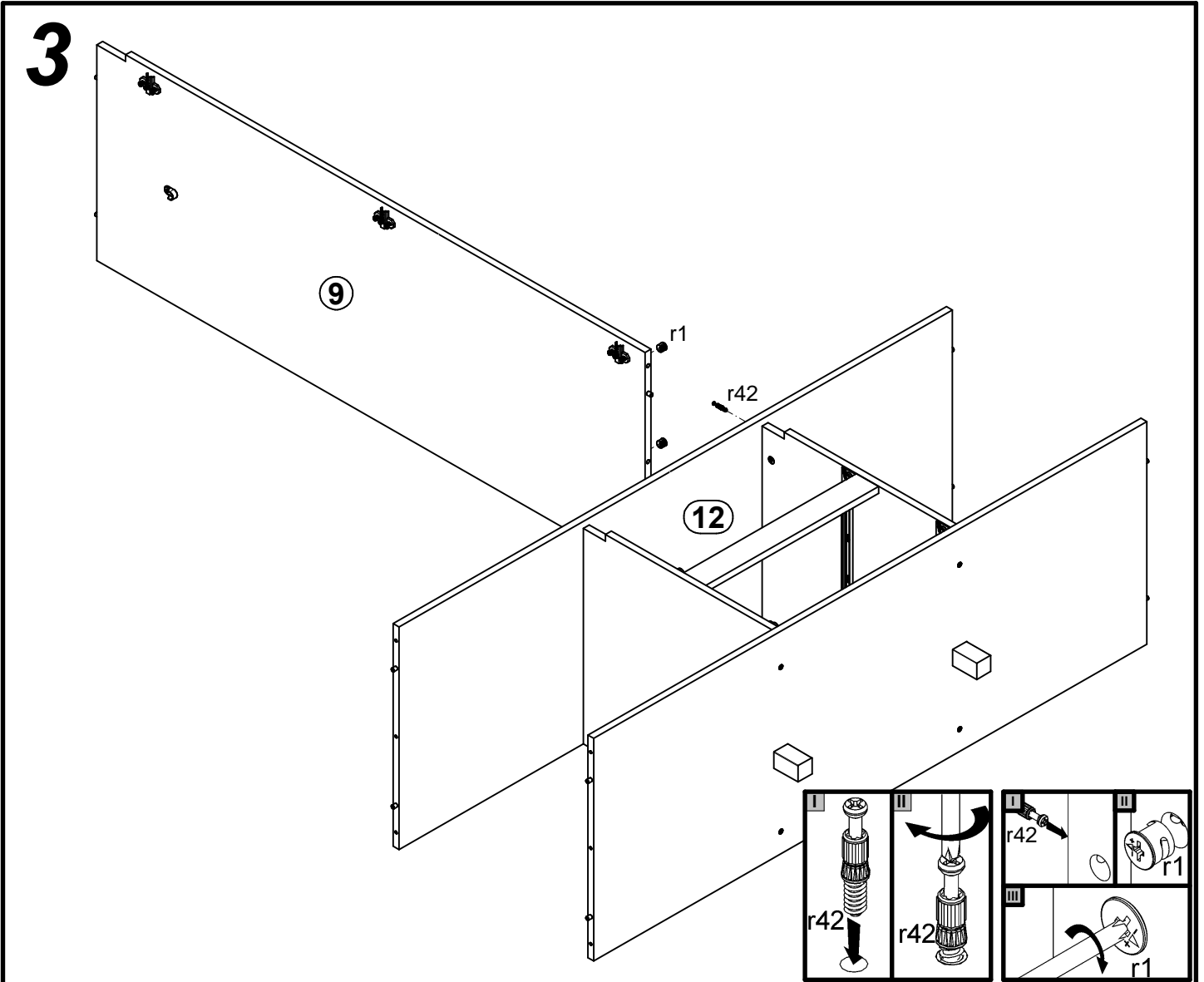
# 1



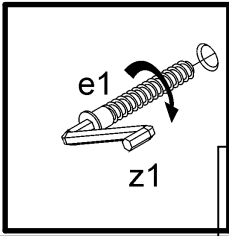
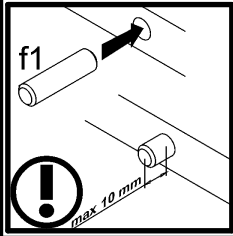
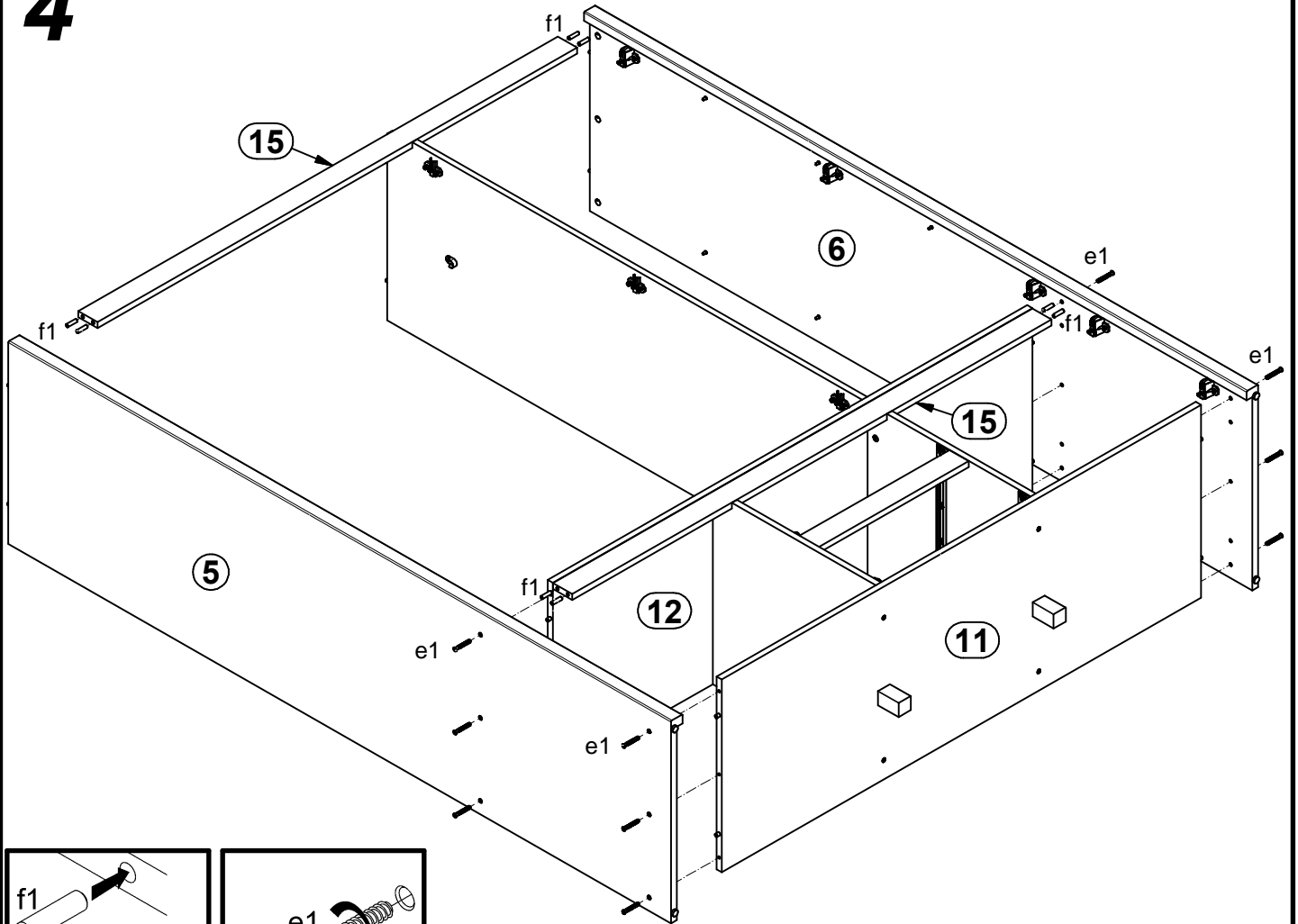
# 2



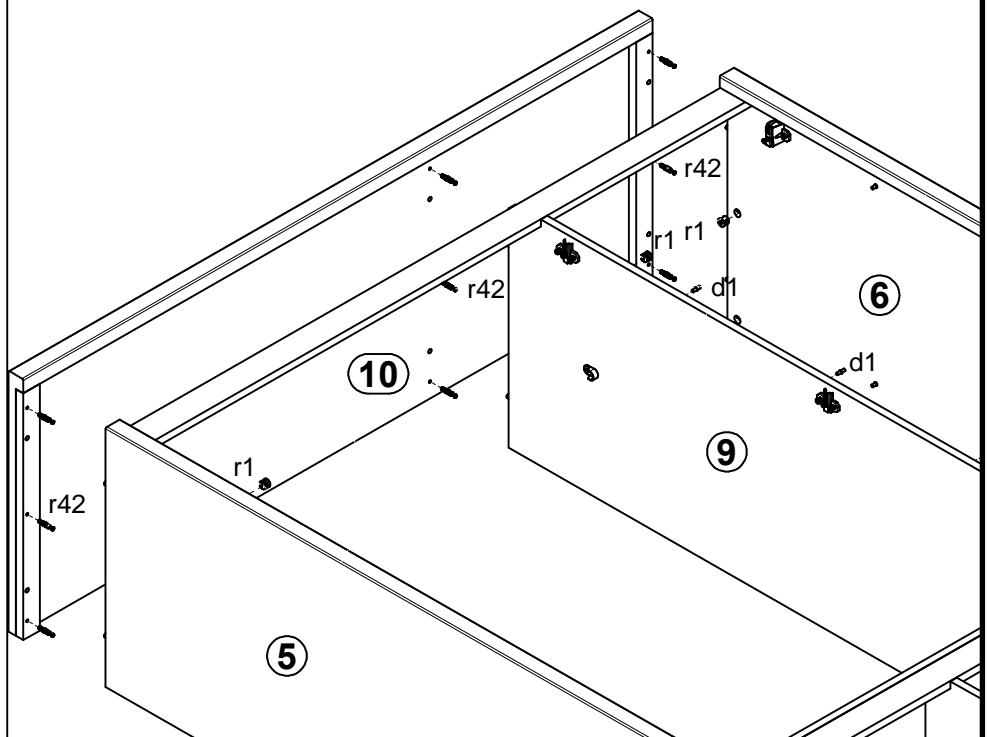
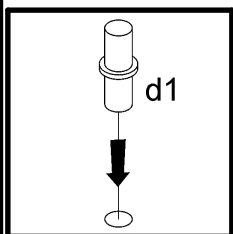
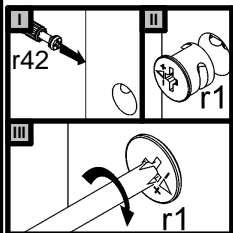
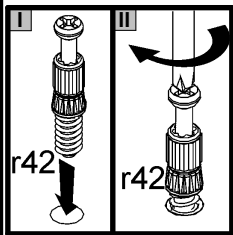
# 3



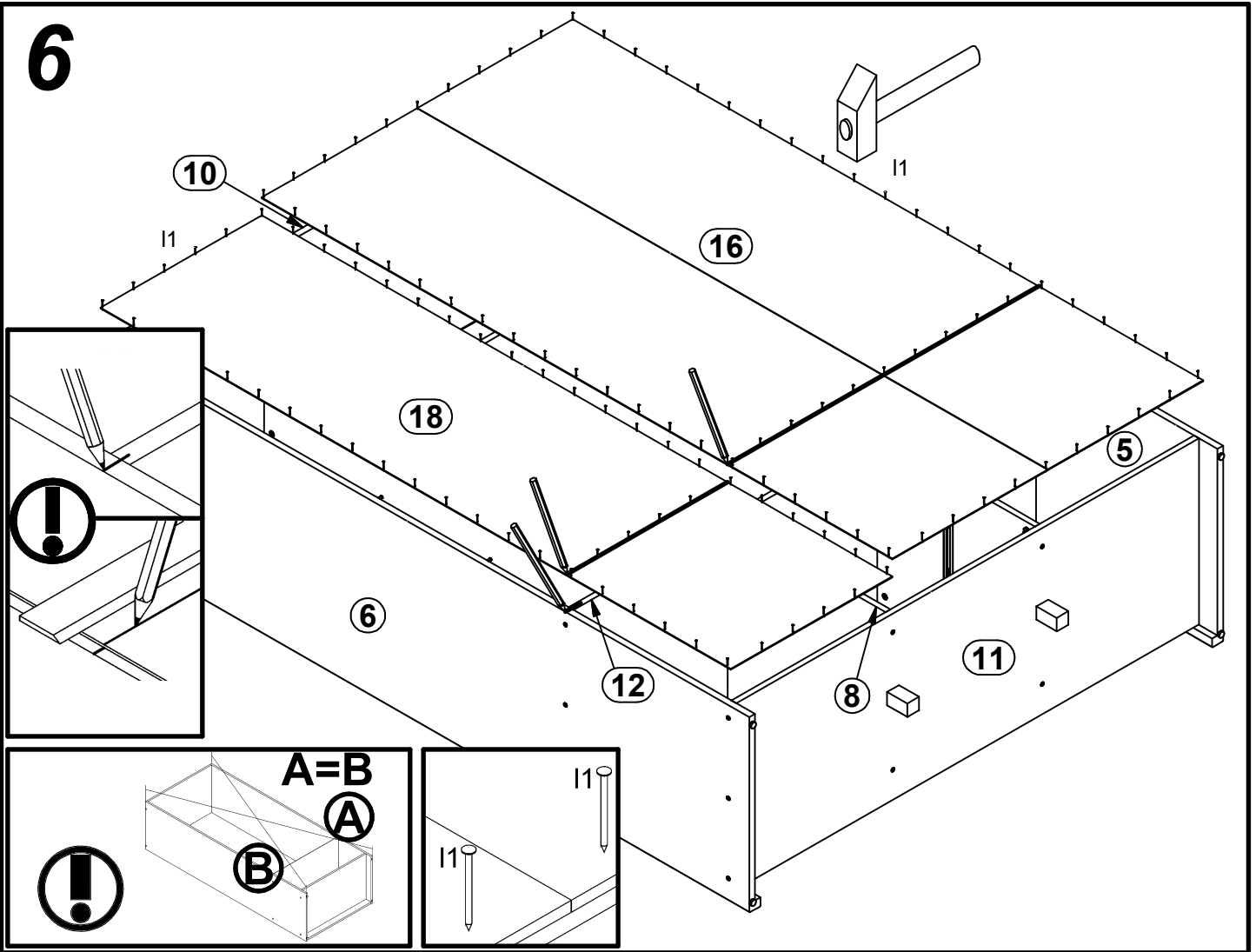
# 4



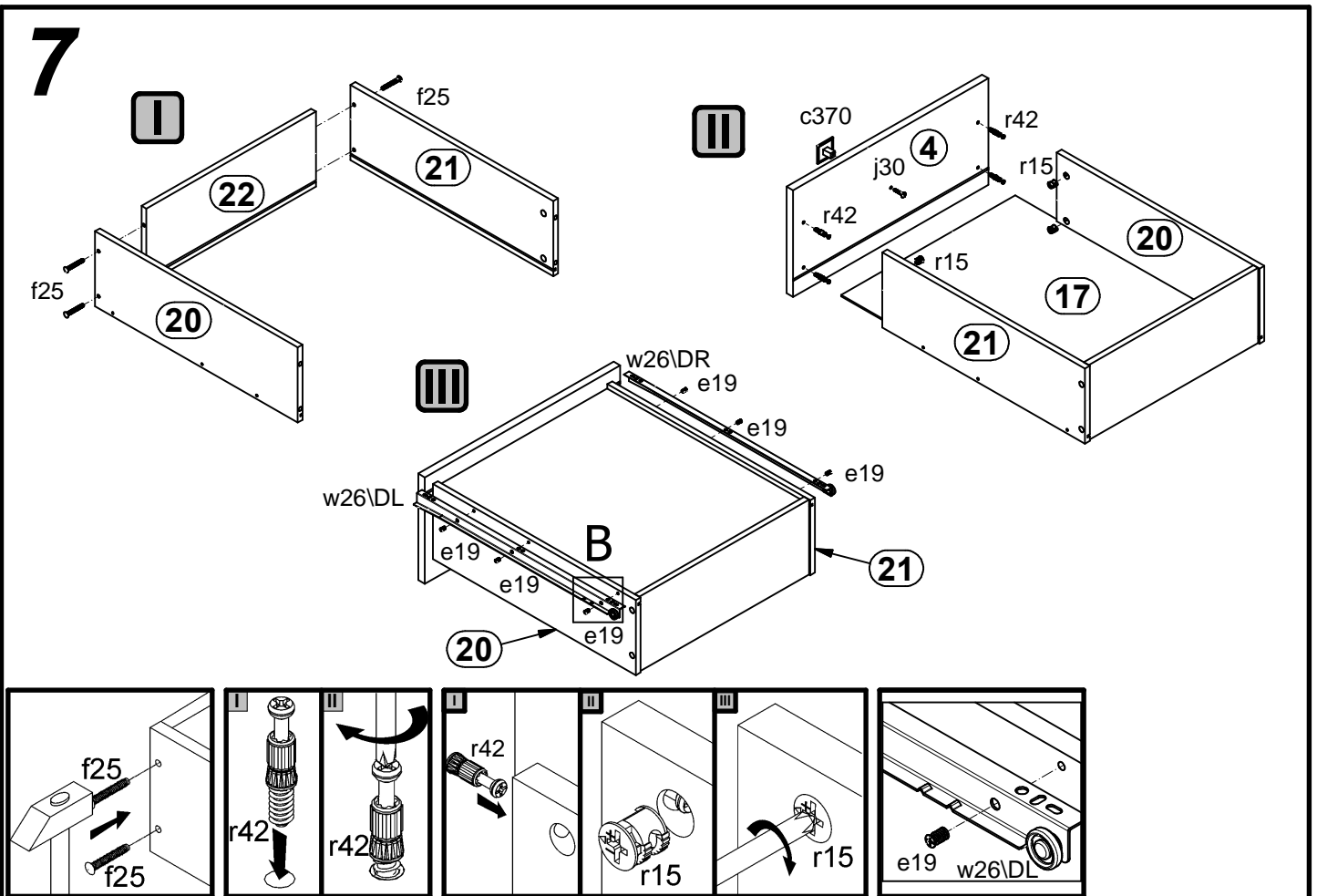
# 5



# 6



# 7



8



n26v1



p38

