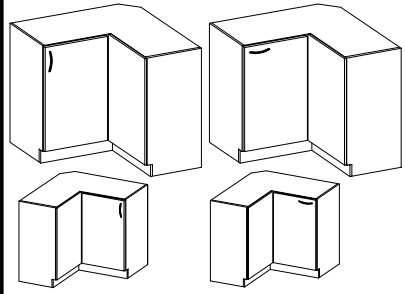


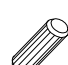

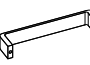





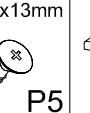

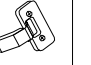



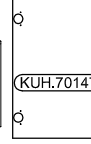
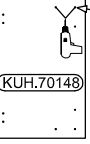
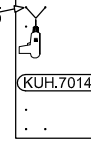
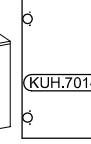
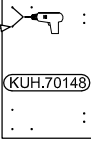
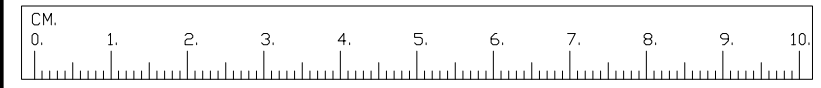
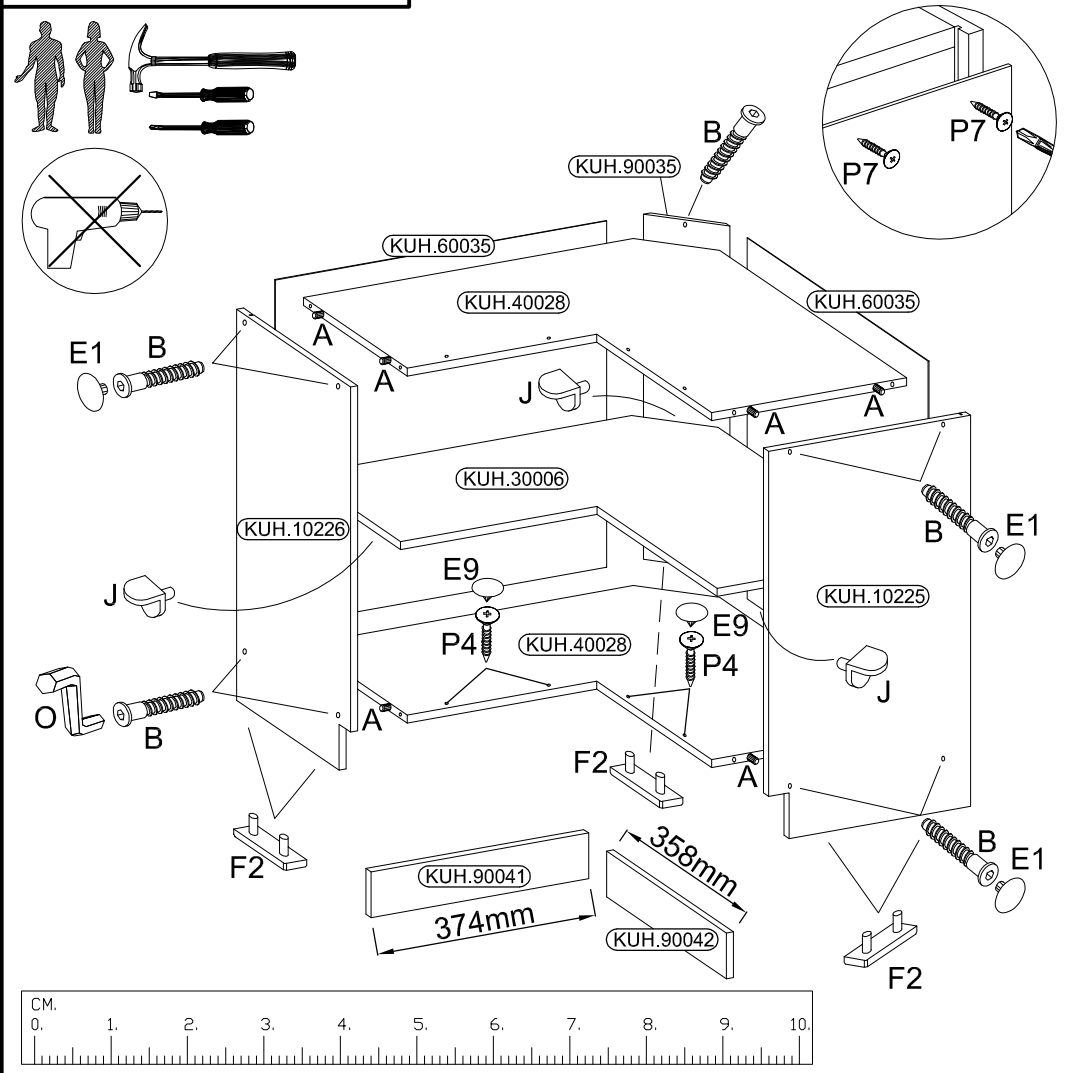
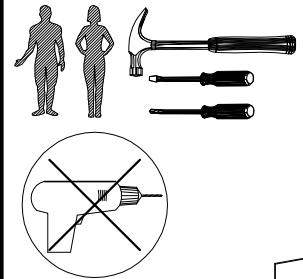


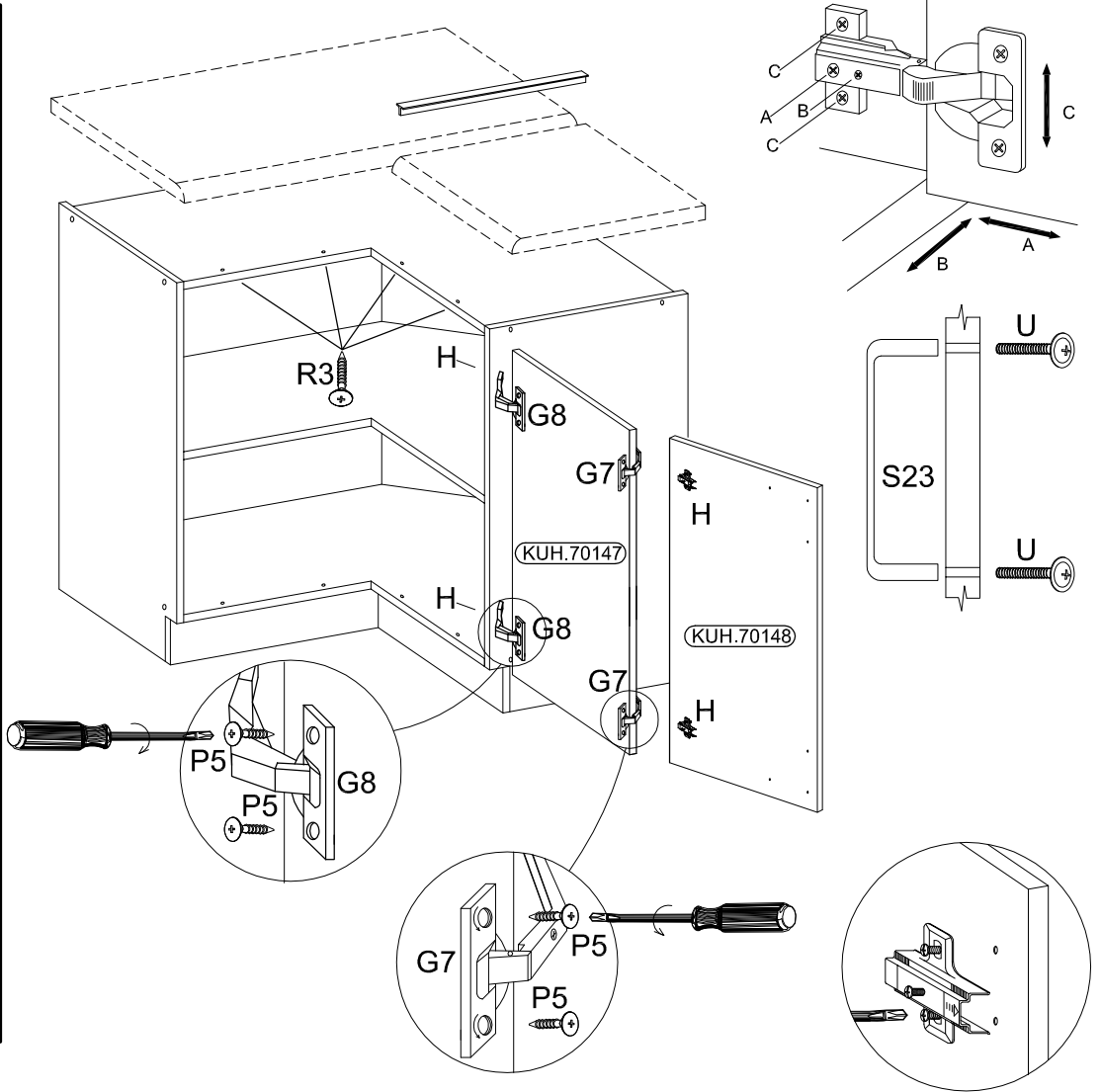
89x89 ND 2F BB



 B 10	 E1 8	 A 8	 O 1	 S23 1	 U 2	 P7 15-20	 J 6	 R3 4	 H 4	 P5 8	 F2 5	 G7 2	 G8 2
 P4 4		 E9 4		 KUH.70147		 KUH.70148		 KUH.70149		 KUH.70147		 KUH.70148	



ISM-KUH-00365



89x89 ND 2F BB

