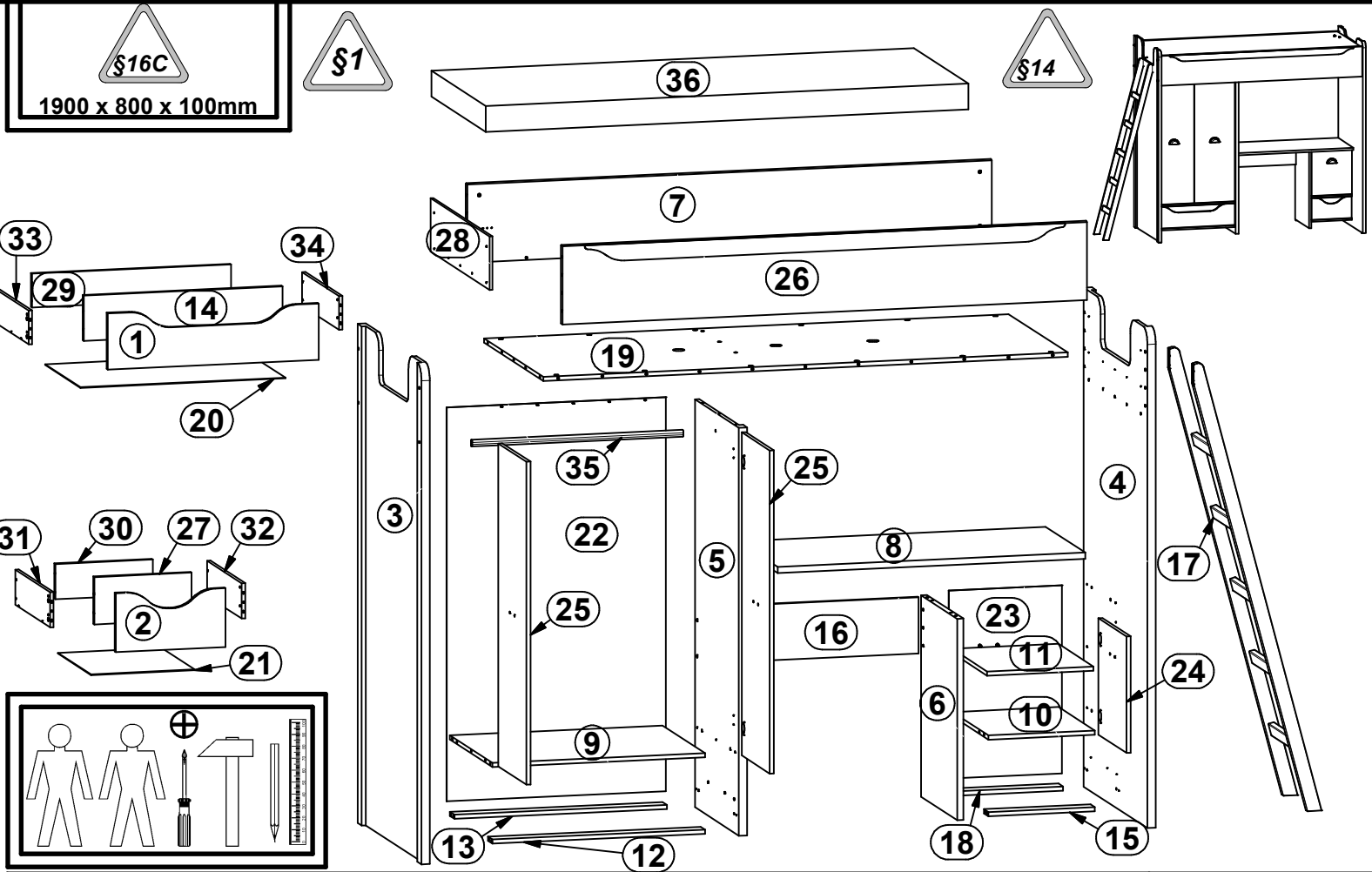


RUPI

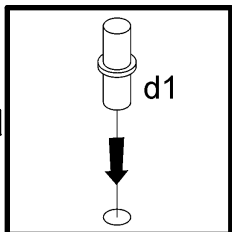
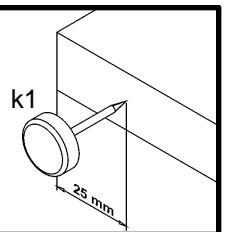
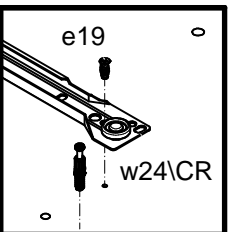
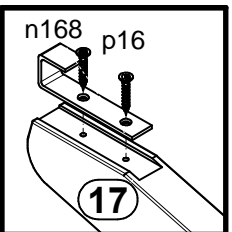
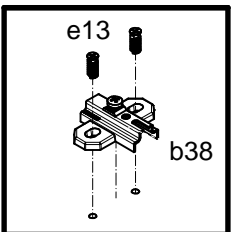
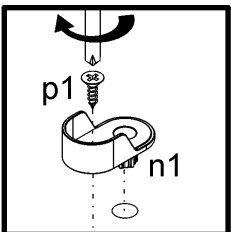
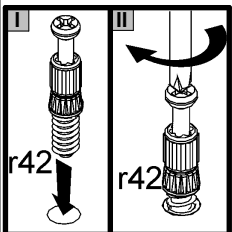
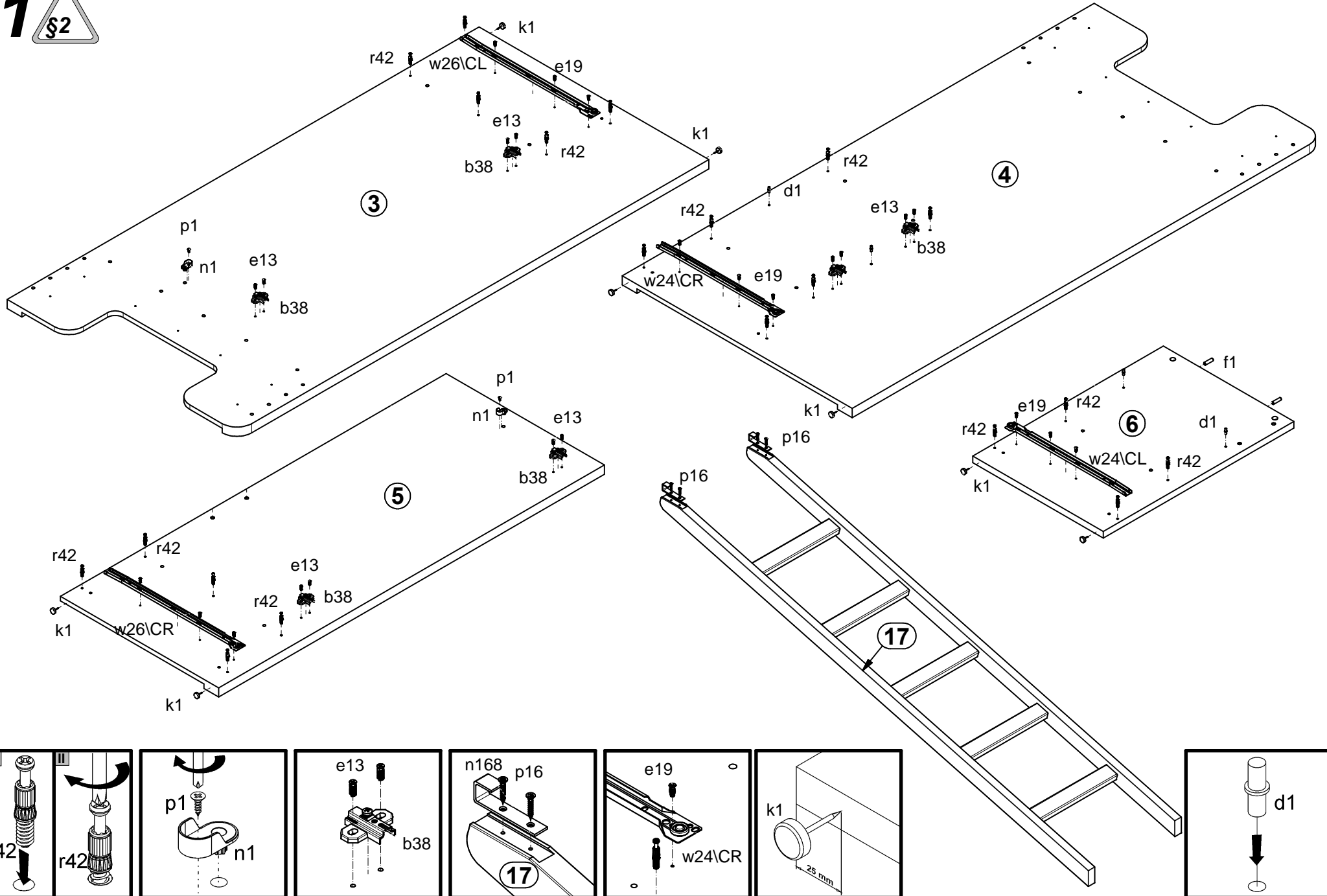
S303-ZES3D2S

A	B	C	D	
1	S193-002	764	200	8/8
2	S193-013	380	200	8/8
3	S193-124	1774	864	1/8
4	S193-125	1774	864	1/8
5	S193-126	1450	595	1/8
6	S193-127	716	491	3/8
7	S193-128	1900	280	2/8
8	S193-201	1115	538	3/8
9	S193-320	770	575	1/8
10	S193-321	386	490	3/8
11	S193-322	385	473	3/8
12	S193-401	770	60	3/8
13	S193-402	770	60	3/8
14	S303-403	721	161	4/8
15	S193-409	386	60	3/8
16	S193-415	707	200	3/8
17	S193-416	1672	350	5/8
18	S193-417	386	60	3/8
19	S193-718	1900	800	2/8
20	S193-905	743	480	2/8
21	S193-907	359	429	2/8
22	S193-912	1400	794	2/8
23	S193-913	668	410	2/8
24	S303-012	380	414	8/8
25	S303-016	1148	380	8/8
26	S303-101	1900	280	4/8
27	S303-401	337	161	4/8
28	S303-406	799	190	4/8
29	ZS3-5554	721	120	3/8
30	ZS3-5556	337	120	3/8
31	ZT5-503	450	120	3/8
32	ZT5-504	450	120	3/8
33	ZT5-505	500	120	3/8
34	ZT5-506	500	120	3/8
35	dr-765	765	22	3/8
36	materac	1900	800	7/8

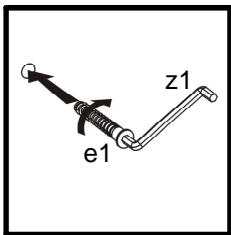
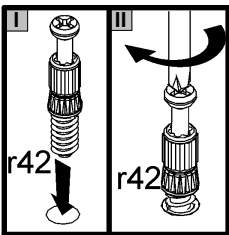
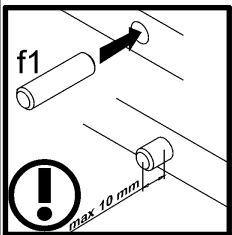
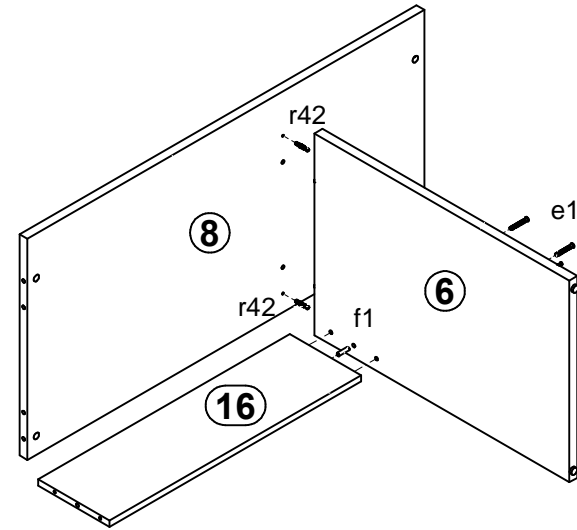
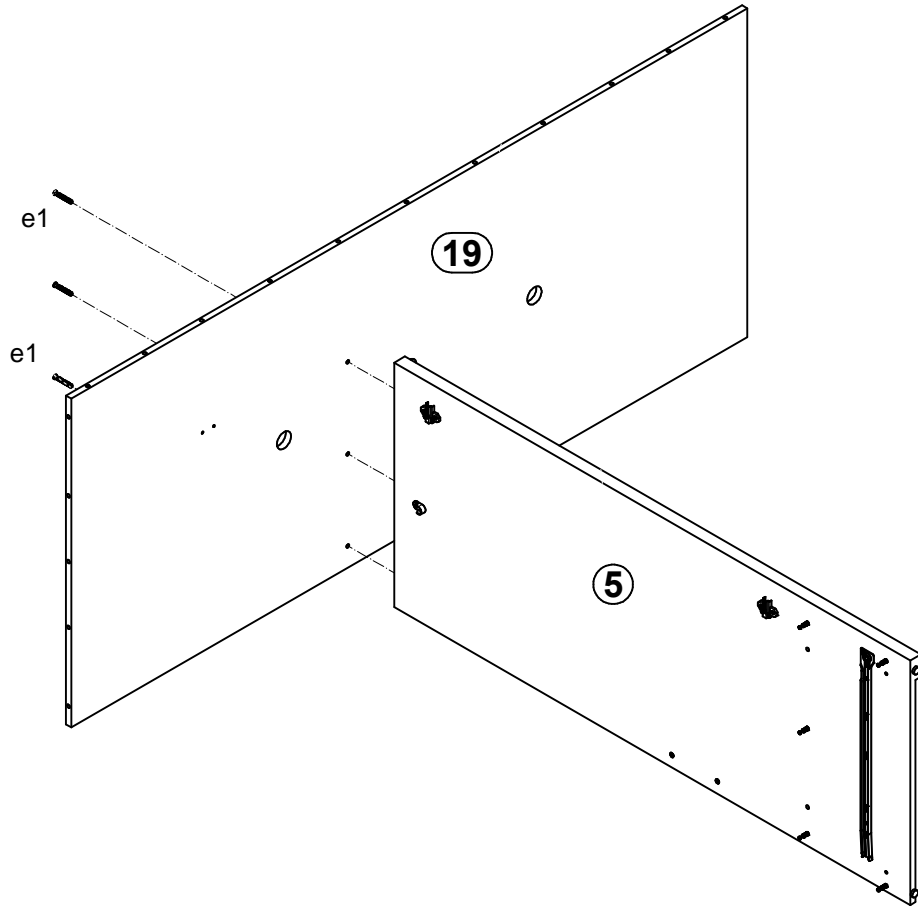


6x a43	6x b38	3x c363	4x Ø5x17 mm d1	2x Ø6,3x15 mm d4	7x Ø7x50 mm e1	12x Ø5,5x13 mm e13	22x Ø5x9 mm e19	2x n168	44x Ø8x30 mm f1
16x Ø6,5x40 mm f25	12x Ø6x30 mm f9	8x M6x84 mm j117	8x k1	80x l1	2x n1	2x Ø3,5x13 mm p1	6x Ø4x16 mm p129	4x Ø3,5x25 mm p16	22x Ø3,5x16 mm p38
12x Ø3,5x15 mm p51	7x Ø4x22 mm p56	36x Ø15x12 mm #16 r1	8x Ø12x10,5 mm #12 r15	1x GLUE y3	44x r42	8x Ø10x16 mm r43	3x s5	1x 450 mm w24\CL	1x 450 mm w24\CR
1x 450 mm w24\DL	1x 450 mm w24\DR	1x 500 mm w26\CL	1x 500 mm w26\CR	1x 500 mm w26\DL	1x 500 mm w26\DR	1x z1	4x s1	12x Ø16 s2	2x Ø15 s51

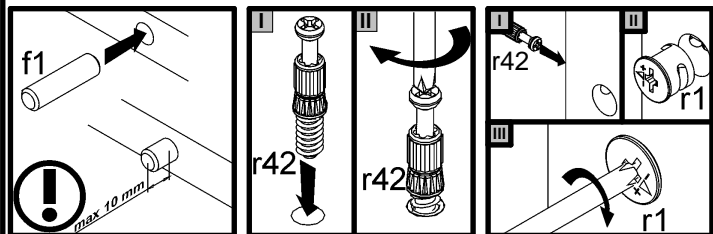
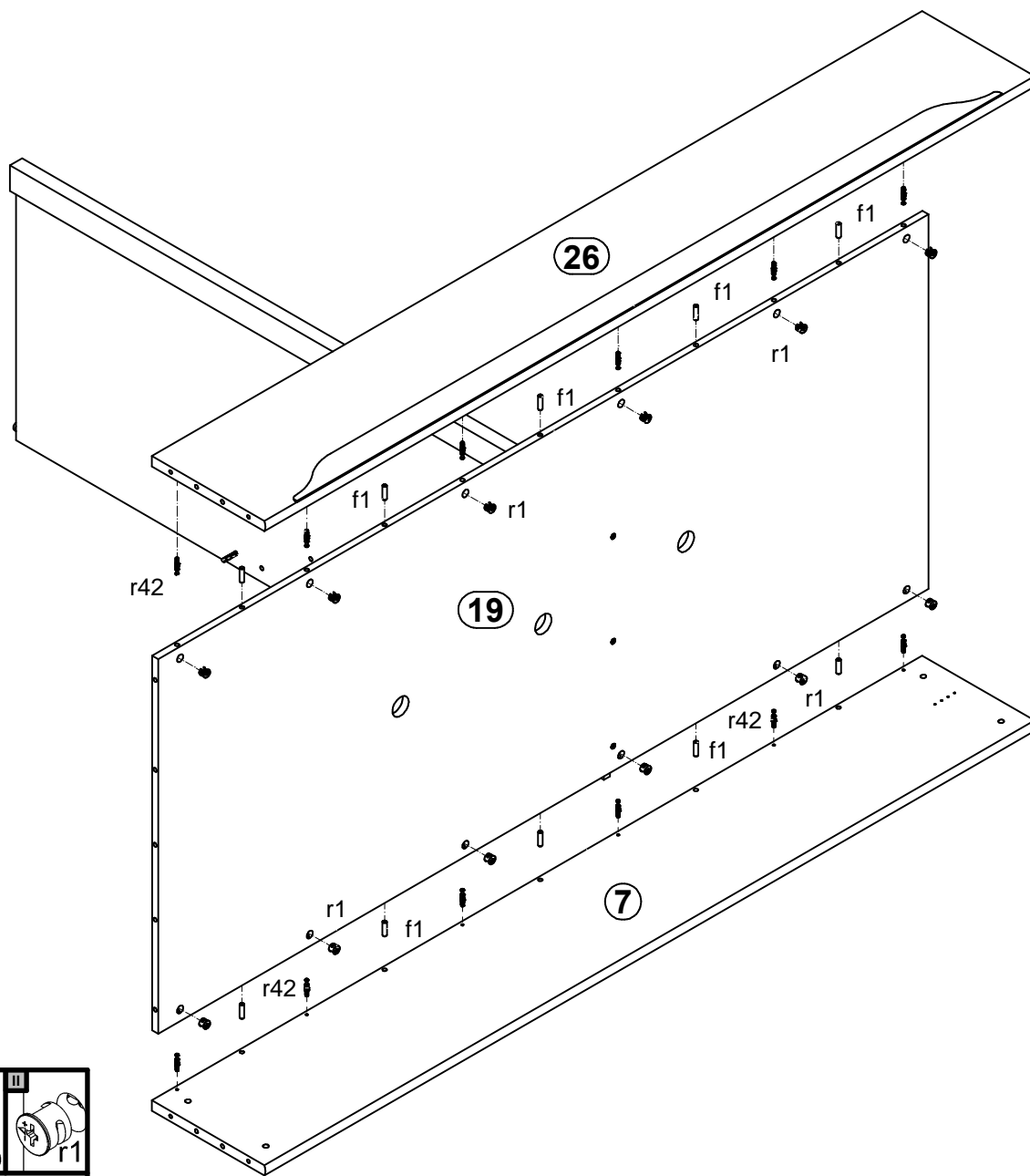
1 



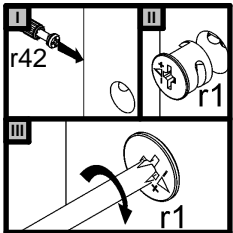
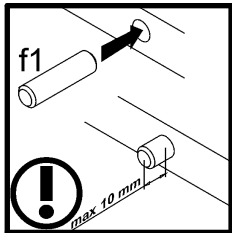
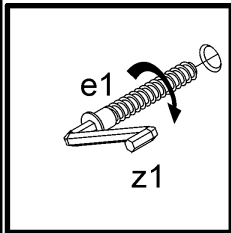
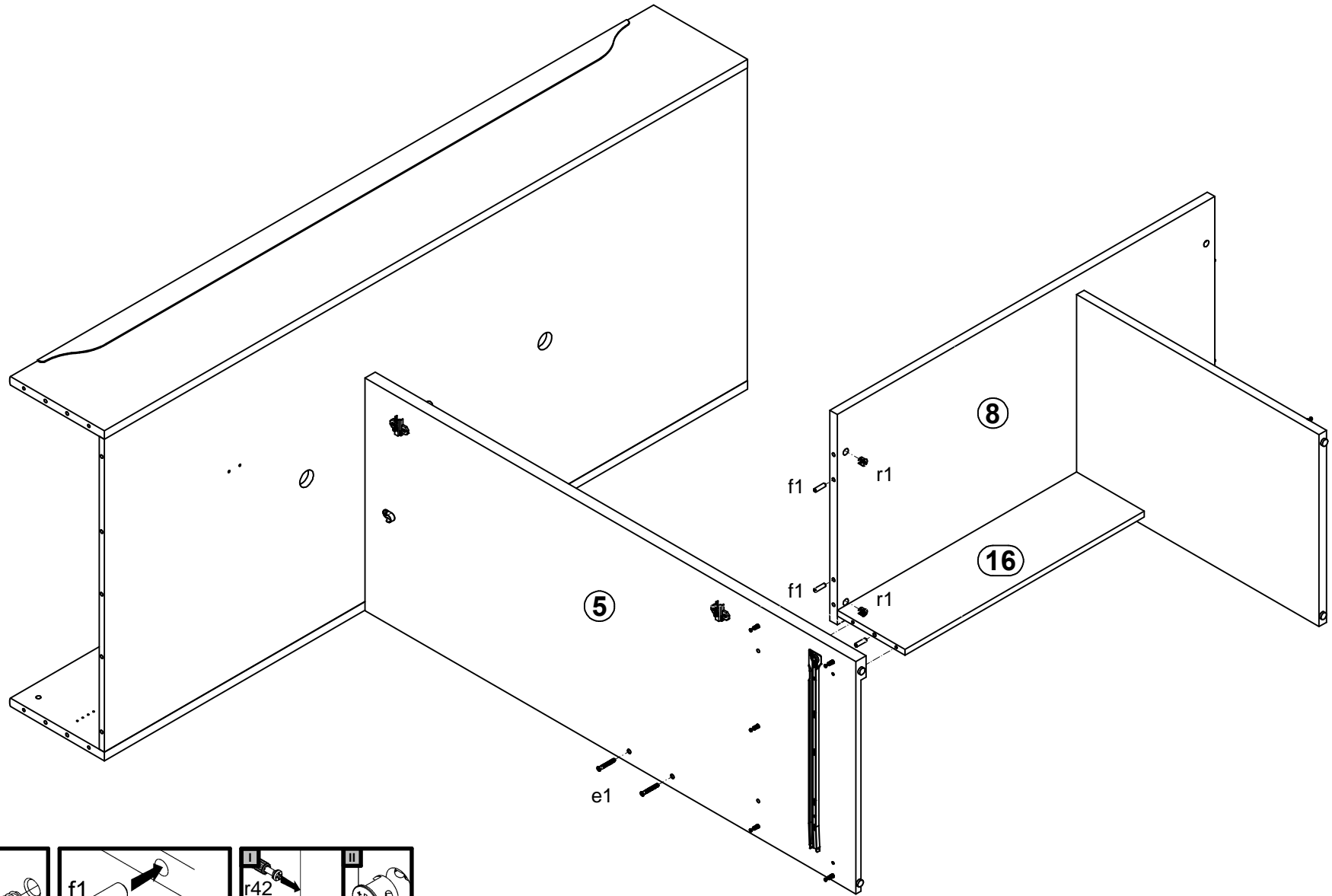
2 



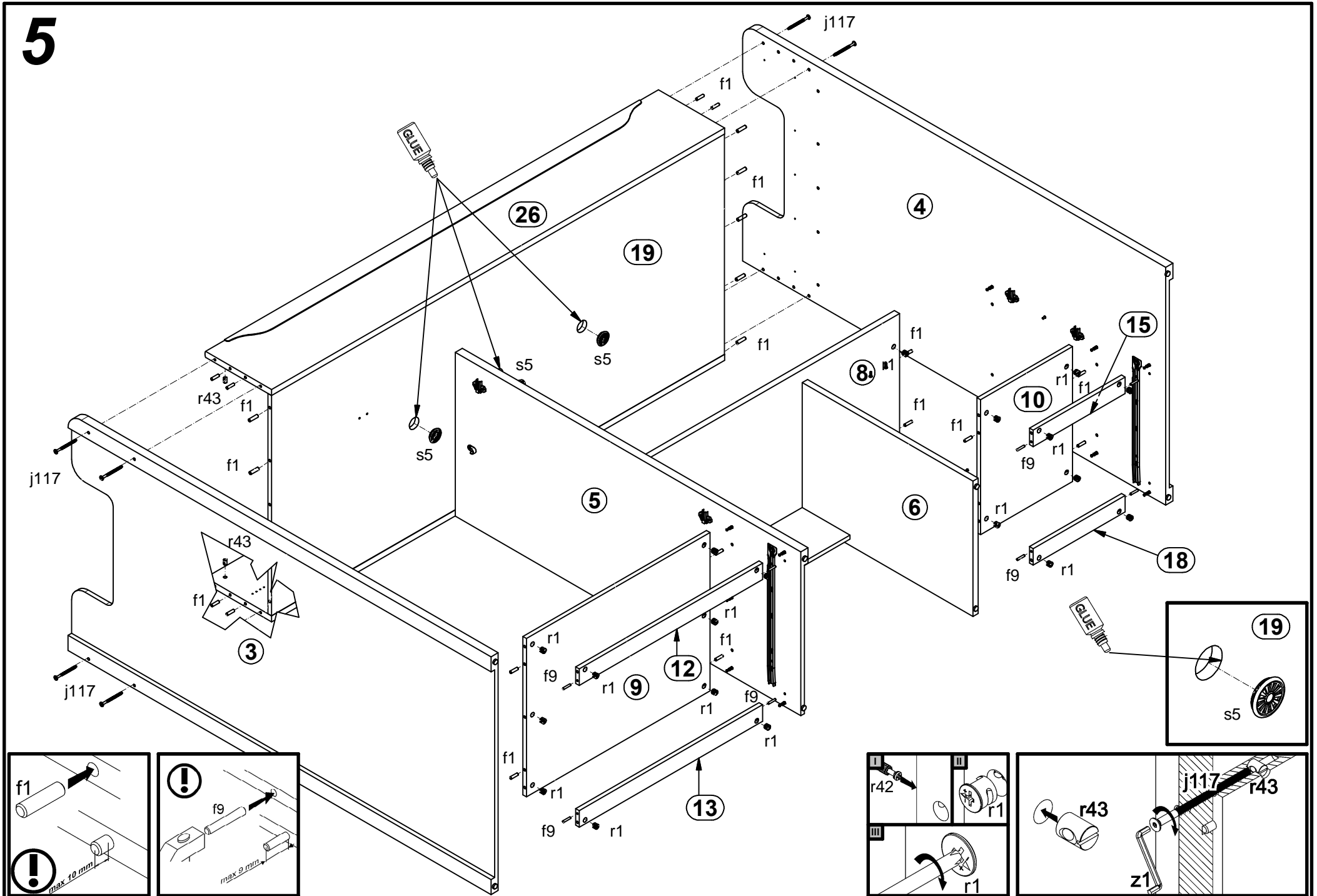
3



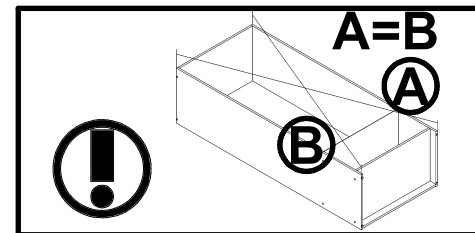
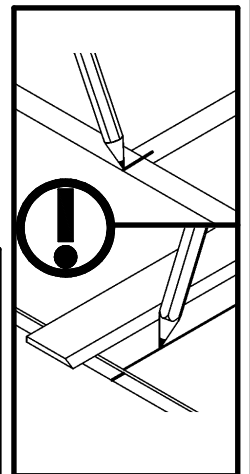
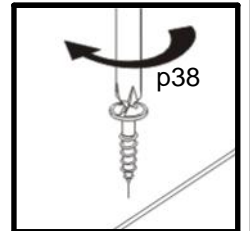
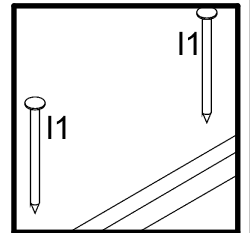
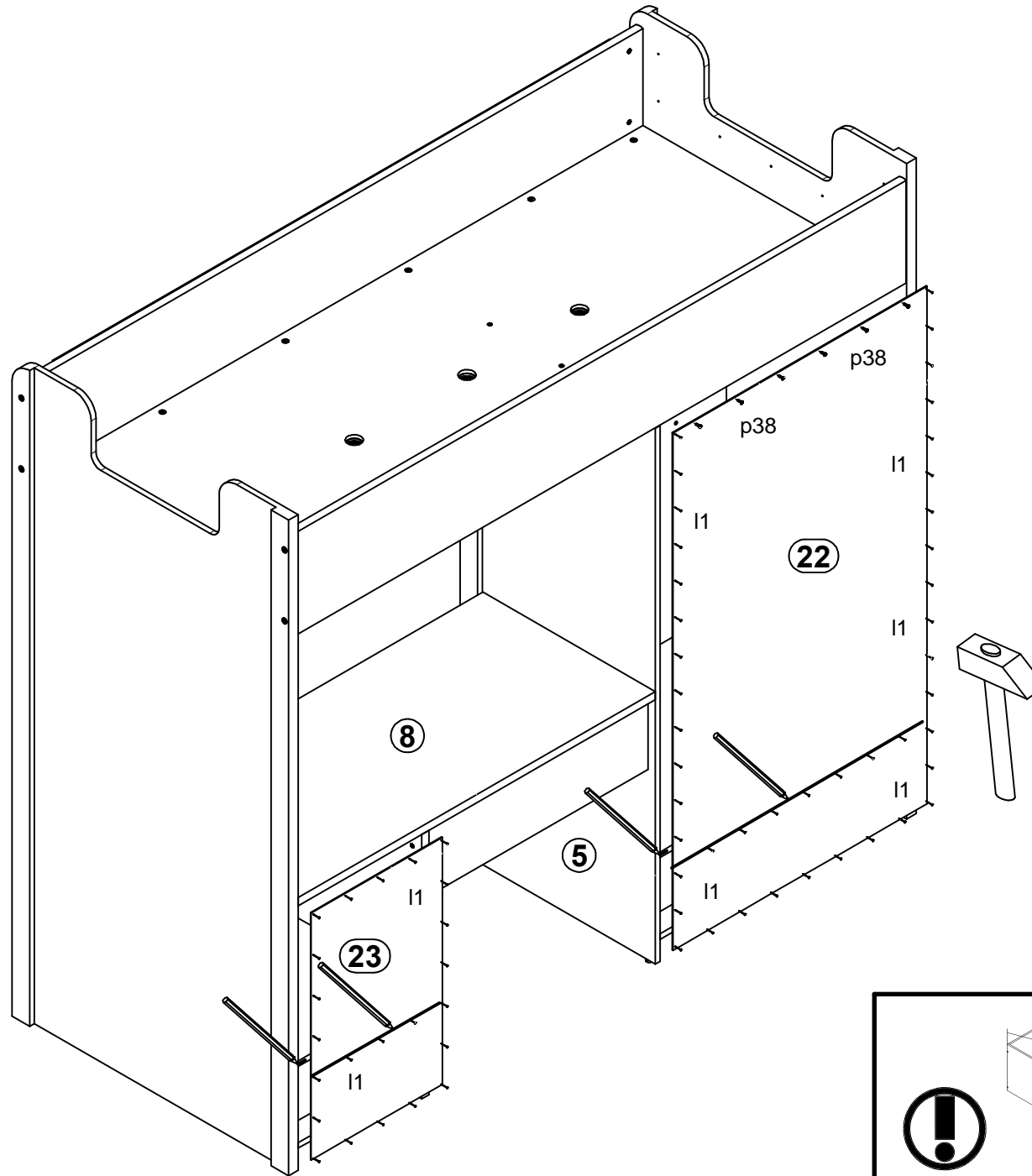
4



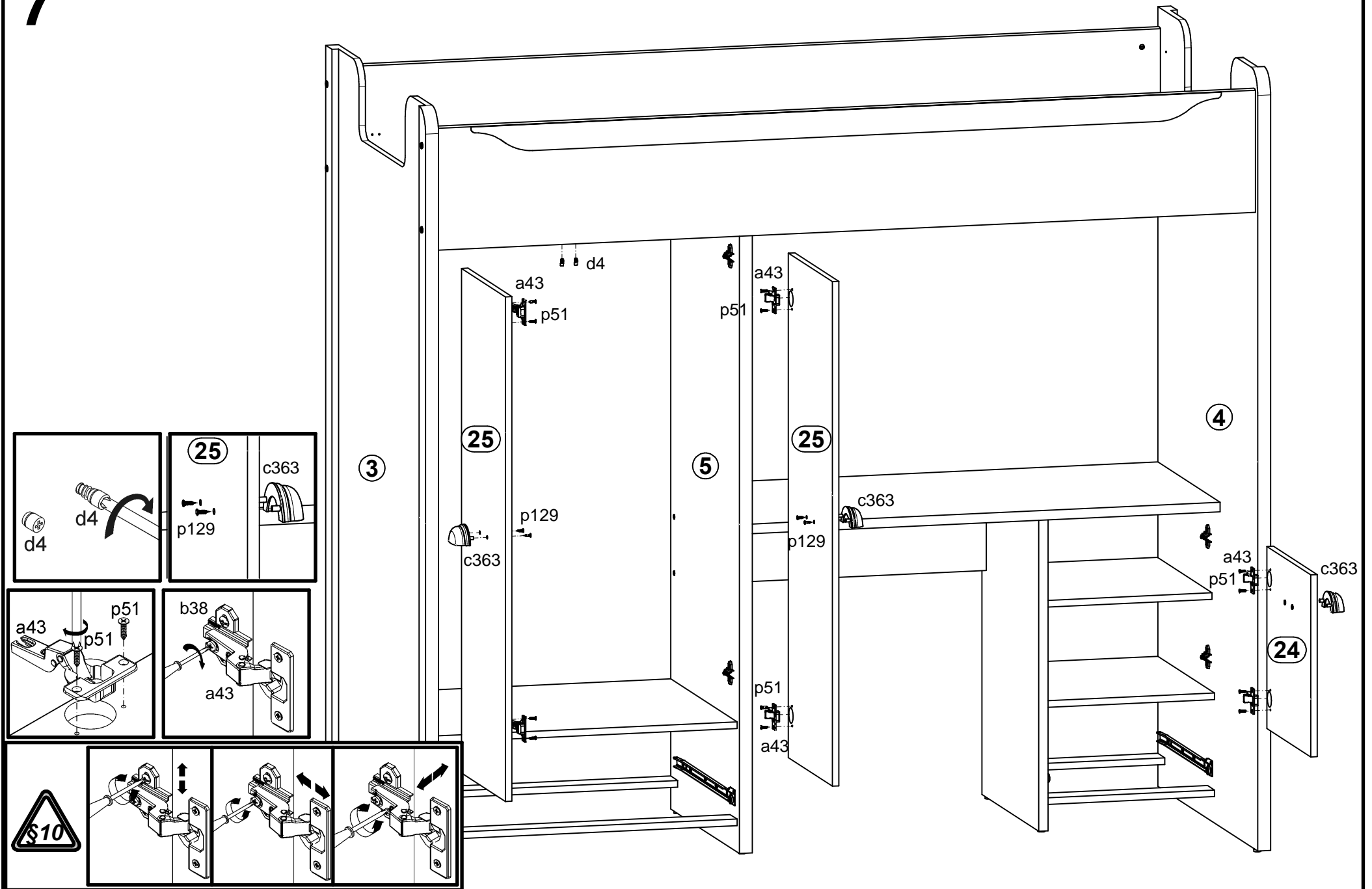
5



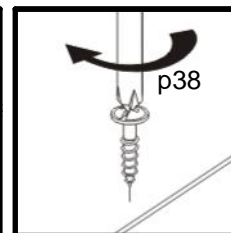
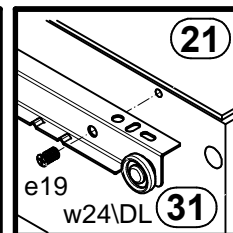
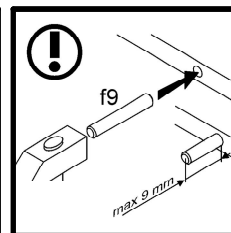
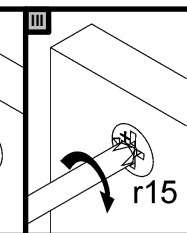
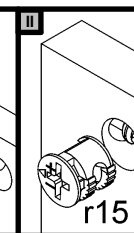
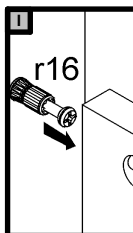
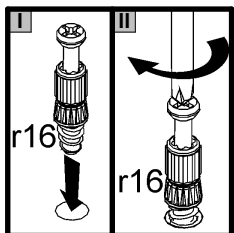
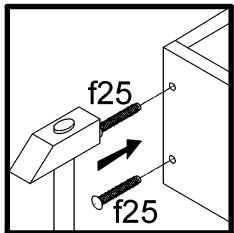
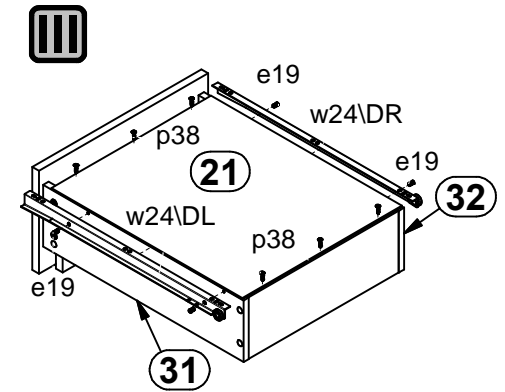
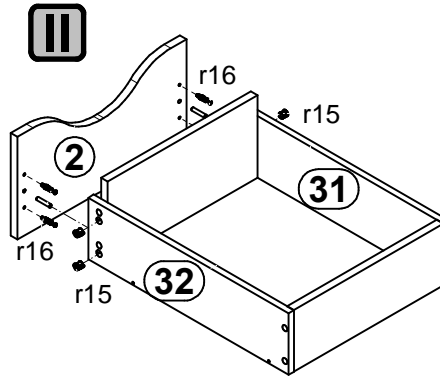
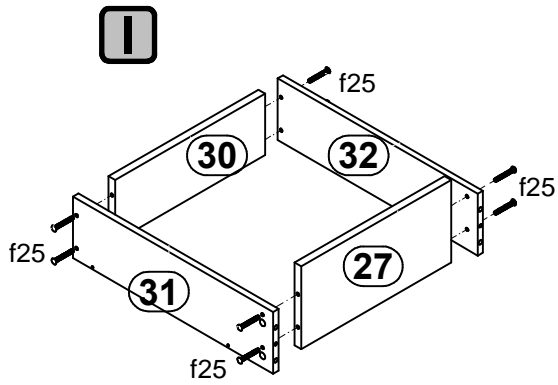
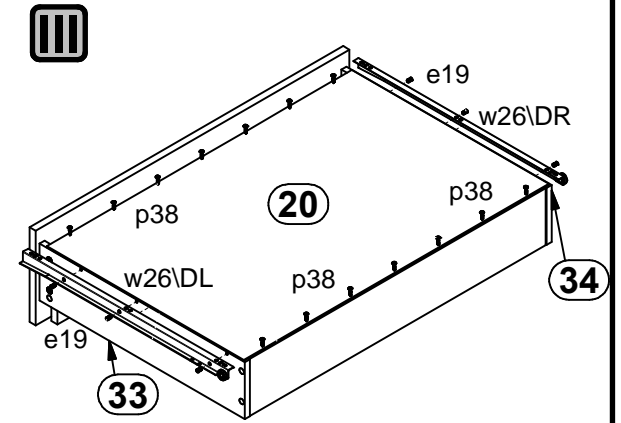
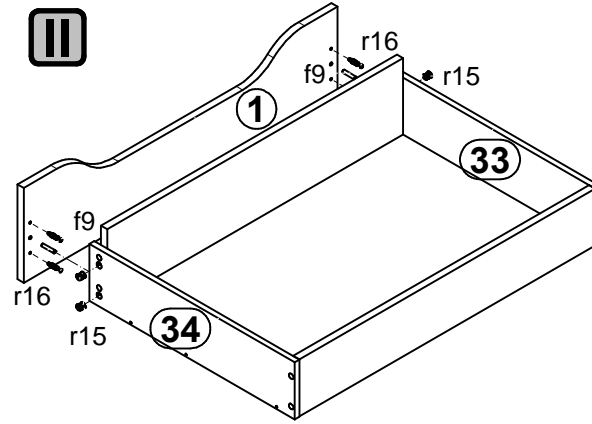
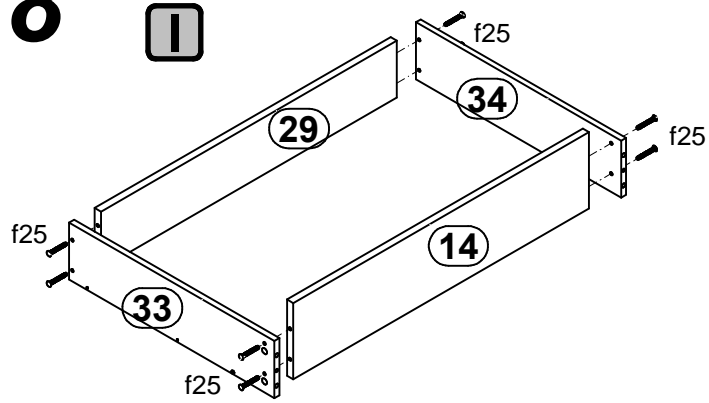
6



7



8



9

- §14
- §16A
- §16D
- §16E
- §16F

