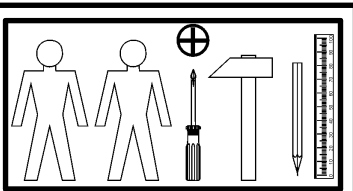
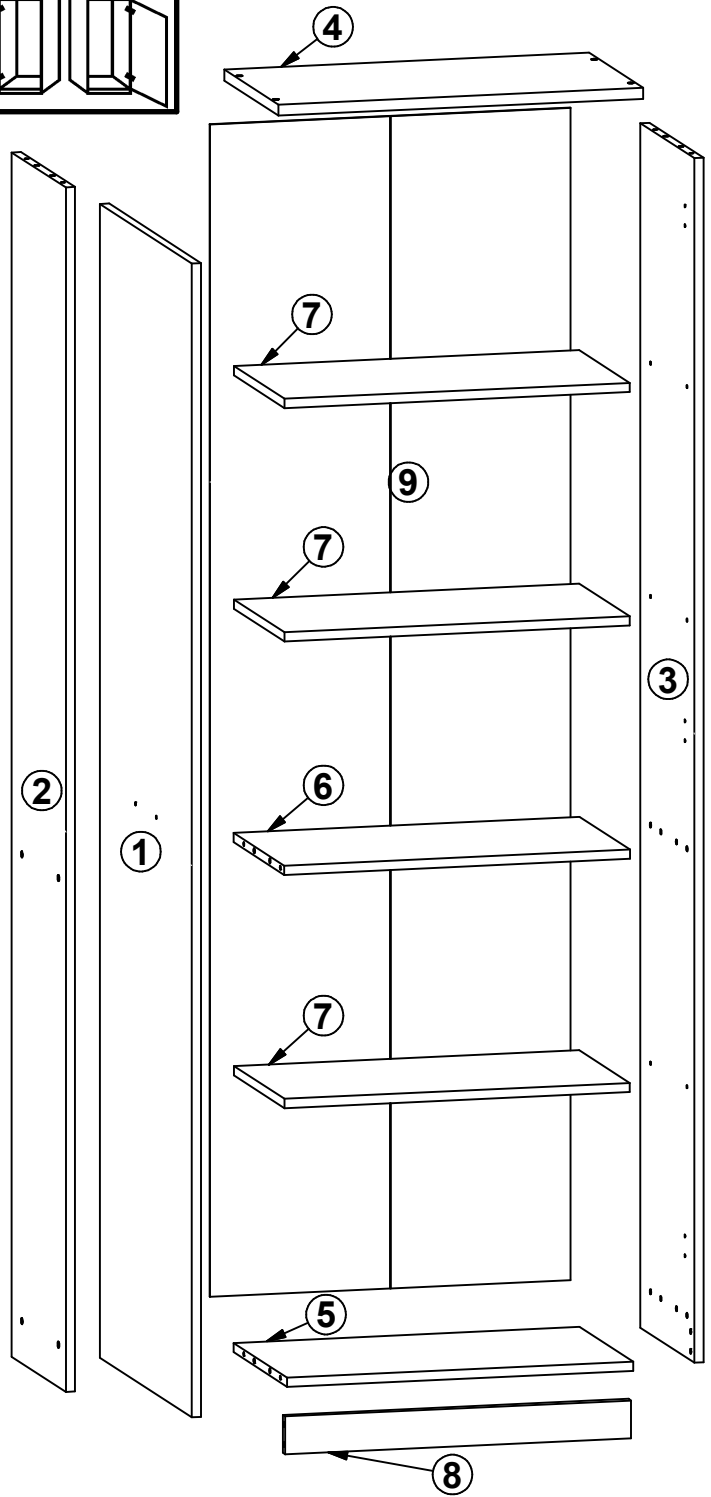
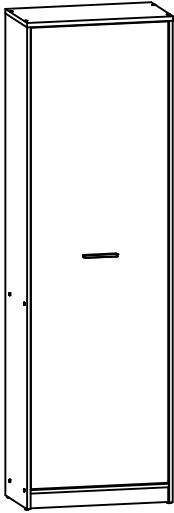
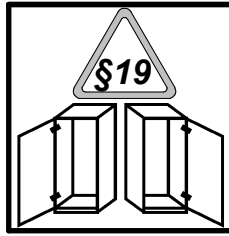


# NEPO

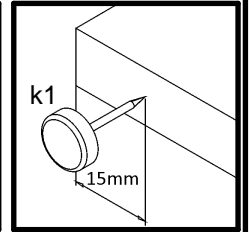
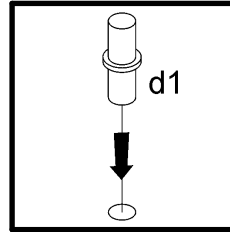
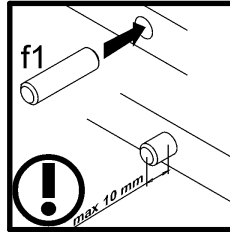
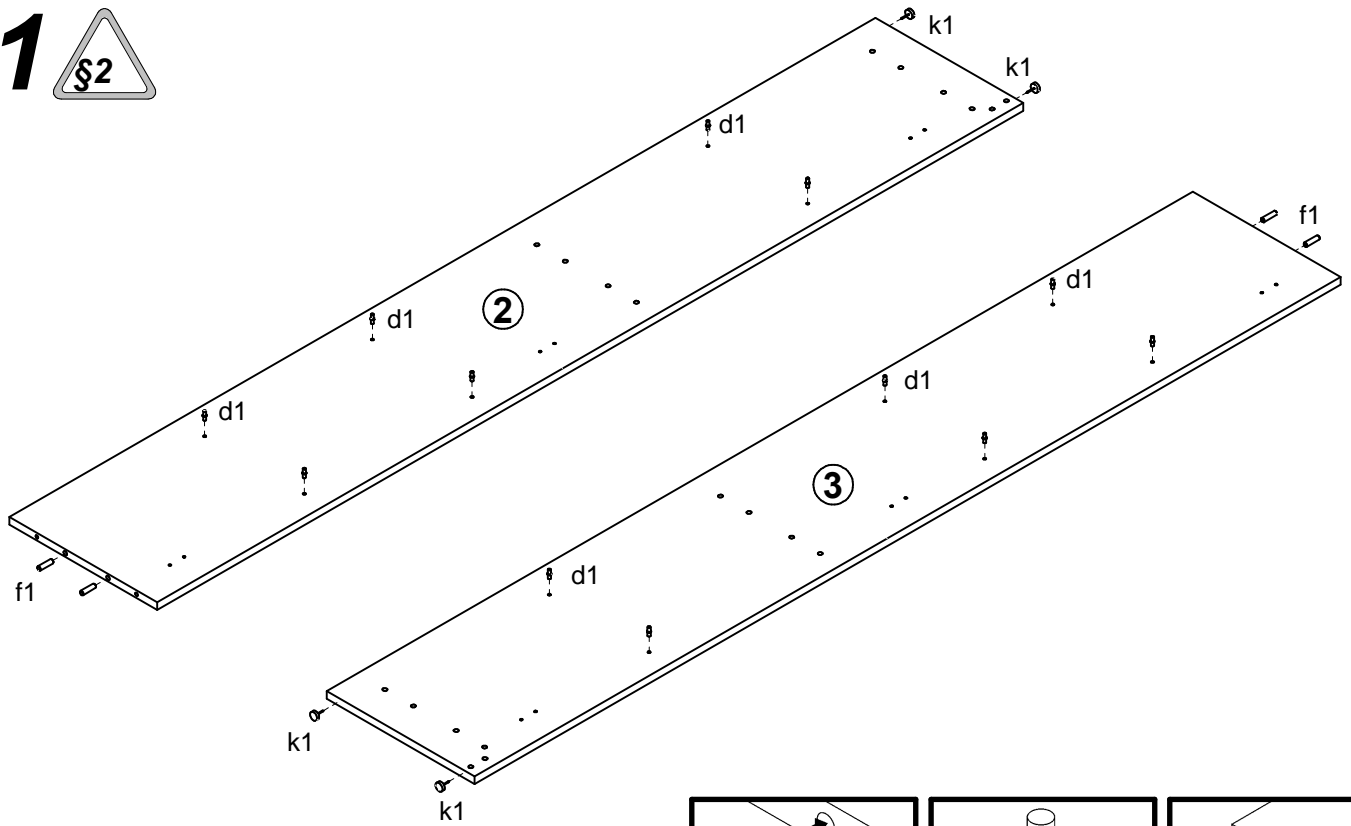
# S301-REG1D

A	B	C	D
1	S301-006	1864	564 3/3
2	S301-109	1946	332 1/3
3	S301-110	1946	332 1/3
4	S301-204	600	333 2/3
5	S301-306	569	329 2/3
6	S301-307	569	311 2/3
7	S301-308	568	310 2/3
8	S301-403	569	61 2/3
9	S301-907	1894	593 1/3

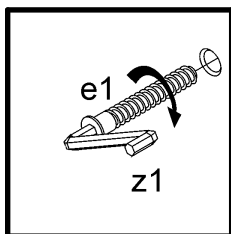
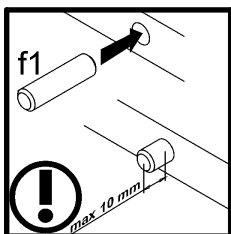
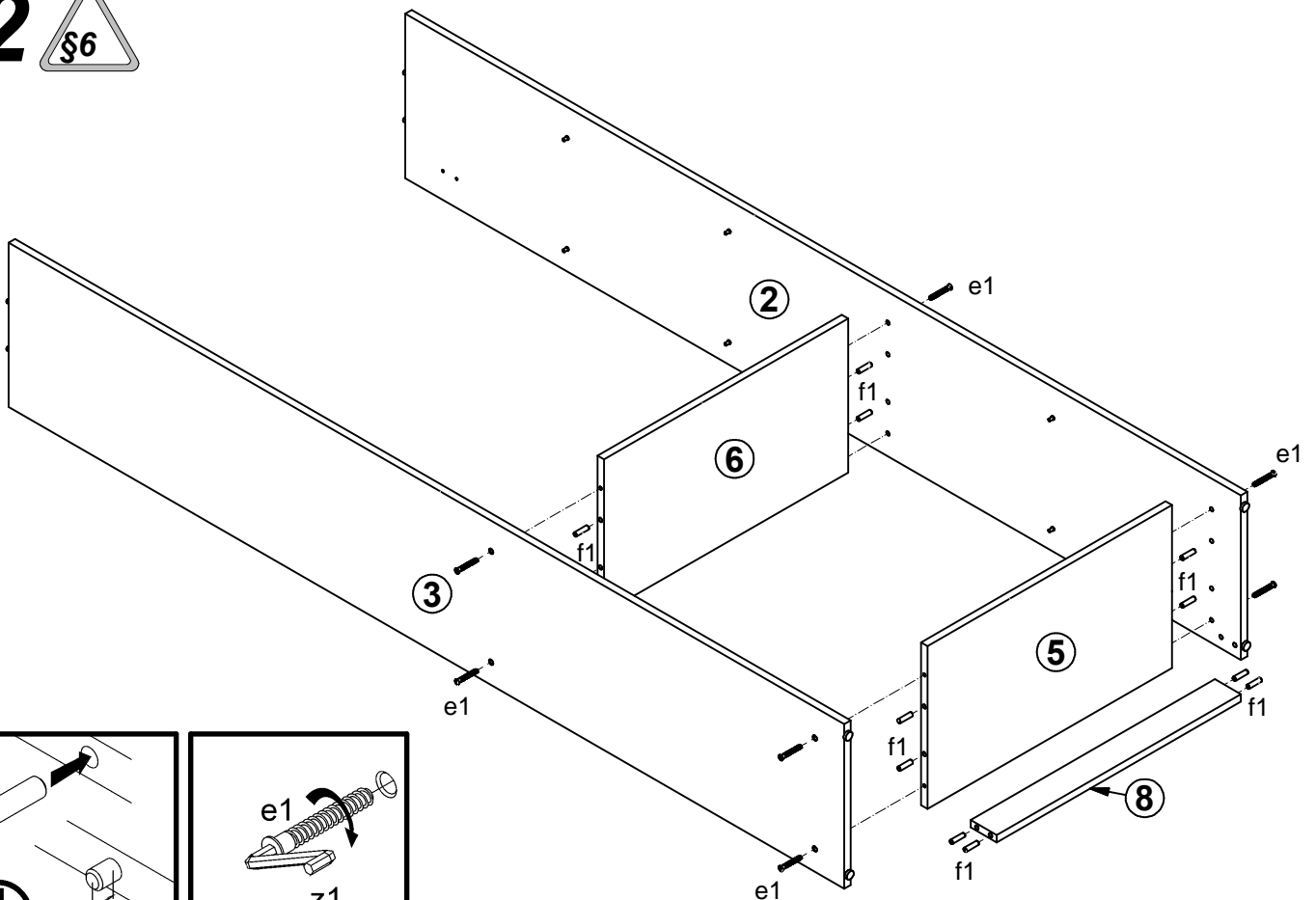


3x  a43	3x  b19	1x  c310	12x  d1 Ø5x17 mm	12x  e1 Ø7x50 mm	16x  f1 Ø8x30 mm	4x  k1	55x  l1	6x  p51 Ø3.5x15 mm
2x  p87 Ø4x25 mm	8x  s1	1x  n26\1	1x  p38 Ø3.5x16 mm	1x  z1				

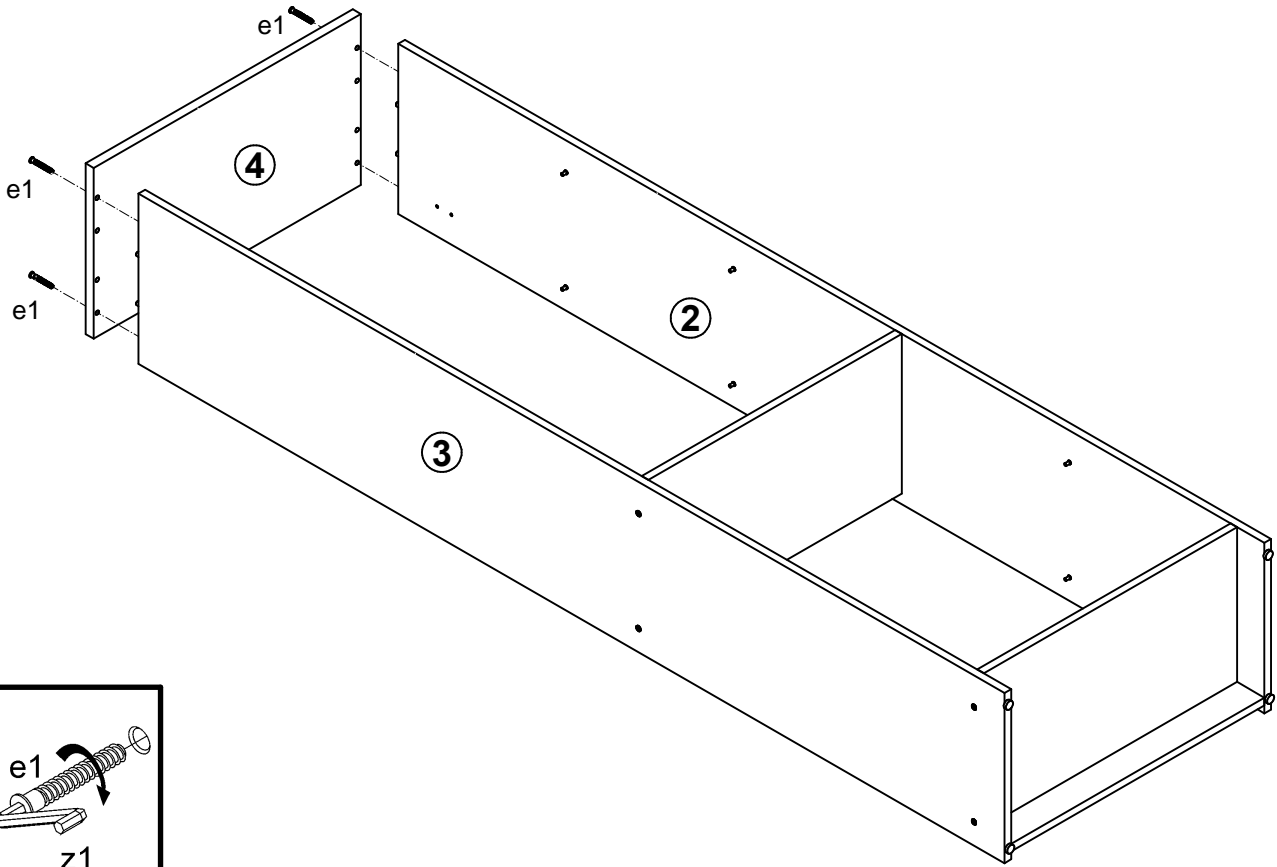
# 1



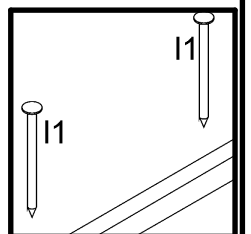
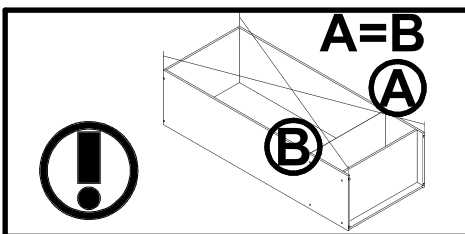
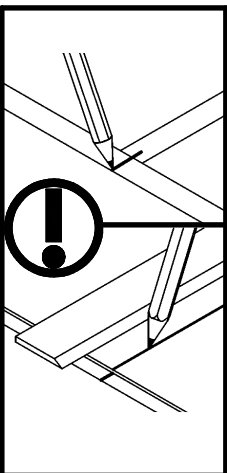
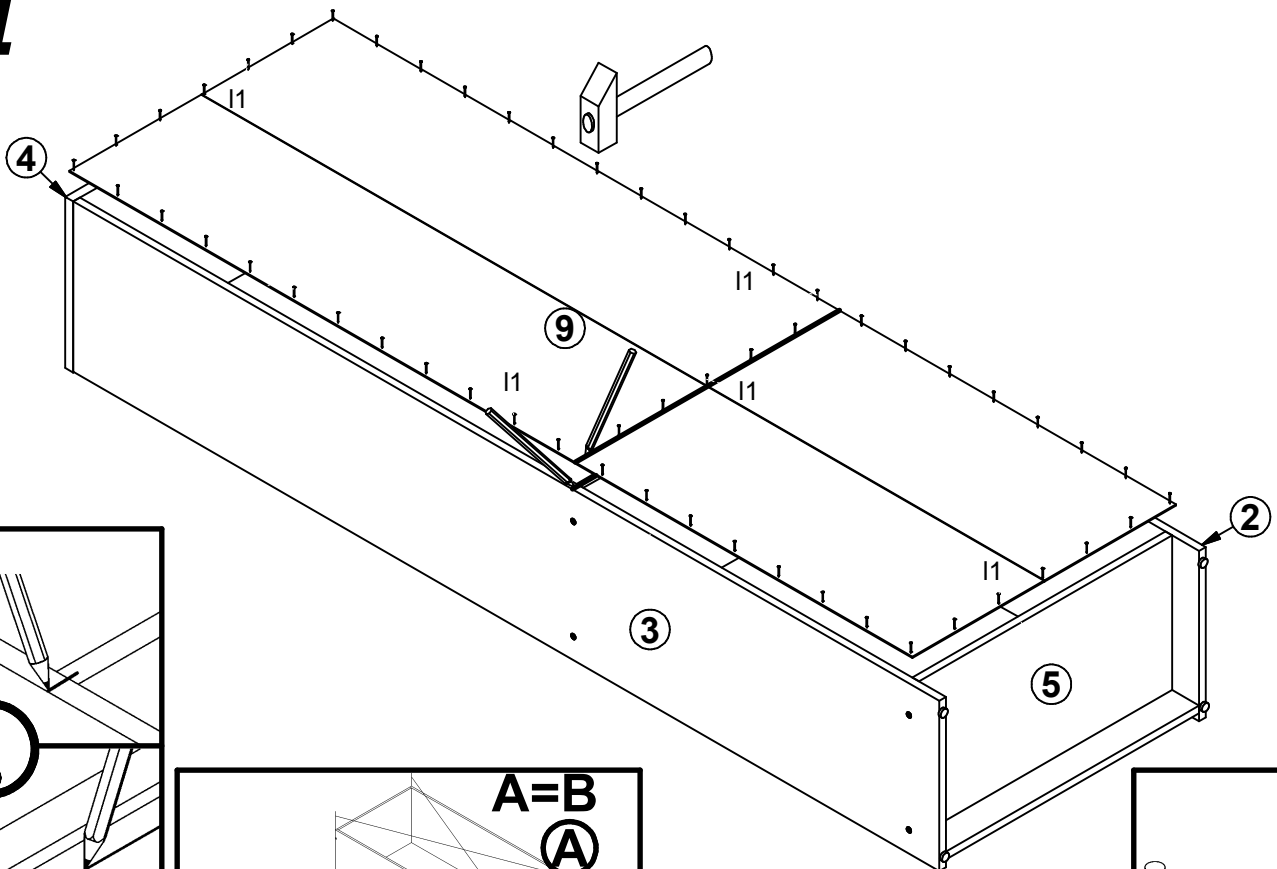
# 2



# 3



# 4



# 5

