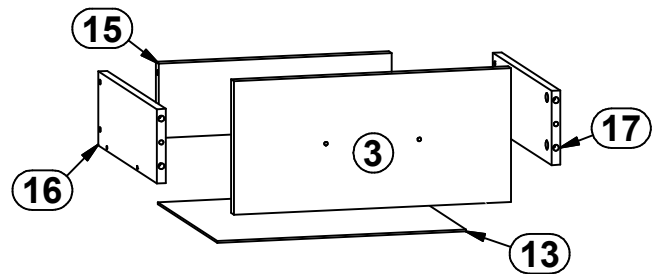
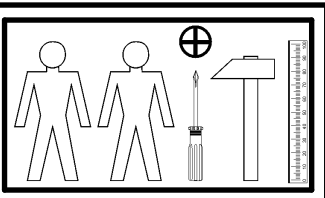
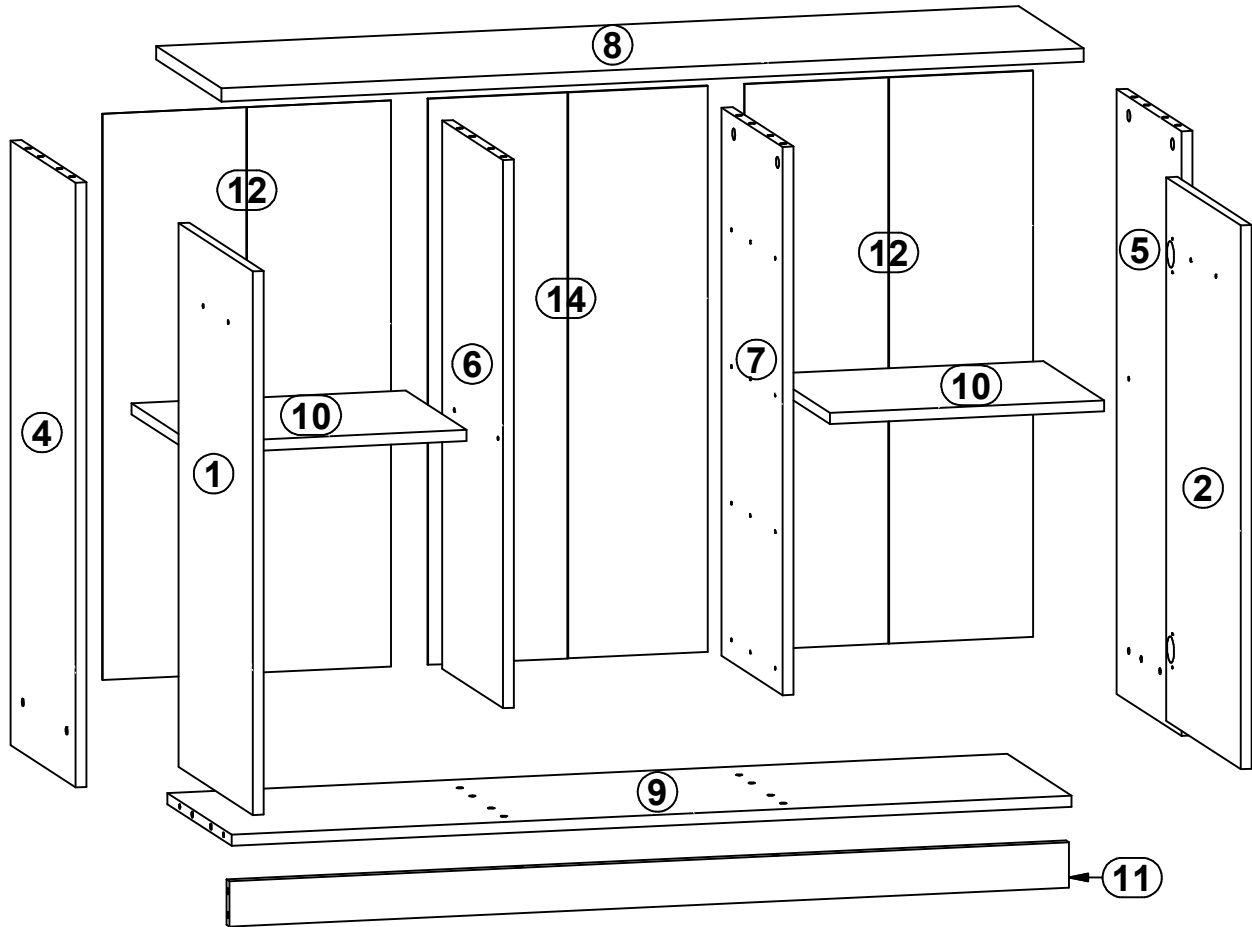
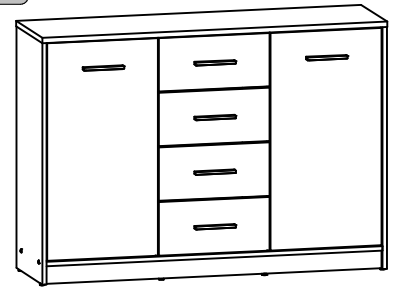


# NEPO

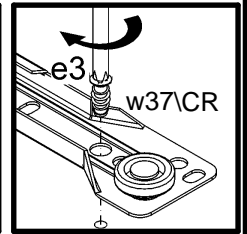
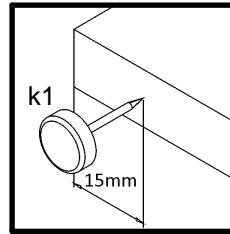
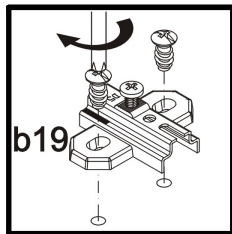
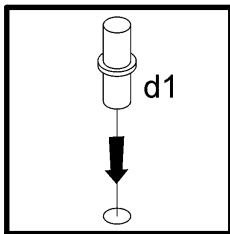
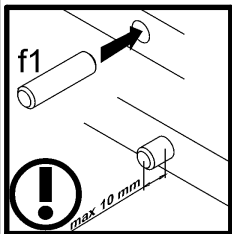
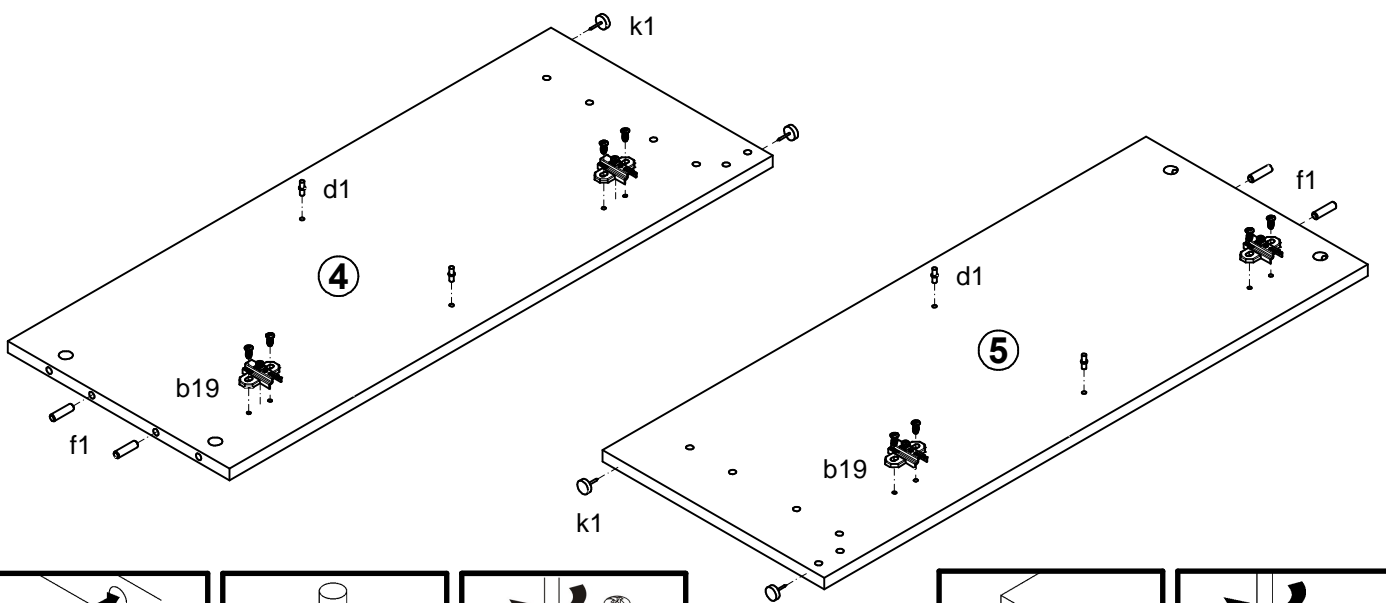
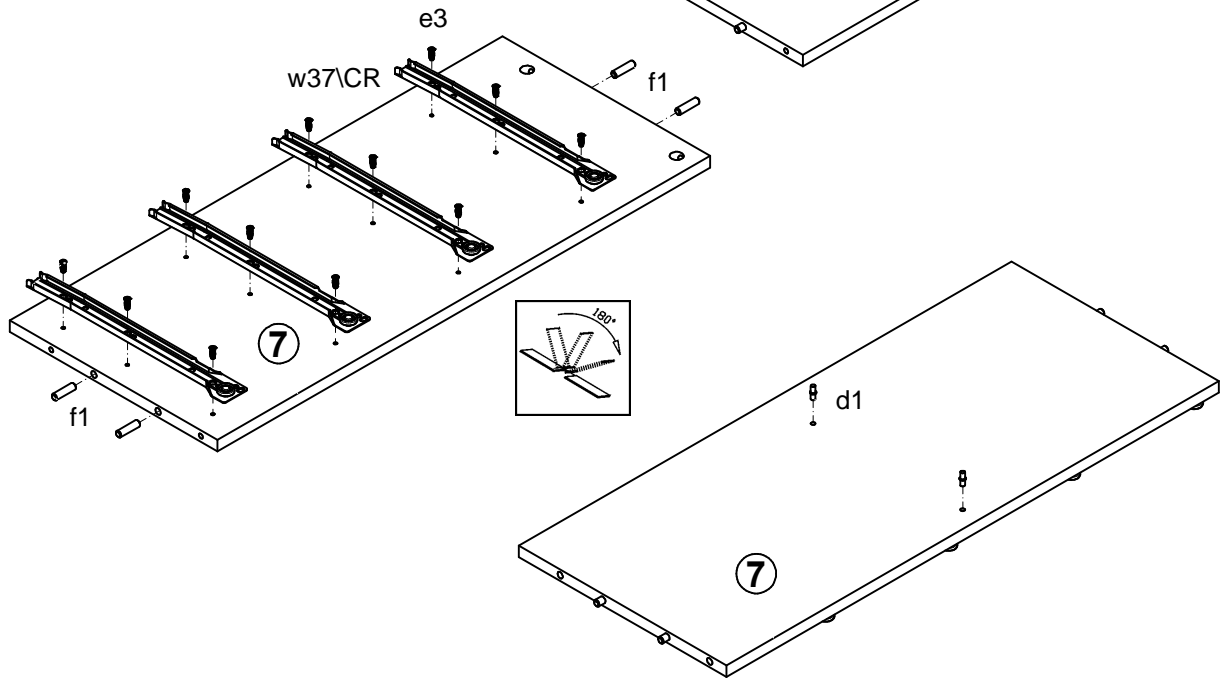
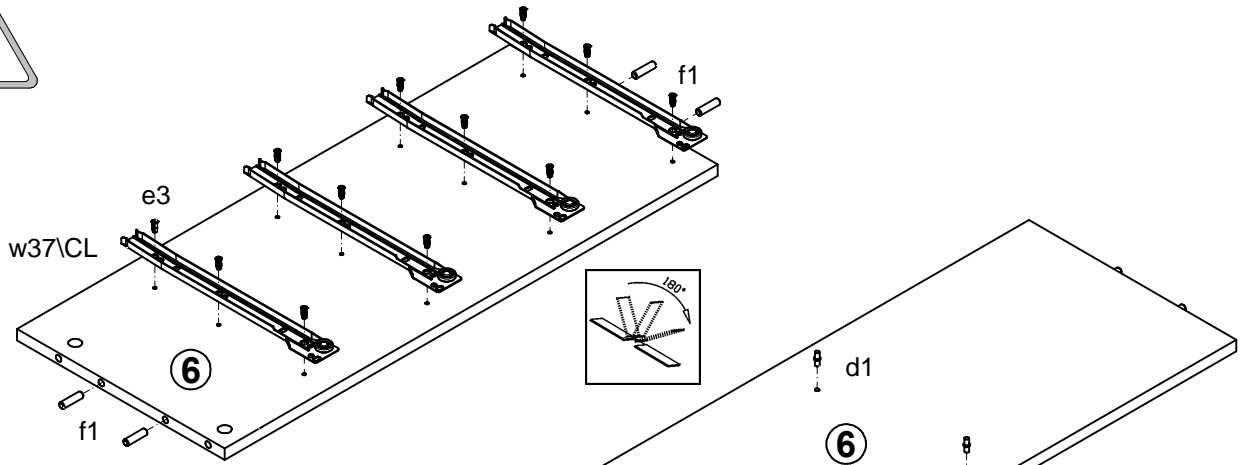
# S301-KOM2D4S

A	B	C	D	A	B	C	D		
1	S301-002	732	380	2/2	10	S301-304	376	311	1/2
2	S301-003	732	380	2/2	11	S301-402	1151	61	1/2
3	S301-004	380	180	2/2	12	S301-902	762	395	1/2
4	S301-103	814	332	1/2	13	S301-903	341	305	1/2
5	S301-104	814	332	1/2	14	S301-904	762	383	1/2
6	S301-105	738	311	1/2	15	ZS3-5526	319	100	1/2
7	S301-106	738	311	1/2	16	ZS4-509	300	100	1/2
8	S301-202	1182	333	1/2	17	ZS4-510	300	100	1/2
9	S301-303	1151	329	1/2					

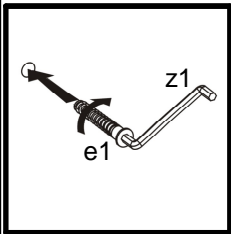
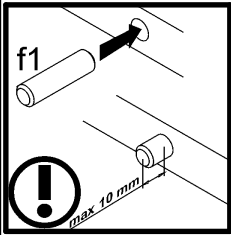
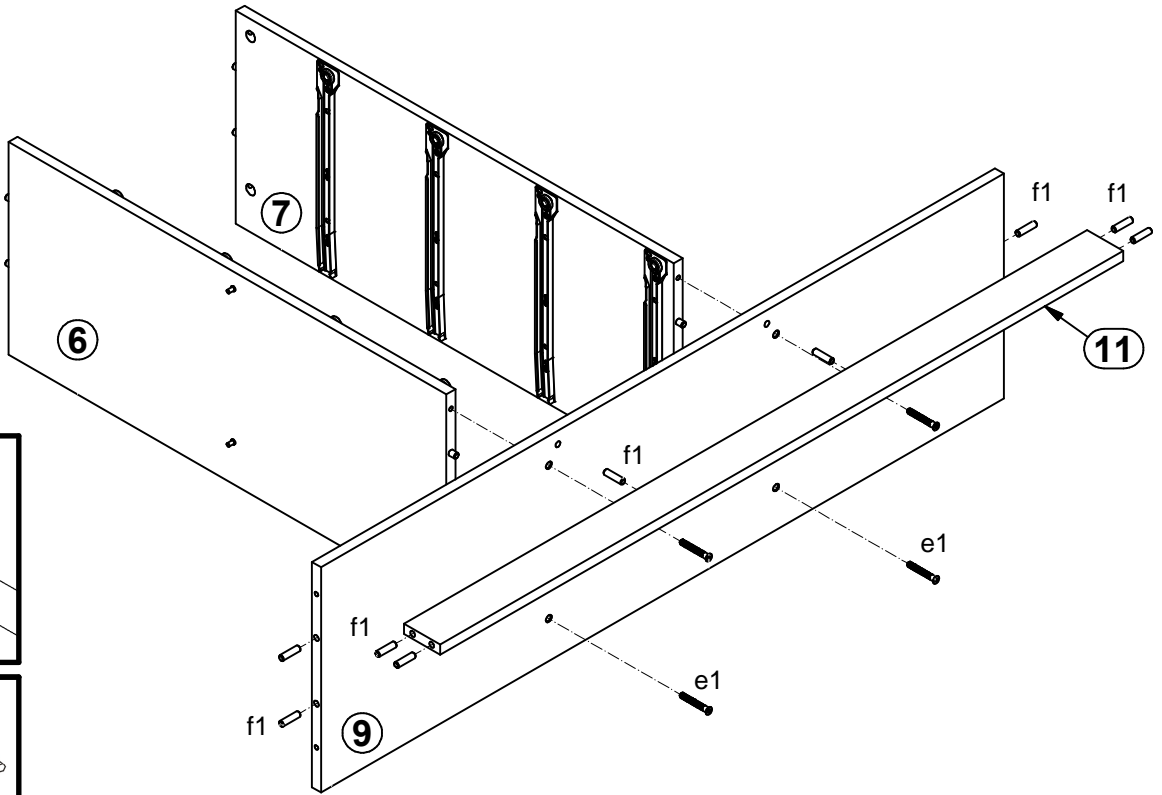


4x  a43	4x  b19	6x  c310	8x  d1 Ø5x17 mm	8x  e1 Ø7x50 mm	24x  e3 Ø6x13 mm	16x  e19 Ø5x9 mm	22x  f1 Ø8x30 mm	8x  f9 Ø6x30 mm
16x  f25 Ø6.5x40 mm	6x  k1	80x  l1	12x  p38 Ø3.5x16 mm	8x  p51 Ø3.5x15 mm	12x  p87 Ø4x25 mm	8x  r1 Ø15x12 mm #16	16x  r15 Ø12x10.5 mm #12	24x  r42
4x  s1	6x  s2 Ø16	4x  w37/CL 300 mm	4x  w37/CR 300 mm	4x  w37/DL 300 mm	4x  w37/DR 300 mm	1x  z1	1x  n26/1	1x  p38 Ø3.5x16 mm

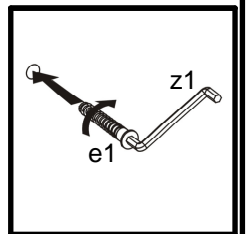
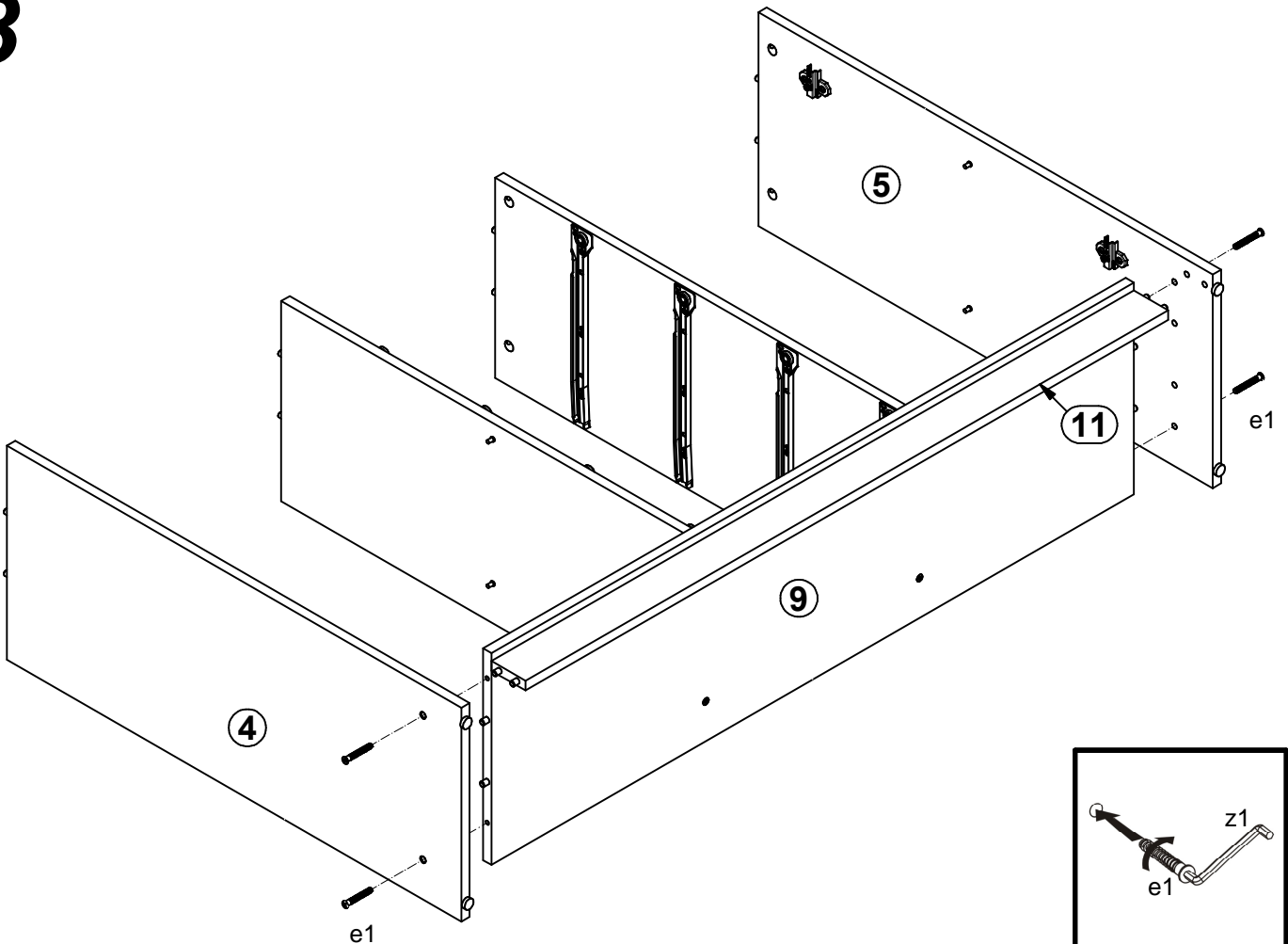
1 



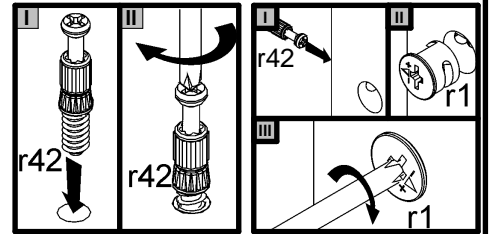
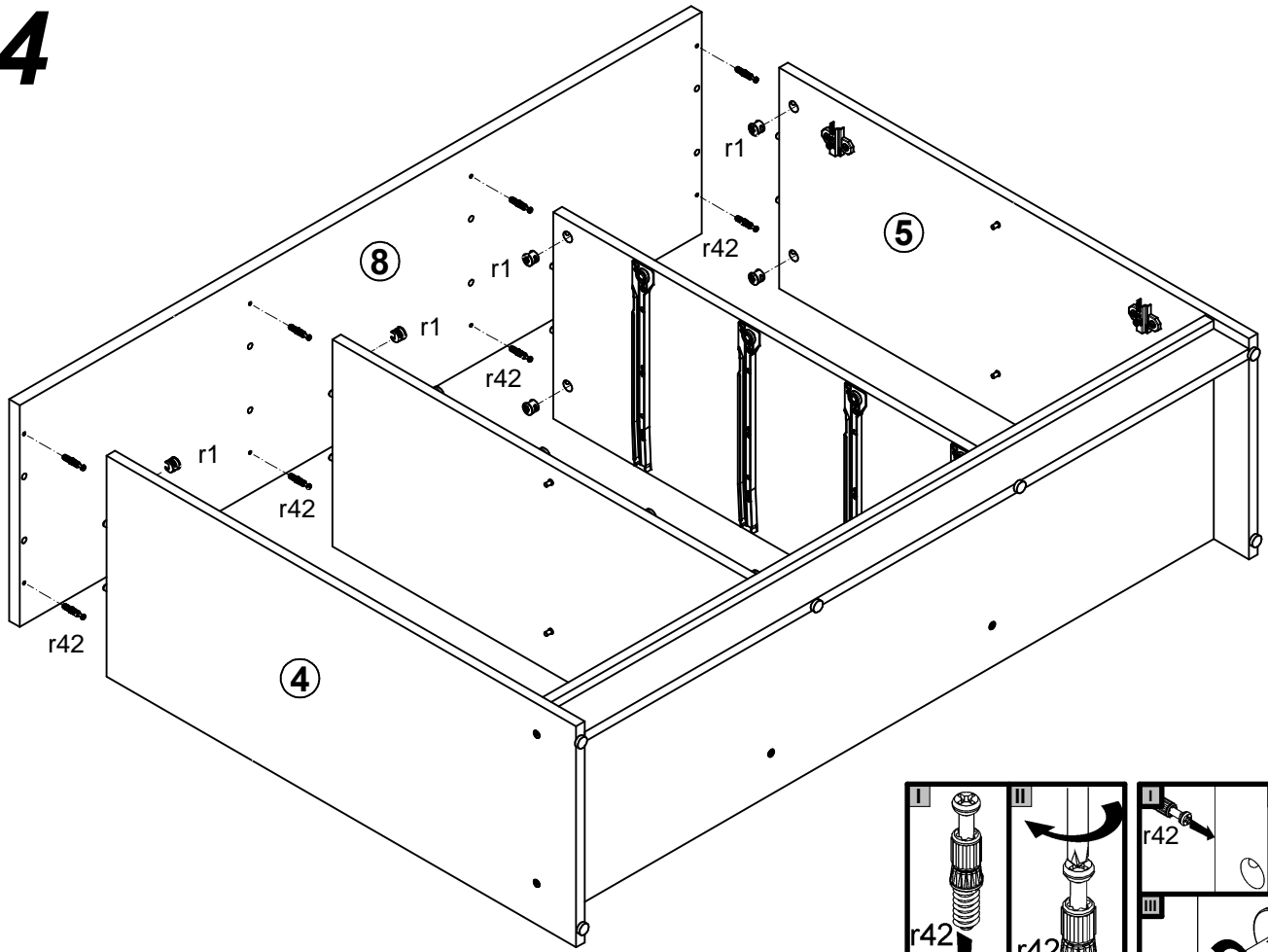
# 2



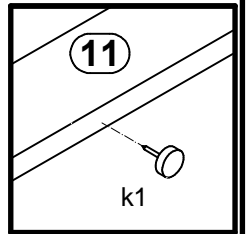
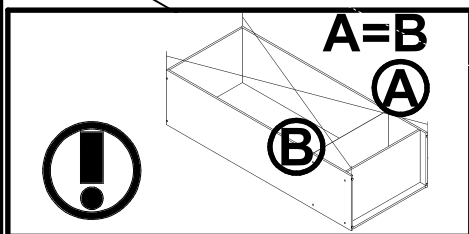
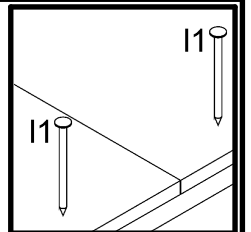
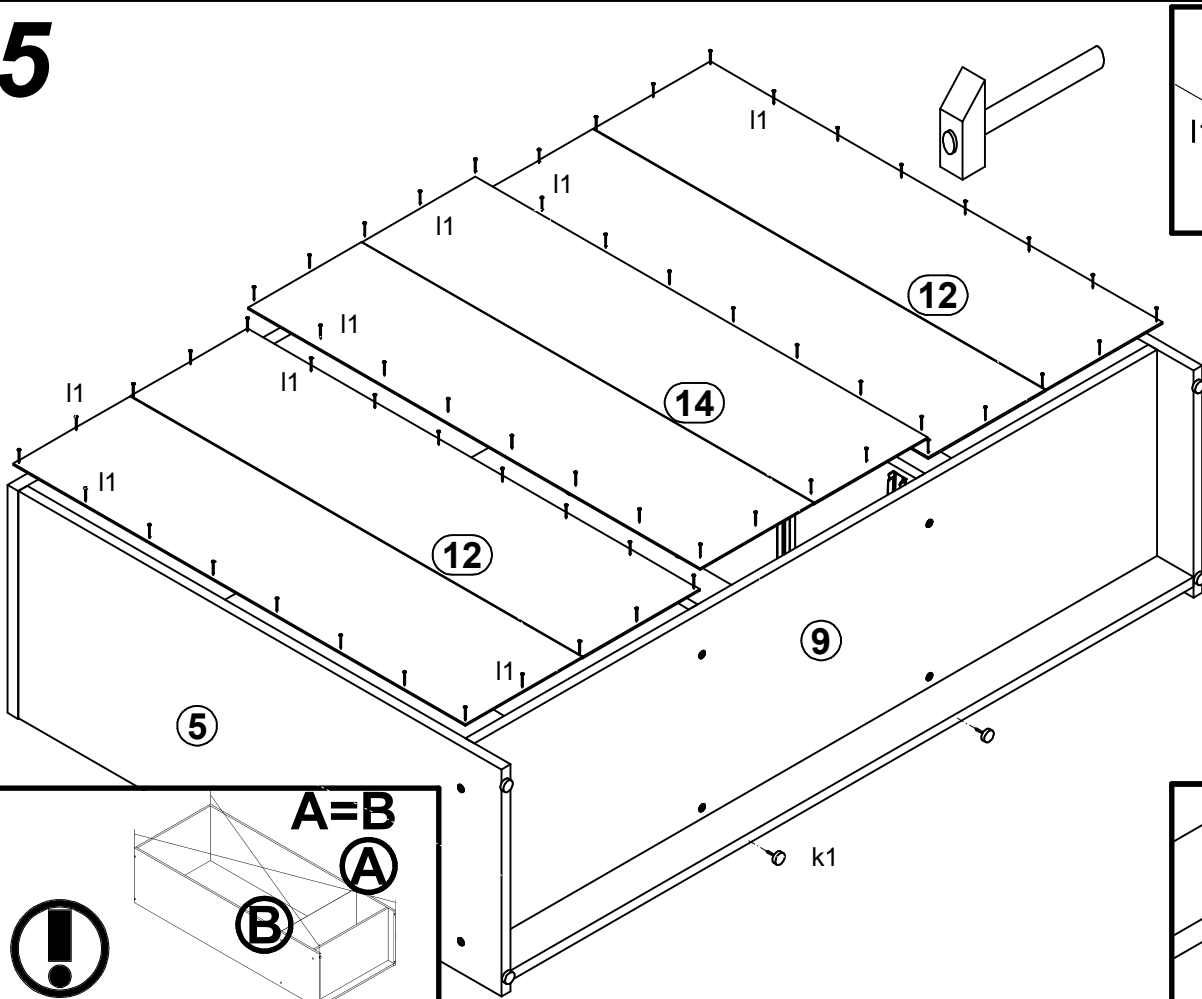
# 3



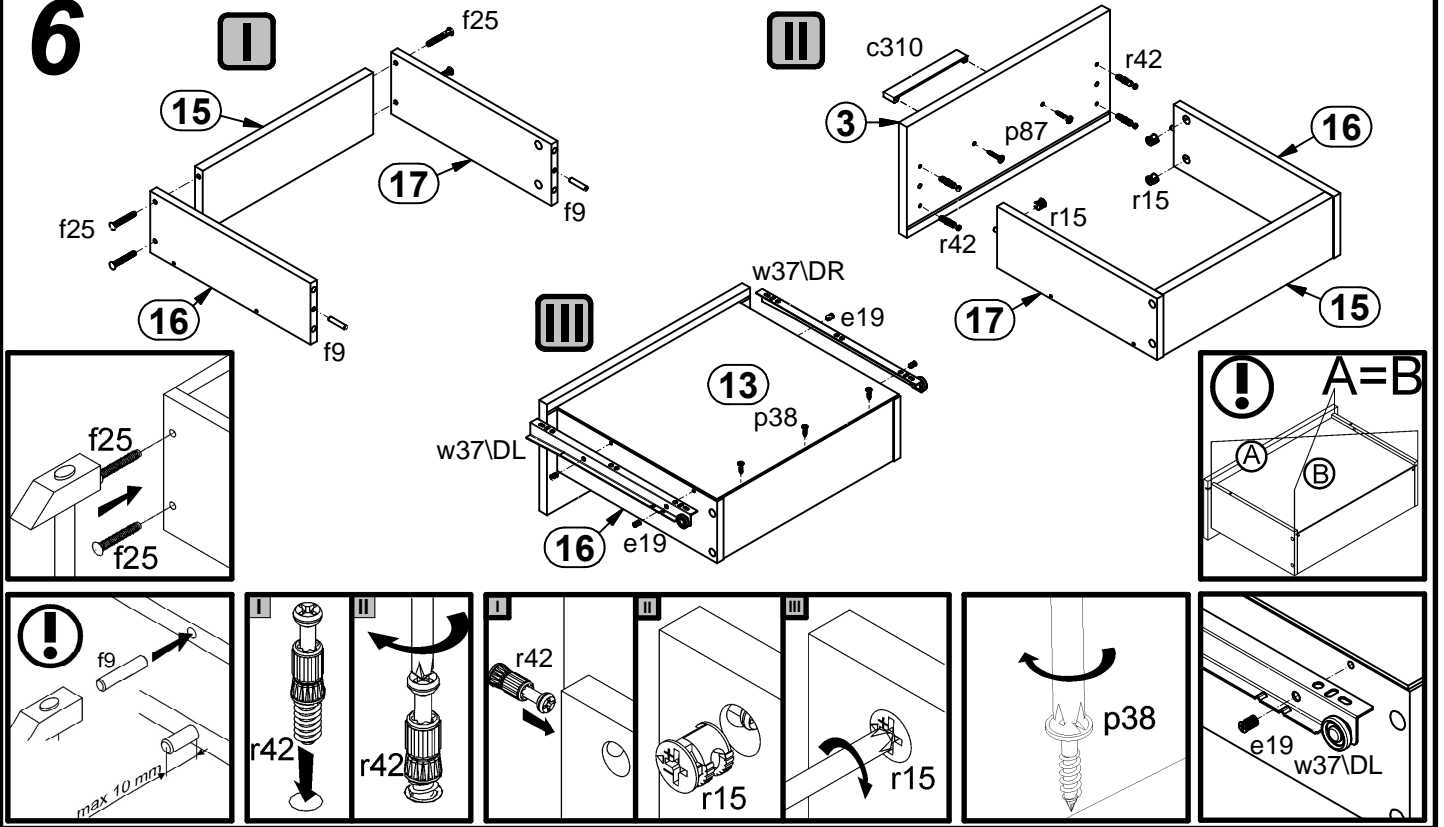
# 4



# 5



# 6



# 7

