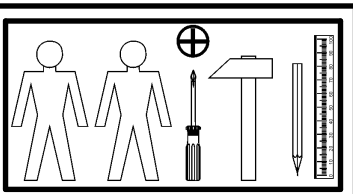
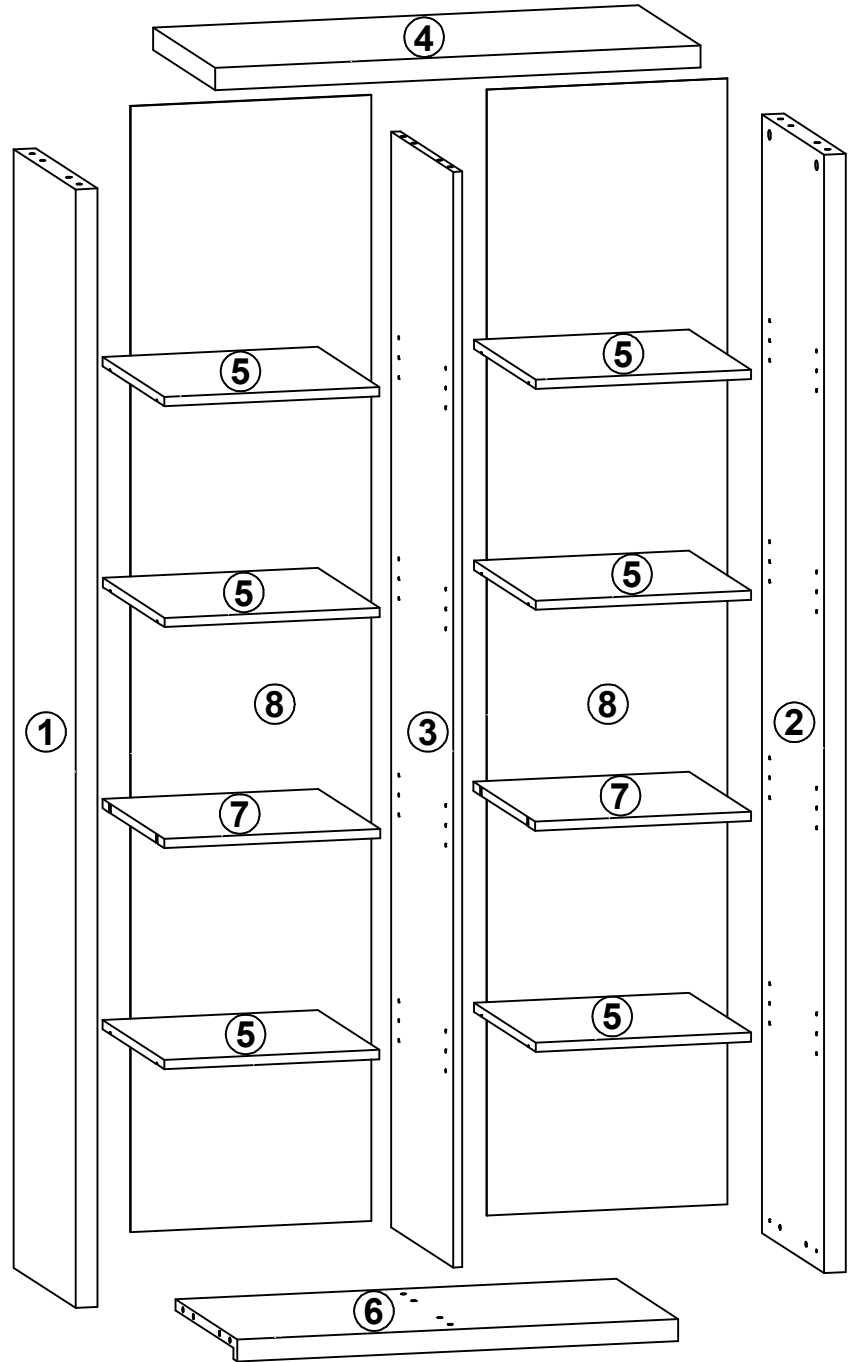
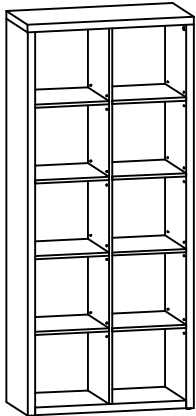
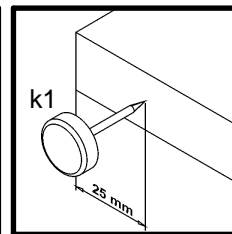
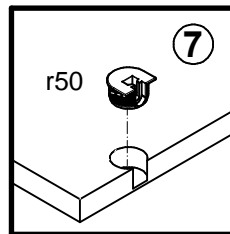
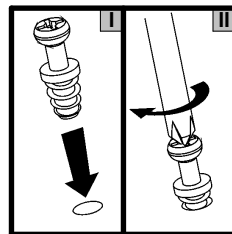
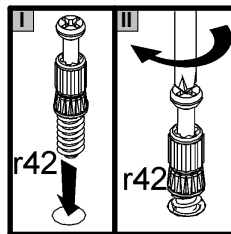
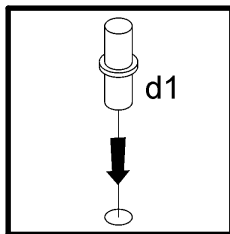
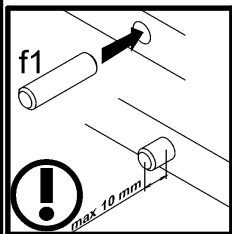
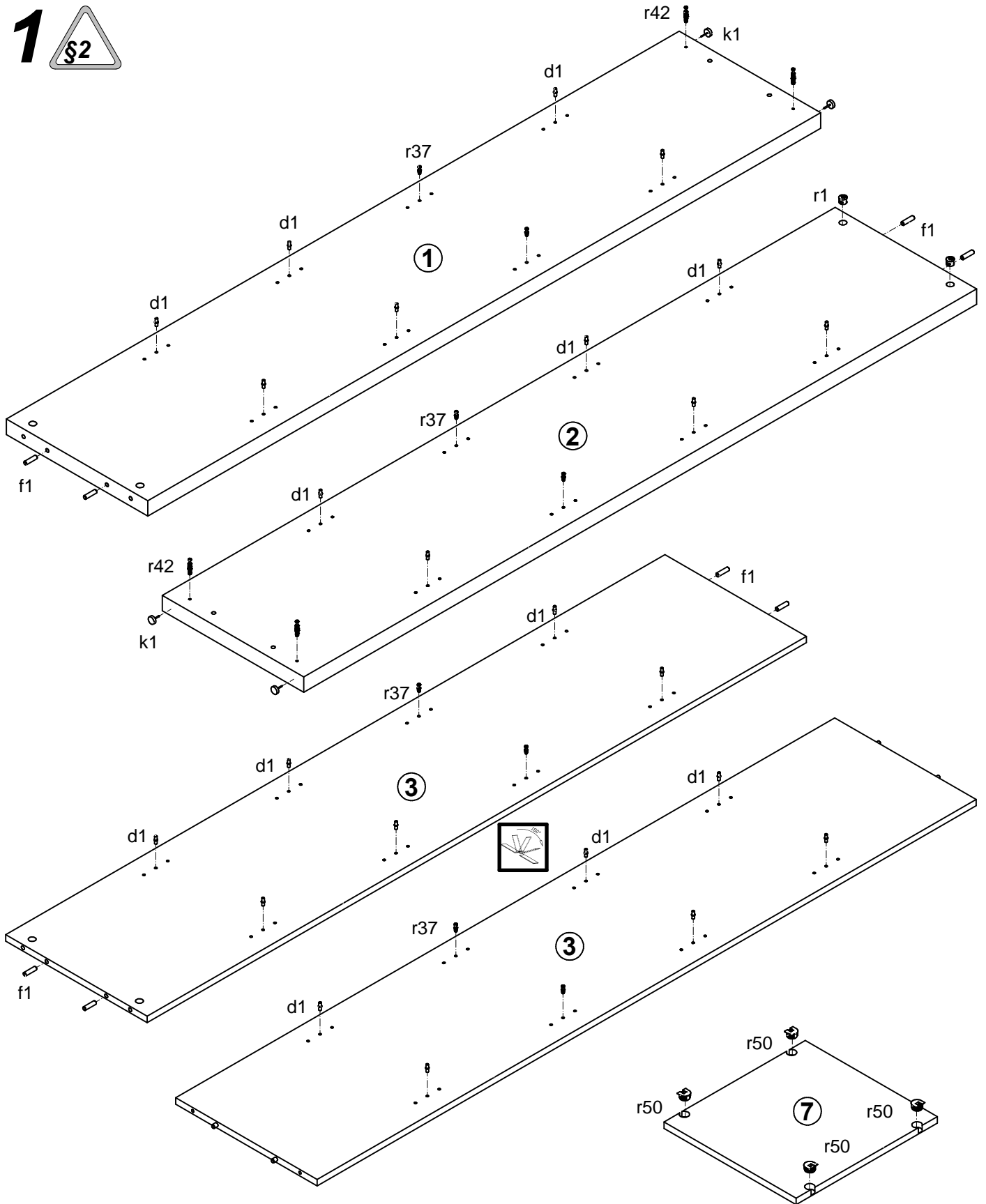


| A | B | C | D |
|---|----------|------|-----|
| 1 | S301-146 | 1807 | 380 |
| 2 | S301-147 | 1807 | 380 |
| 3 | S301-148 | 1770 | 380 |
| 4 | S301-216 | 798 | 381 |
| 5 | S301-323 | 354 | 379 |
| 6 | S301-325 | 725 | 380 |
| 7 | S301-326 | 355 | 379 |
| 8 | S301-925 | 1819 | 396 |

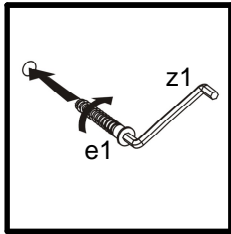
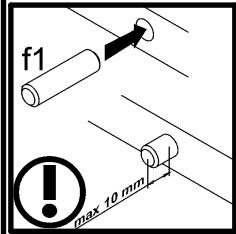
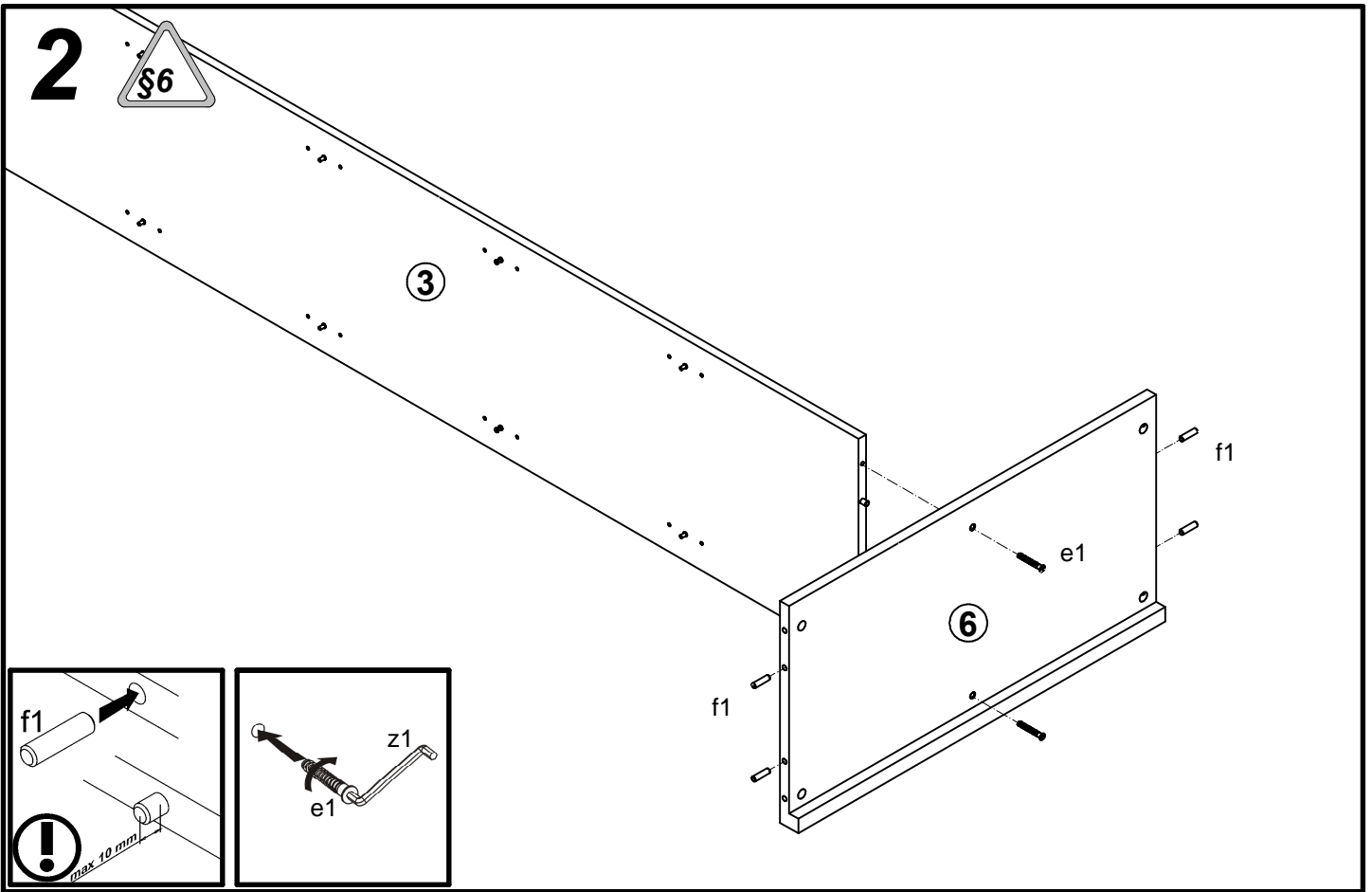


| | | | | | | | | |
|-----------------------|----------------------|-----------------------|-------------------------|------------|----------------------------|-----------|------------|-----------|
| 24x Ø5x17 mm d1 | 2x Ø7x50 mm e1 | 12x Ø8x30 mm f1 | 4x k1 | 100x l1 | 10x Ø15x12 mm #16 r1 | 8x r37 | 10x r42 | 8x r50 |
| 2x Ø16 s2 | 4x Ø15 s51 | 1x n26/1 | 1x Ø3.5x16 mm p38 | 1x z1 | | | | |

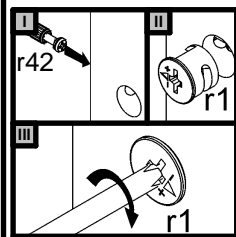
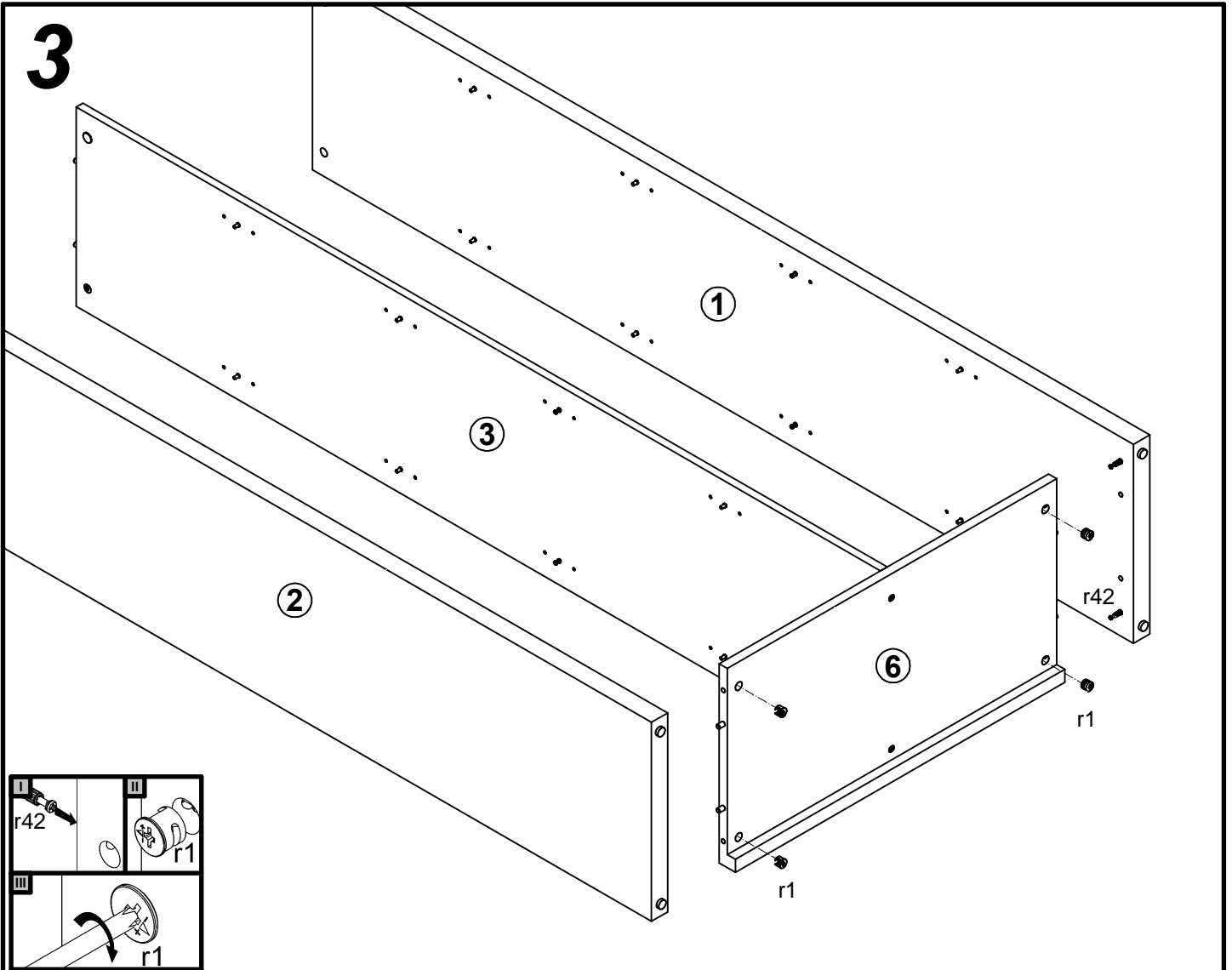
1 §2



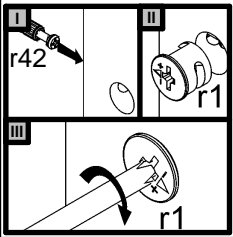
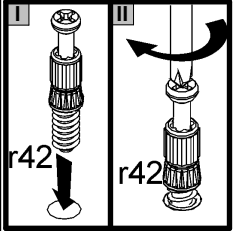
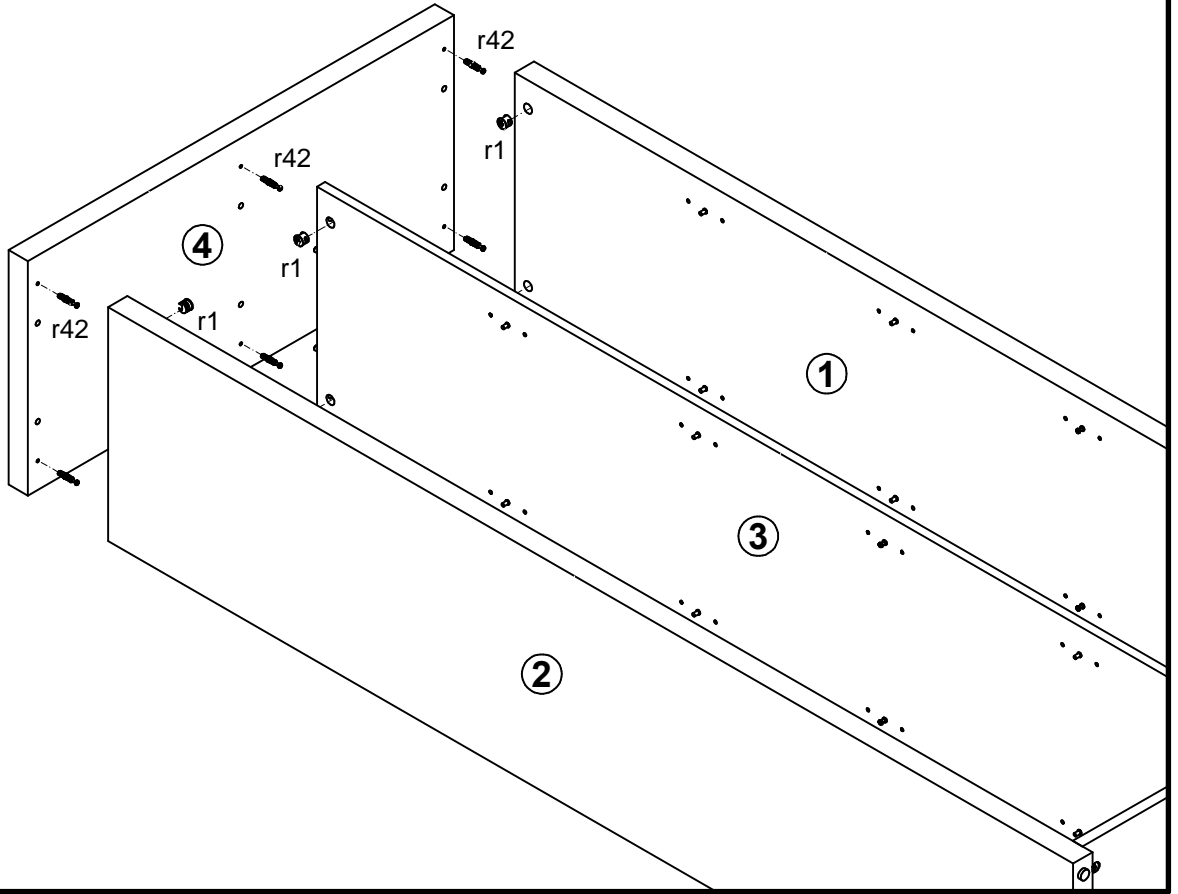
2



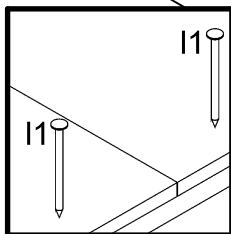
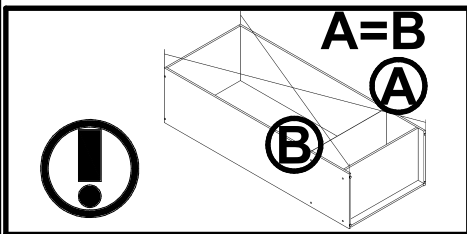
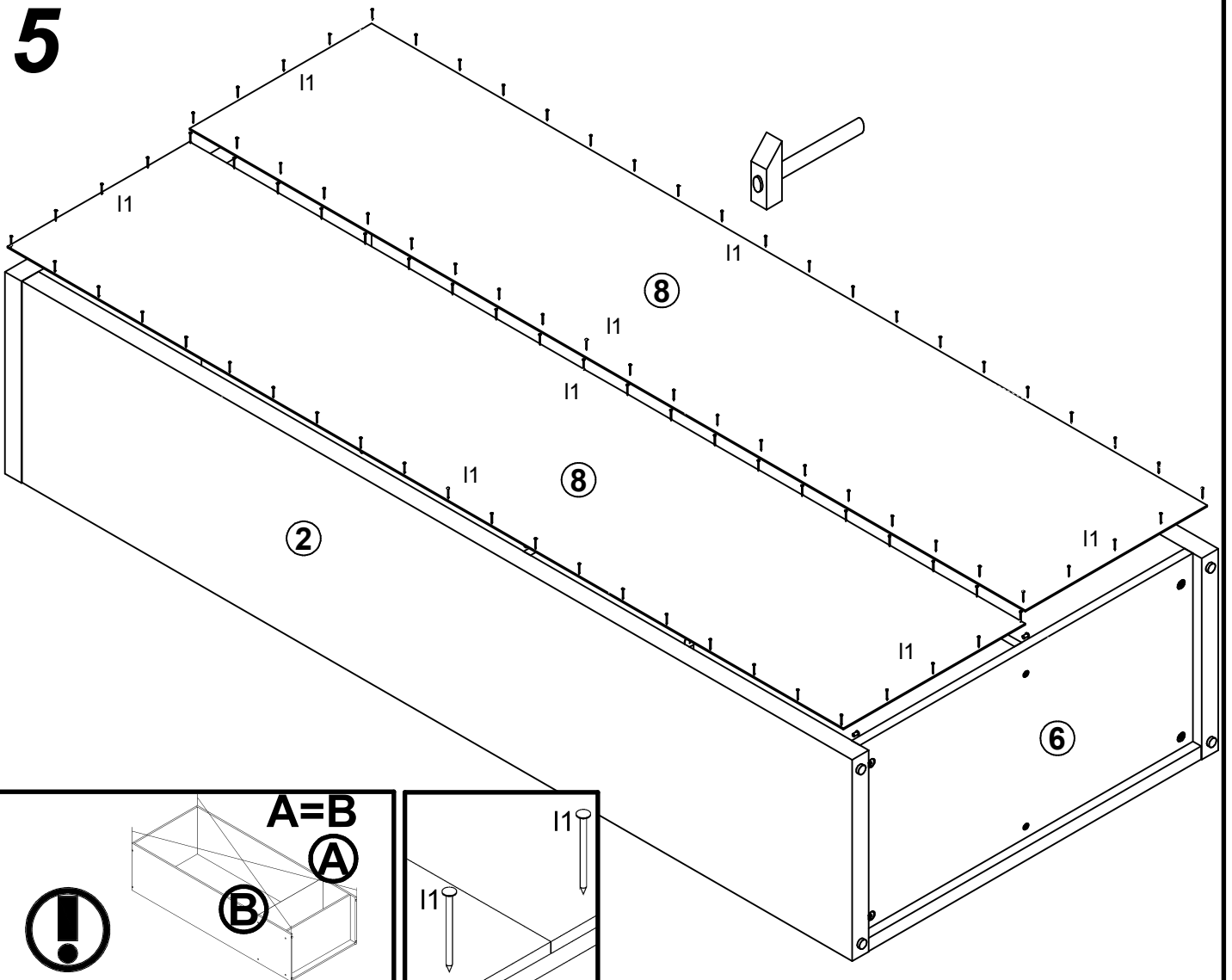
3



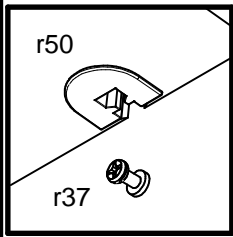
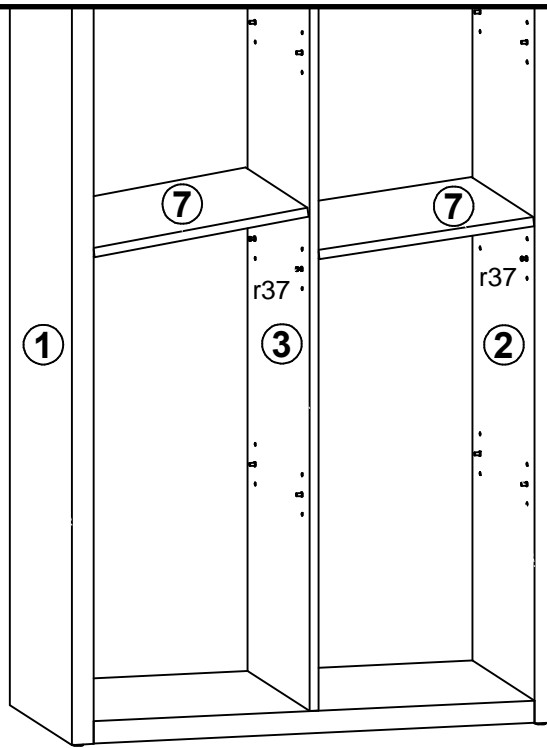
4



5



6



7

