


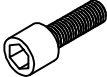


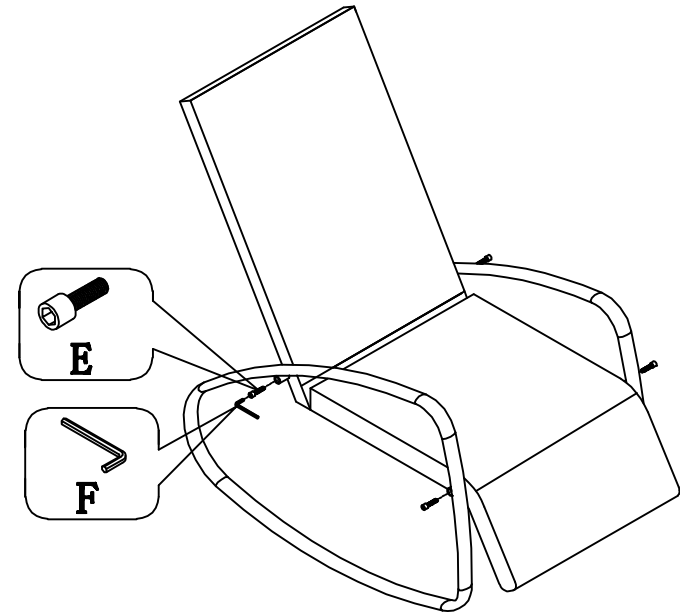
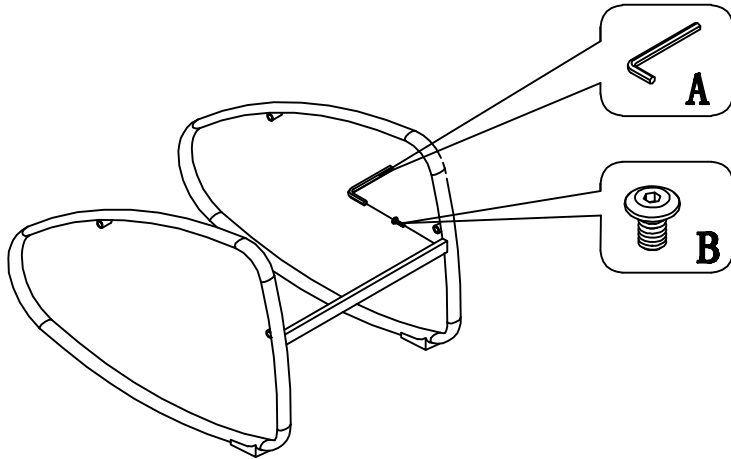


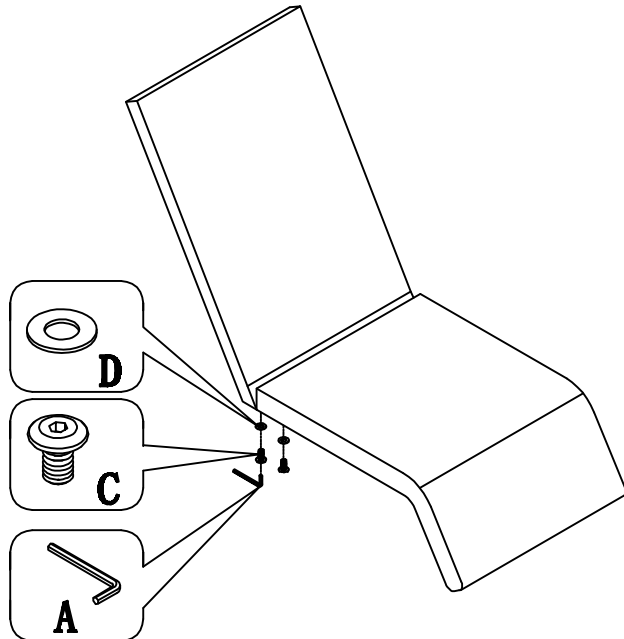
DORA S-1103F

A		1ks 4MM	D		4ks $\phi 16 \times \phi 6 \times 1.2$	3
B		4ks M6x12	E		4ks M8x40	
C		4ks M6x14	F		1ks 6MM	

1



2



4

