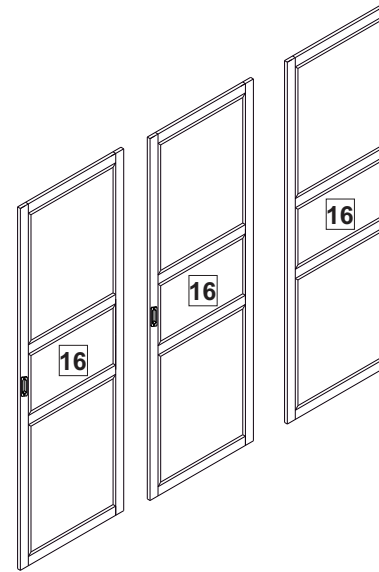
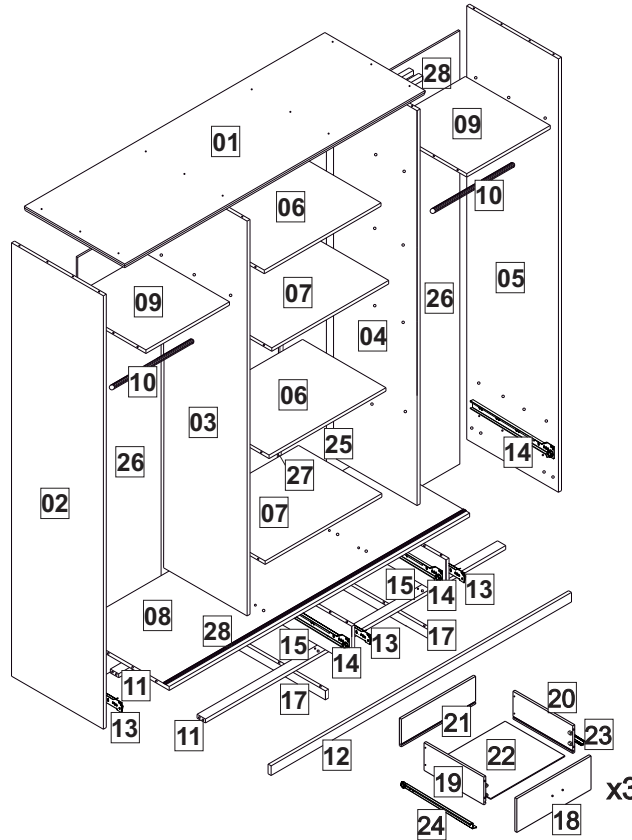
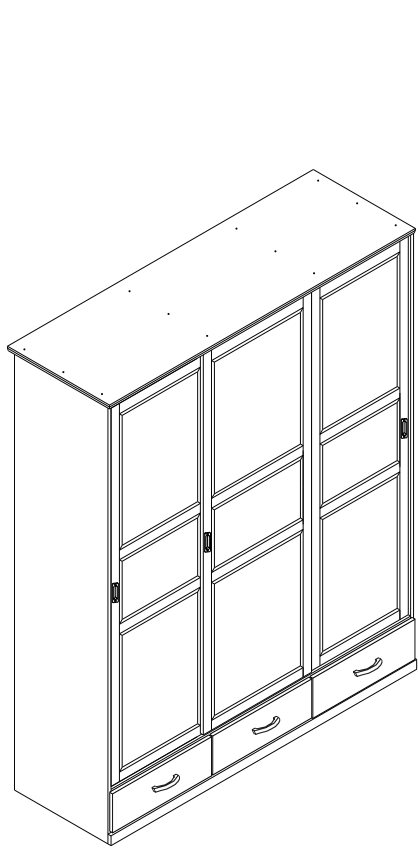
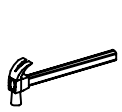
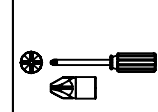
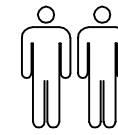


ASSEMBLY INSTRUCTIONS

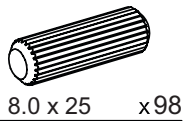
ONIX 3 SLIDING DOORS + 3 DRAWERS

Ref: 1734

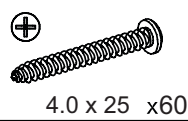


Description	Qty
01- Top	01
02- Left side panel	01
03- Left division	01
04- Right division	01
05- Right side panel	01
06- Fixed shelves	02
07- Shelves	02
08- Base	01
09- Lower fixed shelf	02
10- Hanging rail	02
11- Lower crossbeam	02
12- Foot	01
13- Left runner	03
14- Right runner	03
15- Drawer division	02
16- Door	03
17- Central Feet	02
18- Drawer front	03
19- Drawer left	03
20- Drawer right	03
21- Drawer back	03
22- Drawer base	03
23- Right drawer runner	03
24- Left drawer runner	03
25- Back panel	02
26- Large back panel	02
27- Back strut	01
28- Rail	02

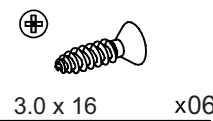
A



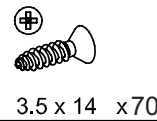
B



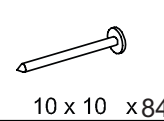
C



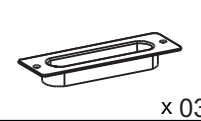
D



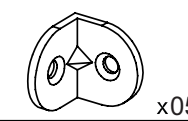
E



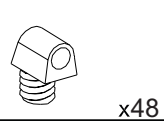
F



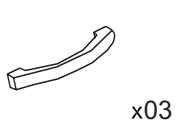
G



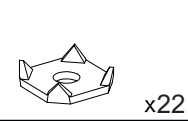
H



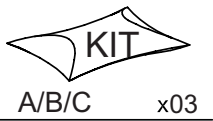
I



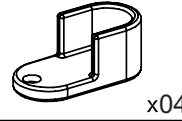
J



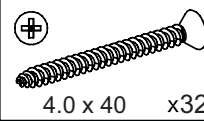
L



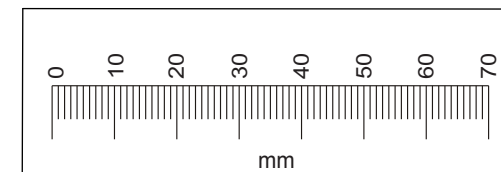
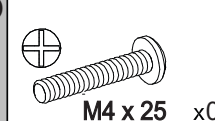
M



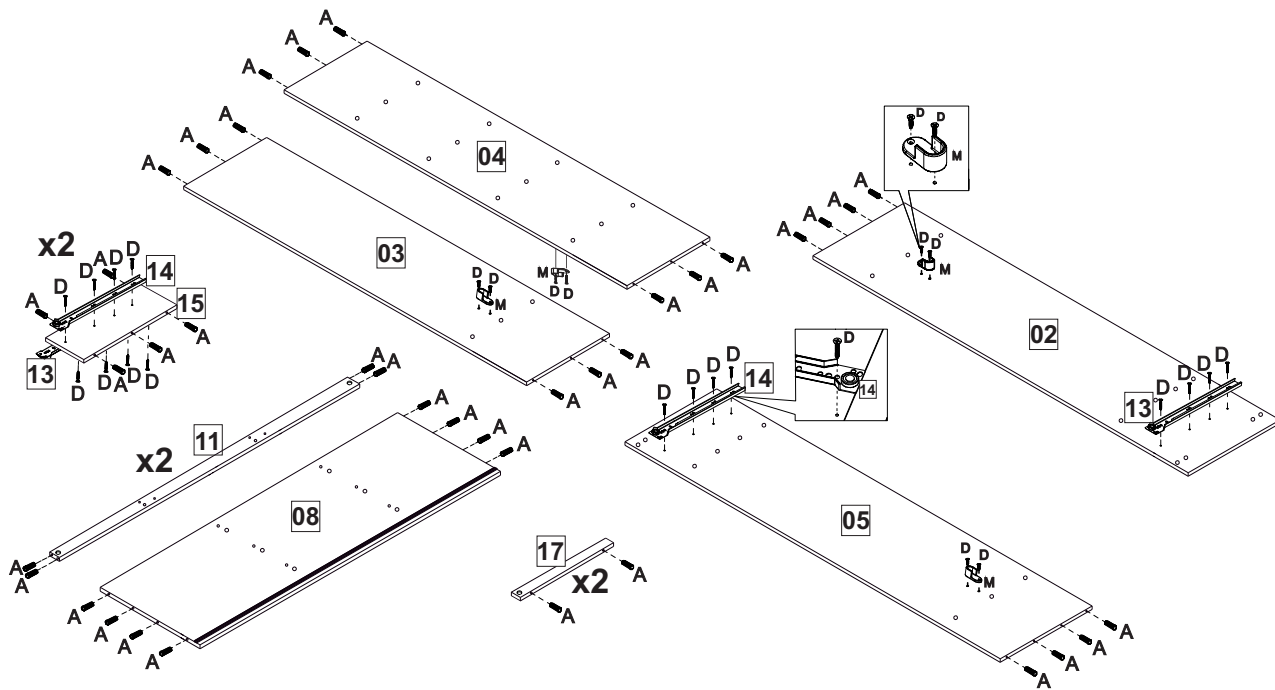
N



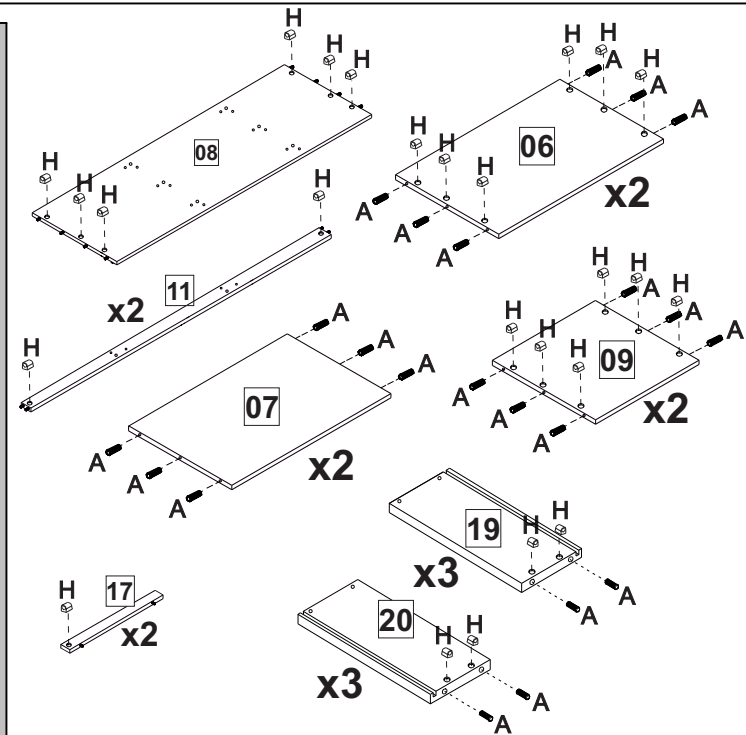
O



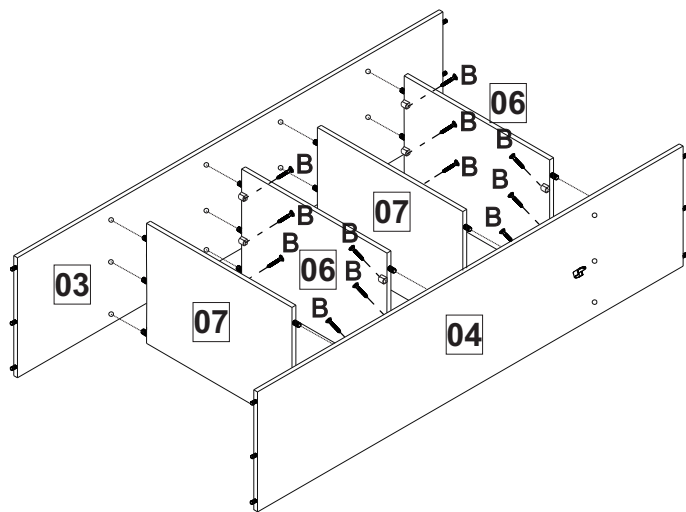
1



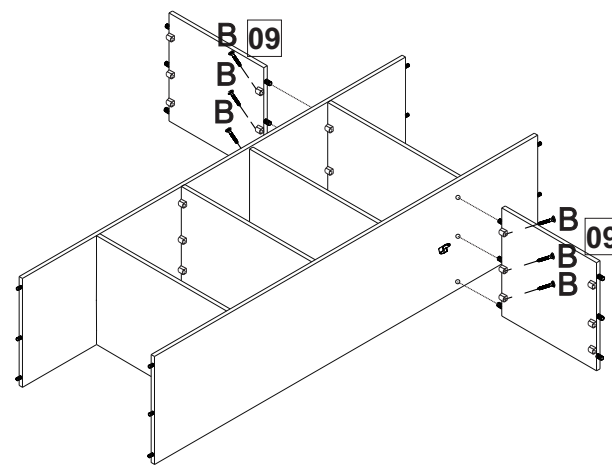
2



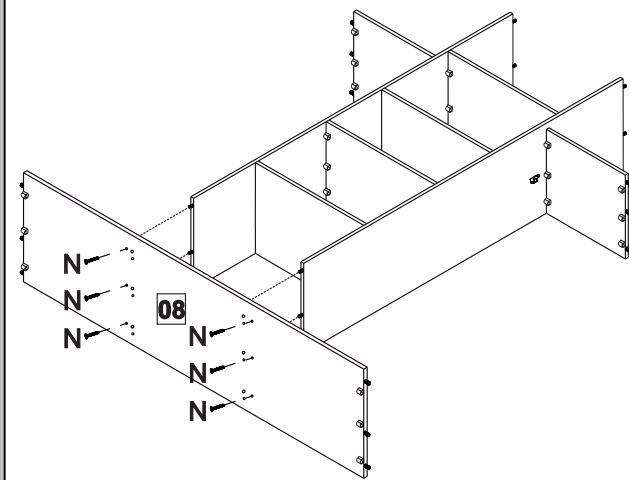
3



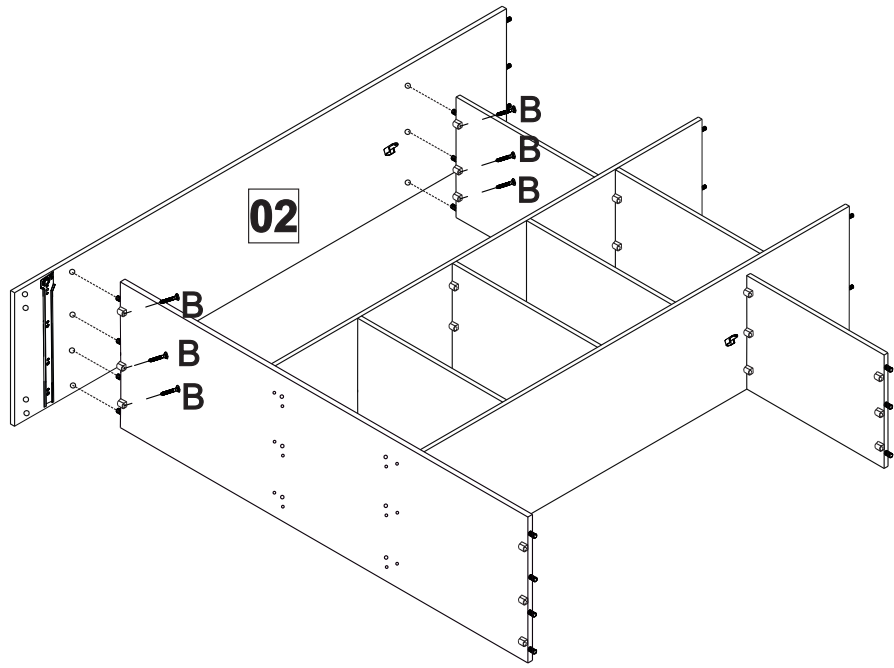
4



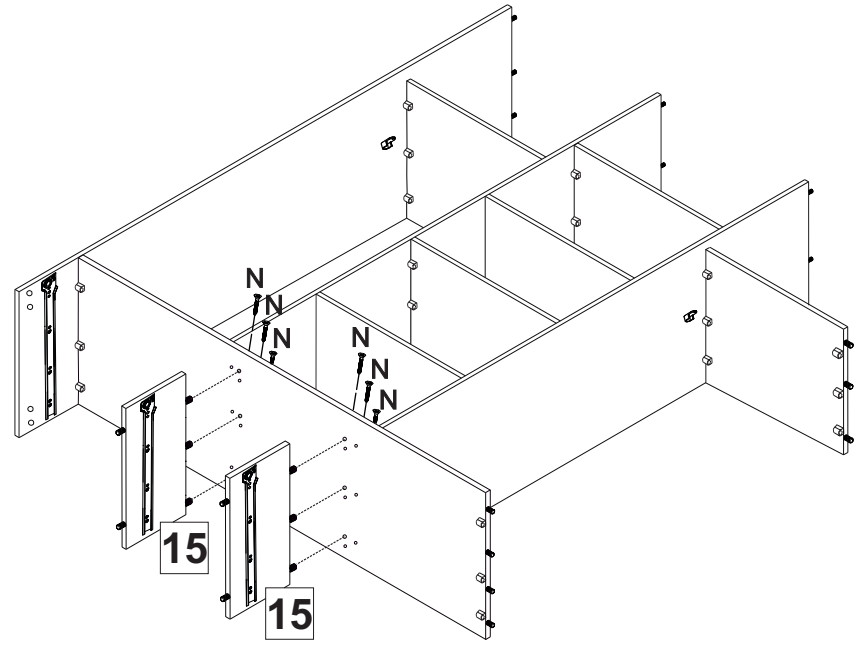
5



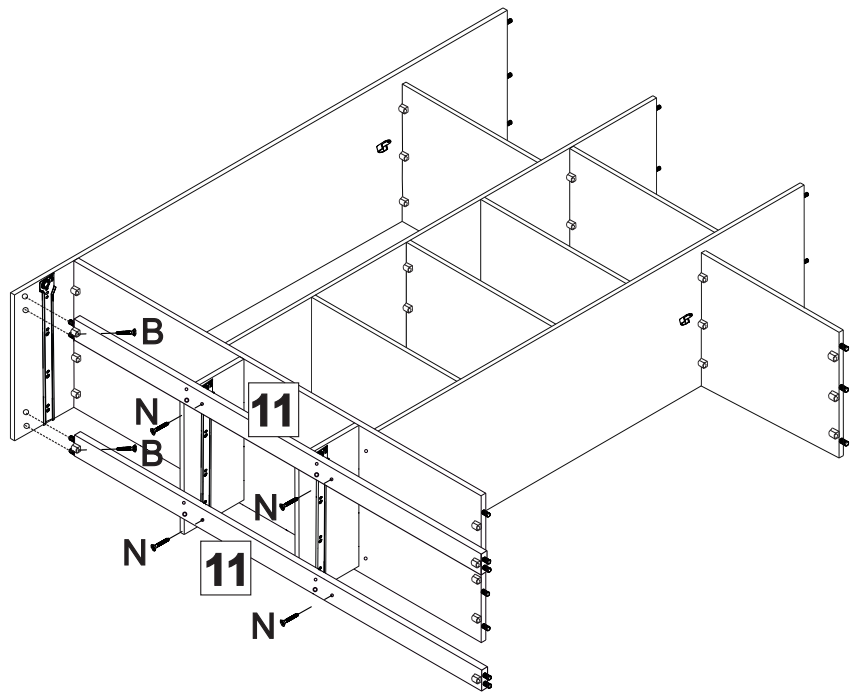
6



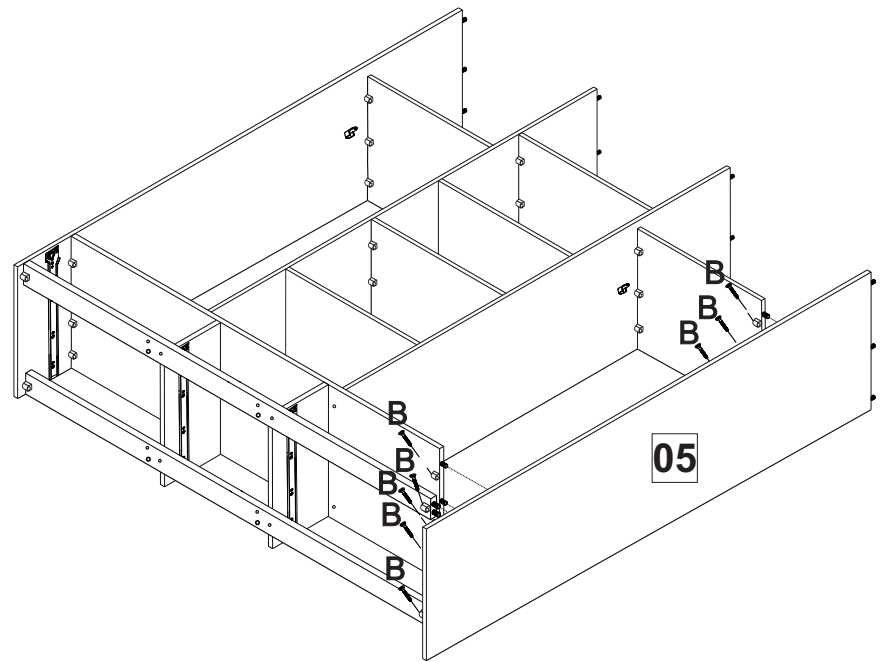
7



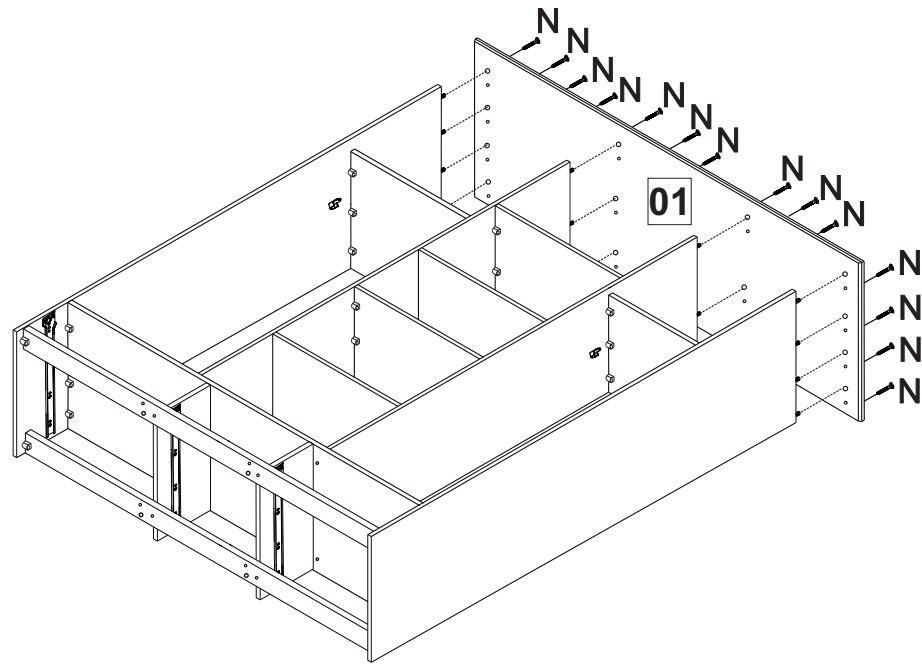
8



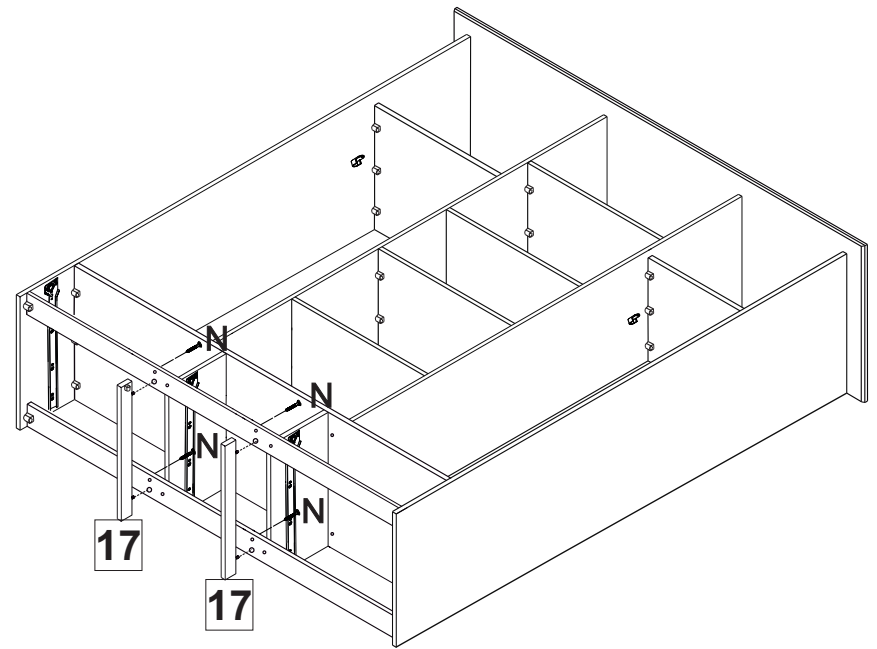
9



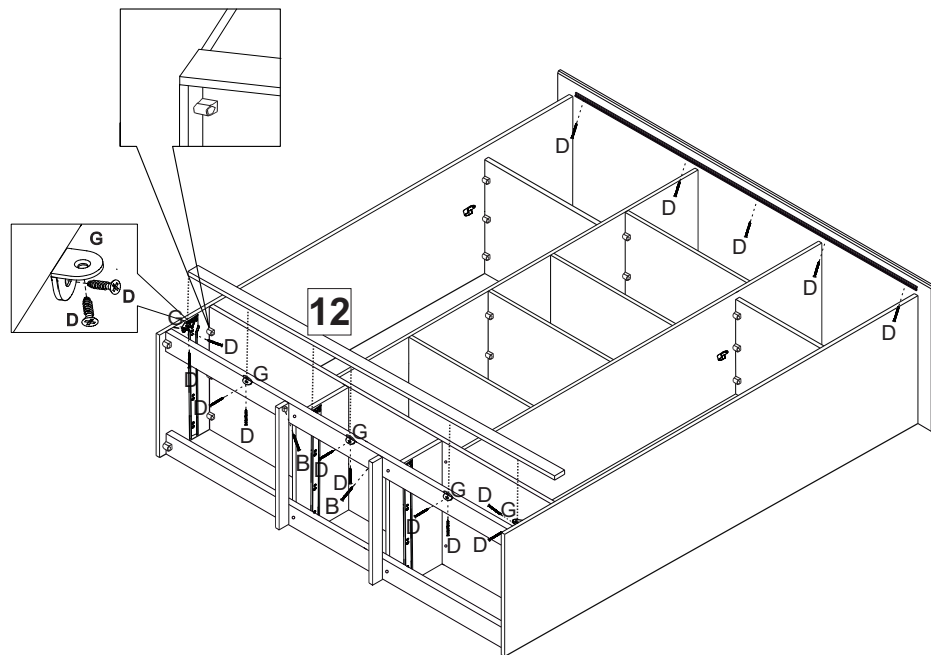
10



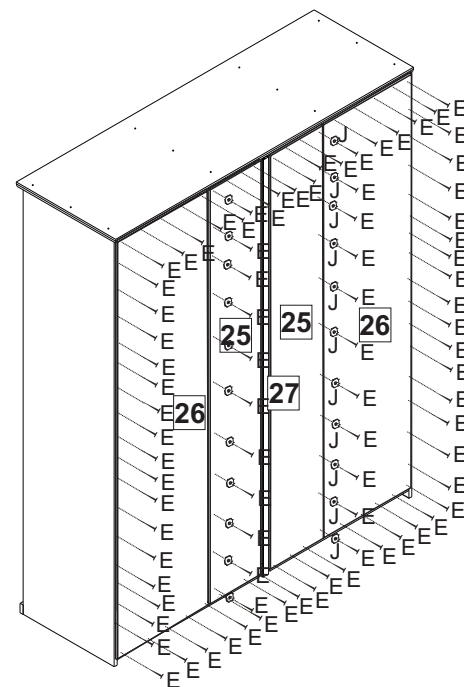
11



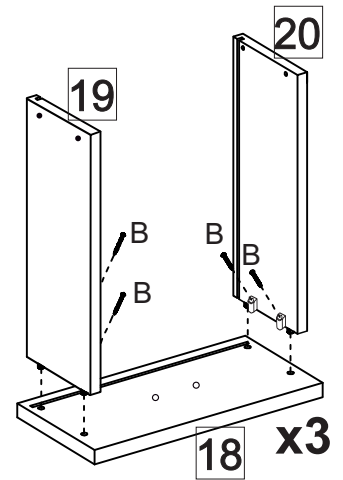
12



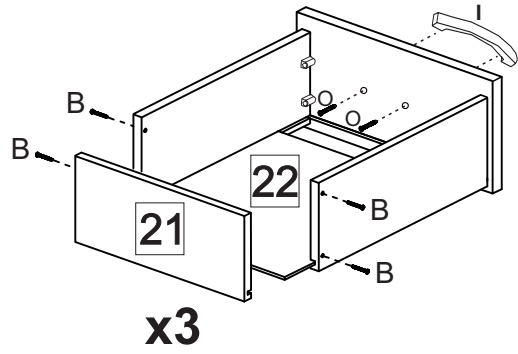
13



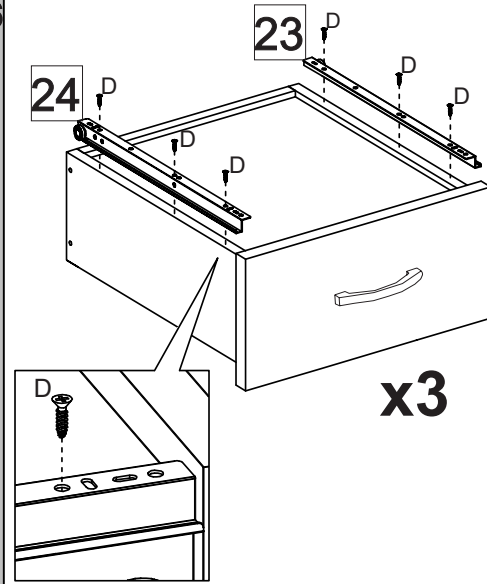
14



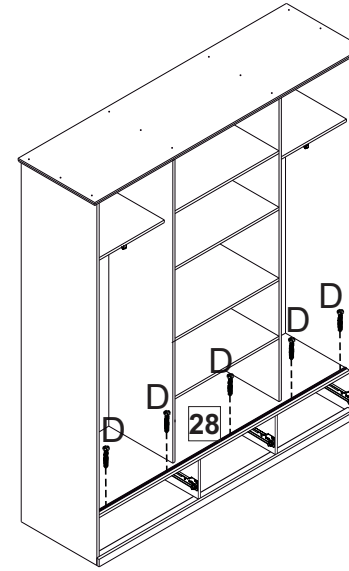
15



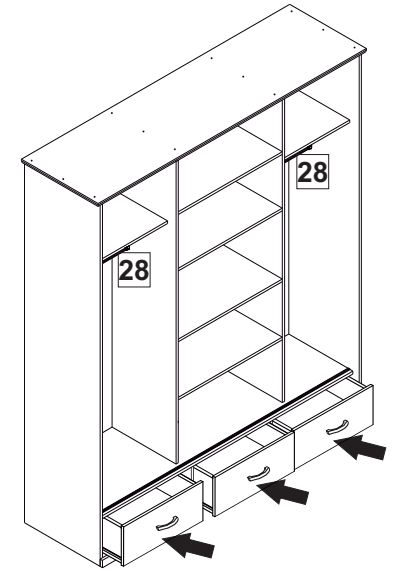
16



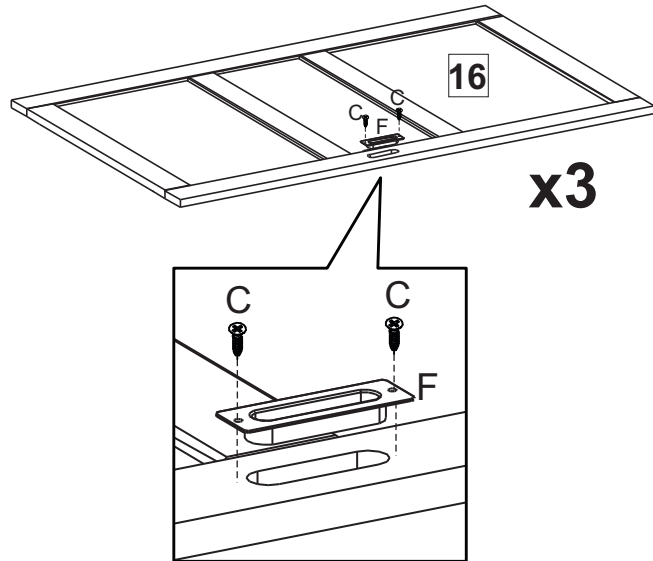
17



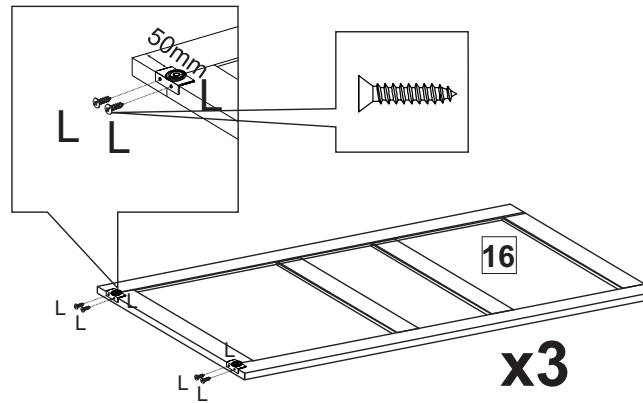
18



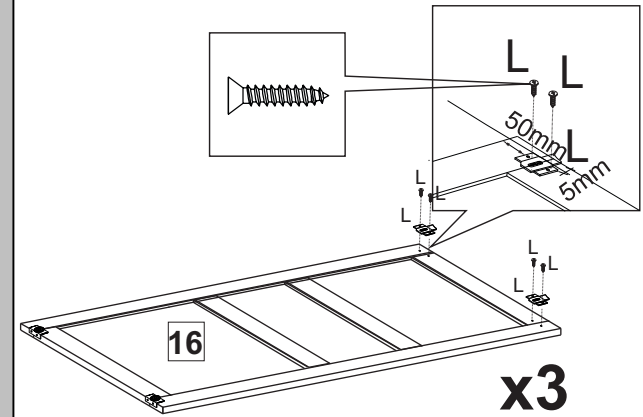
19



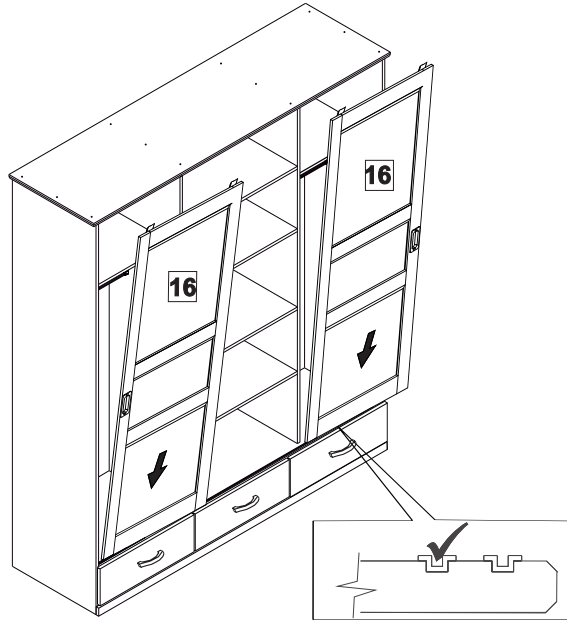
20



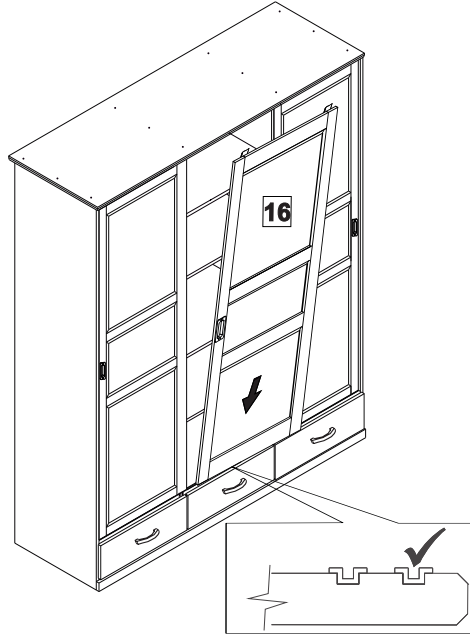
21



22



23



24

