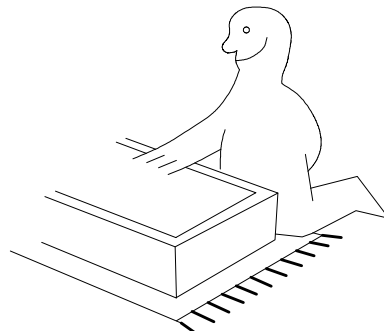
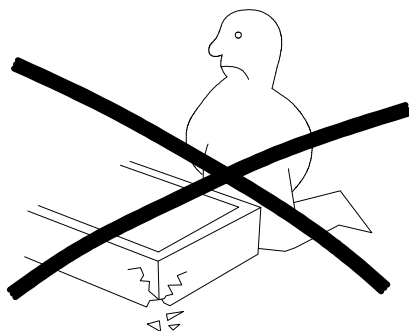
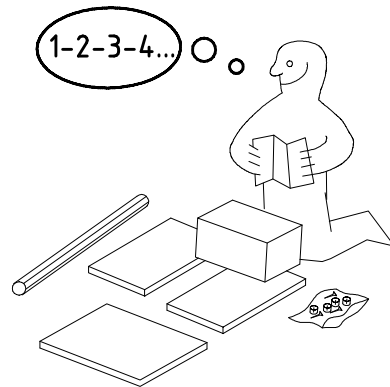
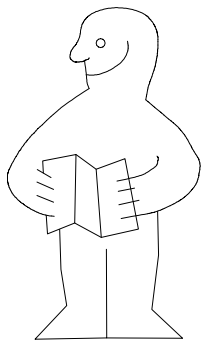
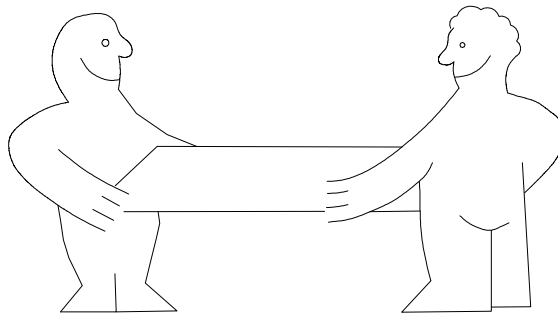
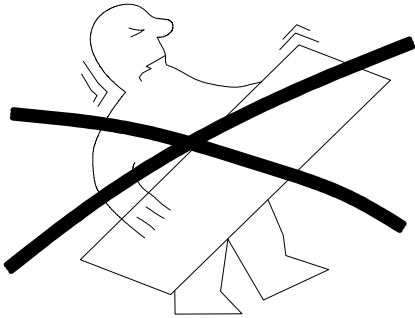
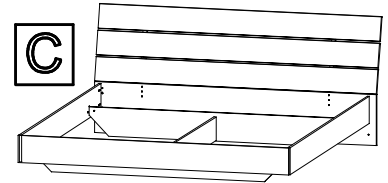
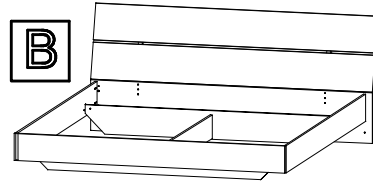
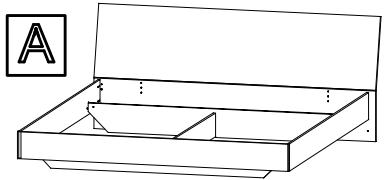
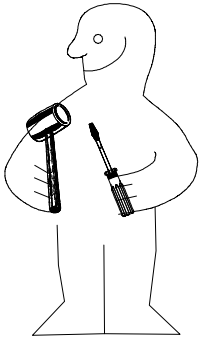

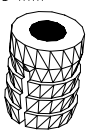
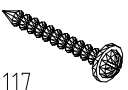
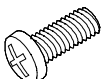
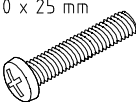
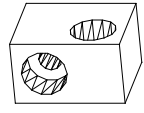
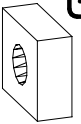
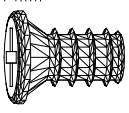
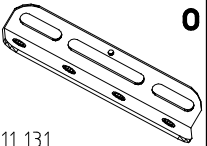


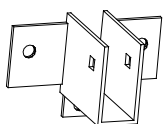
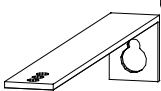
980418

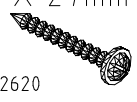


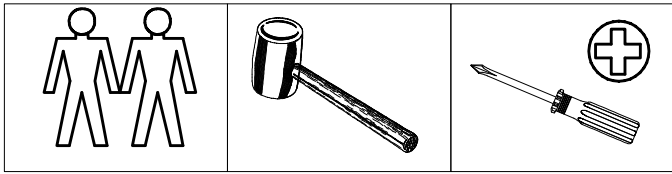
4,0 x 15 mm **G23** 20x

 121 110
 ∅ 10 x 13 mm **H** 9x

 111 112
 4 X 23 mm **SP23** 8x

 121117

6,0 x 12 mm **G4** 9x

 121 148
 5,0 x 25 mm **G5** 4x

 121 156

 111 066/074 **U** 4x

G6 4x

 121 150
 M6 x 11 mm **T** 12x

 112 055

 111 131 **o** 4x

o5 4x

 111133
o3 1x

 111 353

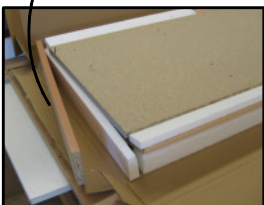
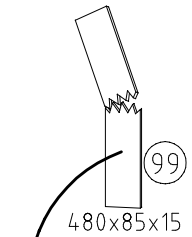
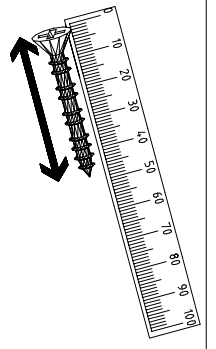
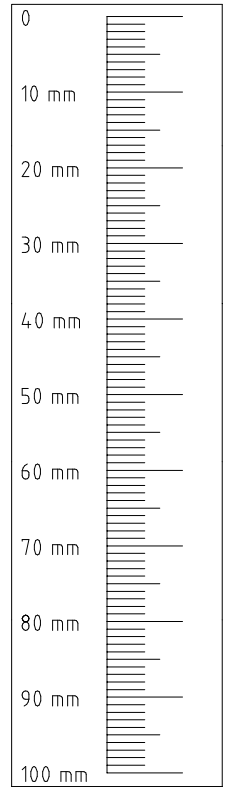
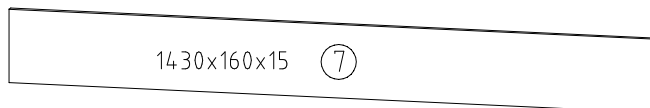
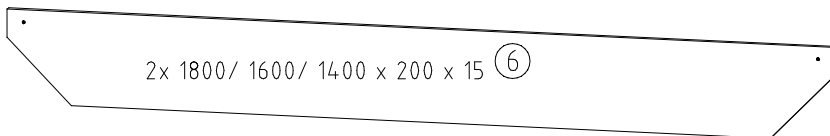
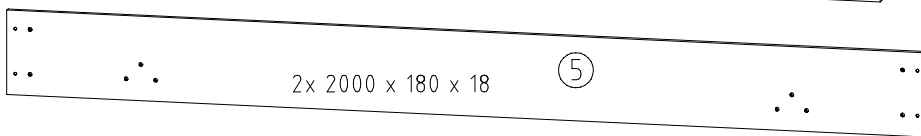
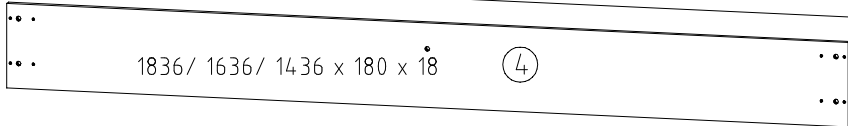
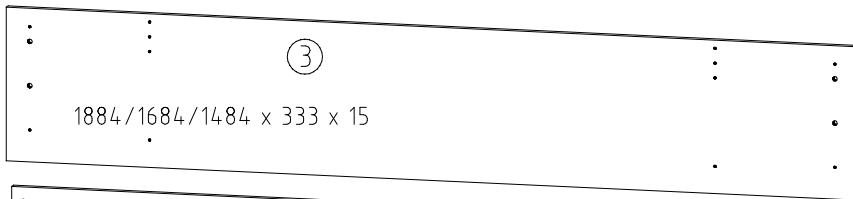
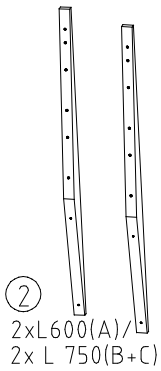
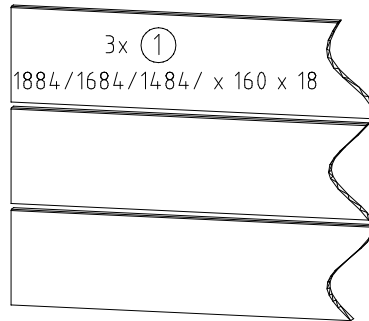
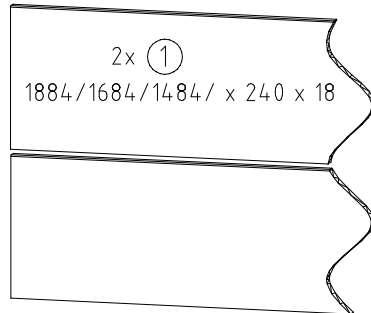
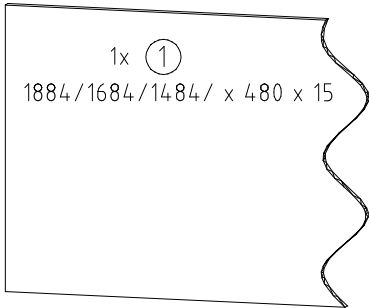
SP27 13x
 4 X 27mm

 122620
A
BC 19x



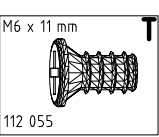
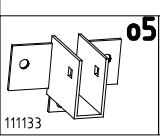
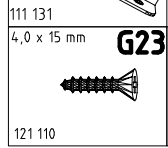
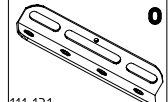
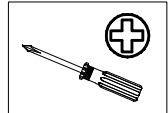
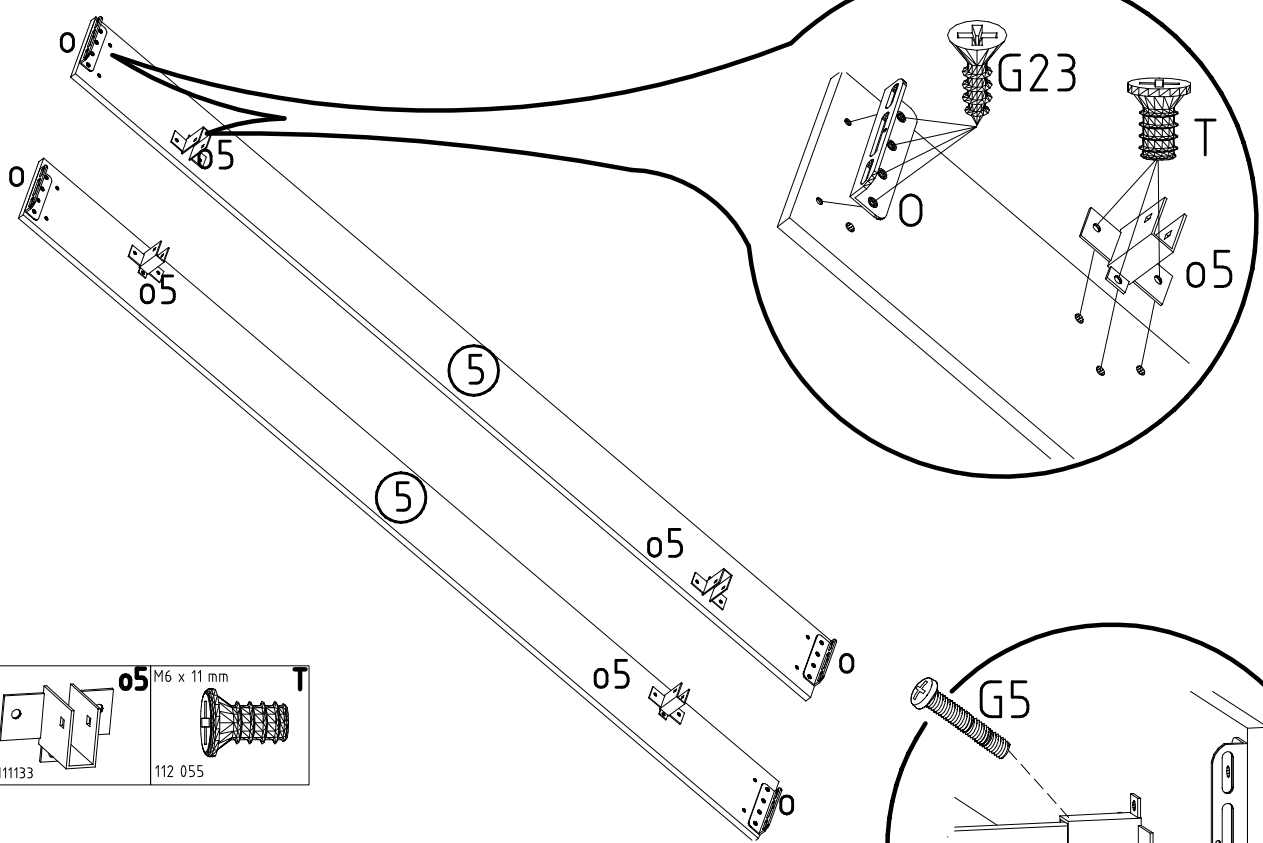
A

B

C



1

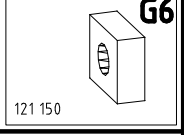
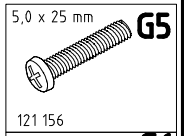
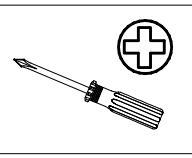
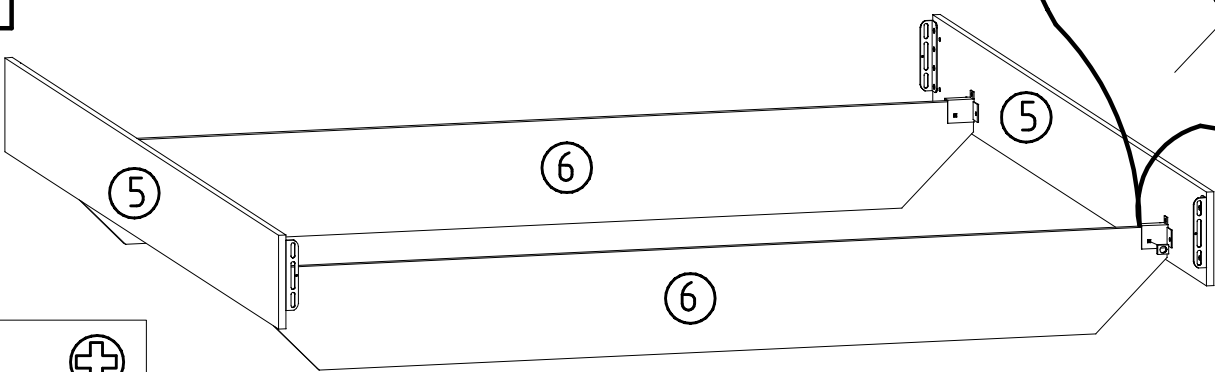


121 110

111133

112 055

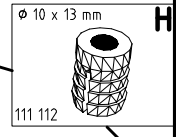
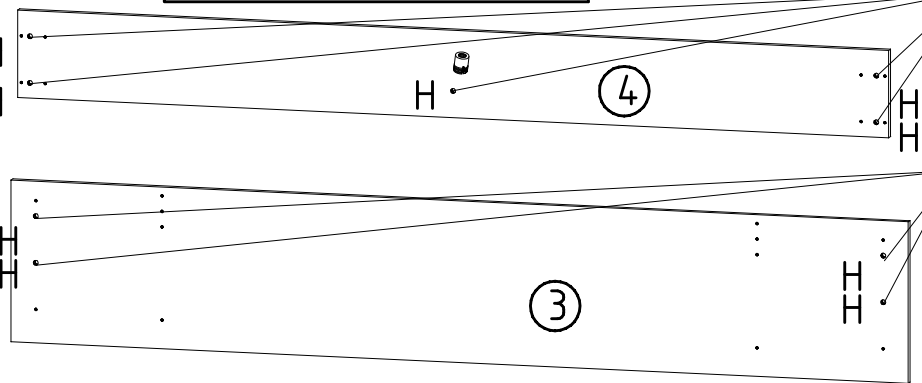
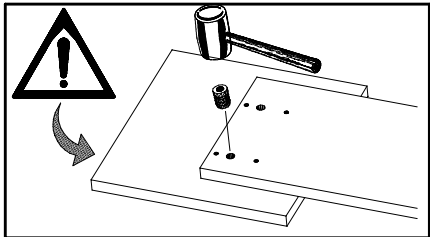
2



121 156


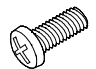
121 150

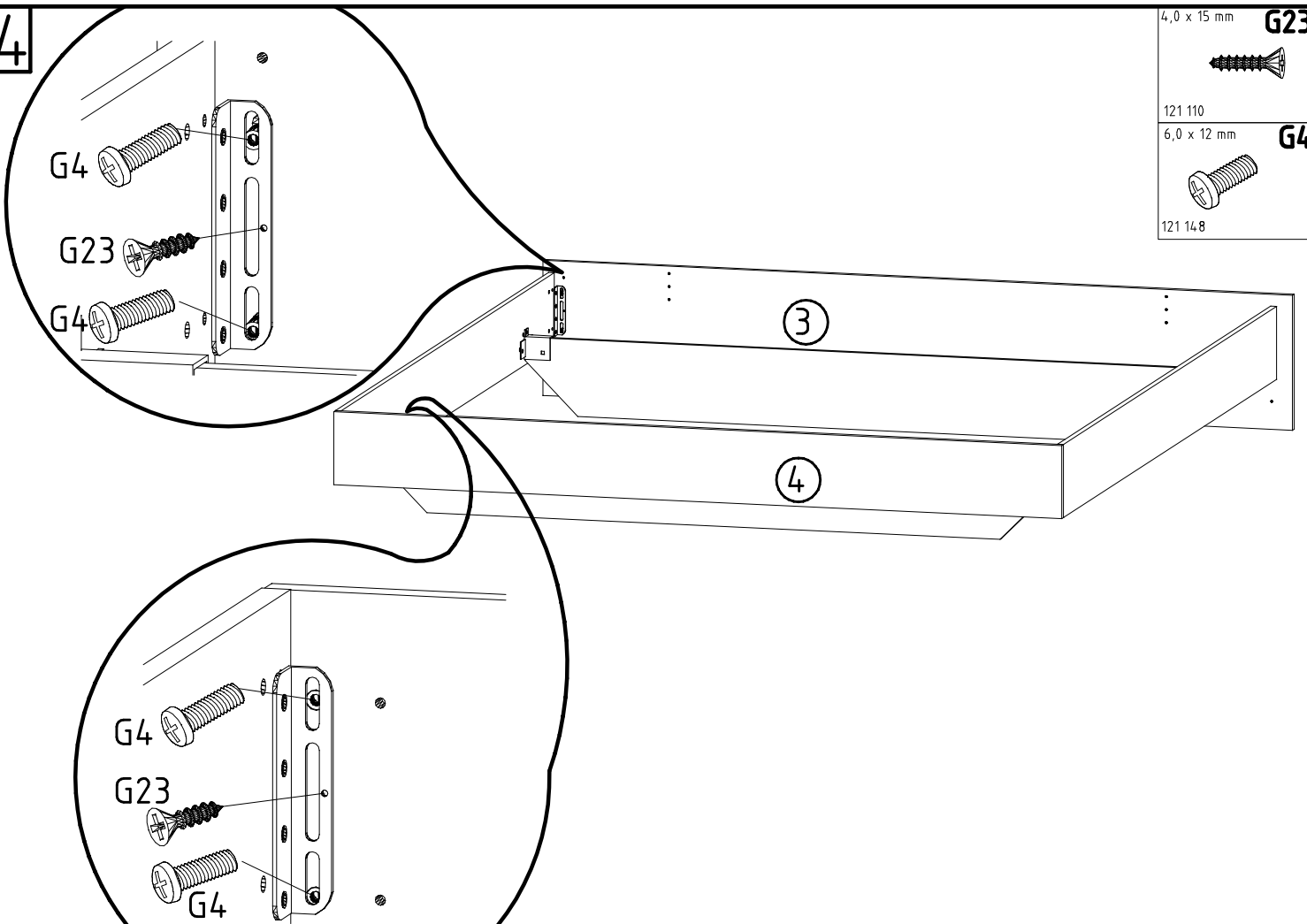
3



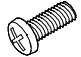
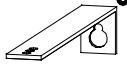
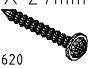
111 112

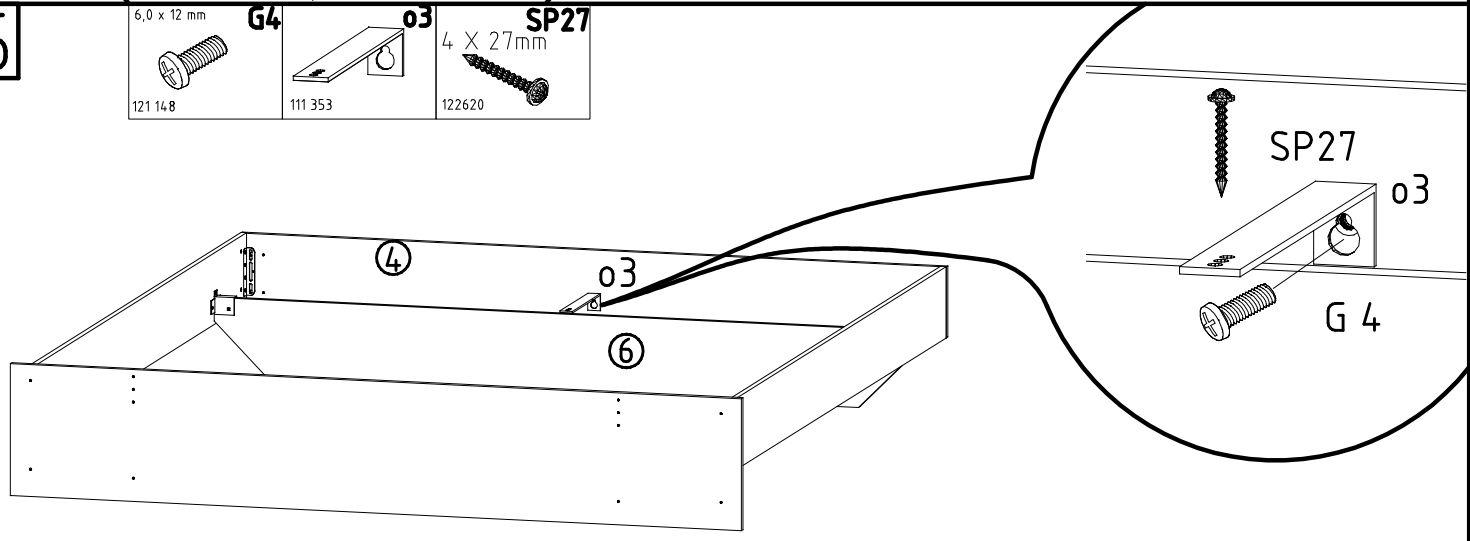
4

4,0 x 15 mm **G23**

 121 110
 6,0 x 12 mm **G4**

 121 14.8


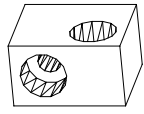


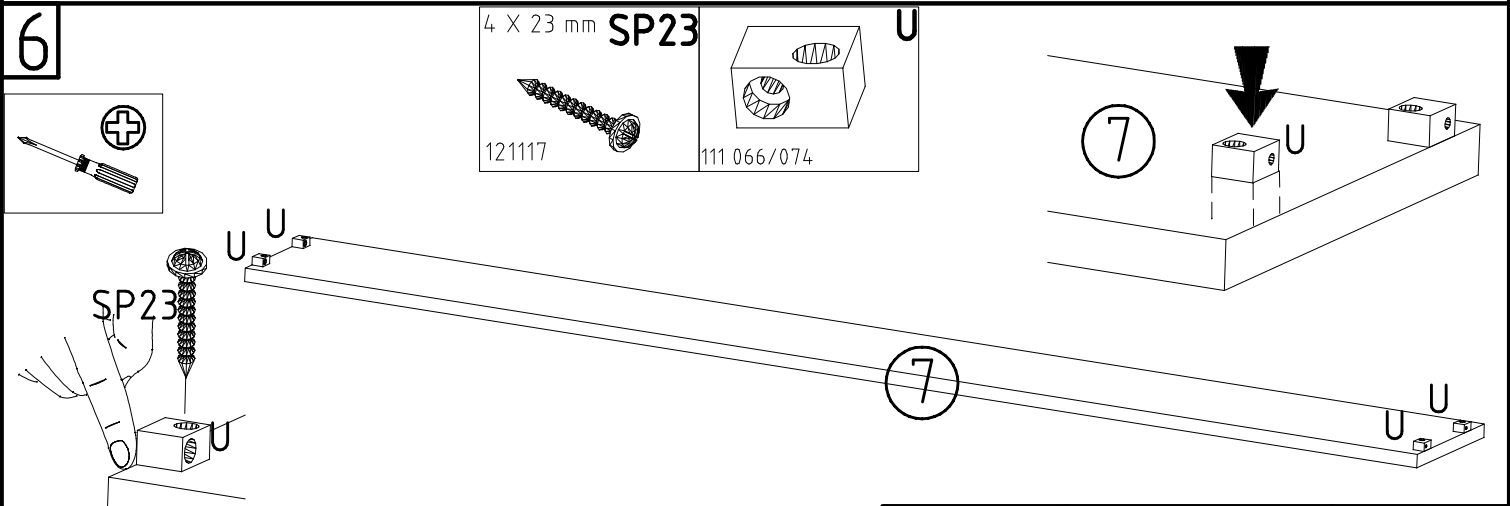
5

6,0 x 12 mm **G4**

 121 14.8
o3

 111 353
SP27
 4 x 27mm

 122620



6

4 X 23 mm **SP23**

 121117

 111 066/074
U

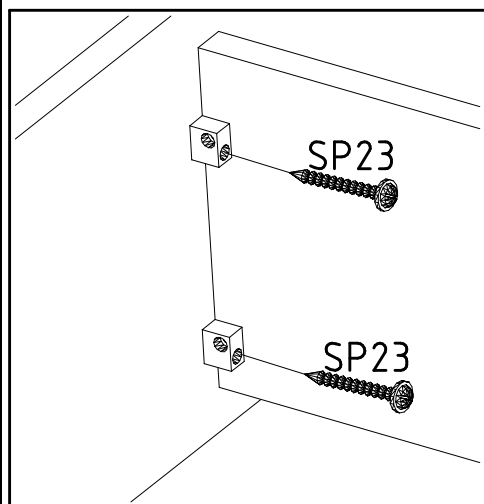
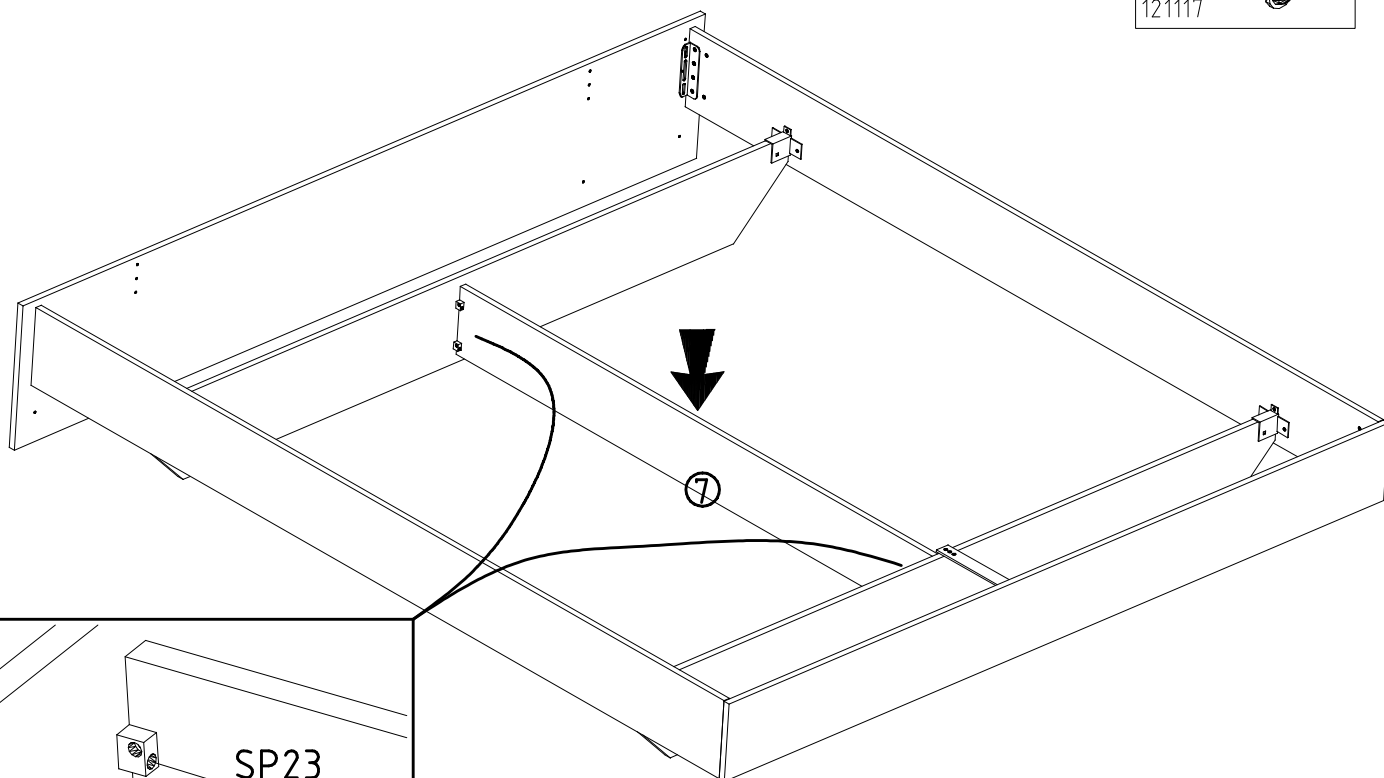


7

4 X 23 mm **SP23**

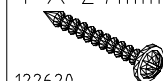


121117

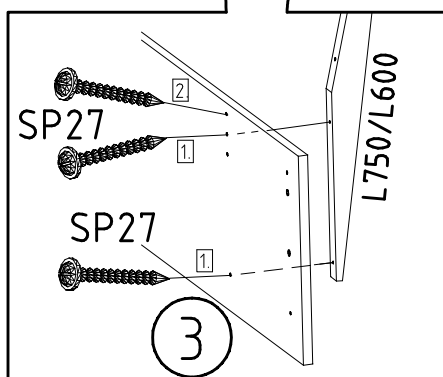
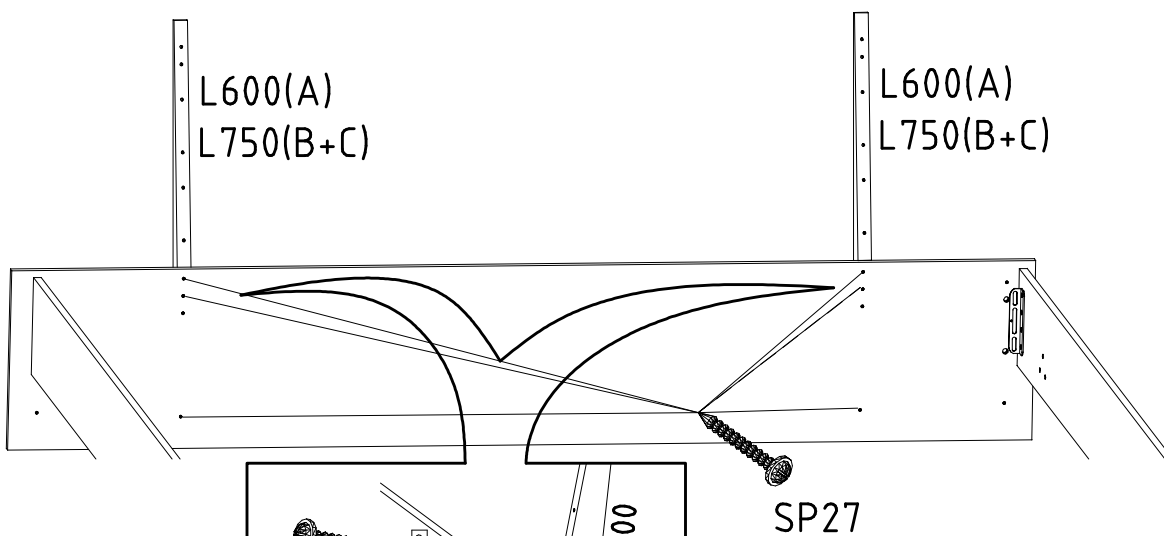


8

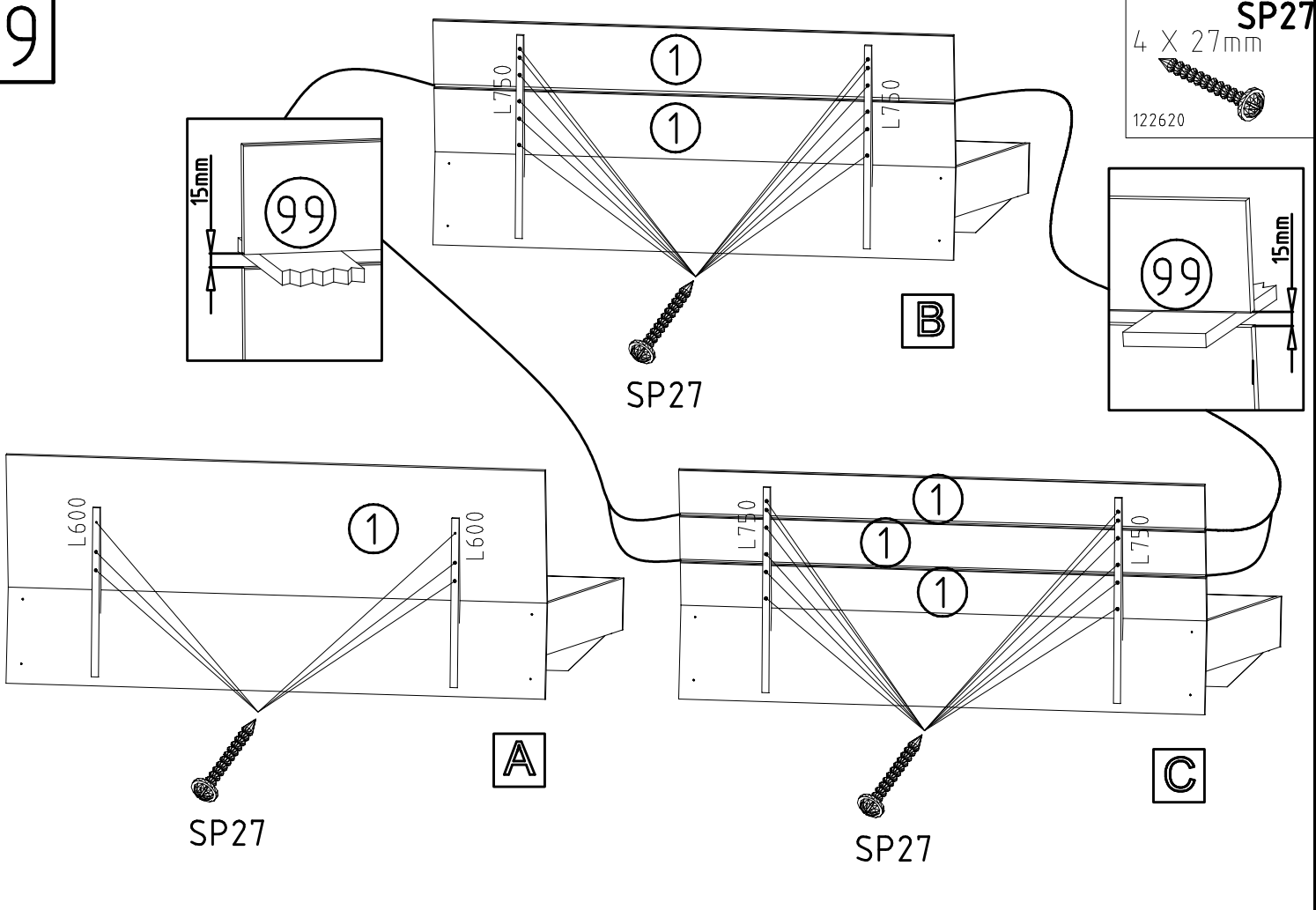
4 X 27mm **SP27**



122620



9



Modell/Model/Modèle

5

Illustrations showing a person thinking, a person reading a manual, and a person using a pencil and screwdriver. A box with a question mark is also shown.

(121 370)	(G 1)	(4x)

Anderungen die dem Technischen Fortschritt geschuldet sind behalten wir uns vor!
 WIMEX Wohnbedarf/ Import Export Handels GmbH/ Postfach 14.07/ 49112 Georgsmarienhütte/ Germany
 Tel.:(+49) 054.01.8598 16/17 Fax.:(+49) 054.01.8598 33 Mail: info@wimex-wohbedarf.de