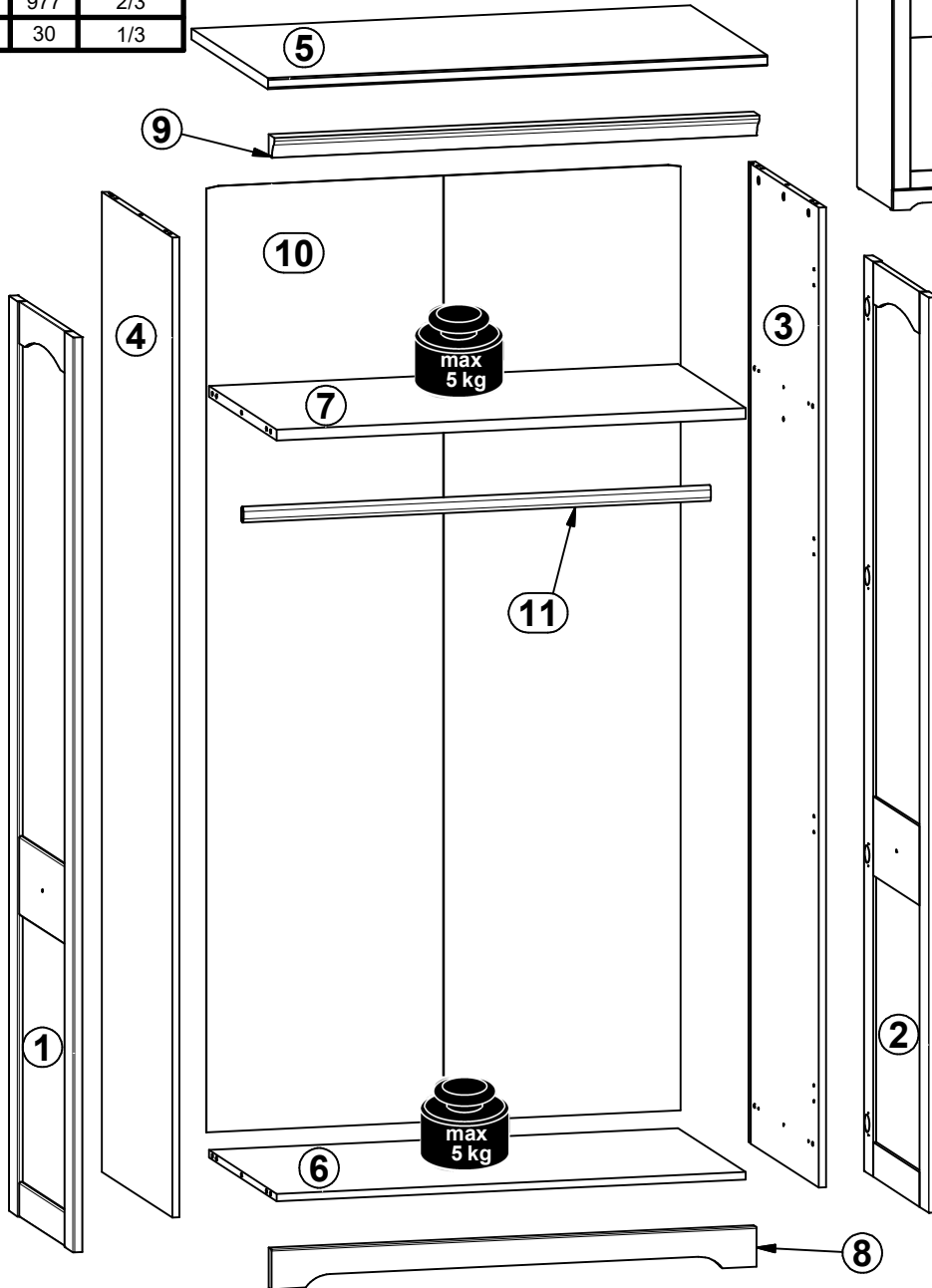
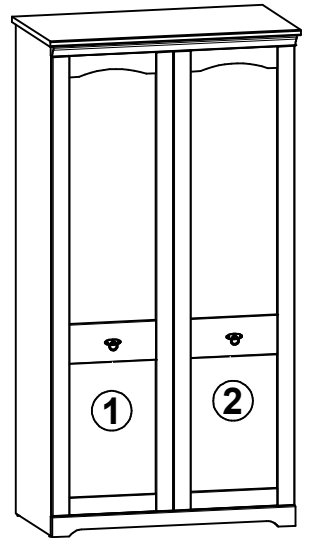
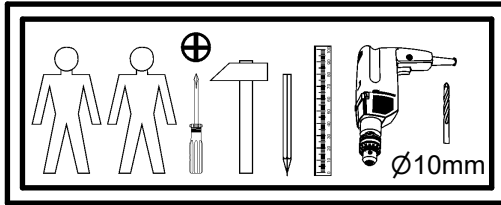
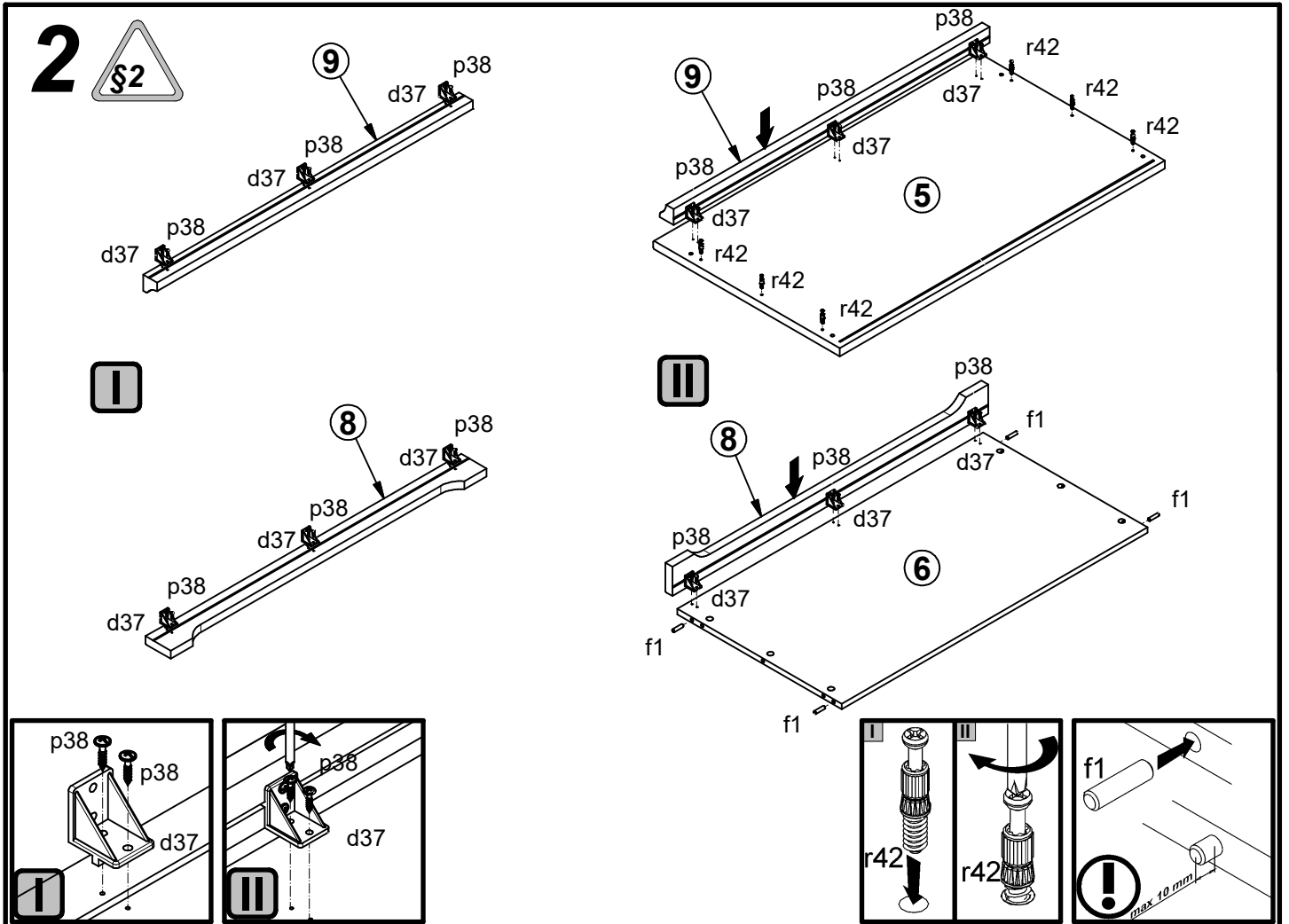
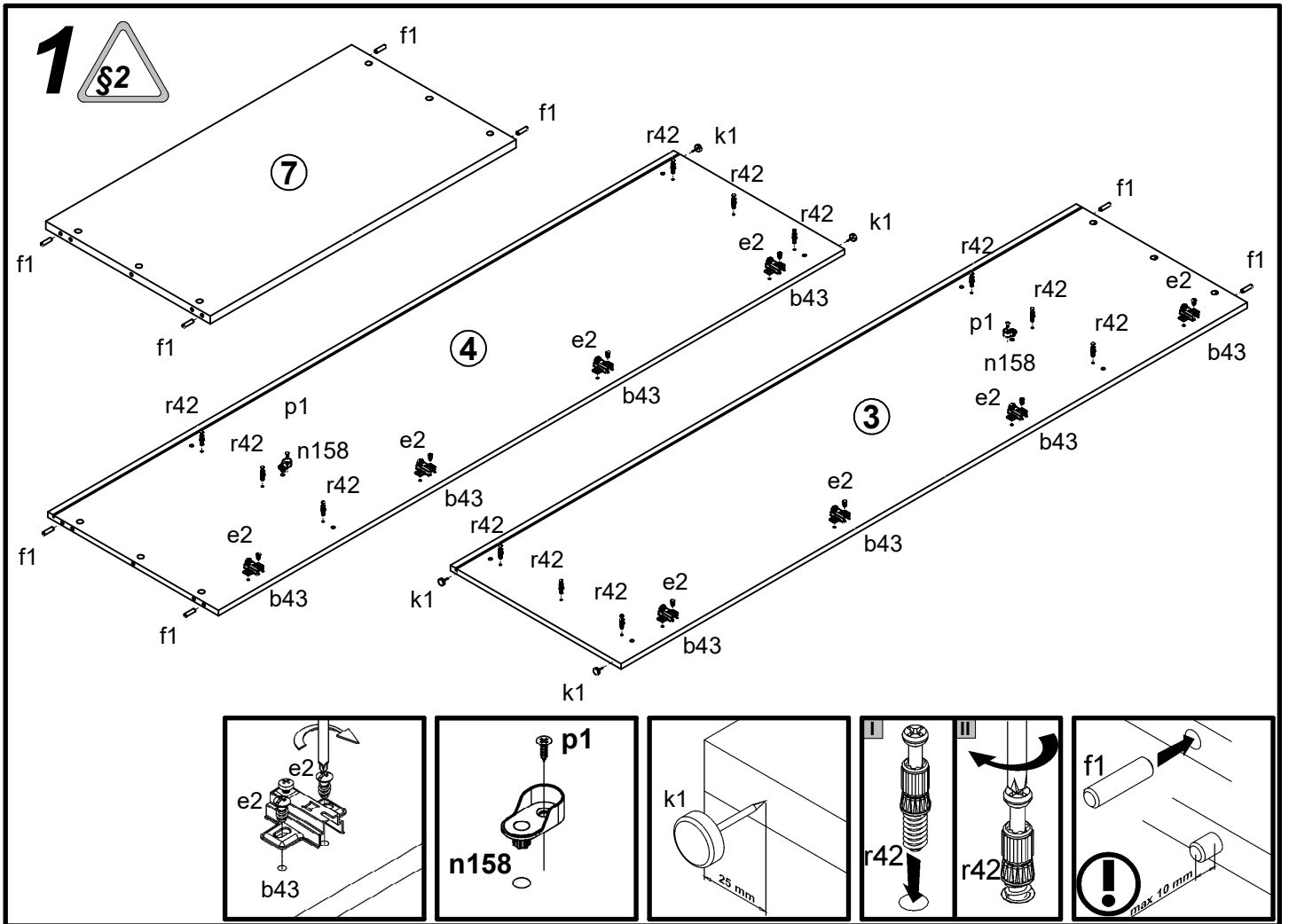


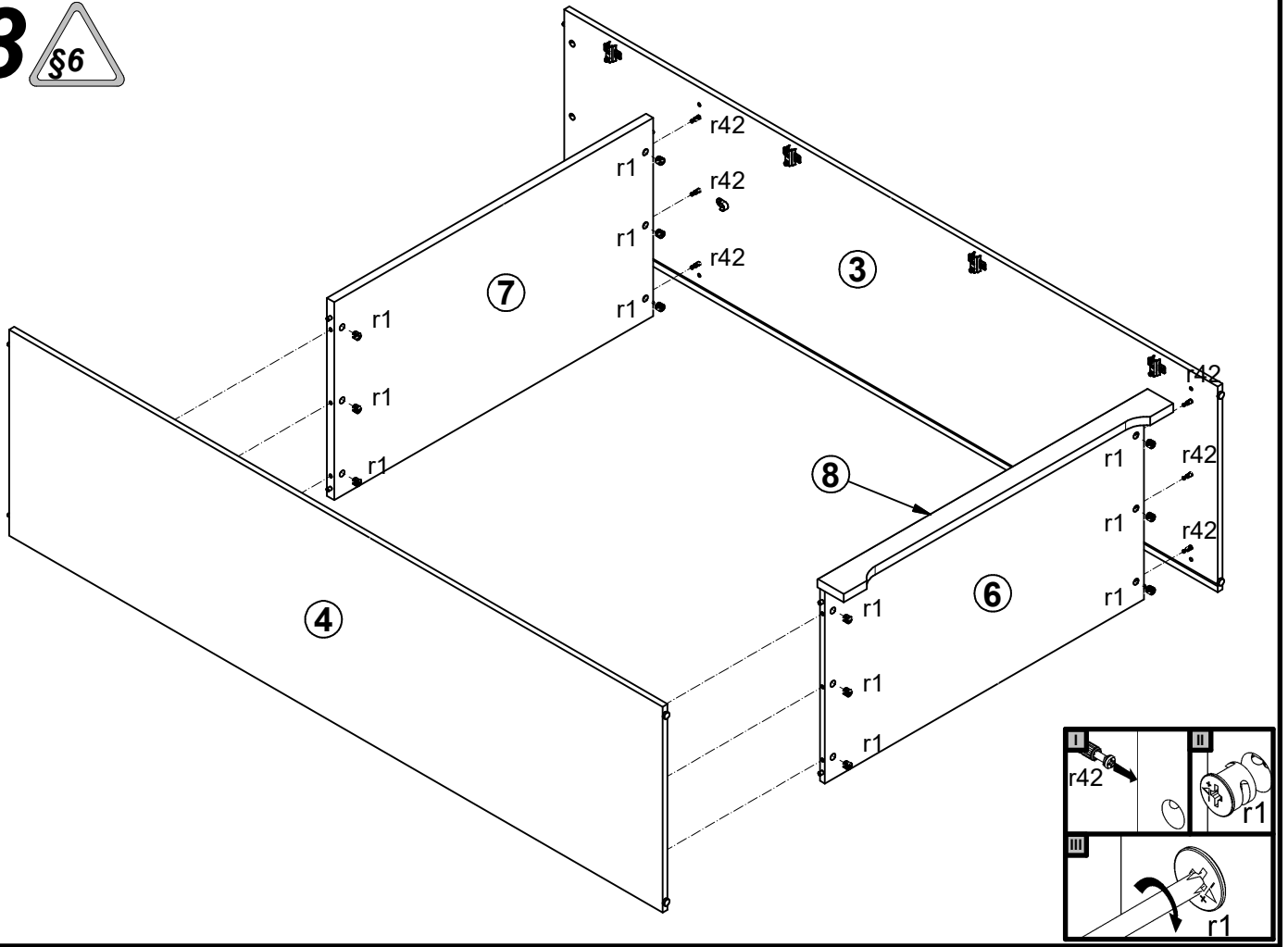
A	B	C	D
1	S405-0010	1849	496 3/3
2	S405-0011	1849	496 3/3
3	S405-1012	1980	540 2/3
4	S405-1013	1980	540 2/3
5	S405-2004	1029	590 1/3
6	S405-3008	967	520 1/3
7	S405-3009	967	520 1/3
8	S405-5008	999	80 1/3
9	S405-5009	999	44 1/3
10	S405-9305	1911	977 2/3
11	dr-963	963,	30 1/3



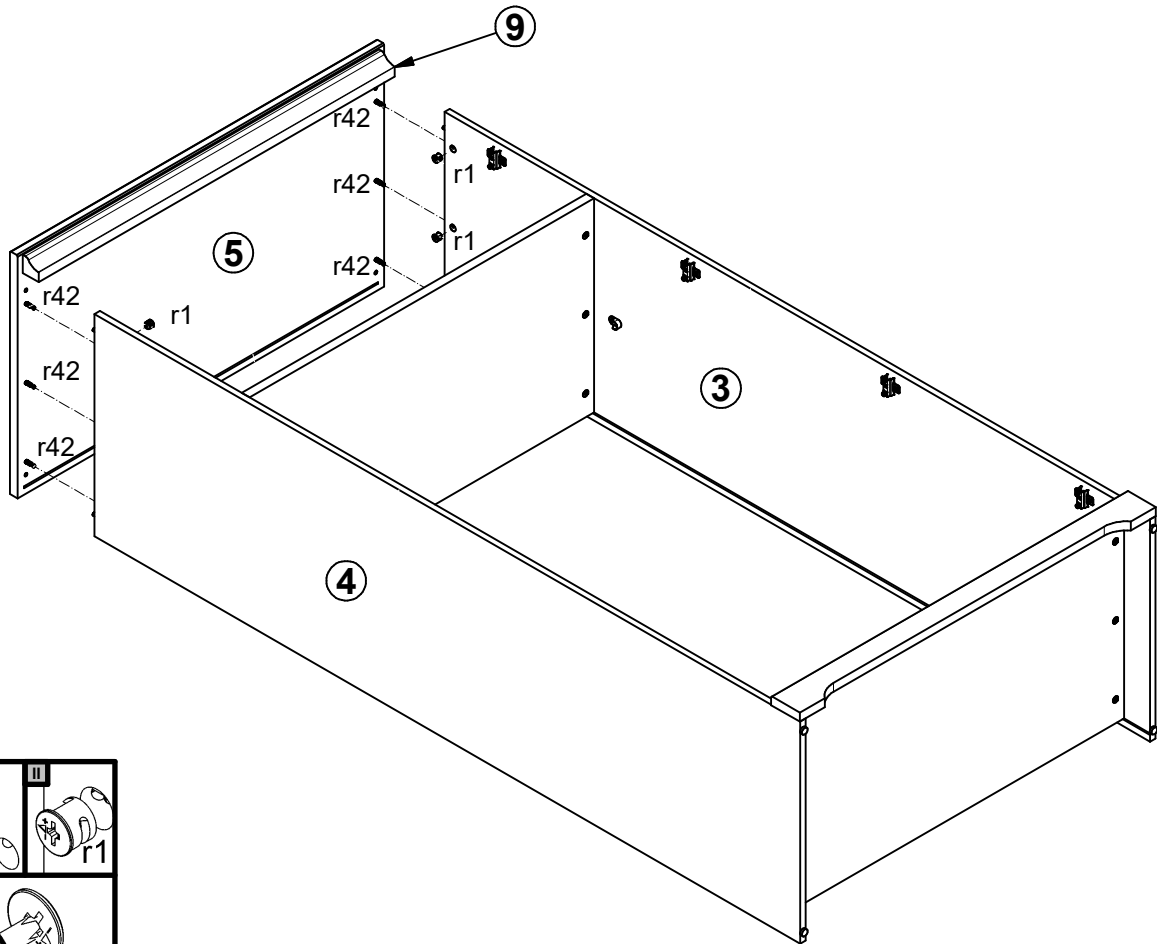
4x a133	8x a158	8x b43	2x c477.1	2x c477.2	6x d37	16x e2	12x f1	2x j30	
4x k1	20x l1	16x l2	2x n158	2x p1	24x p38	16x p51	18x r1	18x r42	
6x s2								1x n26.1	1x p38



3 

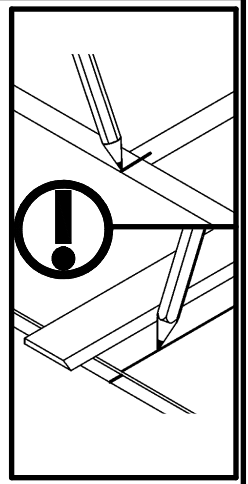
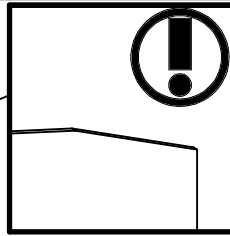
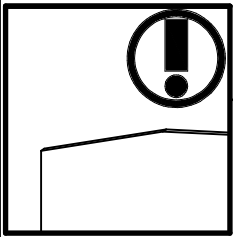
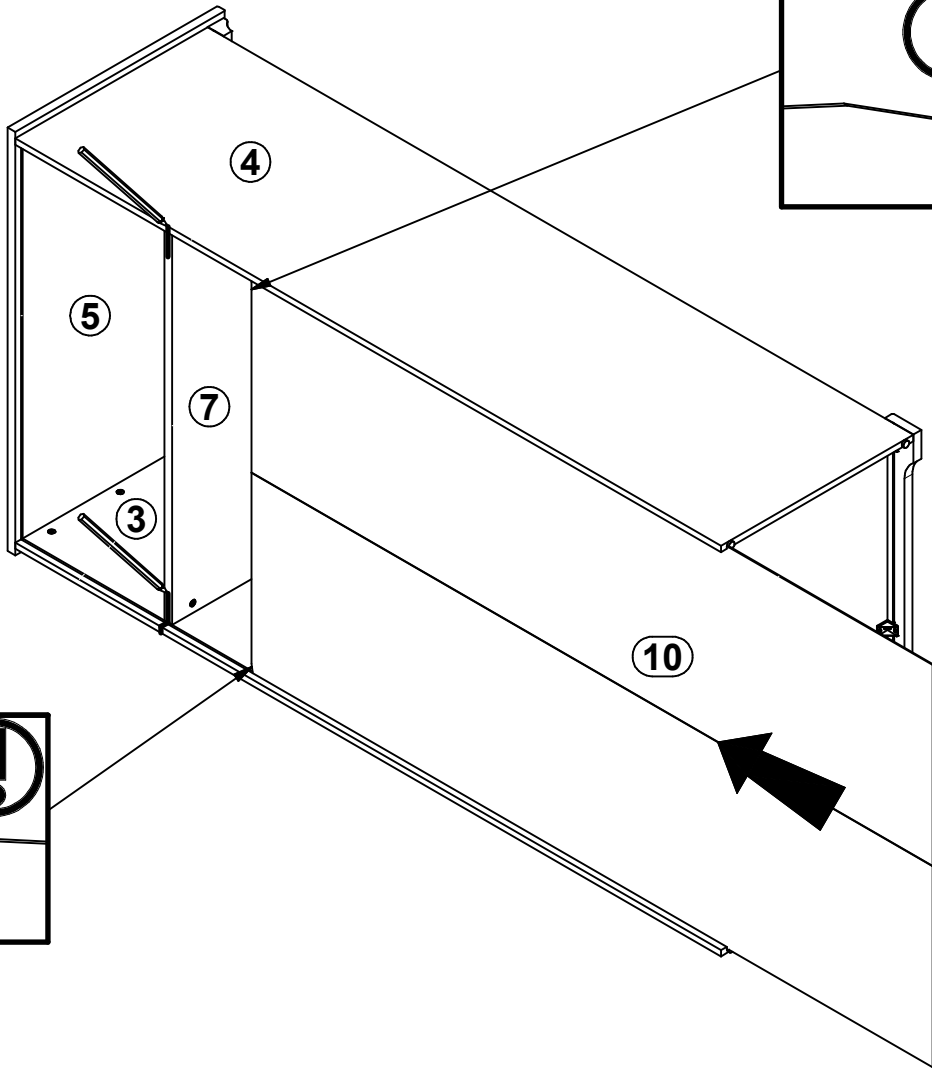


4

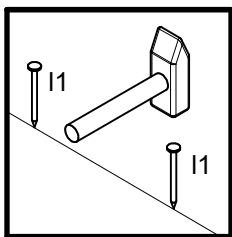
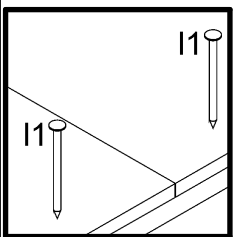
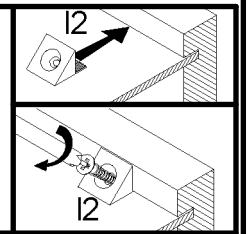
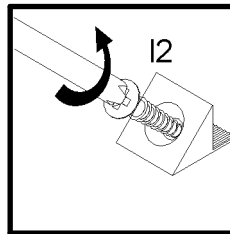
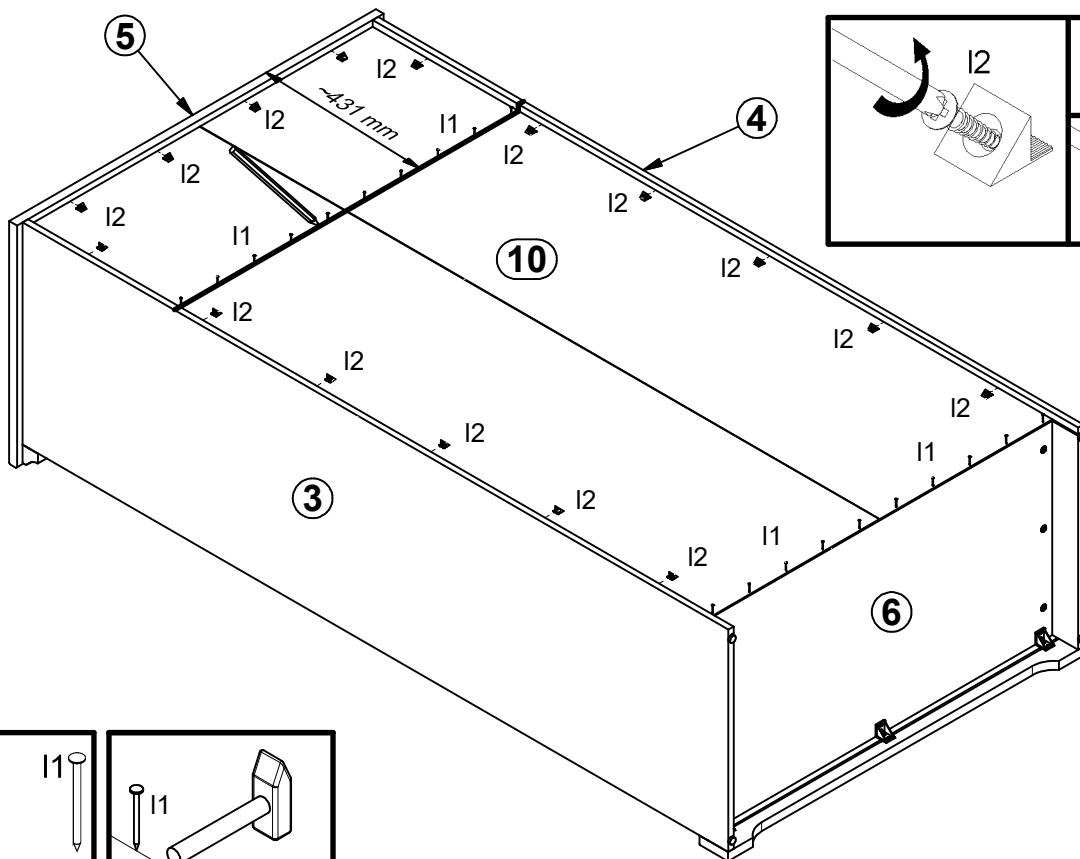


5

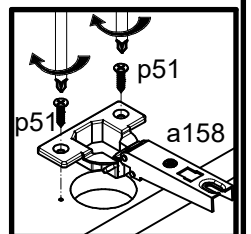
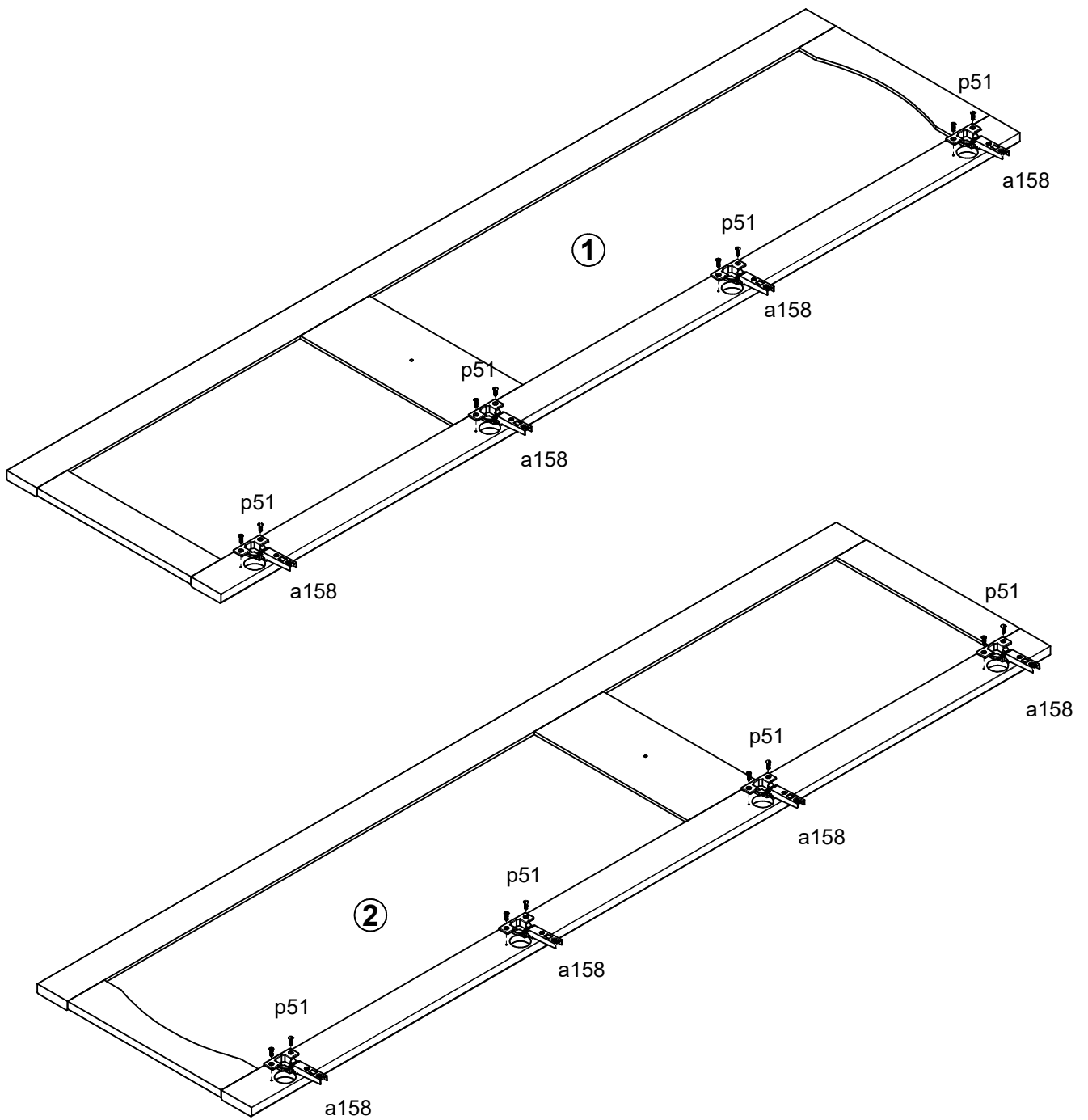
I



II



6



7

