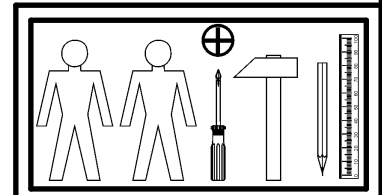
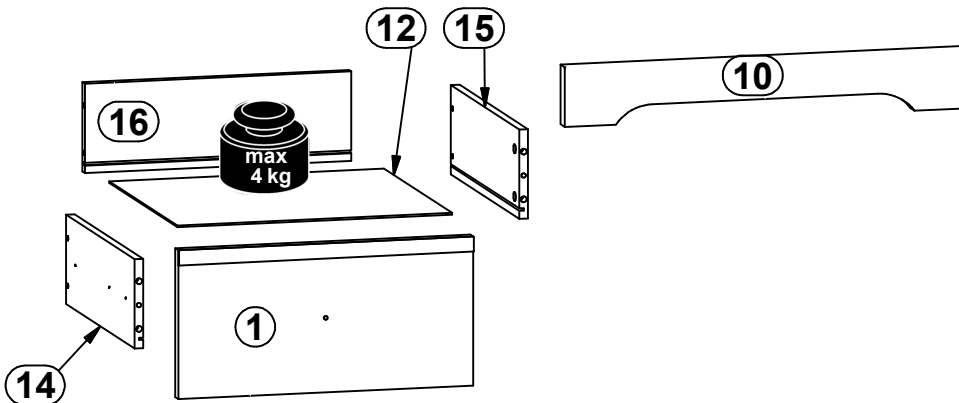
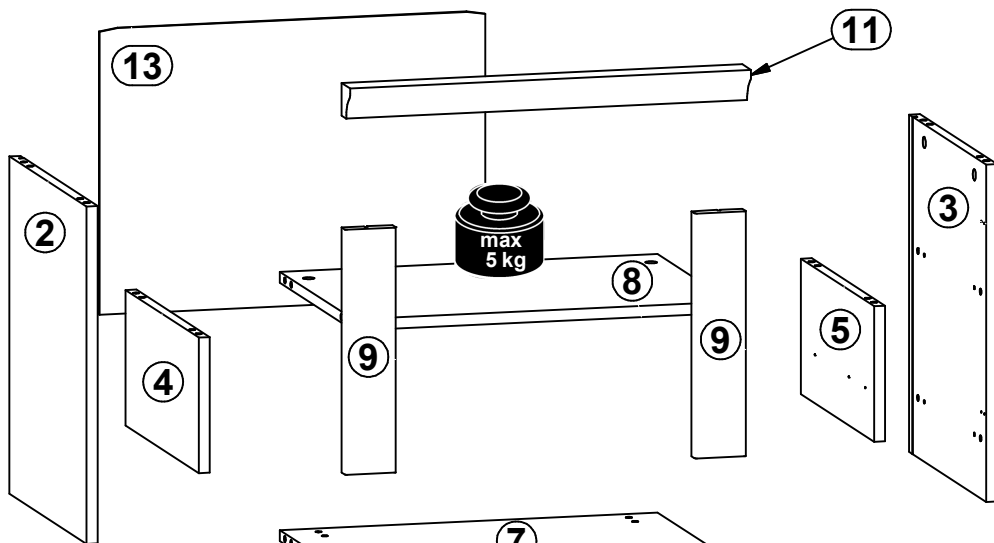
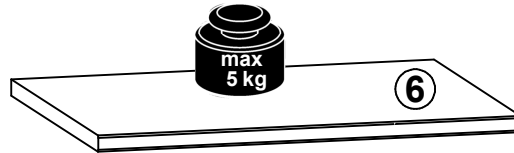
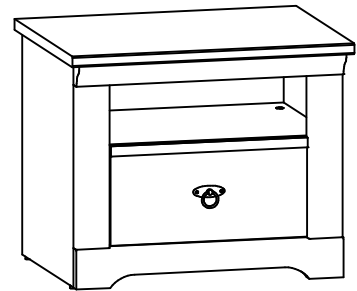


| A  | B         | C   | D   |     |
|----|-----------|-----|-----|-----|
| 1  | S405-0024 | 404 | 200 | 1/1 |
| 2  | S405-1018 | 453 | 395 | 1/1 |
| 3  | S405-1019 | 453 | 395 | 1/1 |
| 4  | S405-1020 | 182 | 375 | 1/1 |
| 5  | S405-1021 | 182 | 375 | 1/1 |
| 6  | S405-2010 | 579 | 445 | 1/1 |
| 7  | S405-3028 | 517 | 375 | 1/1 |
| 8  | S405-3029 | 517 | 375 | 1/1 |
| 9  | S405-5013 | 329 | 70  | 1/1 |
| 10 | S405-5020 | 549 | 80  | 1/1 |
| 11 | S405-5021 | 549 | 44  | 1/1 |
| 12 | S405-9014 | 376 | 348 | 1/1 |
| 13 | S405-9015 | 384 | 528 | 1/1 |
| 14 | ZK1-503   | 350 | 120 | 1/1 |
| 15 | ZK1-504   | 350 | 120 | 1/1 |
| 16 | ZS4-5527  | 365 | 120 | 1/1 |

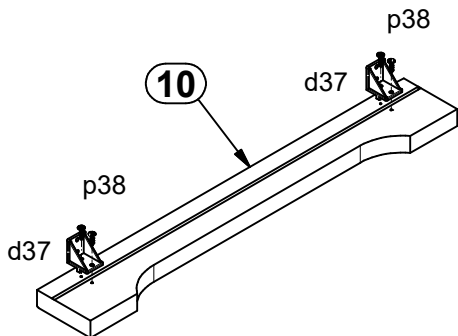
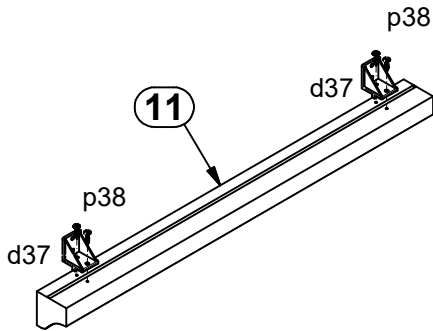
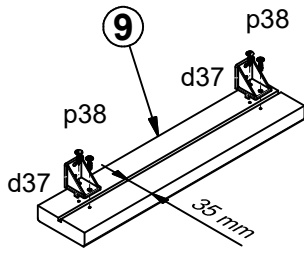
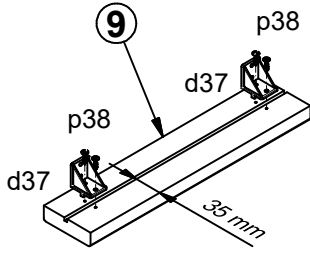


|                  |                            |                           |                             |                               |                       |                             |                             |                        |
|------------------|----------------------------|---------------------------|-----------------------------|-------------------------------|-----------------------|-----------------------------|-----------------------------|------------------------|
| 1x<br><br>c477/1 | 1x<br><br>c477/2           | 8x<br><br>d37             | 28x<br><br>Ø8x30 mm f1      | 4x<br><br>Ø6.5x40 mm f25      | 2x<br><br>Ø6x30 mm f9 | 1x<br><br>M4x20 mm j1       | 4x<br><br>k1                | 5x<br><br>1.4x20 mm l1 |
| 4x<br><br>i2     | 12x<br><br>Ø3.5x12 mm p140 | 32x<br><br>Ø3.5x16 mm p38 | 12x<br><br>Ø15x12 mm #16 r1 | 4x<br><br>Ø12x10.5 mm #12 r15 | 16x<br><br>20/11 r42  | 2x<br><br>350/580 mm w152/1 | 2x<br><br>350/580 mm w152/2 | 8x<br><br>Ø16 s2       |

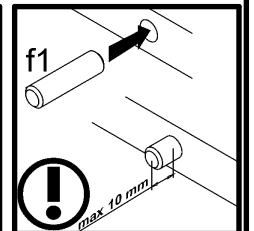
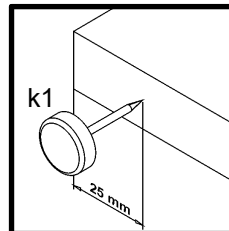
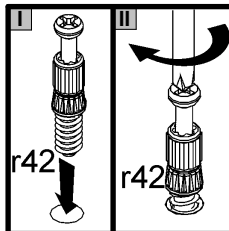
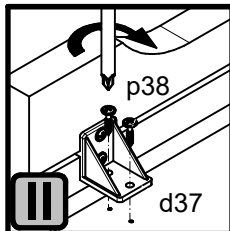
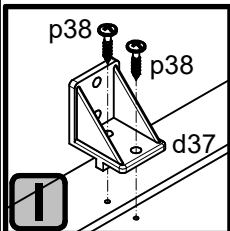
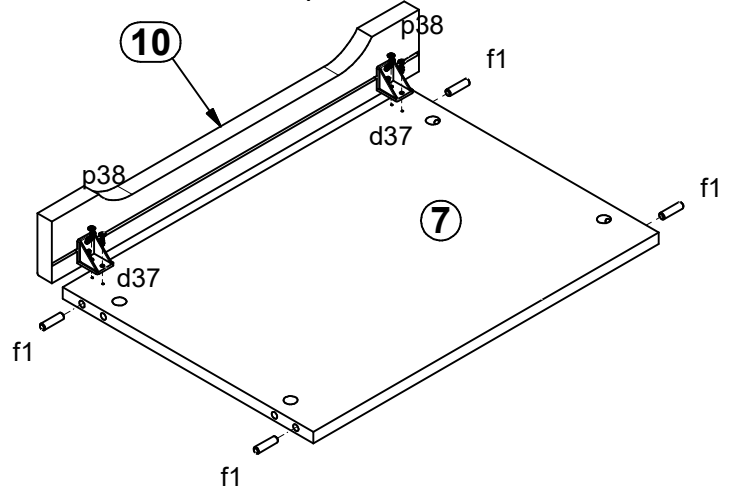
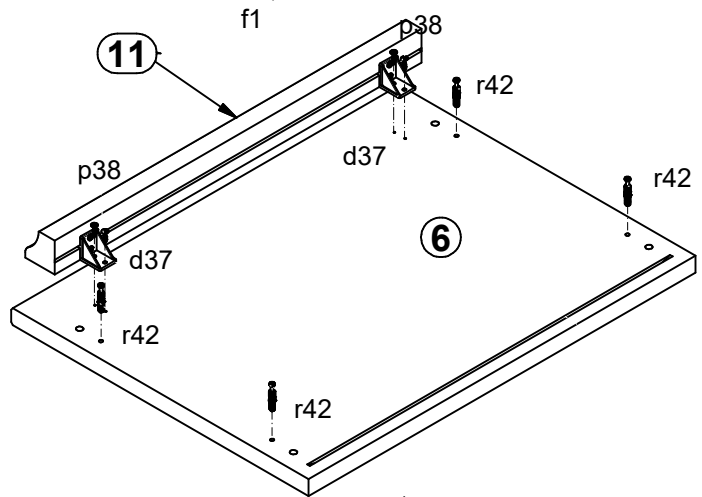
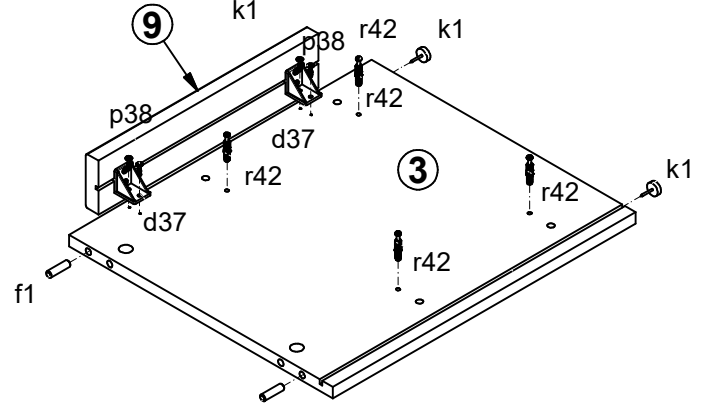
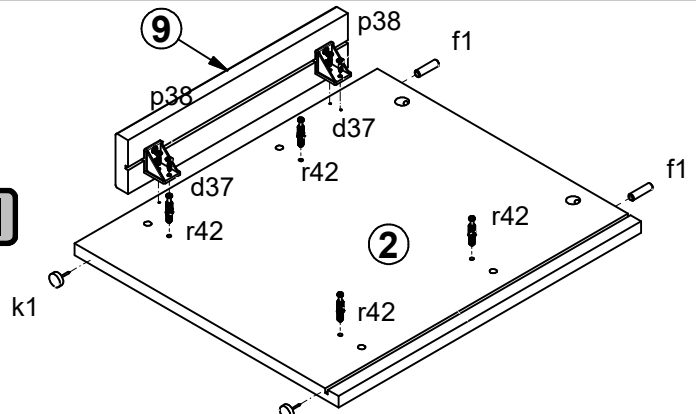
|                 |                          |
|-----------------|--------------------------|
| 1x<br><br>n26/1 | 1x<br><br>Ø3.5x16 mm p38 |
|-----------------|--------------------------|

# 1

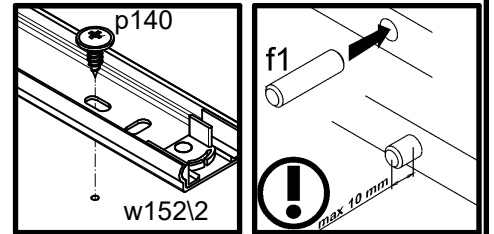
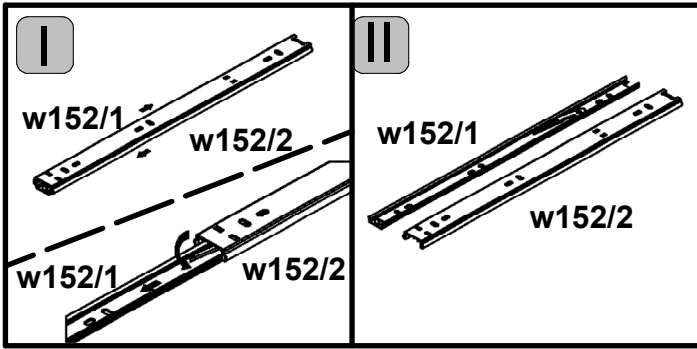
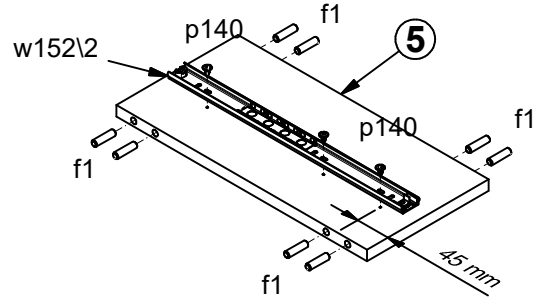
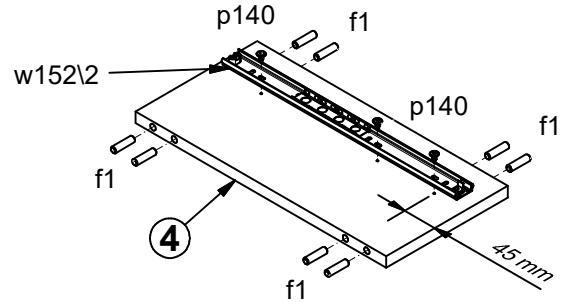
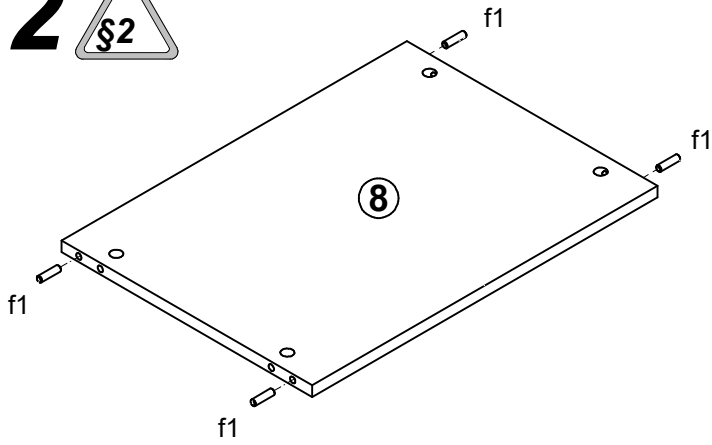
## I



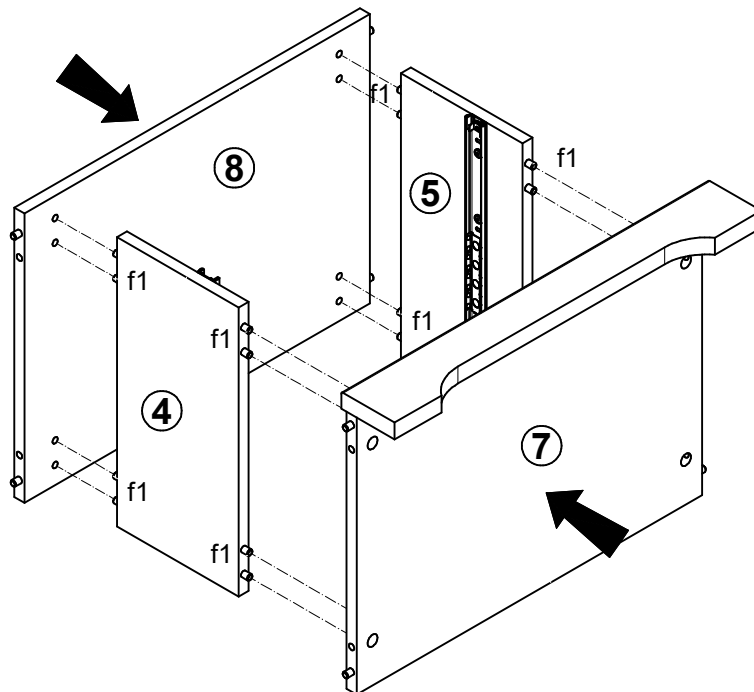
## II



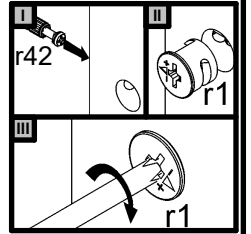
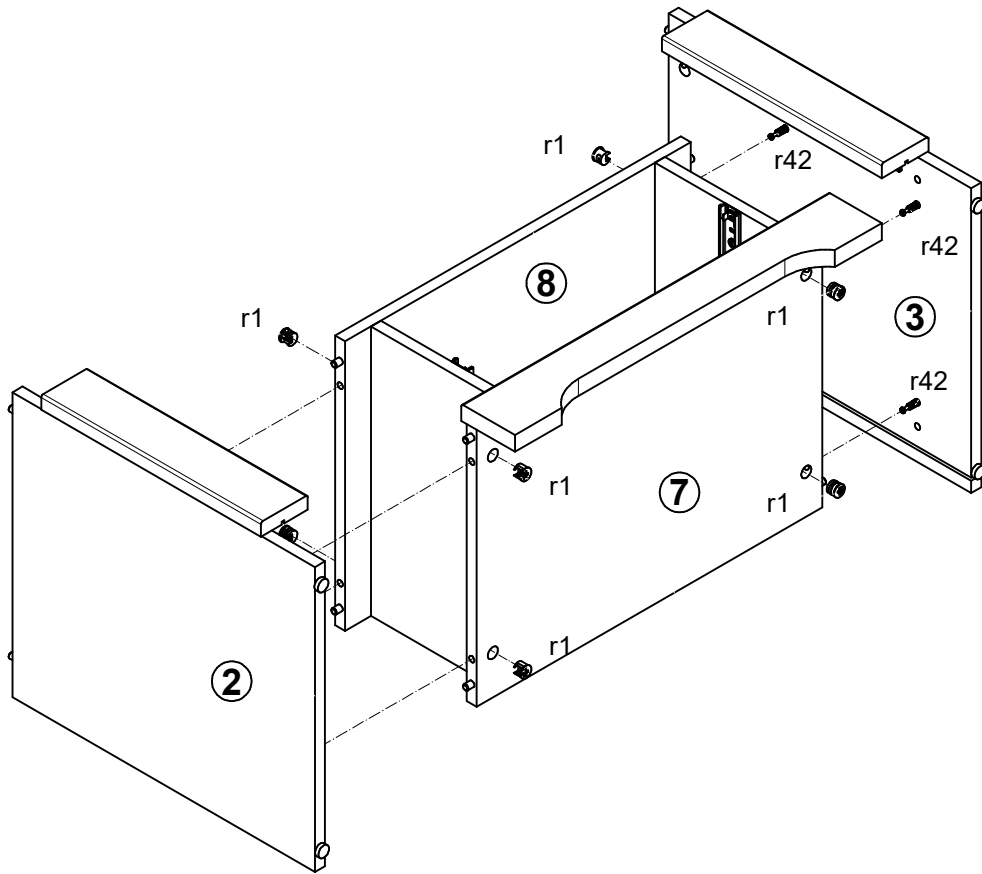
# 2



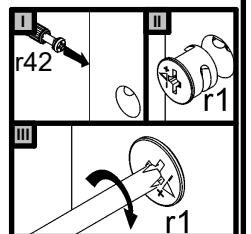
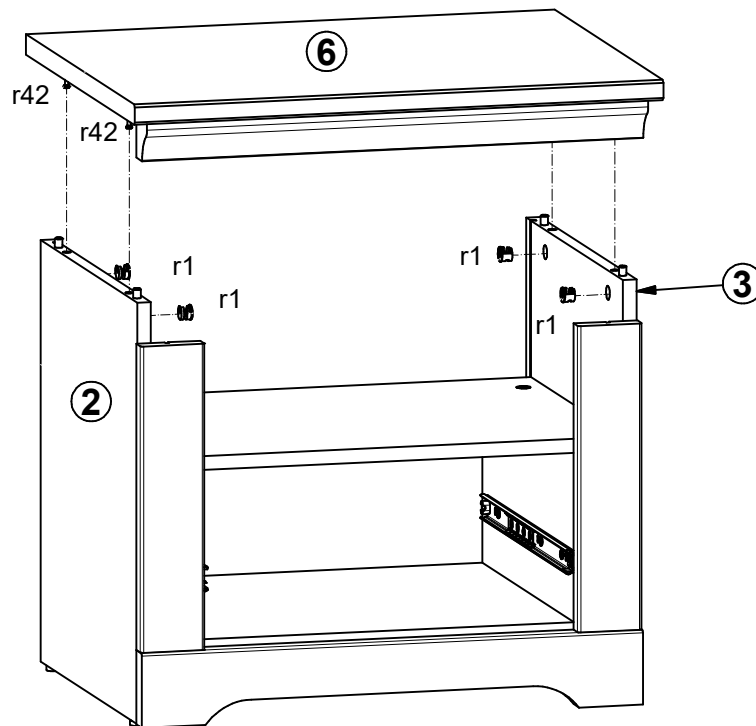
# 3



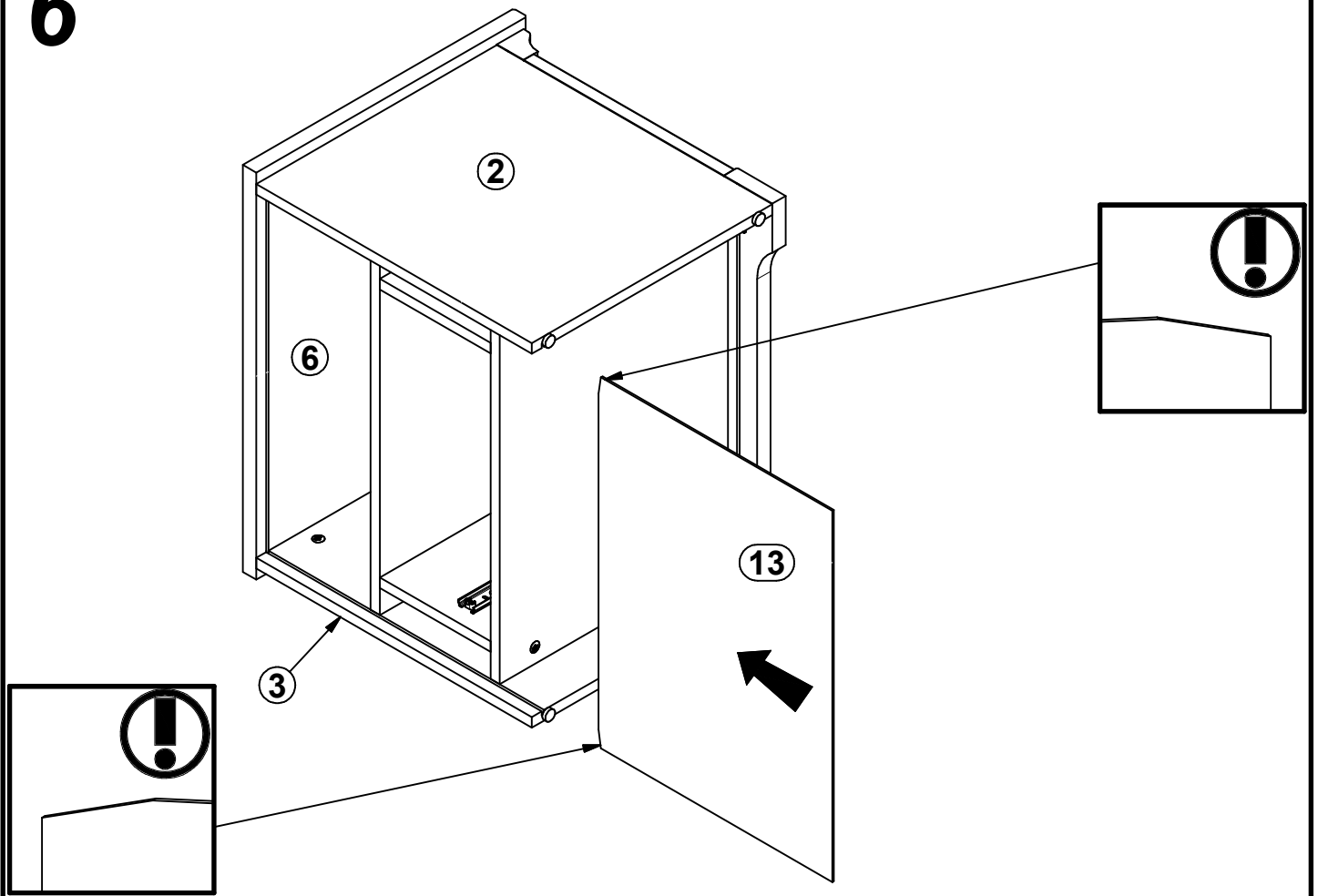
# 4



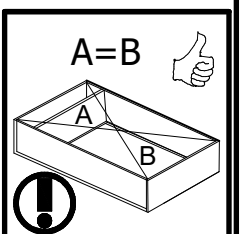
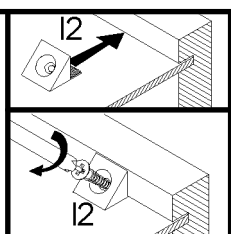
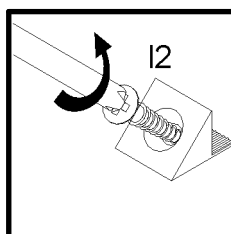
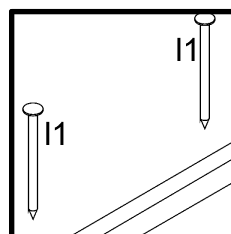
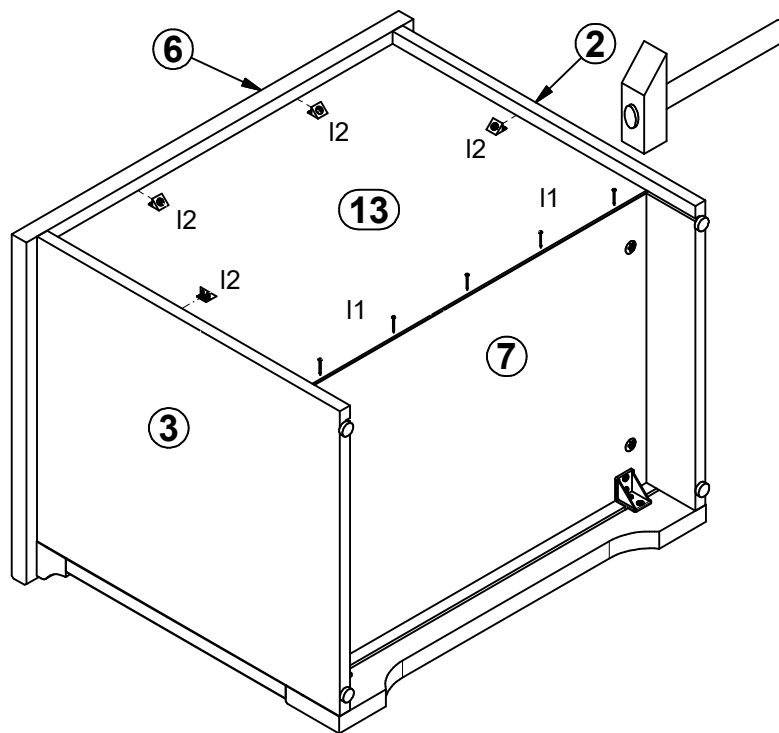
# 5



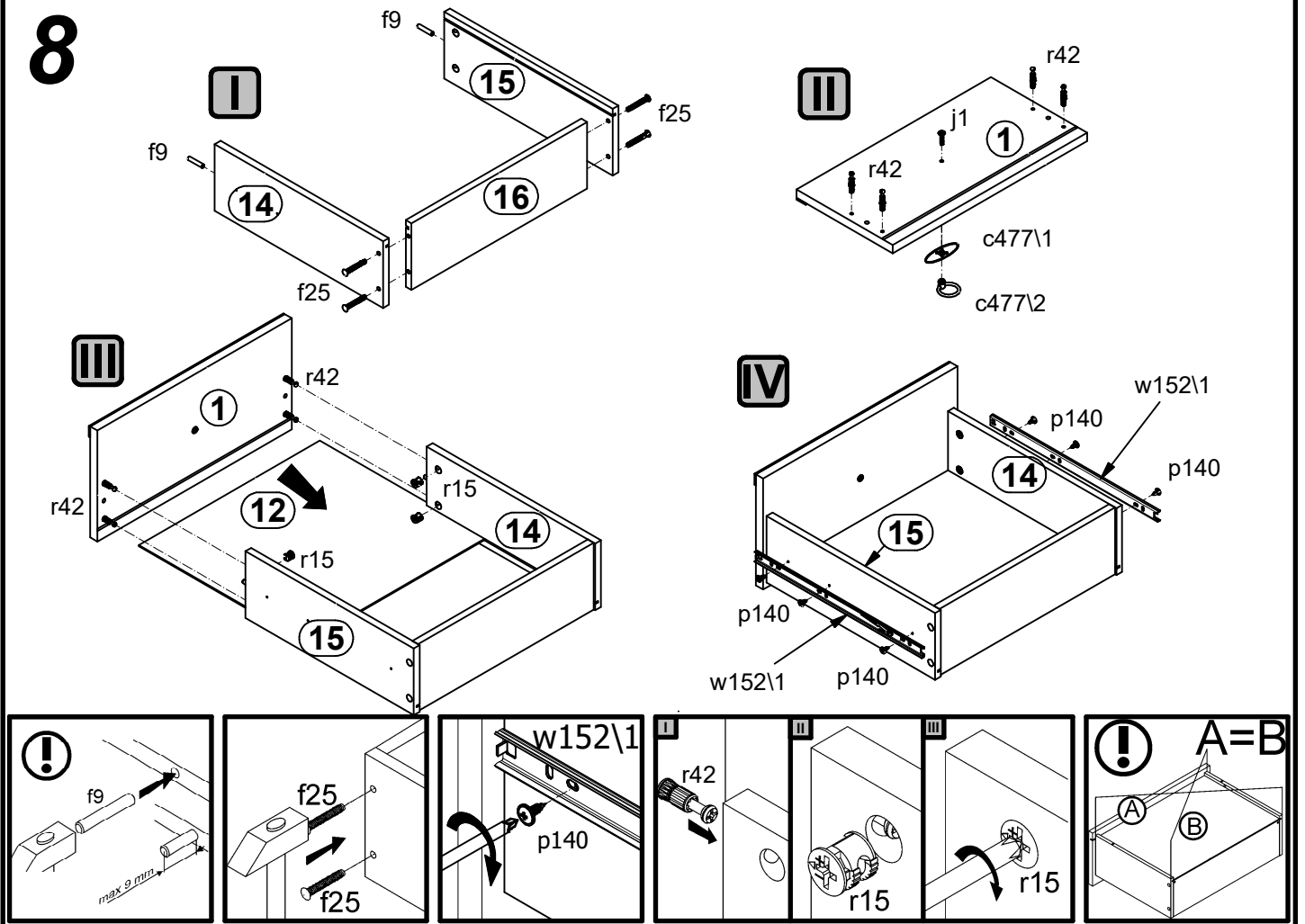
# 6



# 7



# 8



# 9

