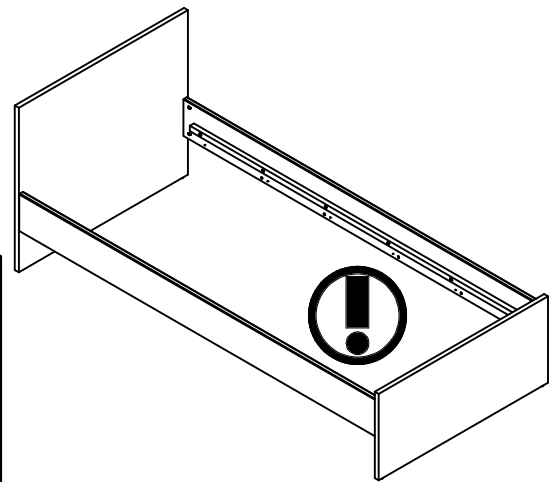
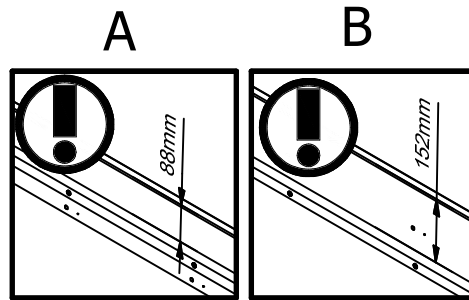
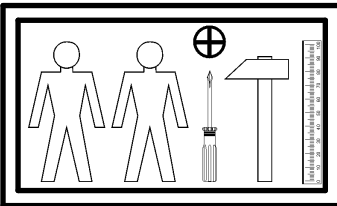
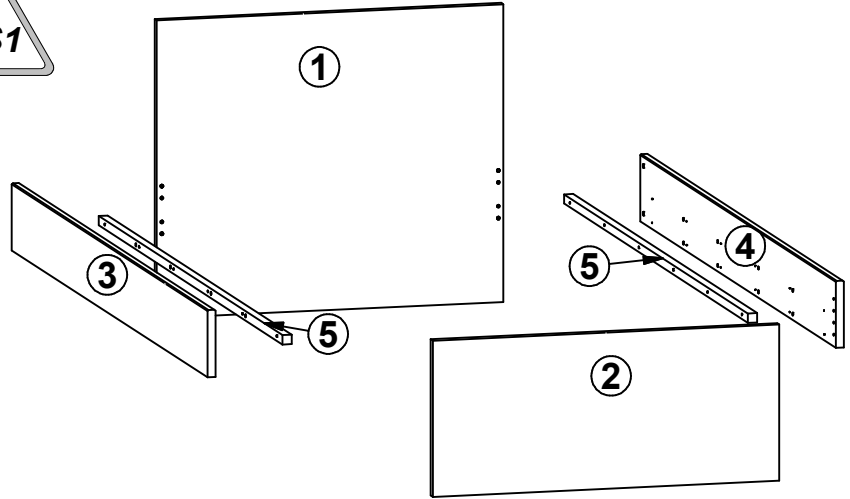


A BALDER / ZELE/NAMEK S382, S383, S412-LOZ/90

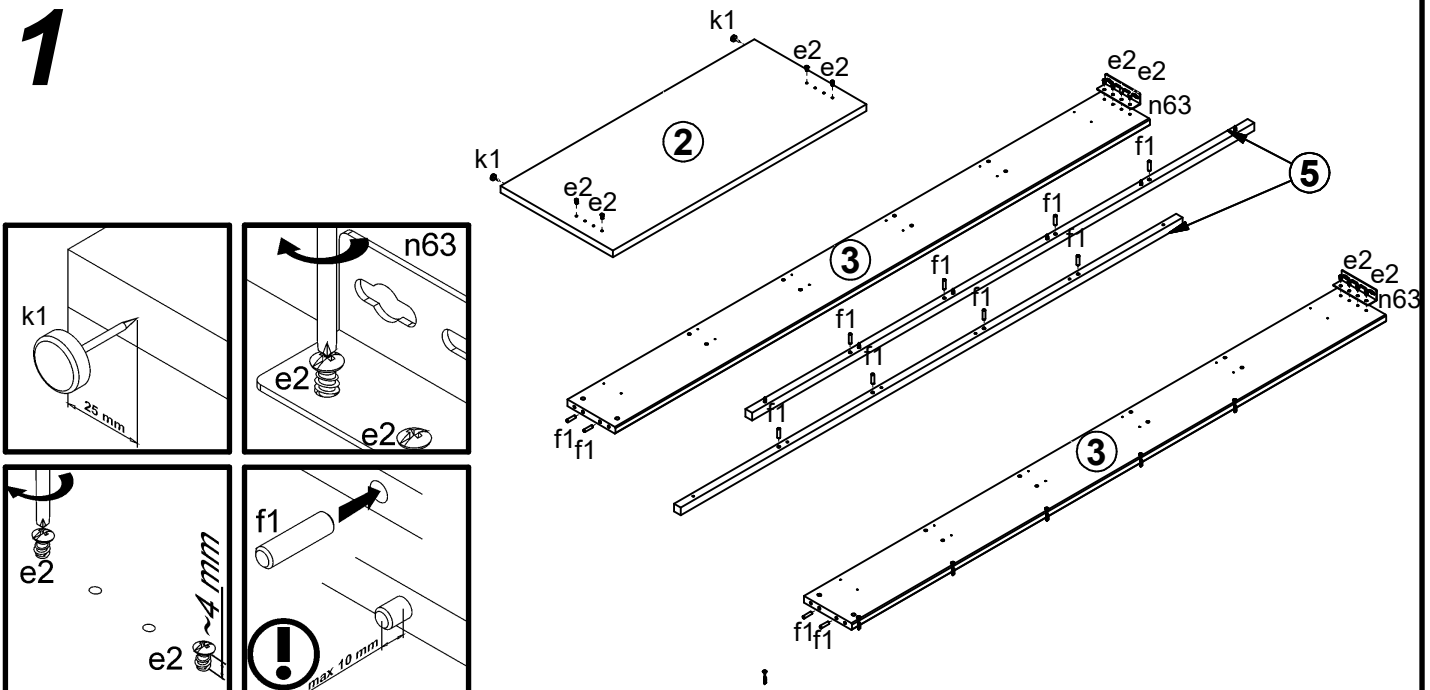
A	B	C	D	
1	S382-4001	950	800	1/2
2	S382-4002	950	420	1/2
3	S382-4003	2000	180	2/2
4	S382-4004	2000	180	2/2
5	ZZ1-747	1880	25	2/2



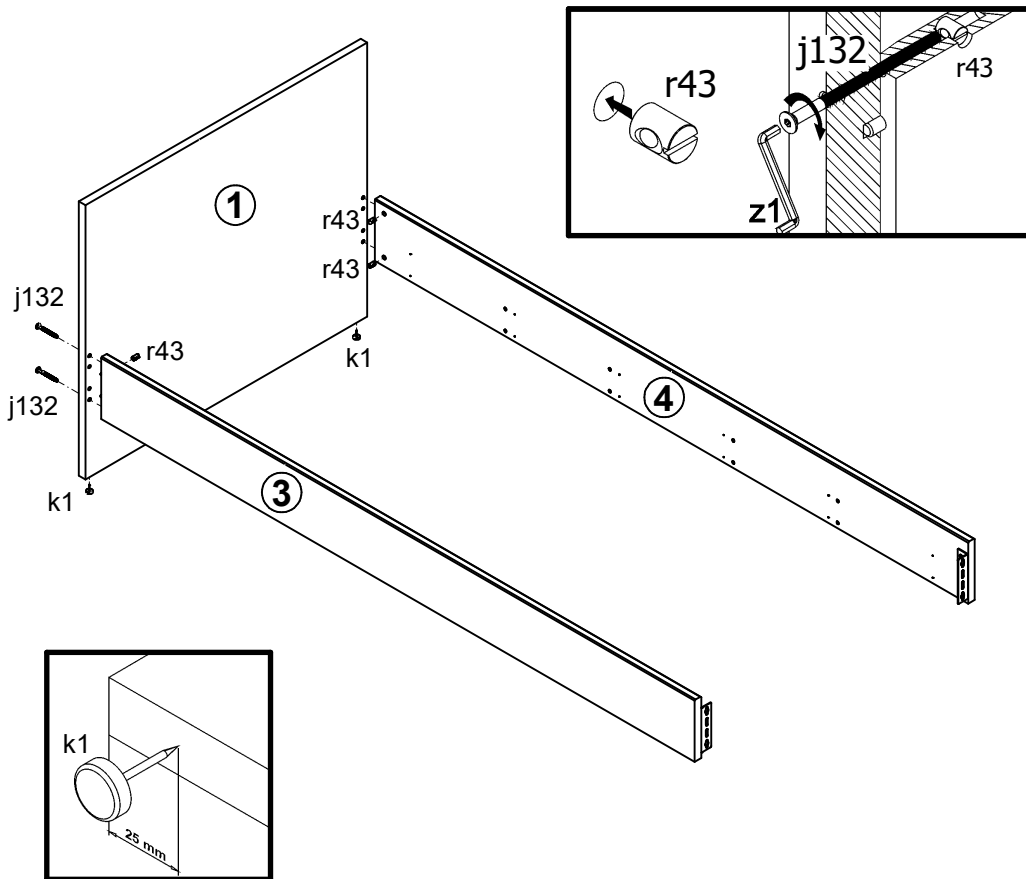
A/B



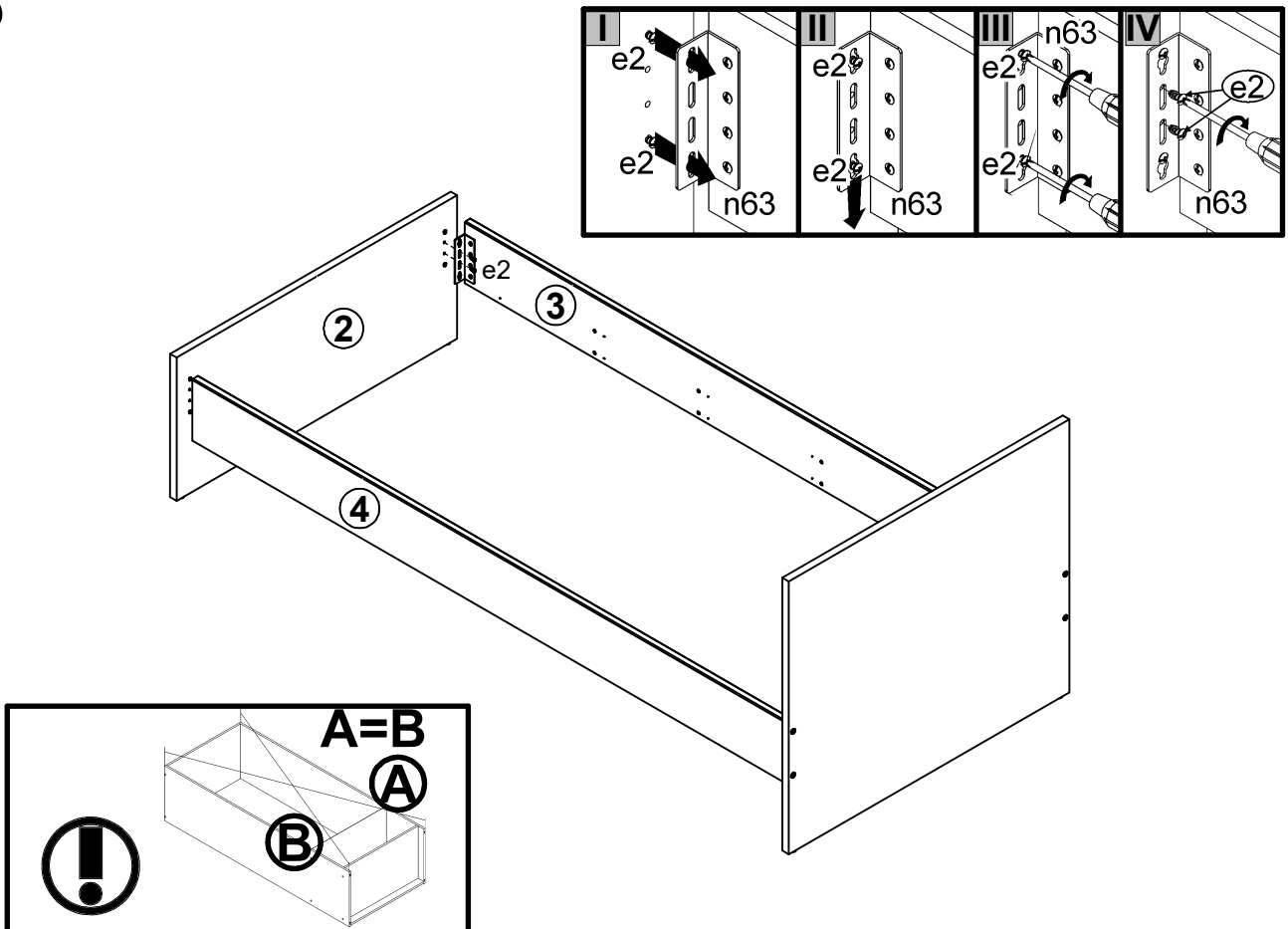
1



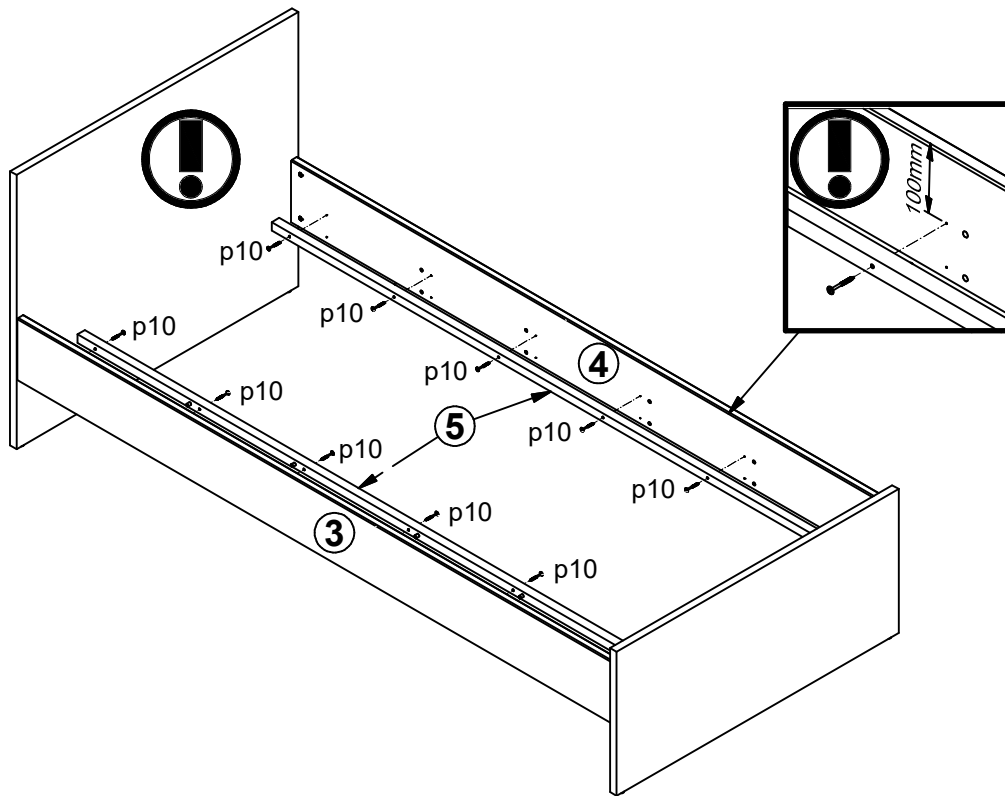
2



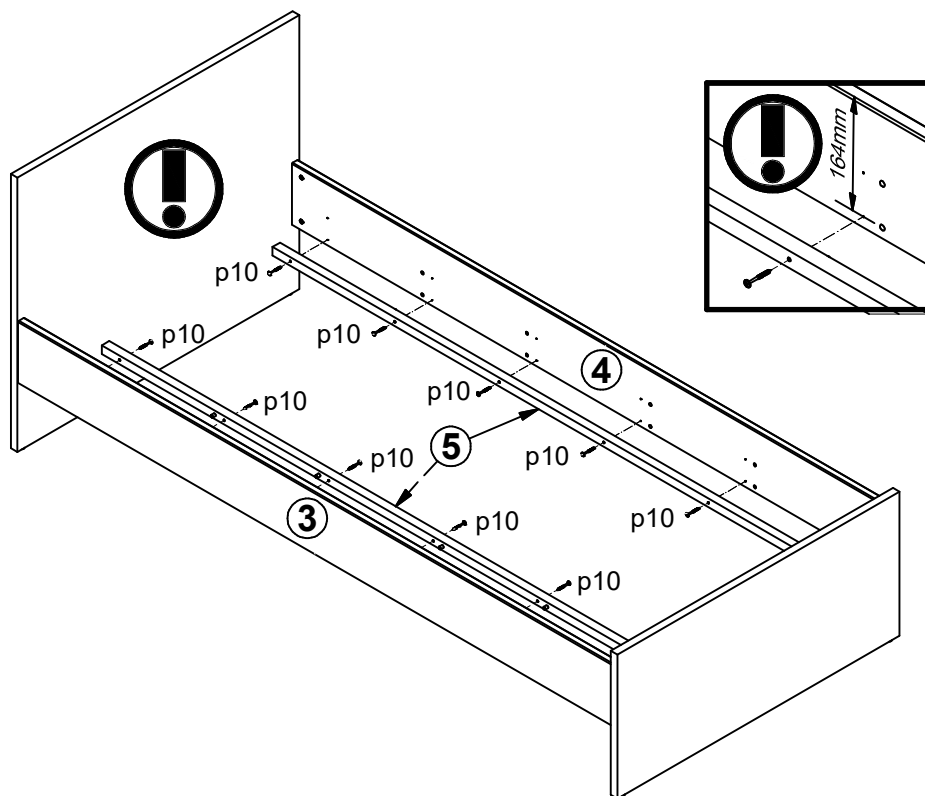
3



4A



4B



5

