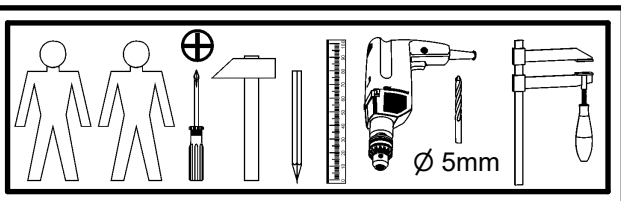
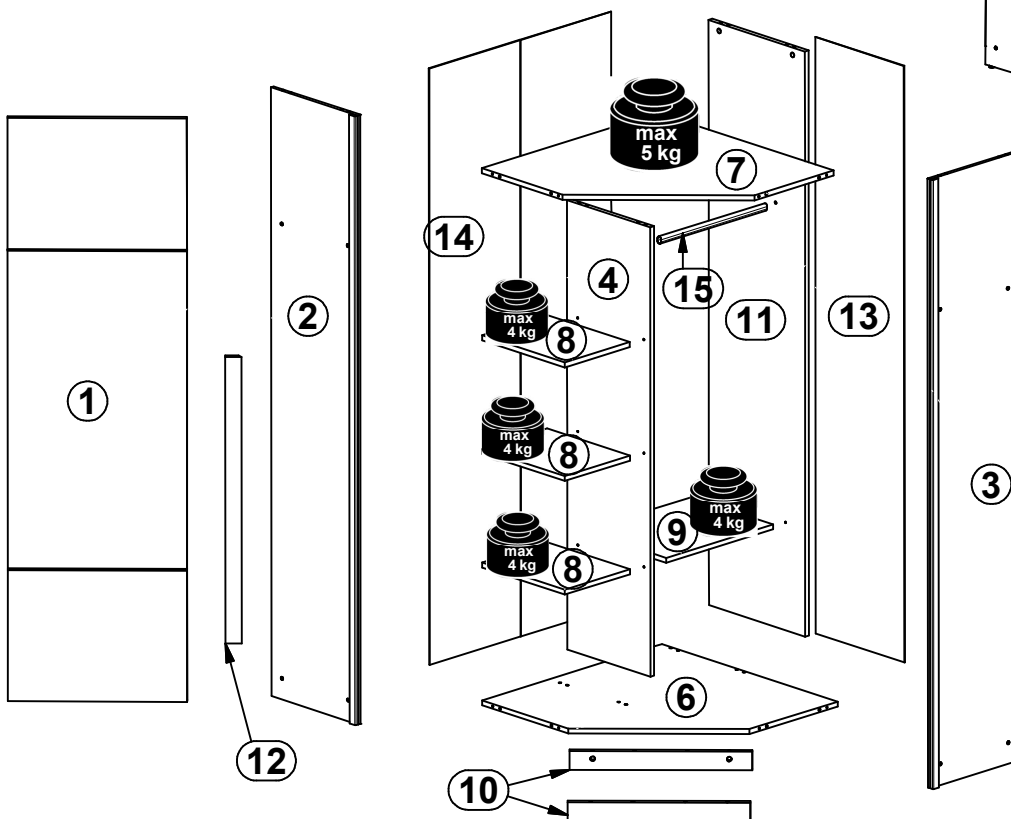
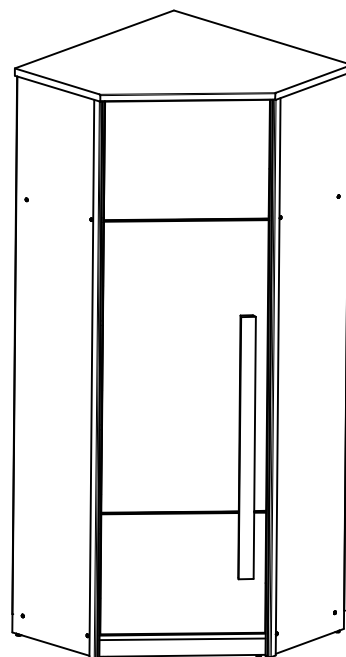
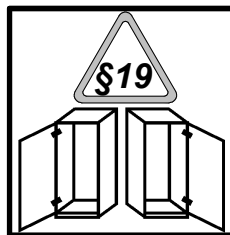


A

NAMEK

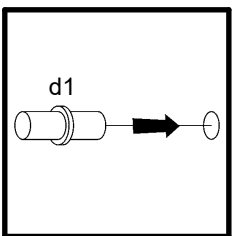
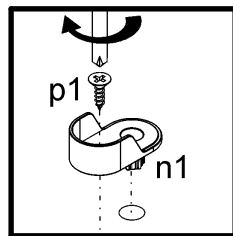
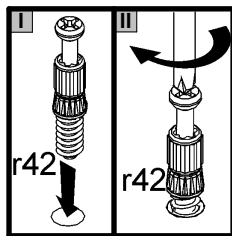
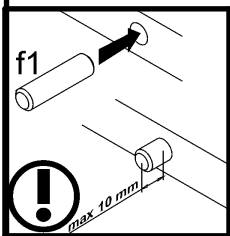
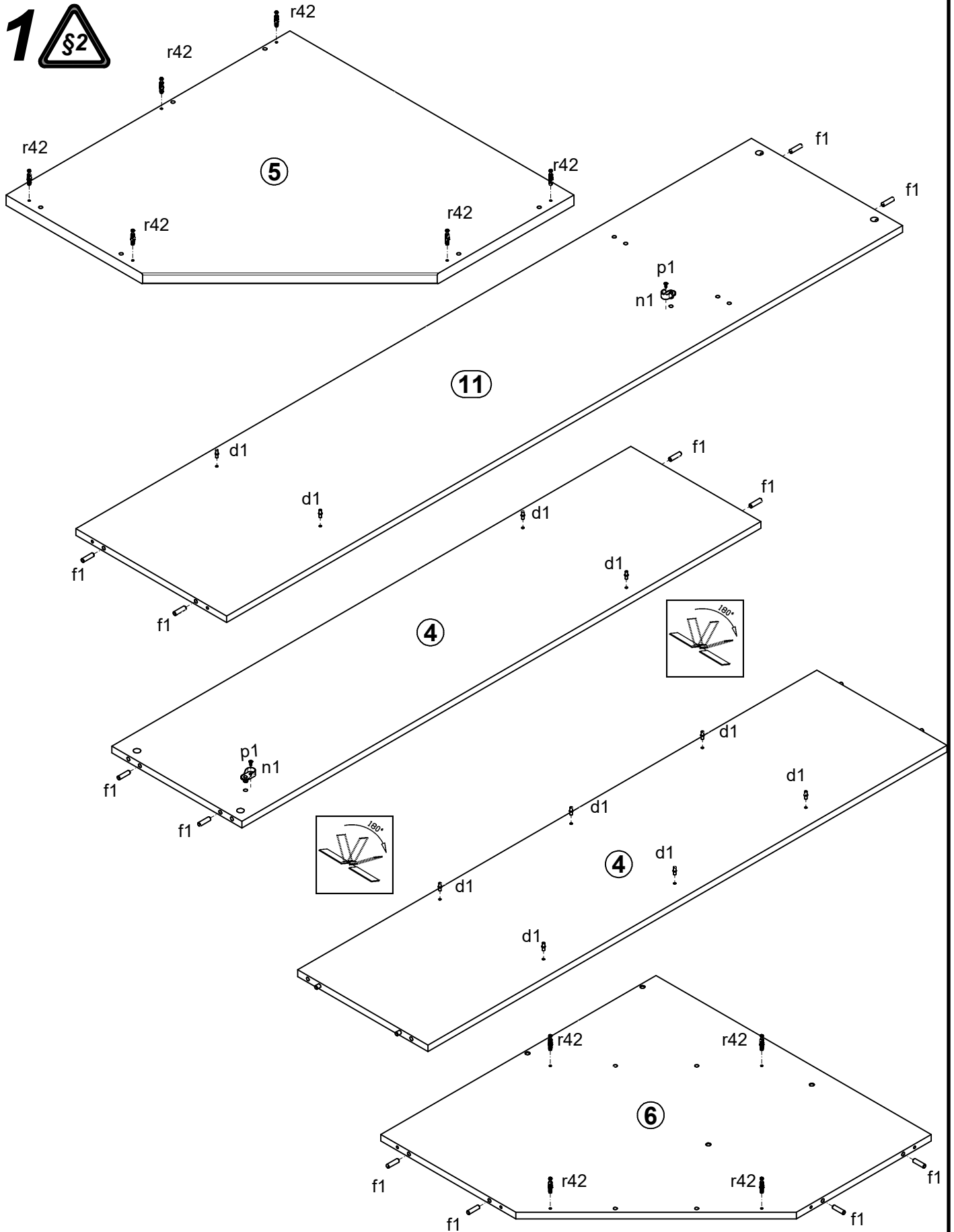
S412-SZFN1D

A	B	C	D
1	S412-0003	1874,	546 3/3
2	S412-1003	1956,	378 1/3
3	S412-1004	1956,	378 1/3
4	S412-1005	1444	362 1/3
5	S412-2017	790,	790, 2/3
6	S412-3005	765,5	765,5 2/3
7	S412-3006	765,5	749 2/3
8	S412-3007	277	360 2/3
9	S412-3008	454,	360 1/3
10	S412-4003	557	60 2/3
11	S412-4004	1880	420 3/3
12	S412-5701	920,	50, 3/3
13	S412-9001	1916,	386 1/3
14	S412-9303	1916,	773, 1/3
15	dr-450	450	22 2/3

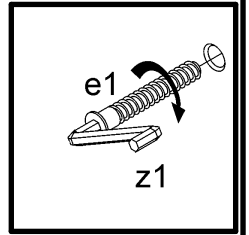
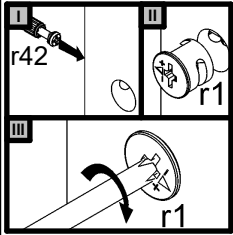
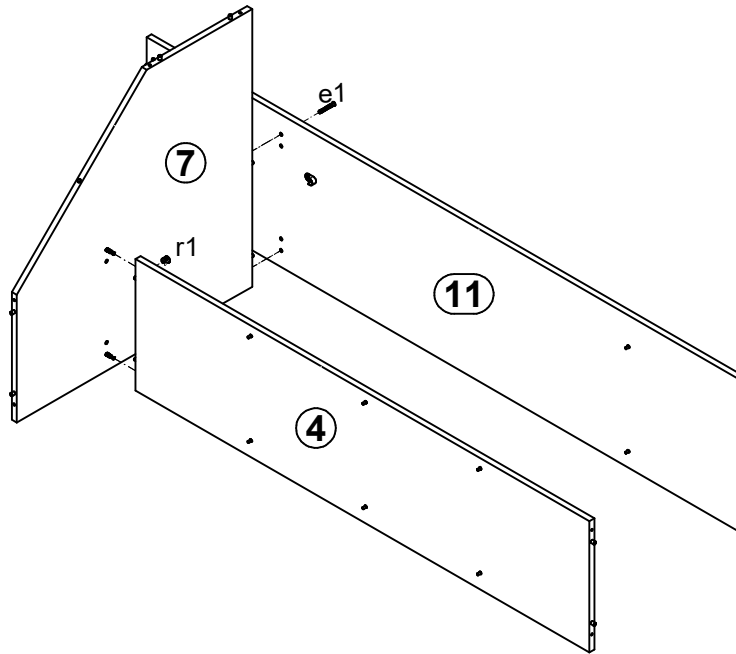


4x 45° a122	4x D5 b61	16x Ø5x17 mm d1	14x Ø7x50 mm e1	8x Ø6,3x13 mm e2	26x Ø8x30 mm f1	6x k1	85x 1,4x20 mm l1	2x h=22mm n1
1x silikon o21	2x Ø3,5x13 mm p1	15x Ø3,5x16 mm p38	8x Ø3,5x15 mm p51	4x Ø4x28 mm p94	8x Ø15x12 mm #16 r1	4x Ø12x10,5 mm #12 r15	12x 20-11 r42	8x s1
4x Ø16 s2	4x Ø12 s34	4x Ø35x62x40x10 s71	1x 4 mm z1	1x n26				

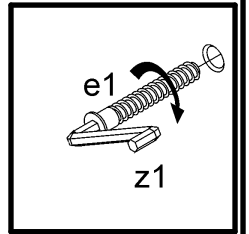
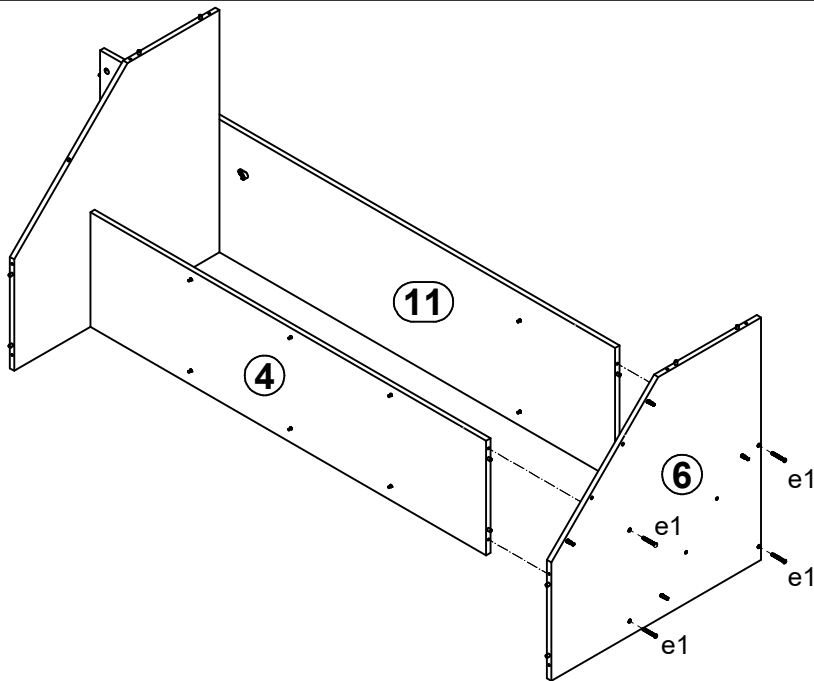
1 §2



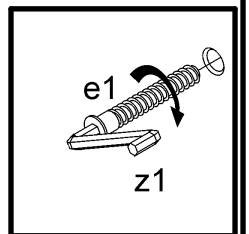
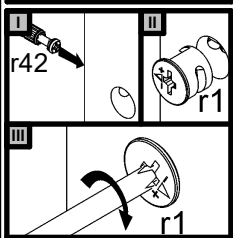
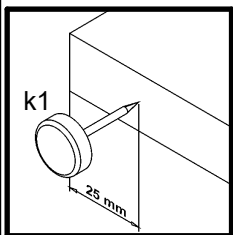
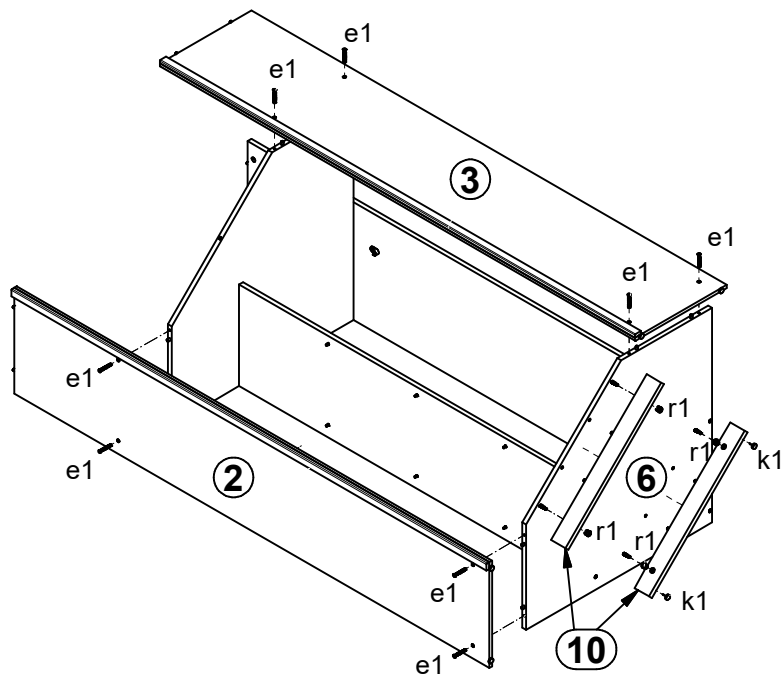
3 §6



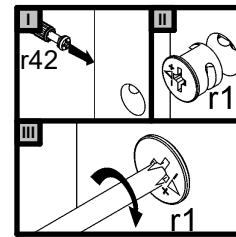
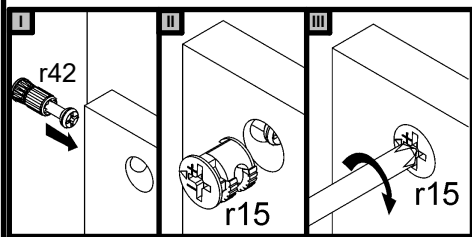
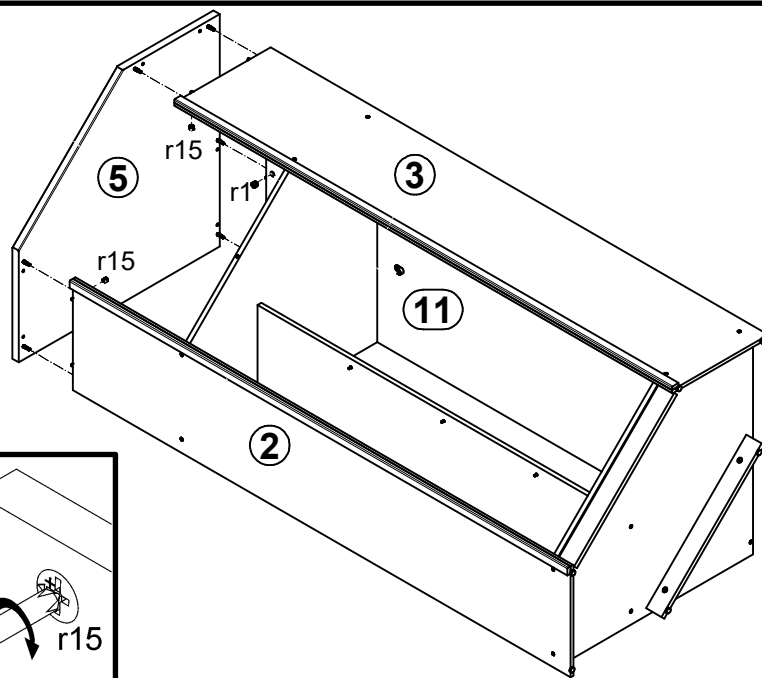
4 §6



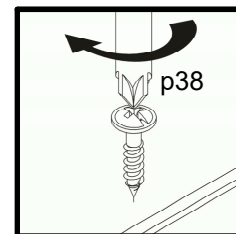
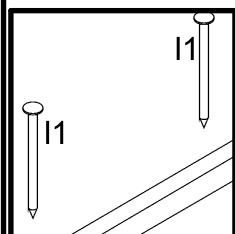
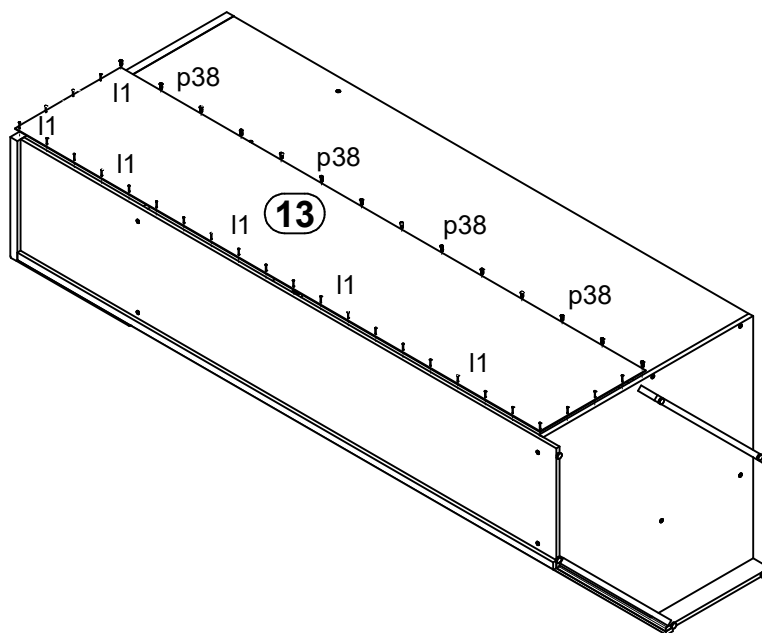
5 §6



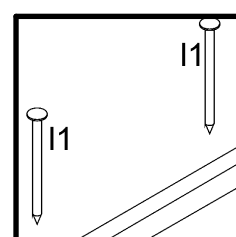
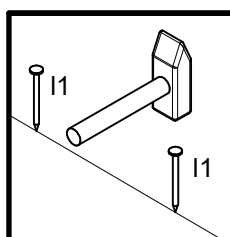
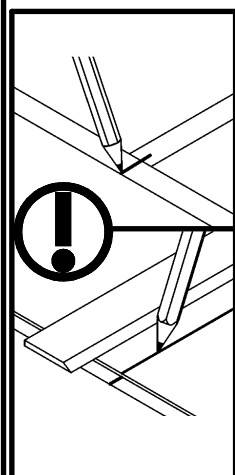
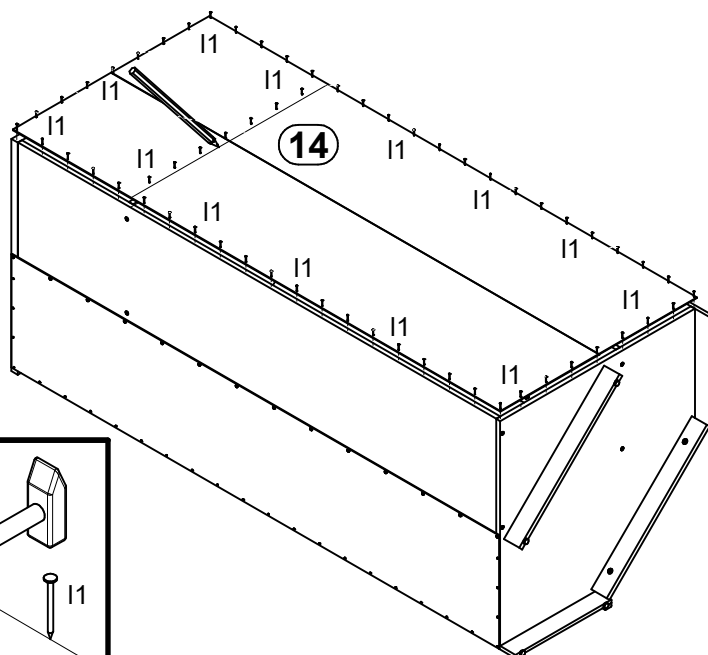
6



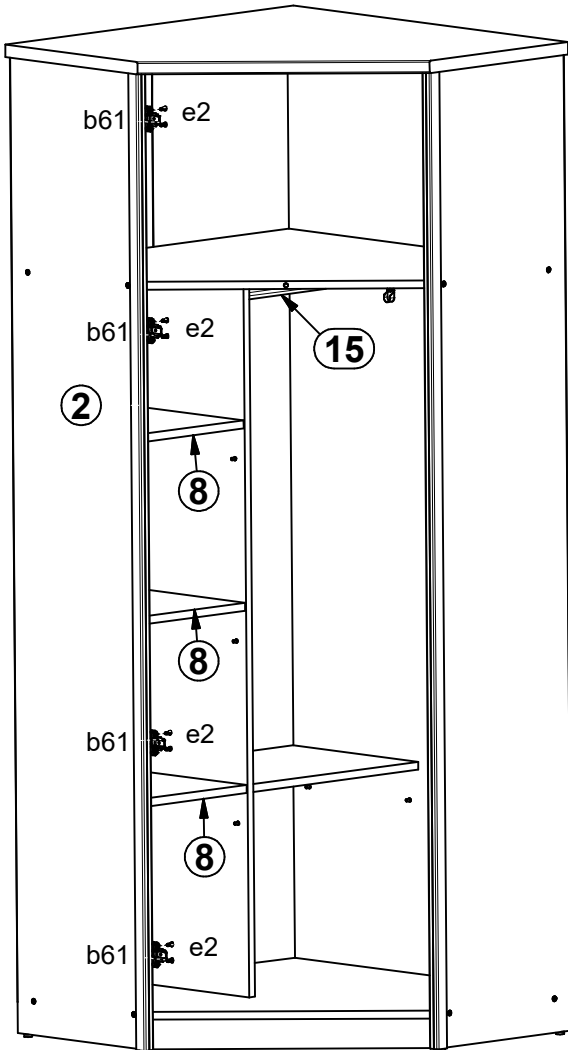
7



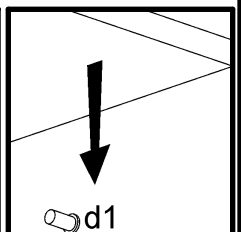
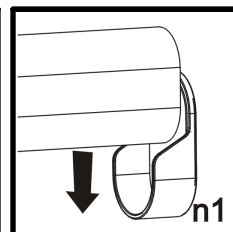
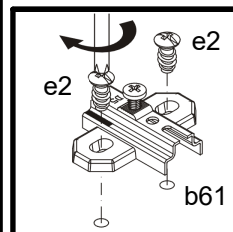
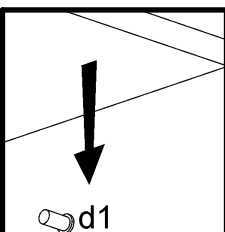
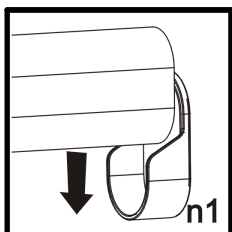
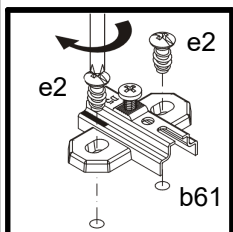
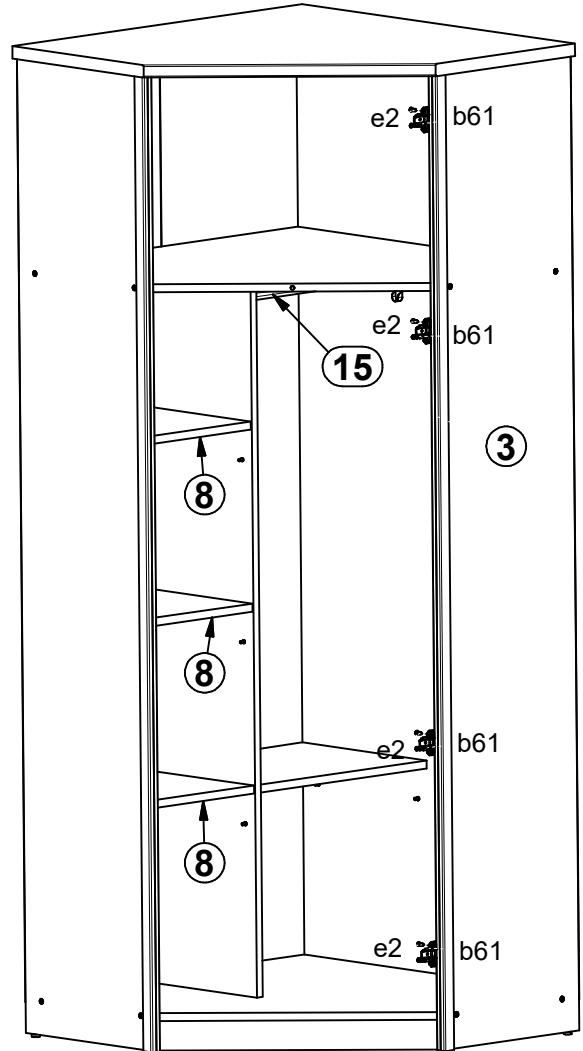
8



9A



9B



10A



10B

