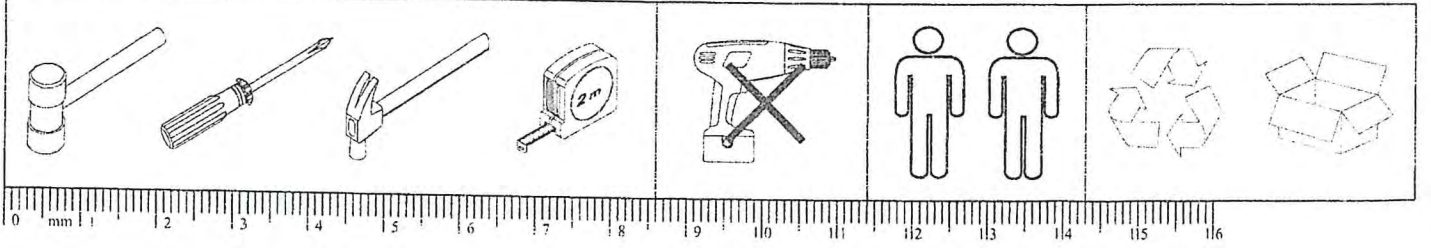
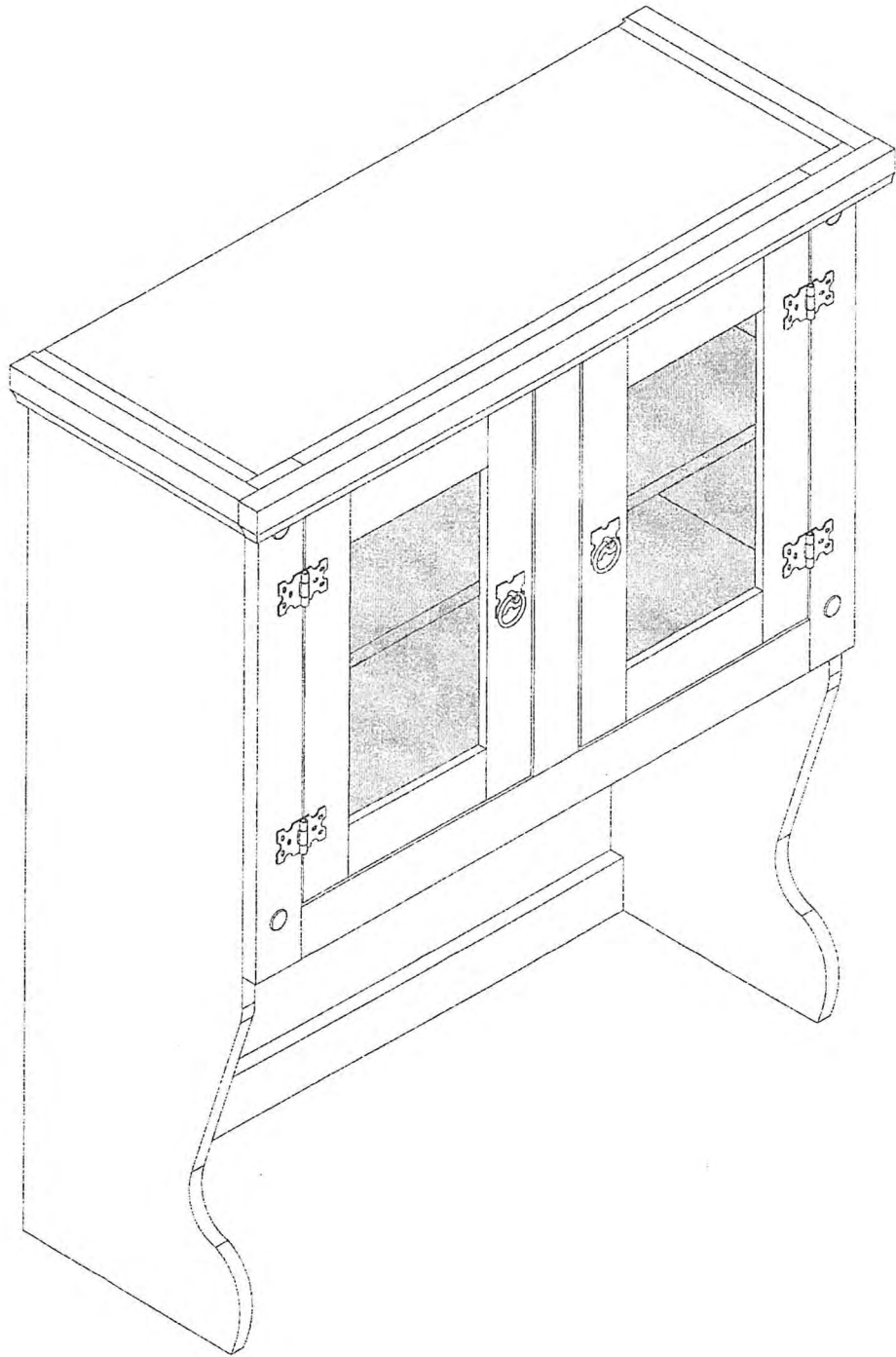
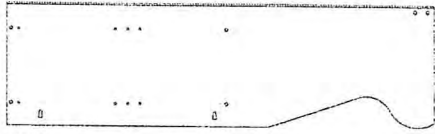


16463





1 110 x 31.4cm



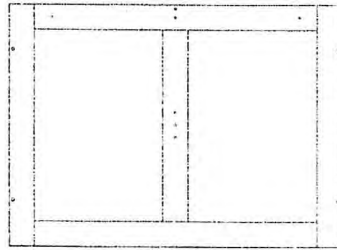
2 110 x 31.4cm



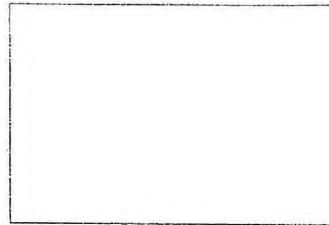
3 82.6 x 30.8cm (2x)



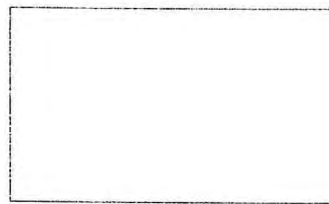
4 82.6 x 30.8cm



5 86.2 x 62cm



6 84.4 x 56.2cm



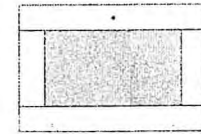
7 84.4 x 50cm



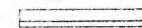
8 92 x 4.5cm



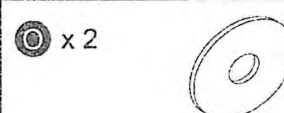
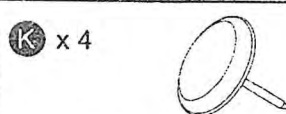
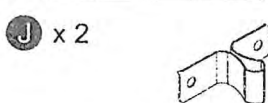
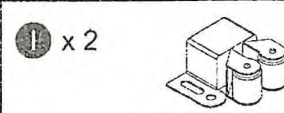
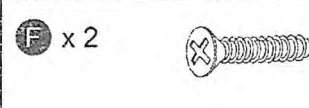
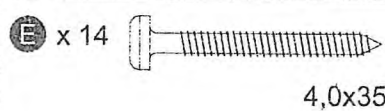
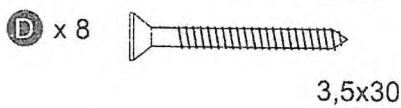
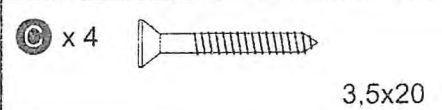
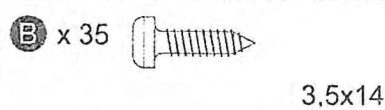
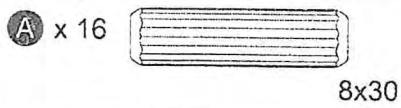
9 82.6 x 6.5cm



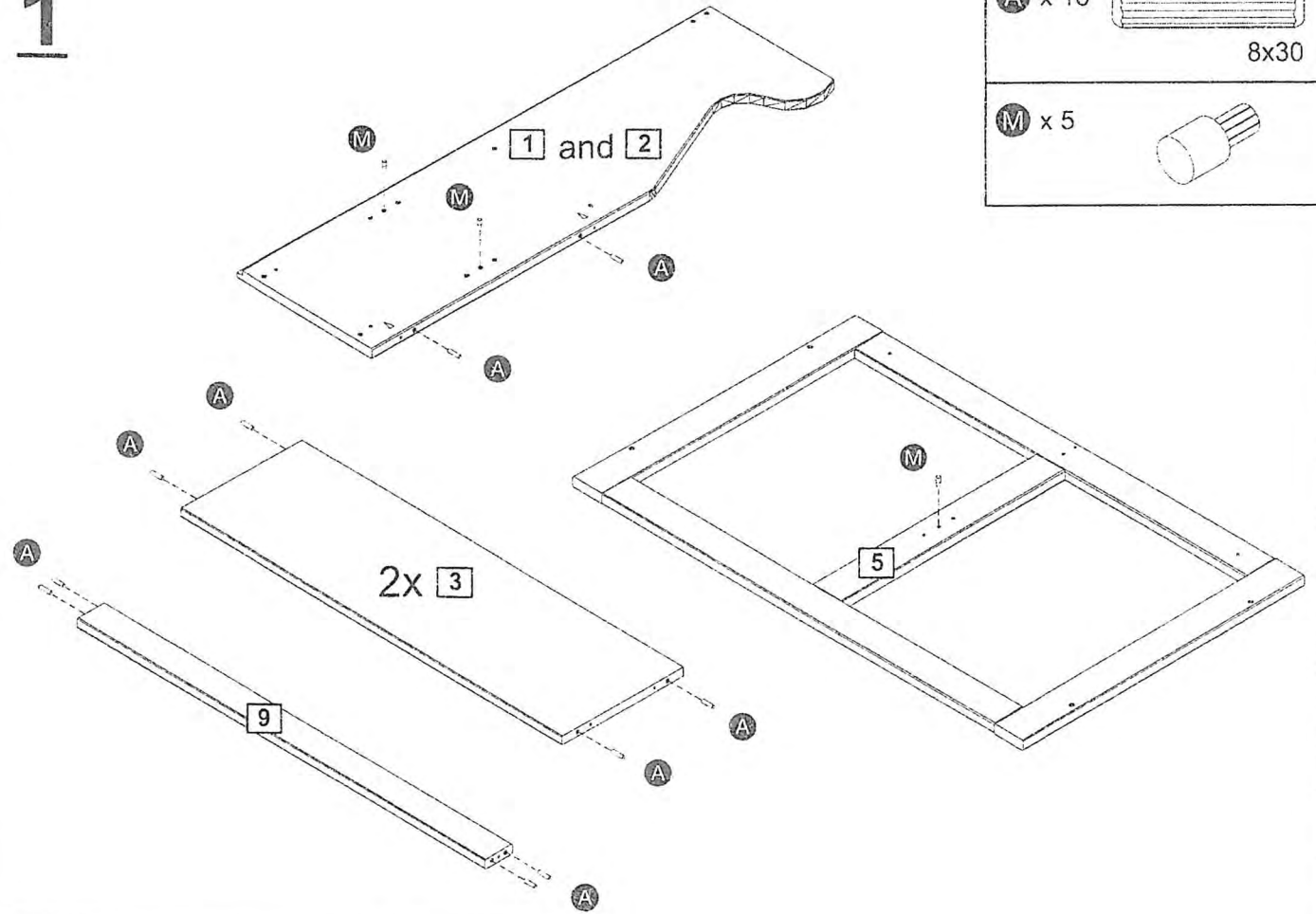
10 48.4 x 32.7cm (2x)



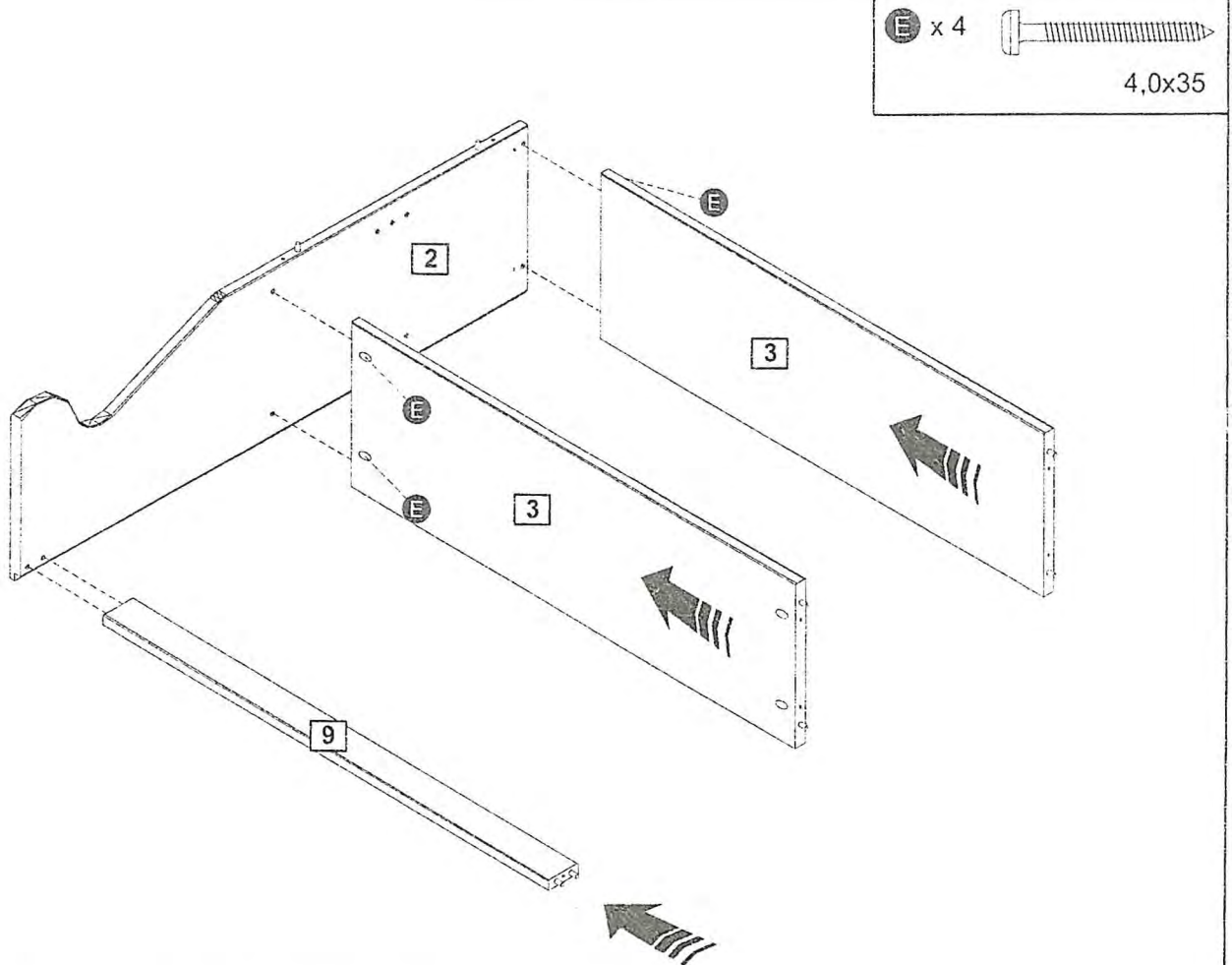
11 33.2 x 4.5cm (2x)



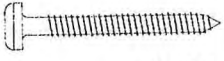
1

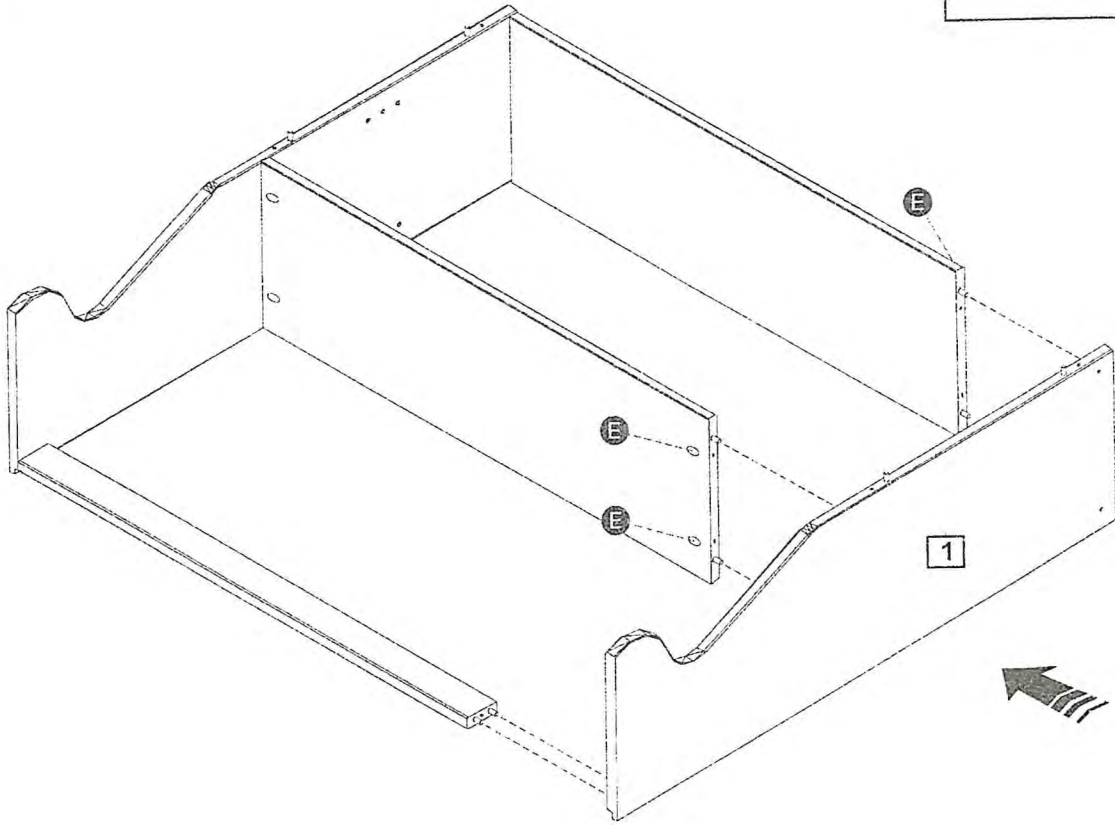


2

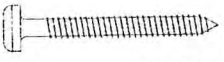


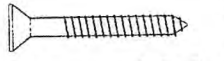
3

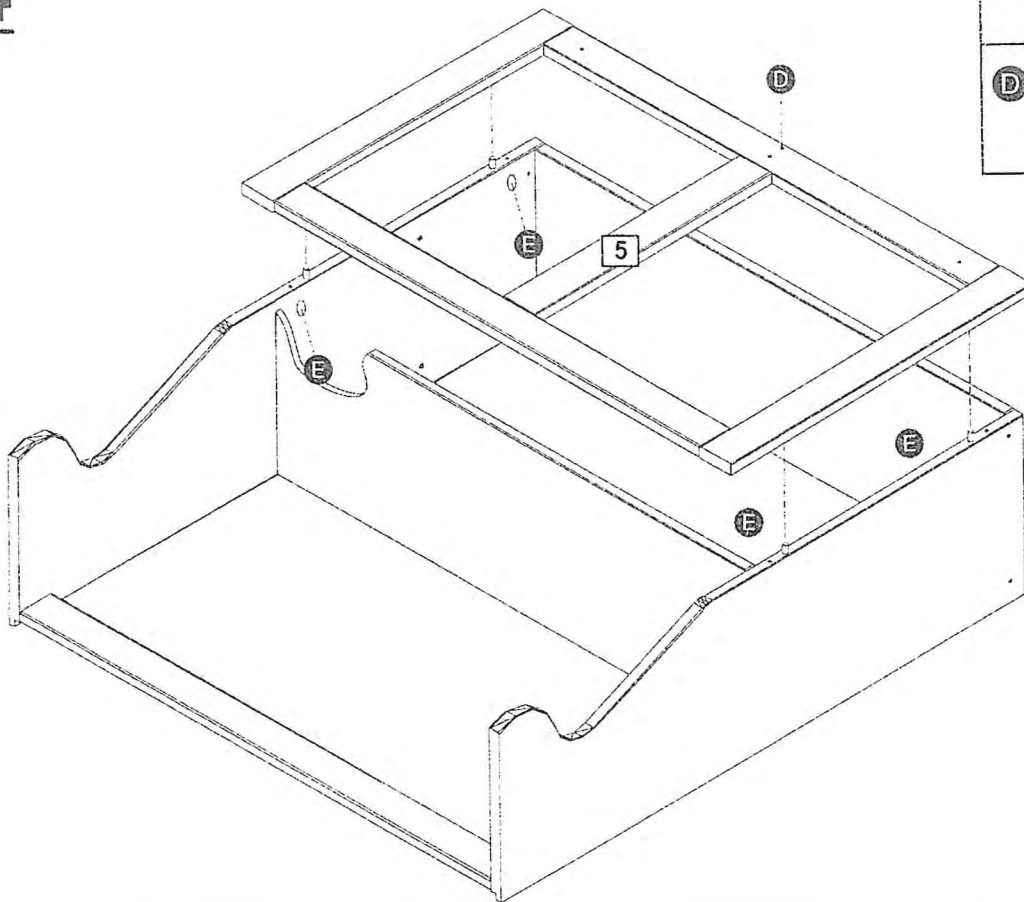
ⓔ x 4 
4,0x35



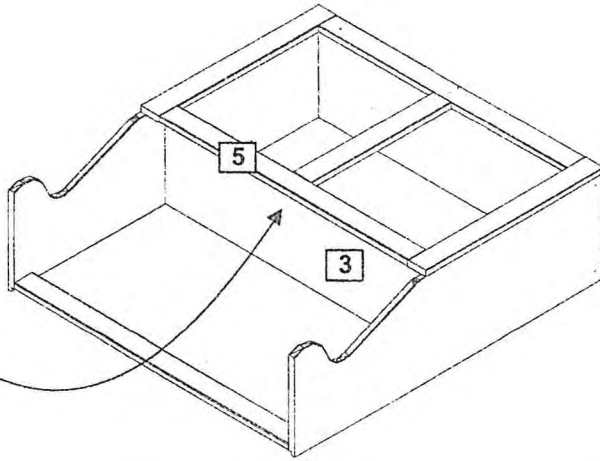
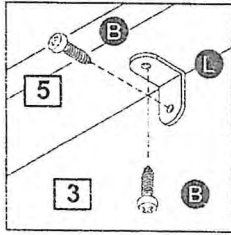
4

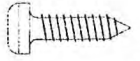
ⓔ x 4 
4,0x35

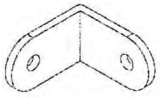
ⓓ x 1 
3,5x30



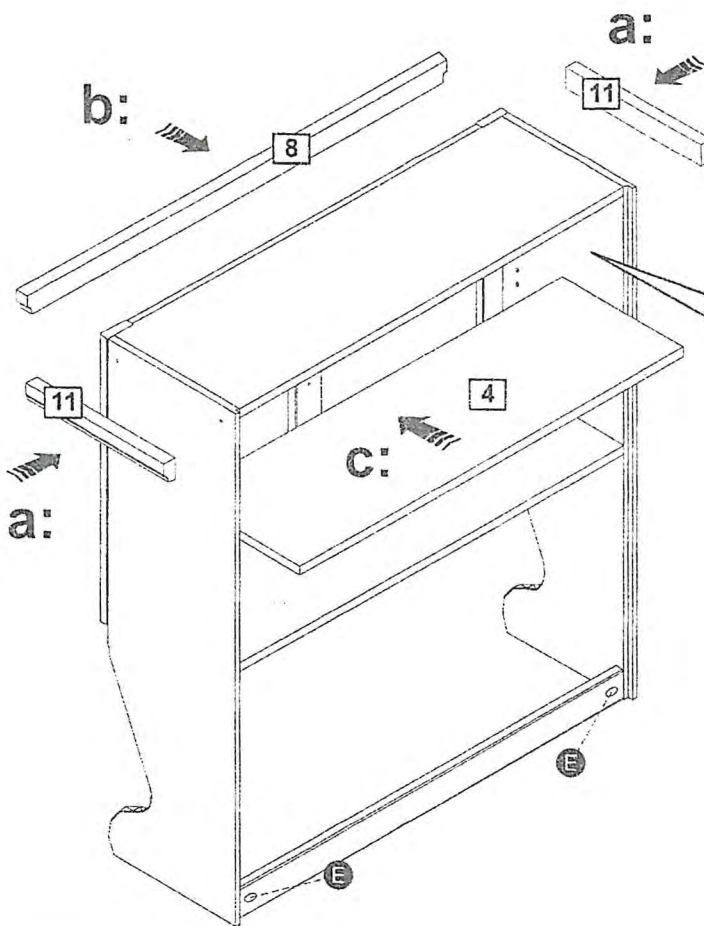
5




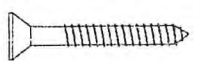
B x 2  3,5x14

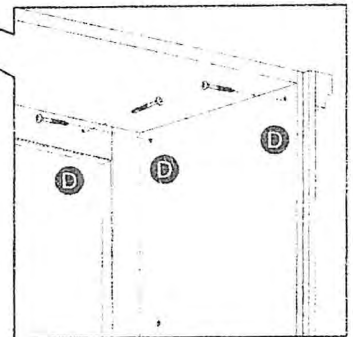
L x 1 

6

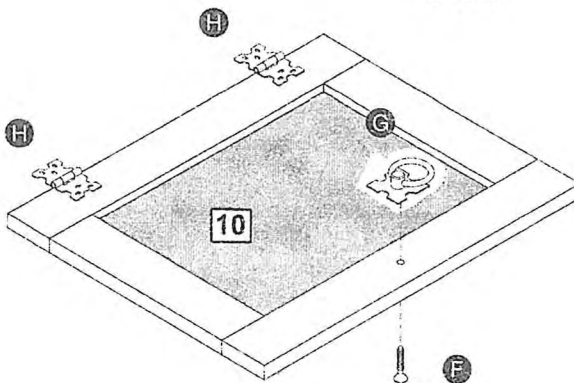
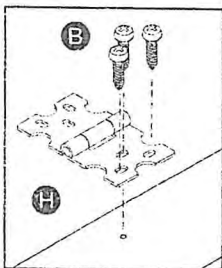


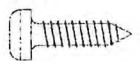
E x 2  4,0x35

D x 7  3,5x30




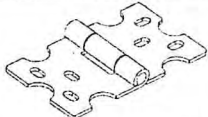
7



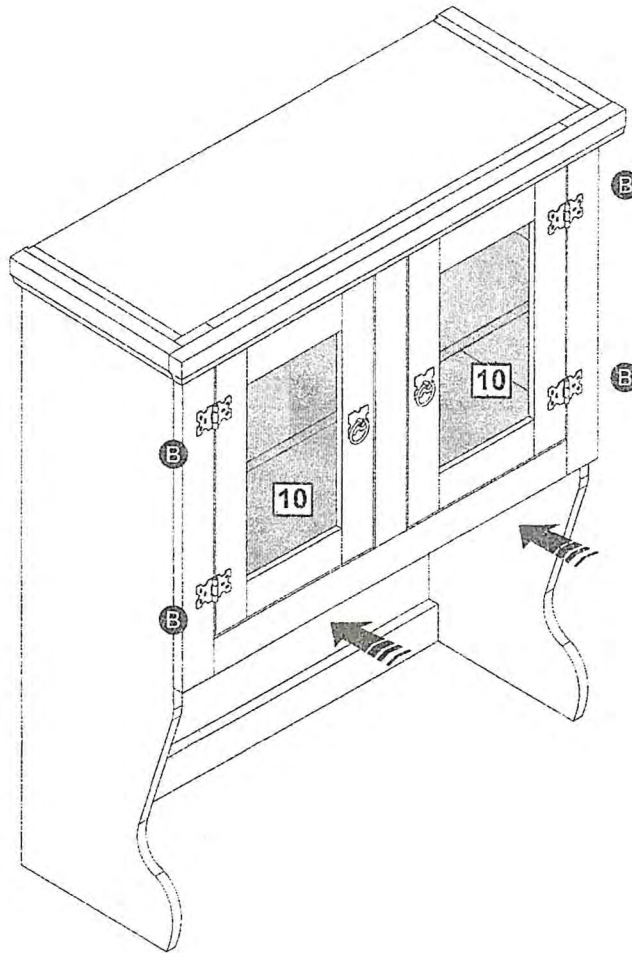
B x 12  3,5x14

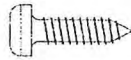
F x 2 

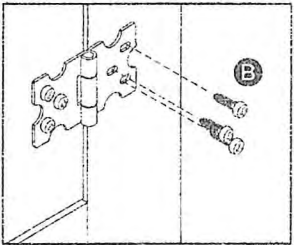
G x 2 

H x 4 

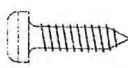
8

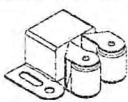


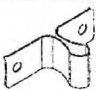
B x 12  3,5x14

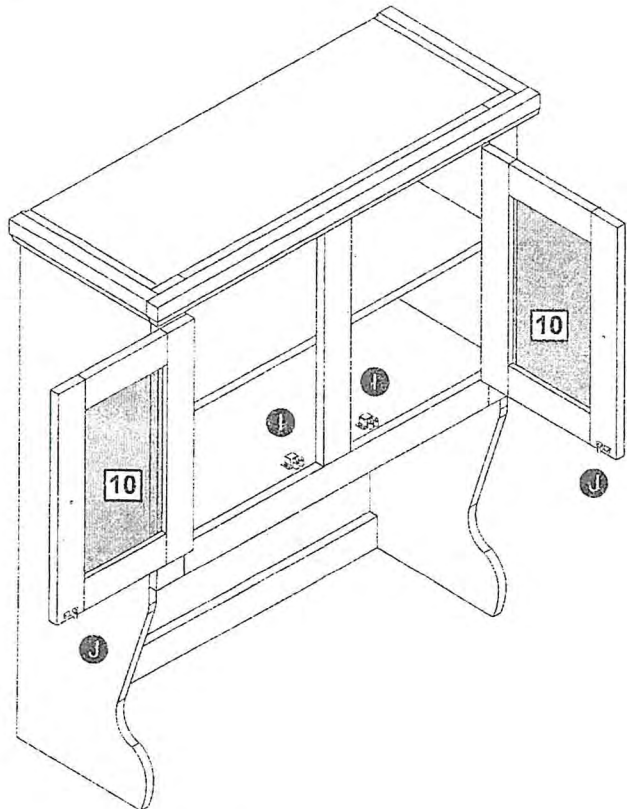


9

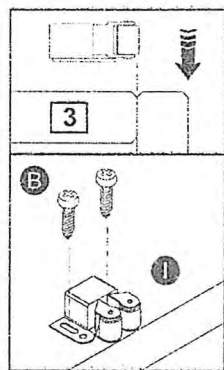
B x 8  3,5x14

I x 2 

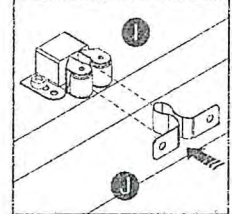
J x 2 



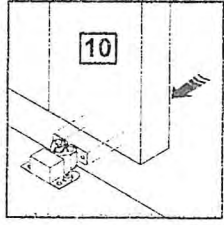
a:



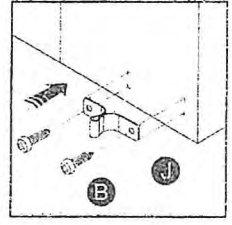
b:



c:

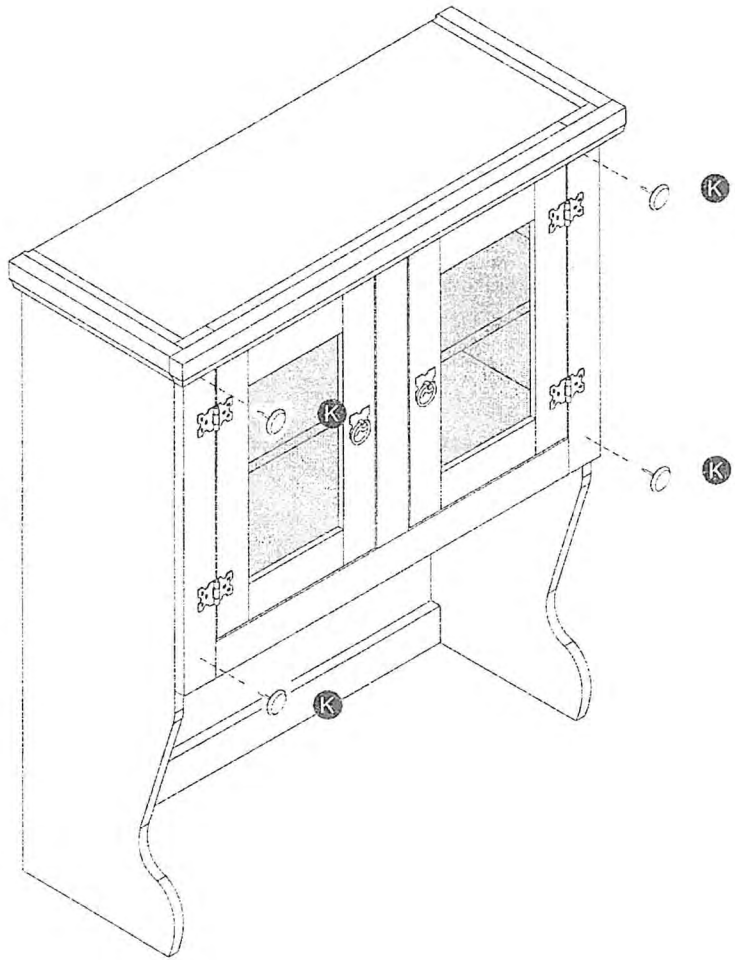


d:



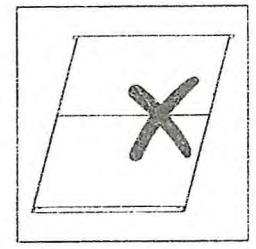
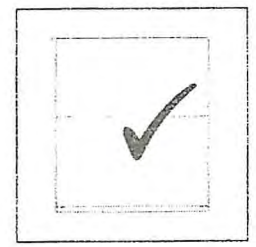
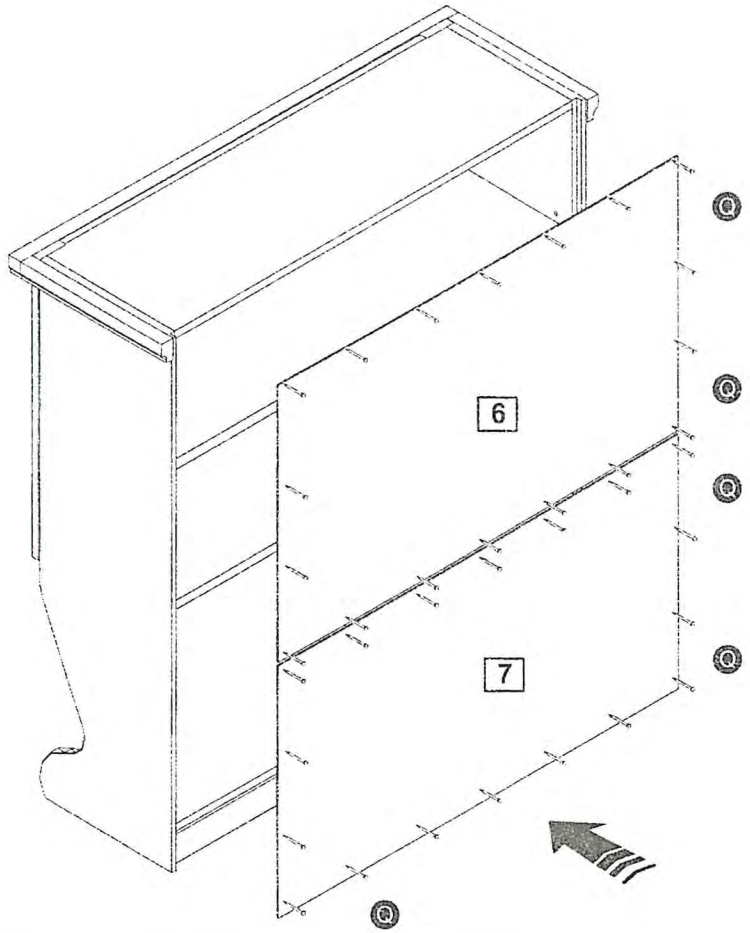
10

K x 4

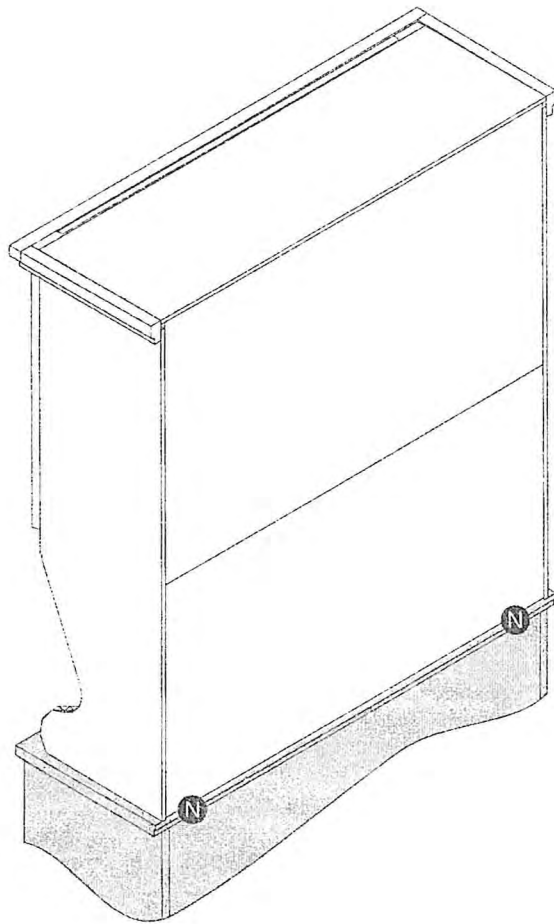


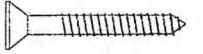
11

C x 34

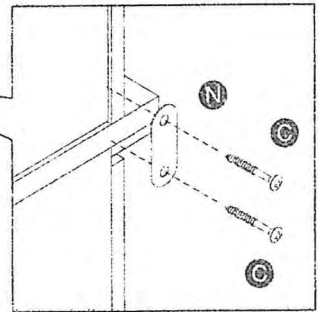


12

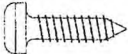



⊙ x 4  3,5x20

⊙ x 2 



13

⊙ x 1  3,5x14

⊙ x 2 

⊙ x 1 

