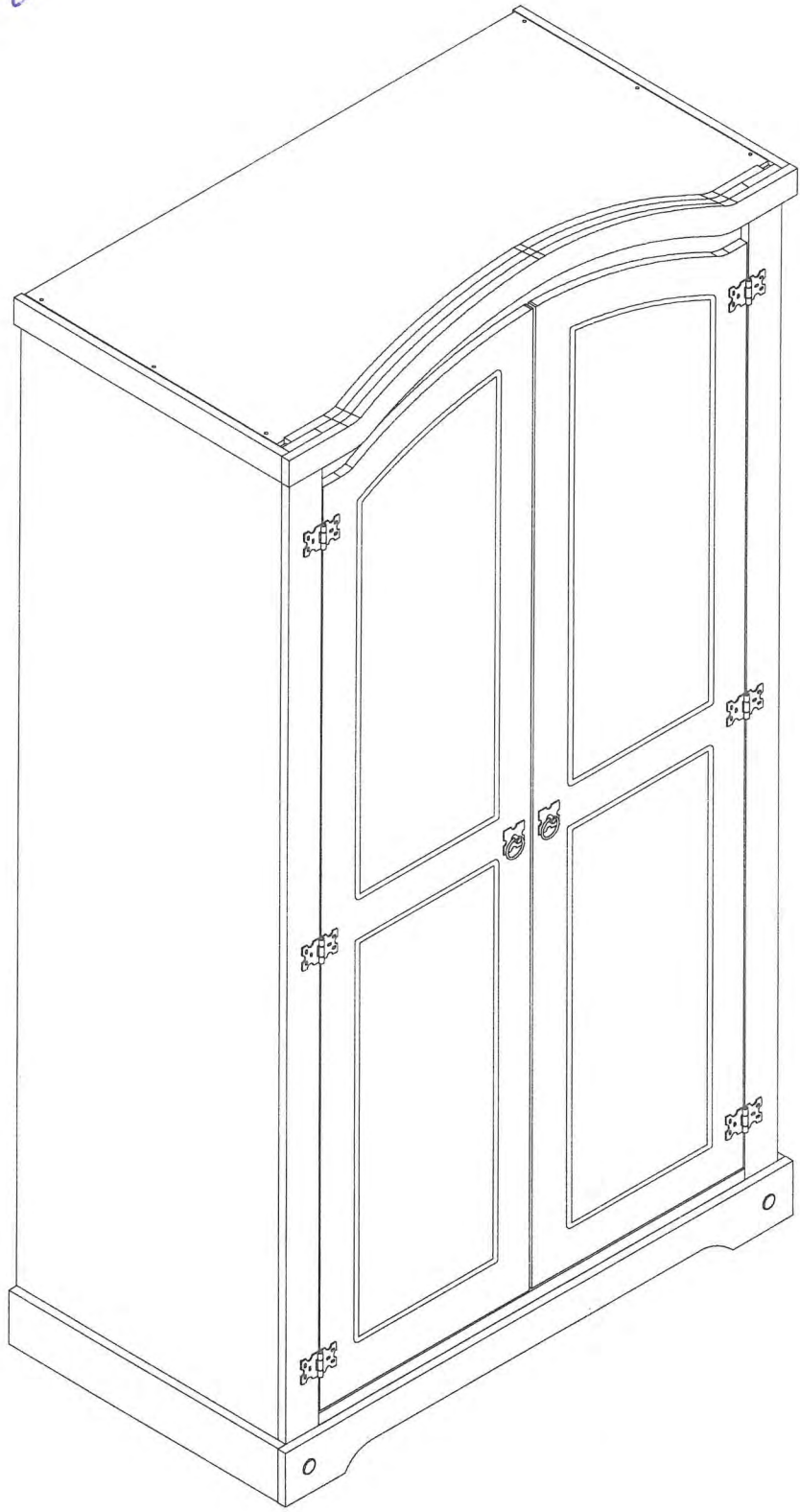
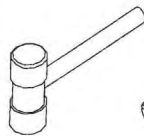
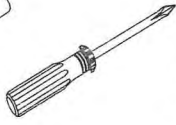
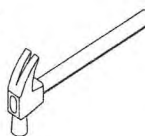


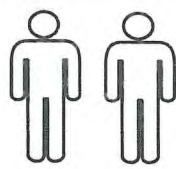
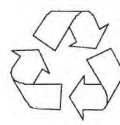
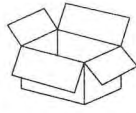
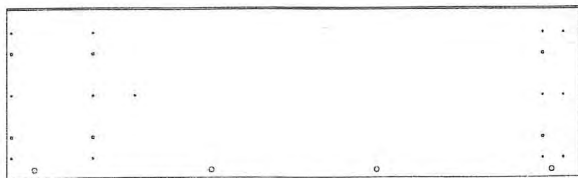


162830

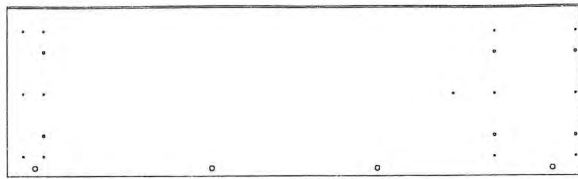


							
------------------------------------------------------------------------------------	-------------------------------------------------------------------------------------	-------------------------------------------------------------------------------------	-------------------------------------------------------------------------------------	-------------------------------------------------------------------------------------	--------------------------------------------------------------------------------------	---------------------------------------------------------------------------------------	---------------------------------------------------------------------------------------

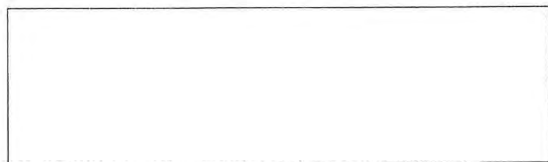
0 mm 1 2 3 4 5 6 7 8 9 10 11 12 13 14 15 16



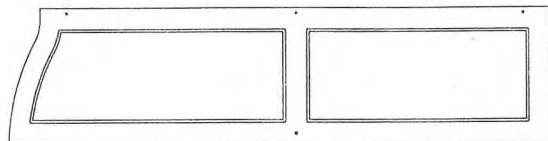
1 177.3 x 52cm



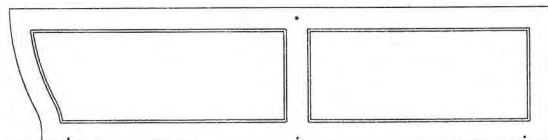
2 177.3 x 52cm



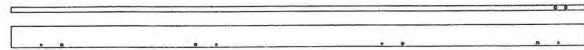
3 167.4 x 47.7cm (2x)



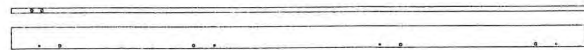
4 167 x 41.6cm



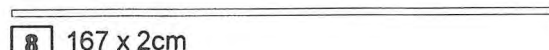
5 167 x 41.6cm



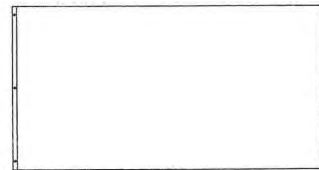
6 178 x 6.5cm



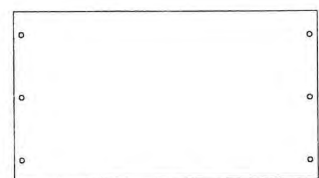
7 178 x 6.5cm



8 167 x 2cm



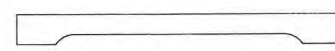
9 97 x 50cm



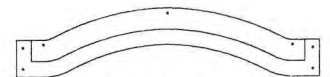
10 94.2 x 51.5cm (2x)



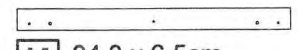
11 100.4 x 4.5cm



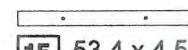
12 100.5 x 9.2cm



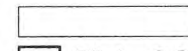
13 93.6 x 11.2cm



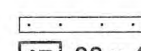
14 84.3 x 6.5cm



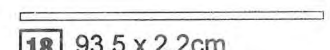
15 53.4 x 4.5cm (2x)



16 53.4 x 9.2cm (2x)

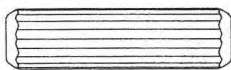


17 38 x 4.5cm (6x)



18 93.5 x 2.2cm

A x 26



8x30

B x 62



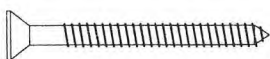
3,5x14

C x 49



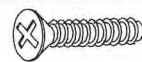
3,5x25

D x 3

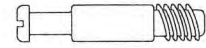


4,0x40

E x 2



F x 20



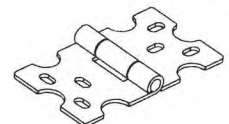
G x 20



H x 2



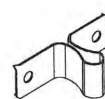
I x 6



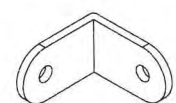
J x 4



K x 4



L x 1



M x 2



N x 2



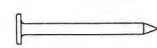
O x 4



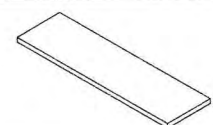
P x 2




Q x 50

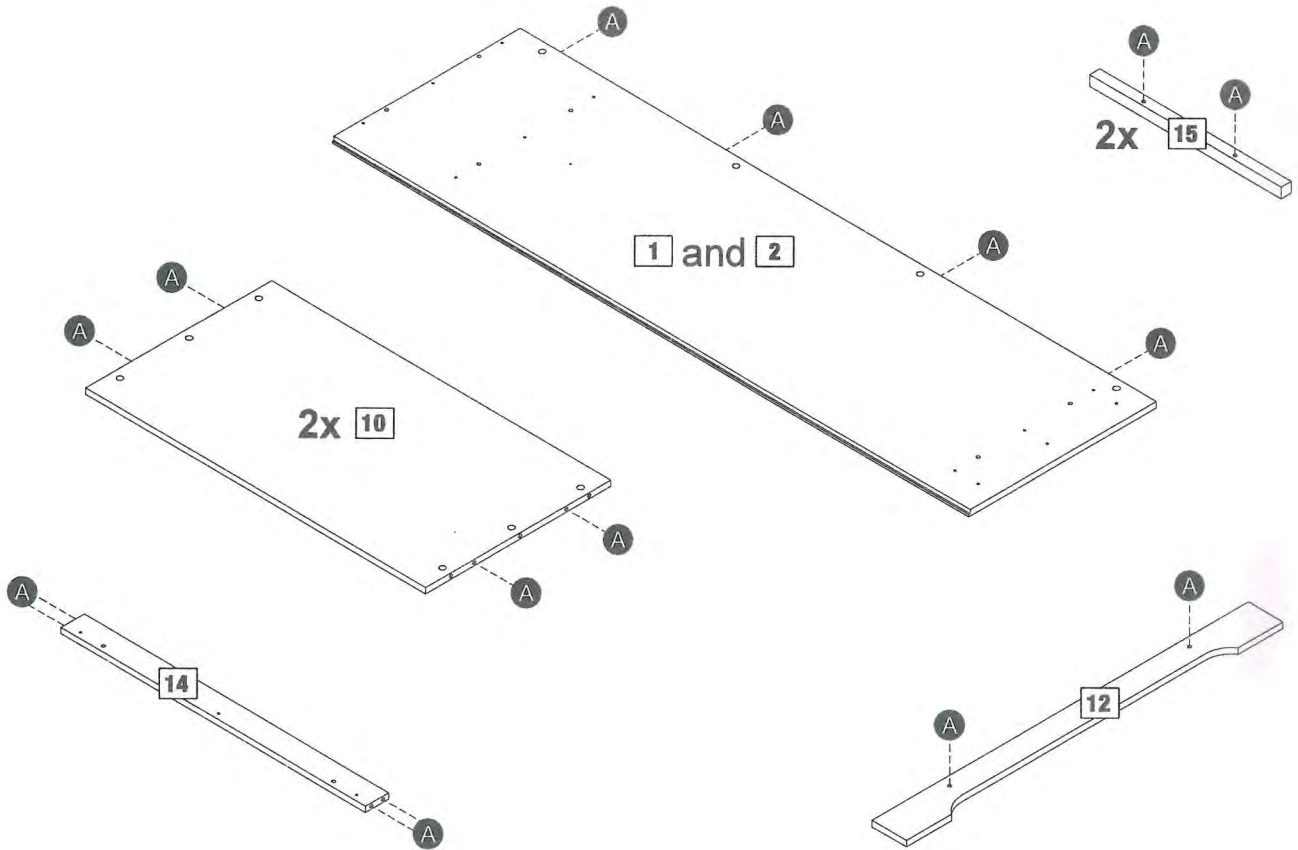


R x 1

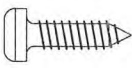


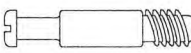
1

A x 26  8x30

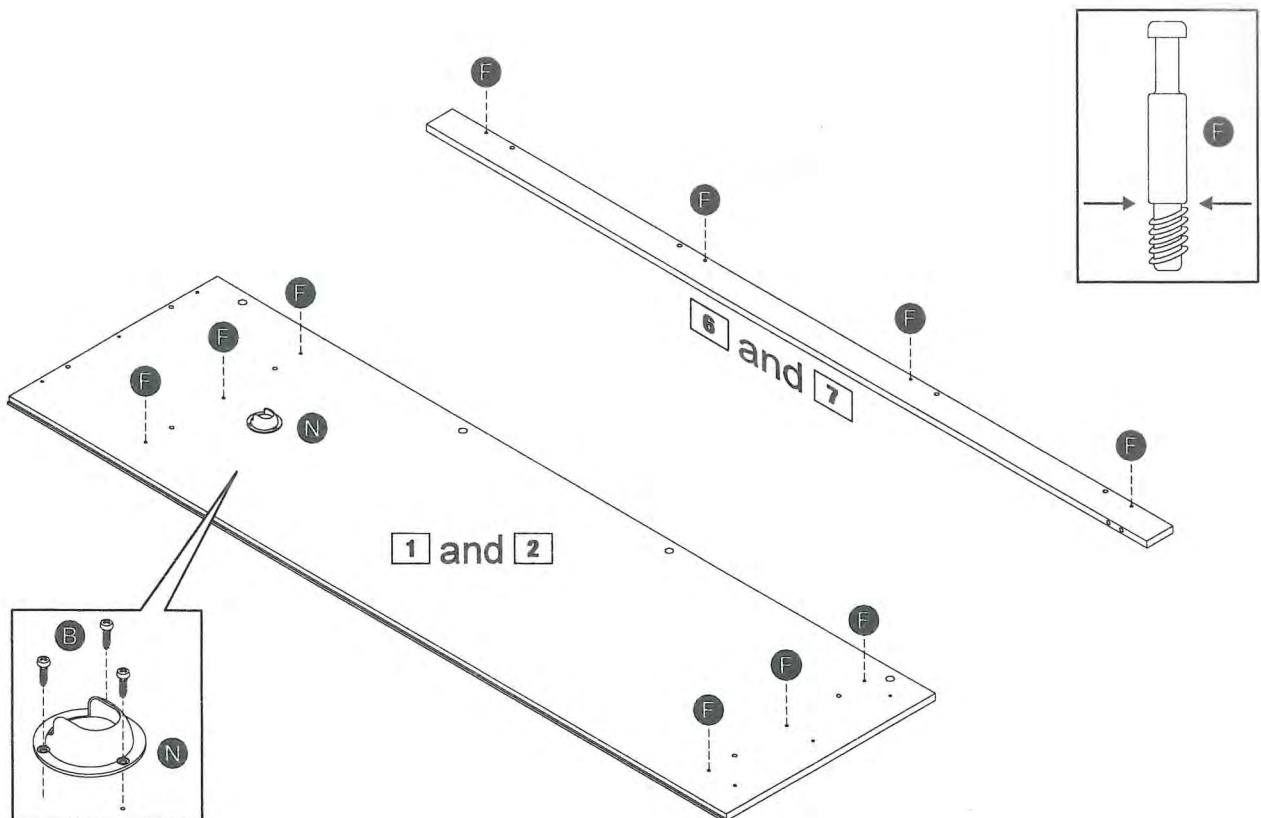


2

B x 6  3,5x14

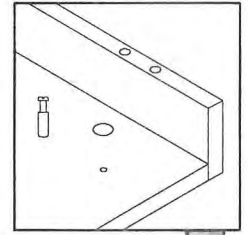
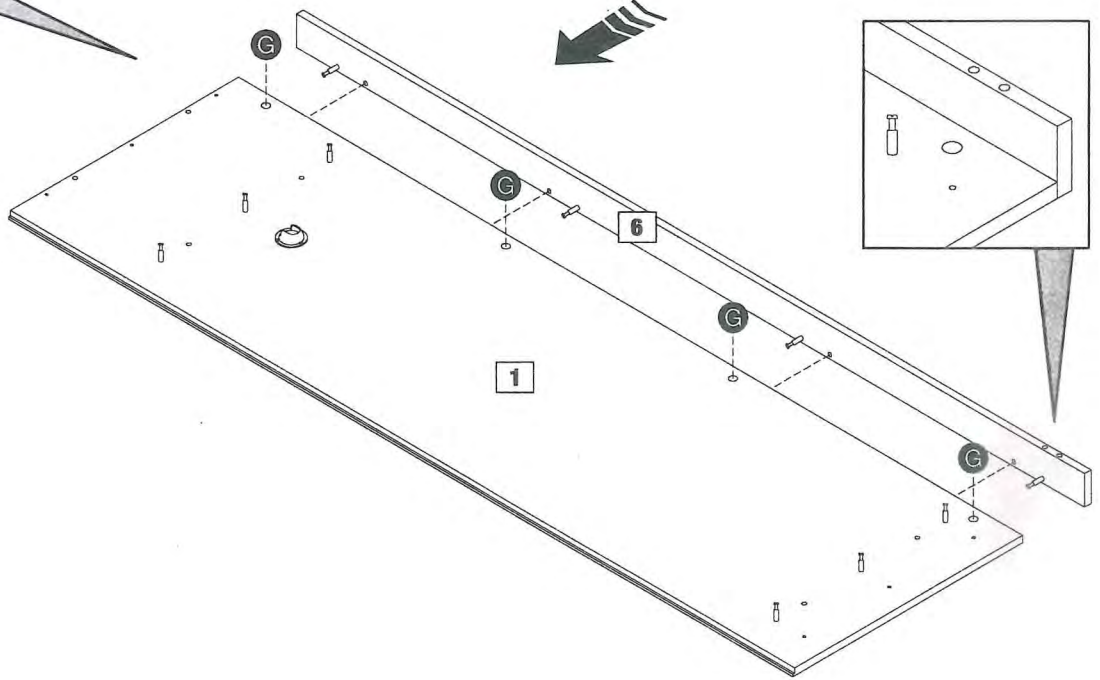
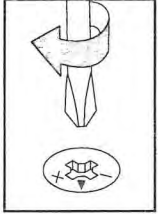
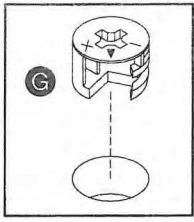
F x 20 

N x 2 



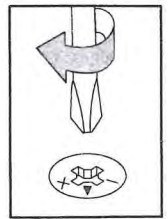
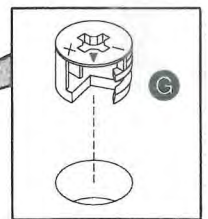
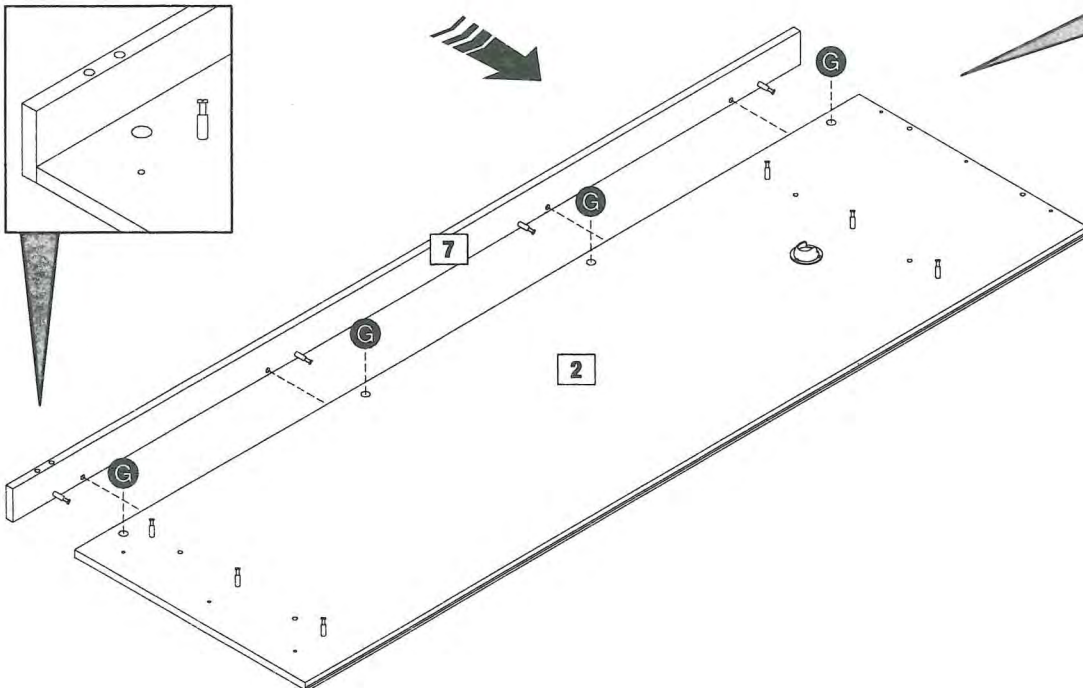
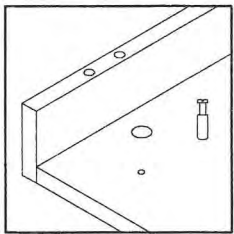
3

G x 4



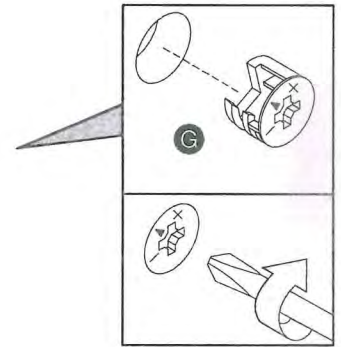
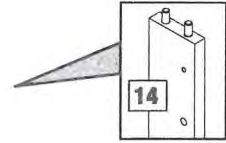
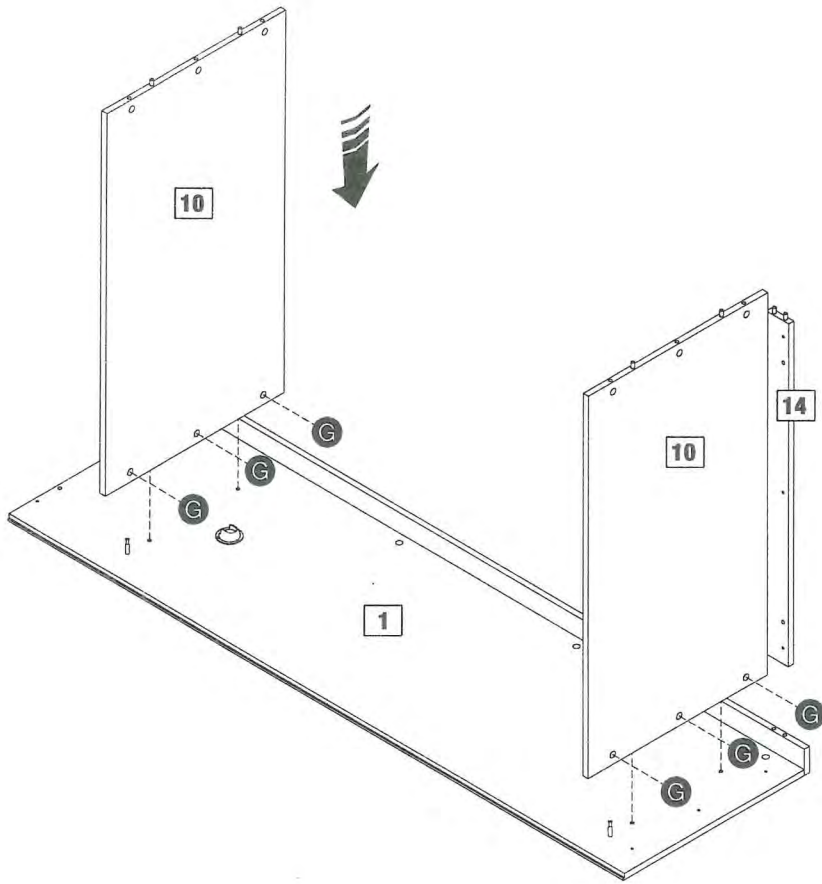
4

G x 4



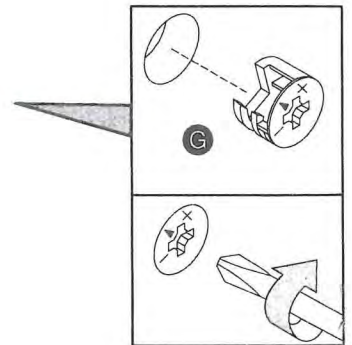
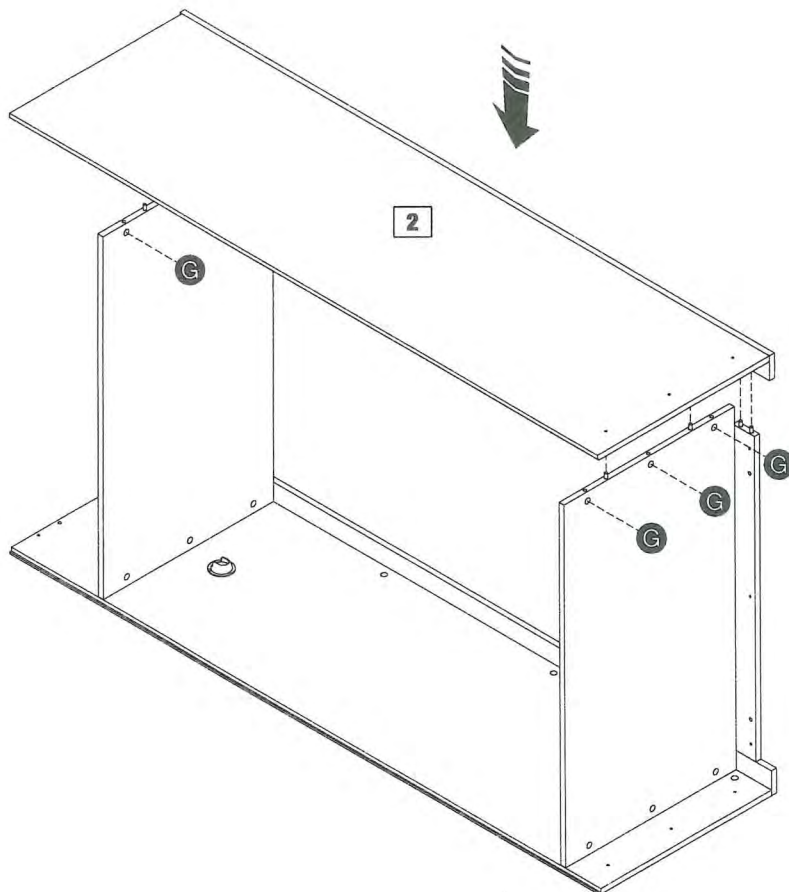
5

G x 6



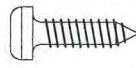
6

G x 6



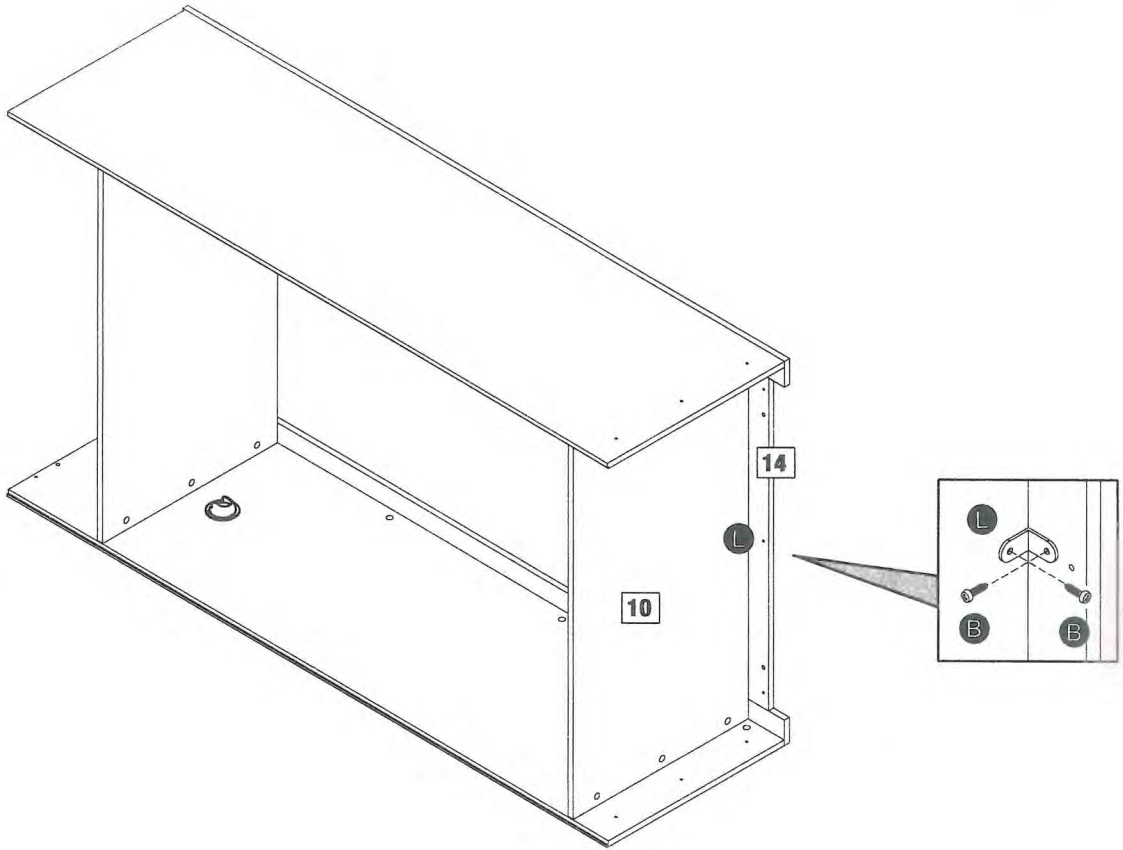
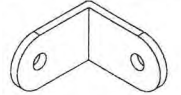
7

B x 2



3,5x14

L x 1

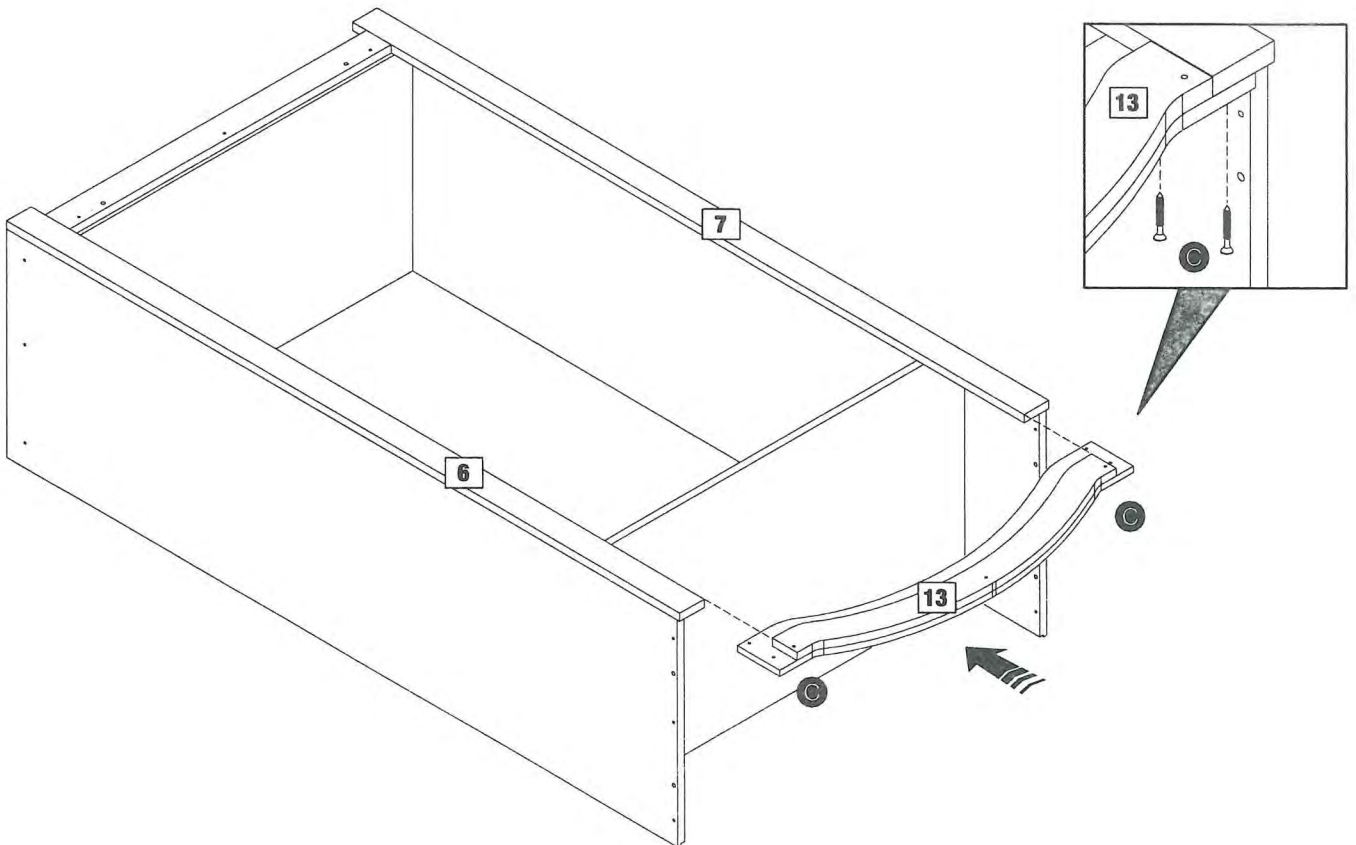


8

C x 4



3,5x25

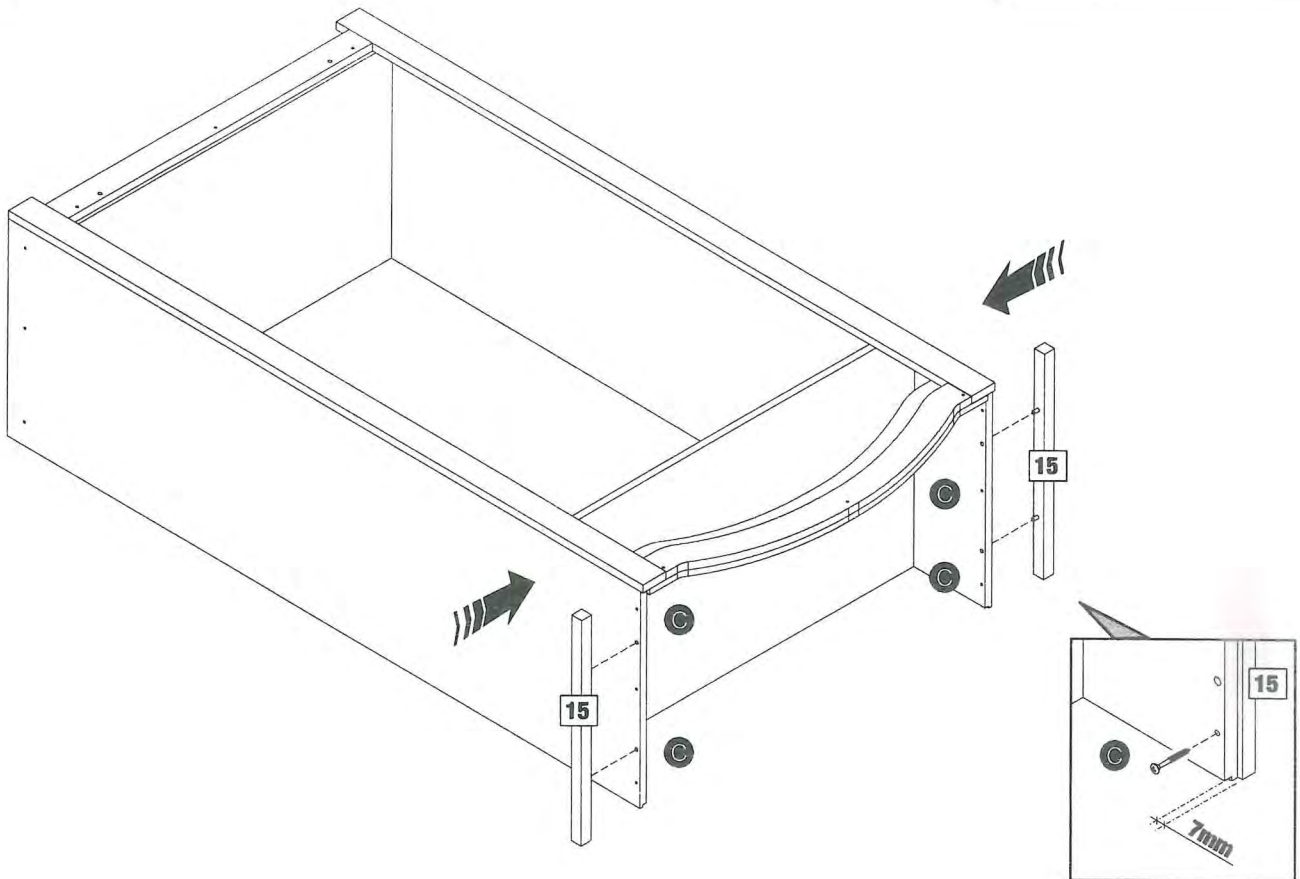


9

C x 6

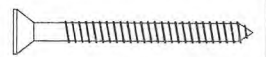


3,5x25

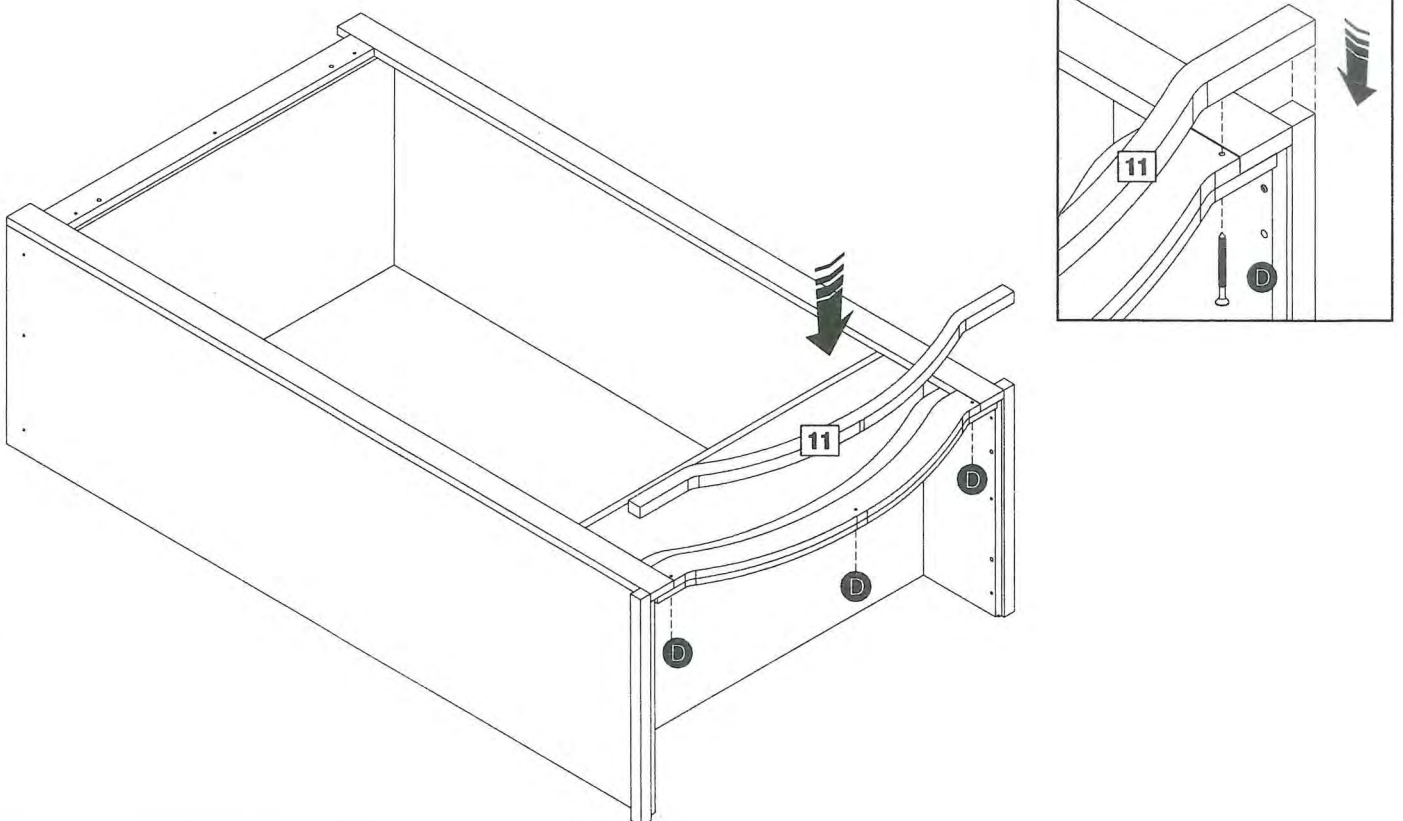


10

D x 3

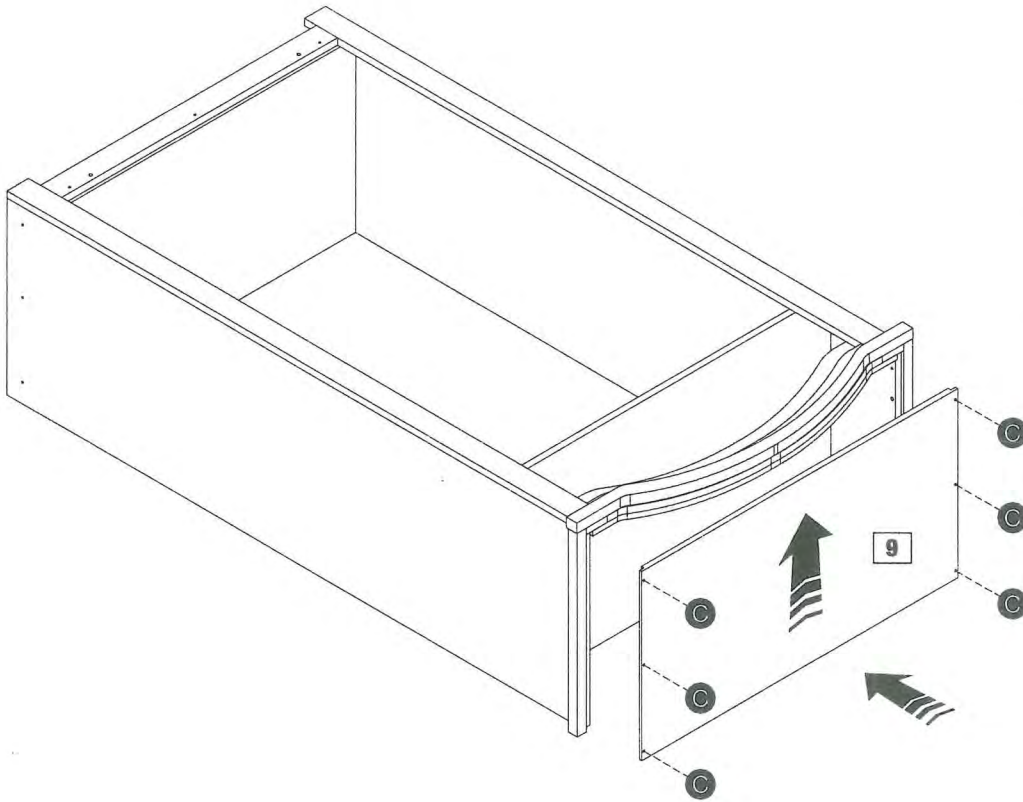


4,0x40



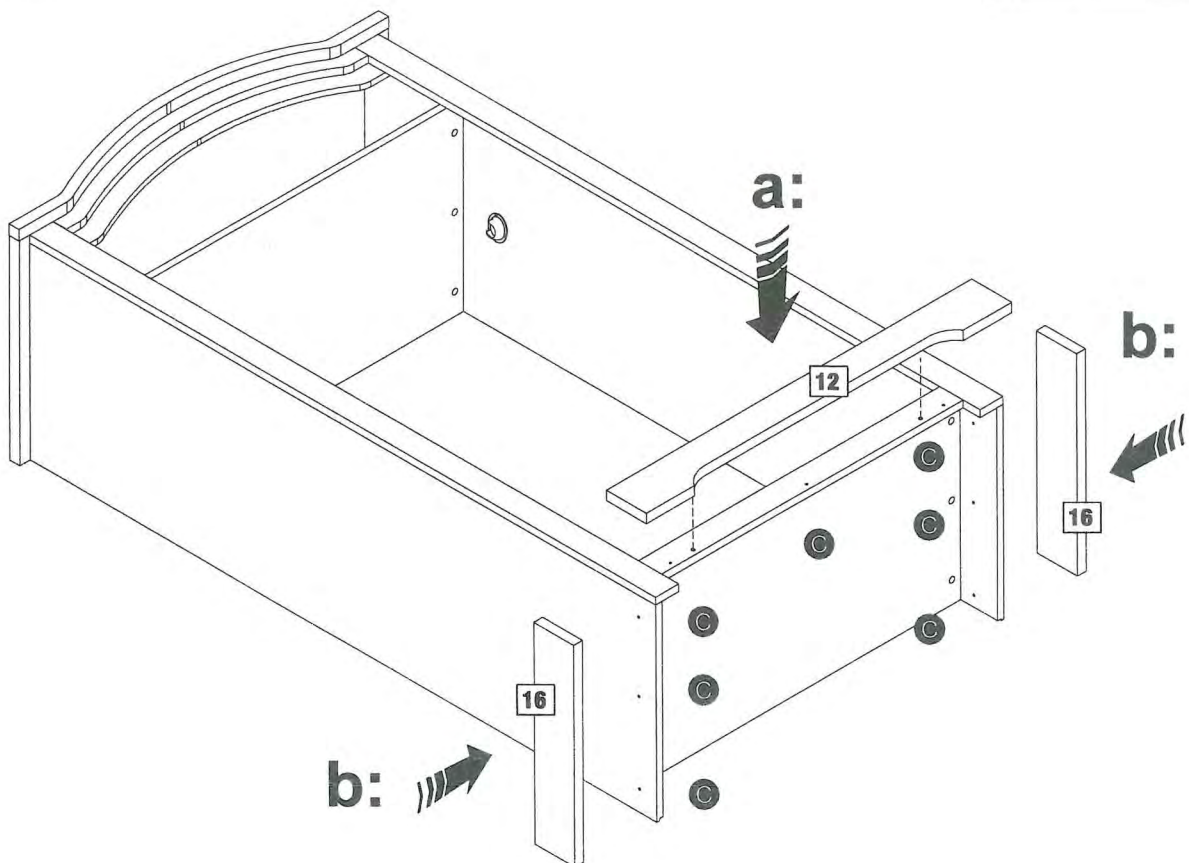
11

⊙ x 6 3,5x25



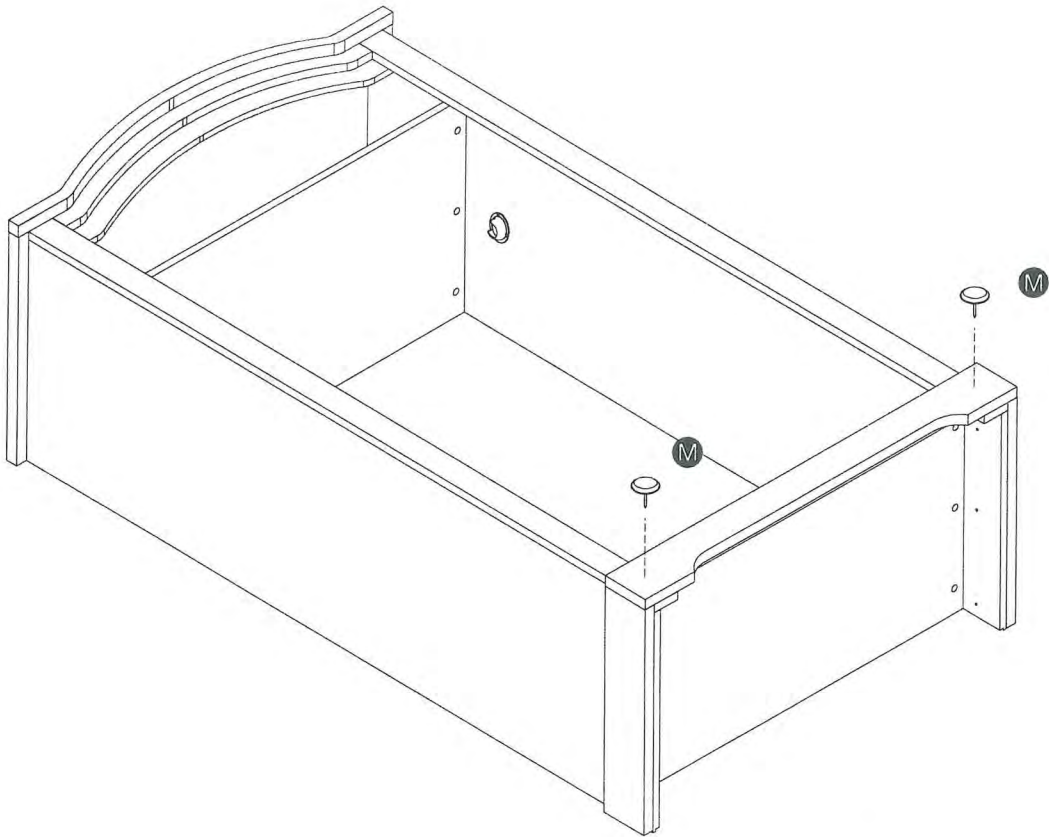
12

⊙ x 9 3,5x25

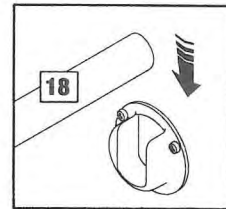
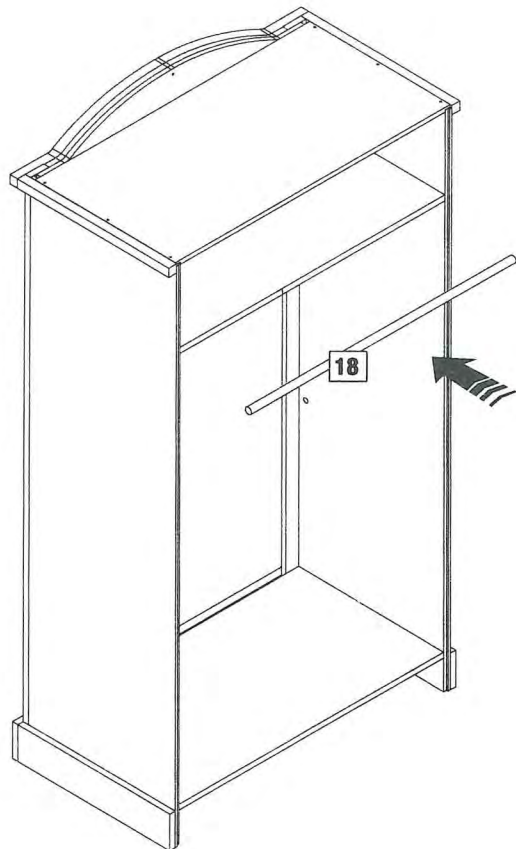


13

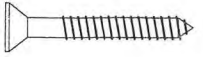
M x 2

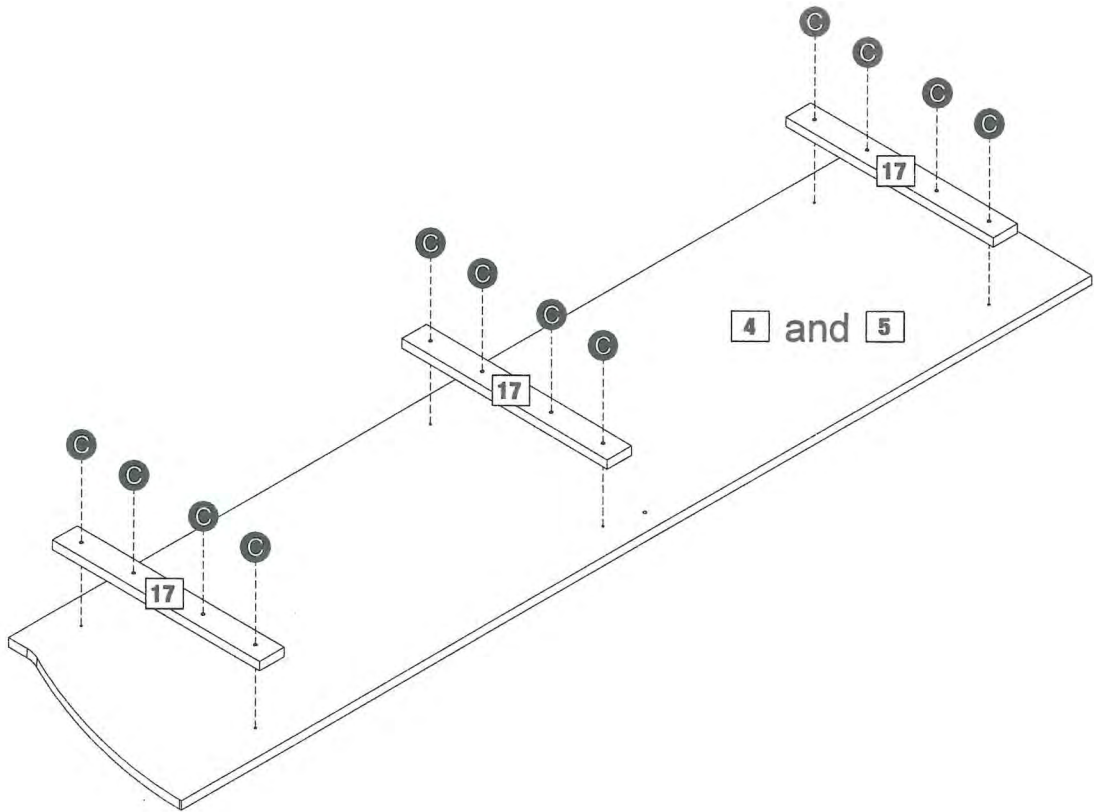


14

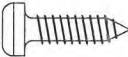


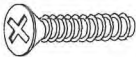
15


C x 24 
3,5x25

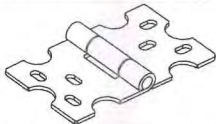


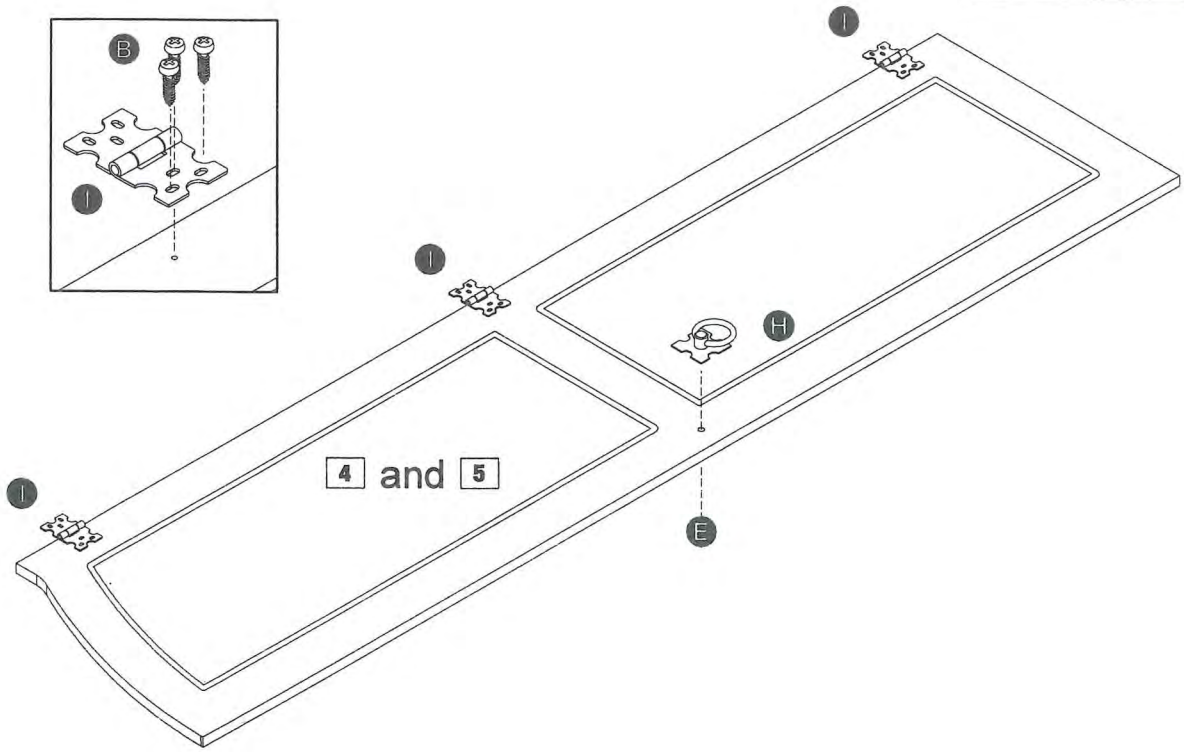
16

B x 18 
3,5x14

E x 2 

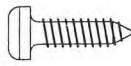
H x 2 

I x 6 



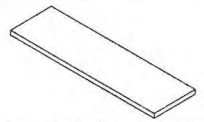
17

B x 18

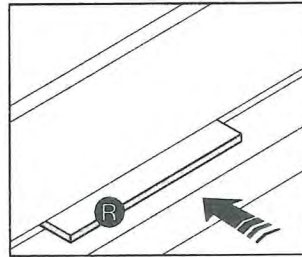


3,5x14

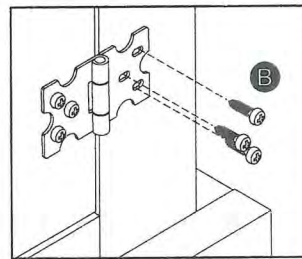
R x 1



a:

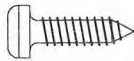


b:



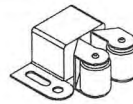
18

B x 16

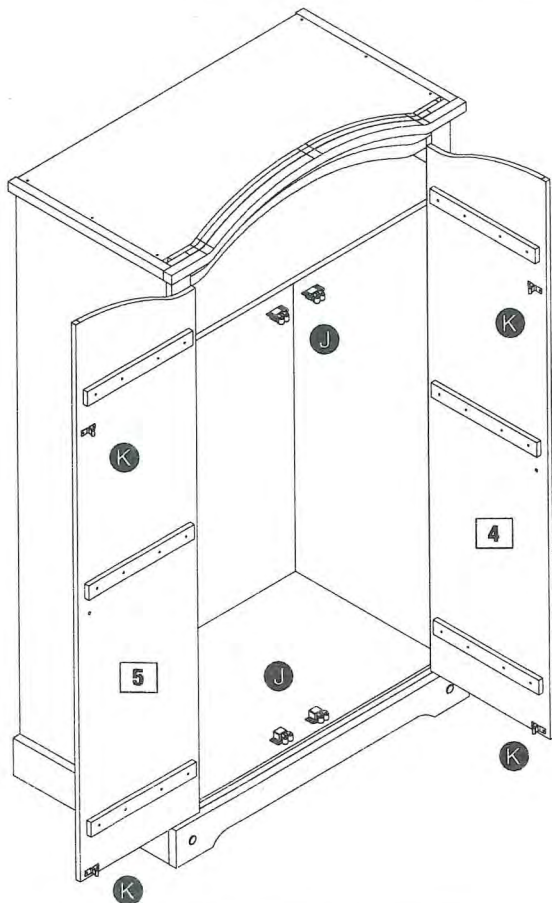
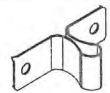


3,5x14

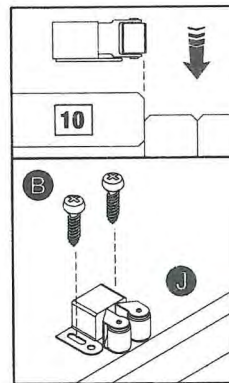
J x 4



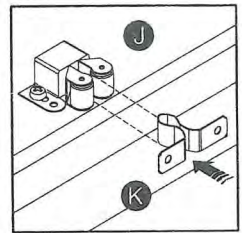
K x 4



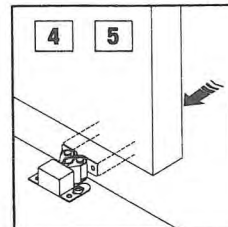
a:



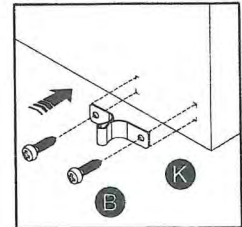
b:



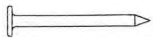
c:

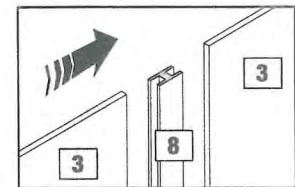
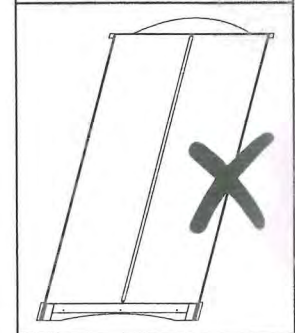
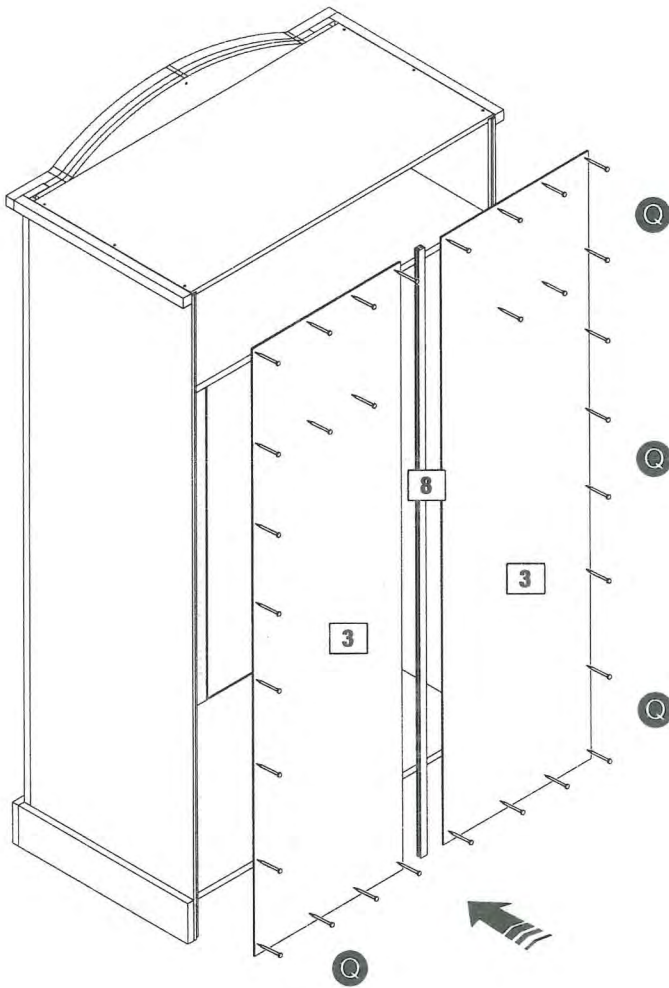


d:




19

Q x 50 



20

B x 2 
3,5x14

O x 4 

P x 2 

