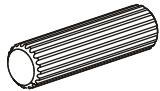
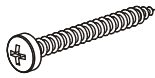
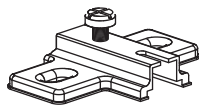

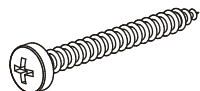
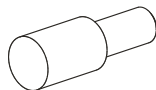

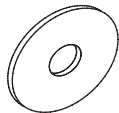
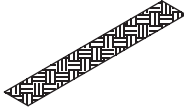


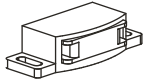


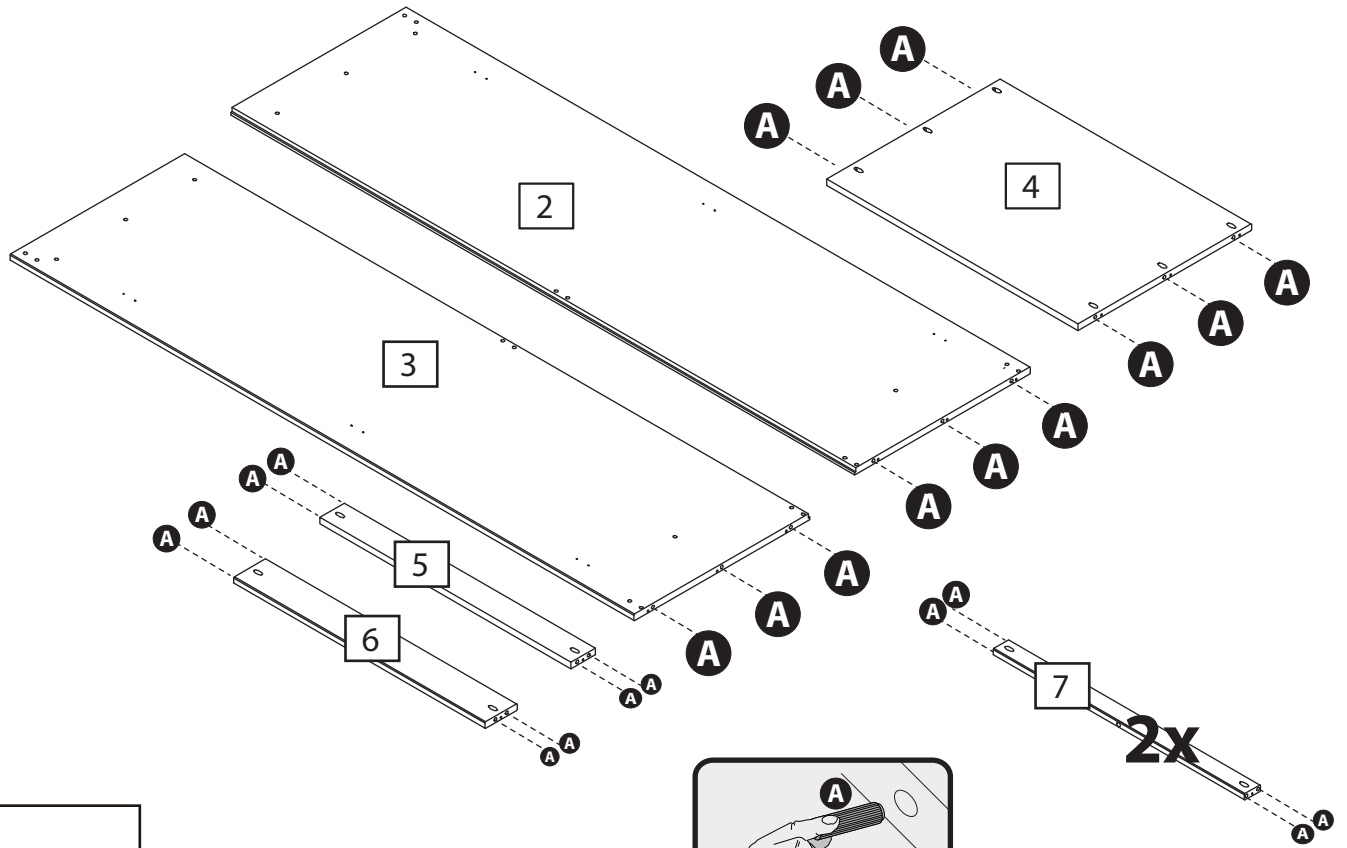


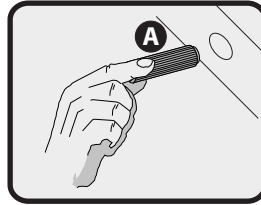
A x 28  8,0 x 30mm	B x 44  3,5 x 30mm	C x 06  	D x 06  	E x 10  4,0 x 40mm
F x 16  	G x 26  	H x 02  	I x 01  	J x 25  4,0 x 16mm
L x 02  	M x 02  	N x 02  	O x 08  3,0 x 16mm	

1

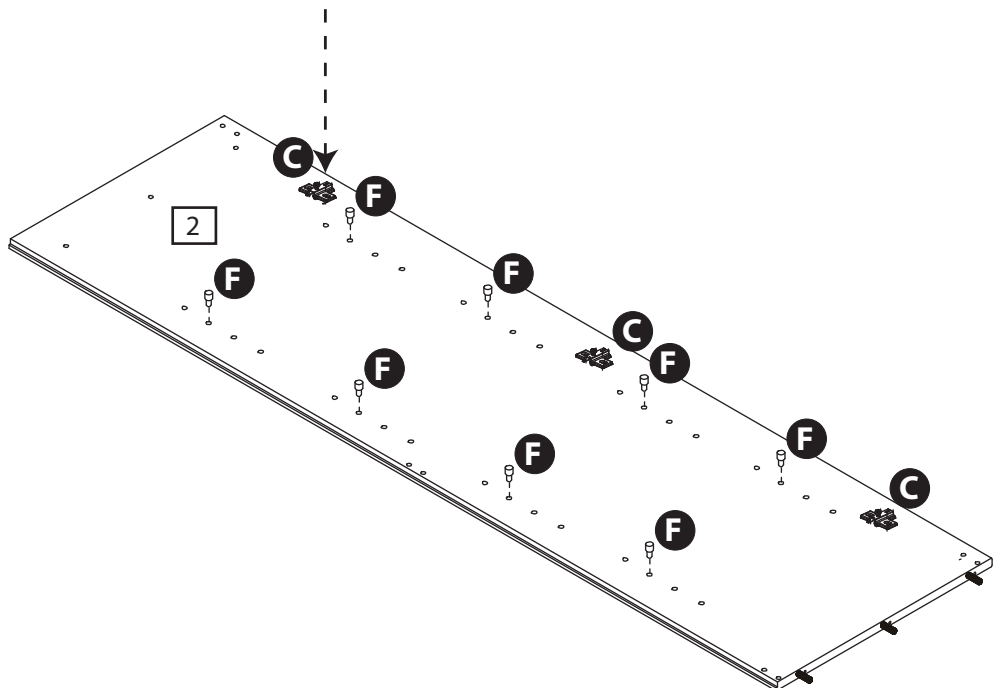
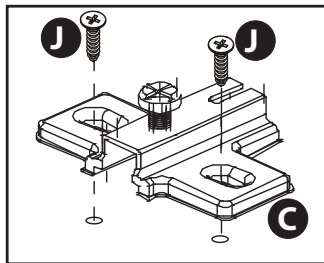


A x 28

8,0 x 30mm



2



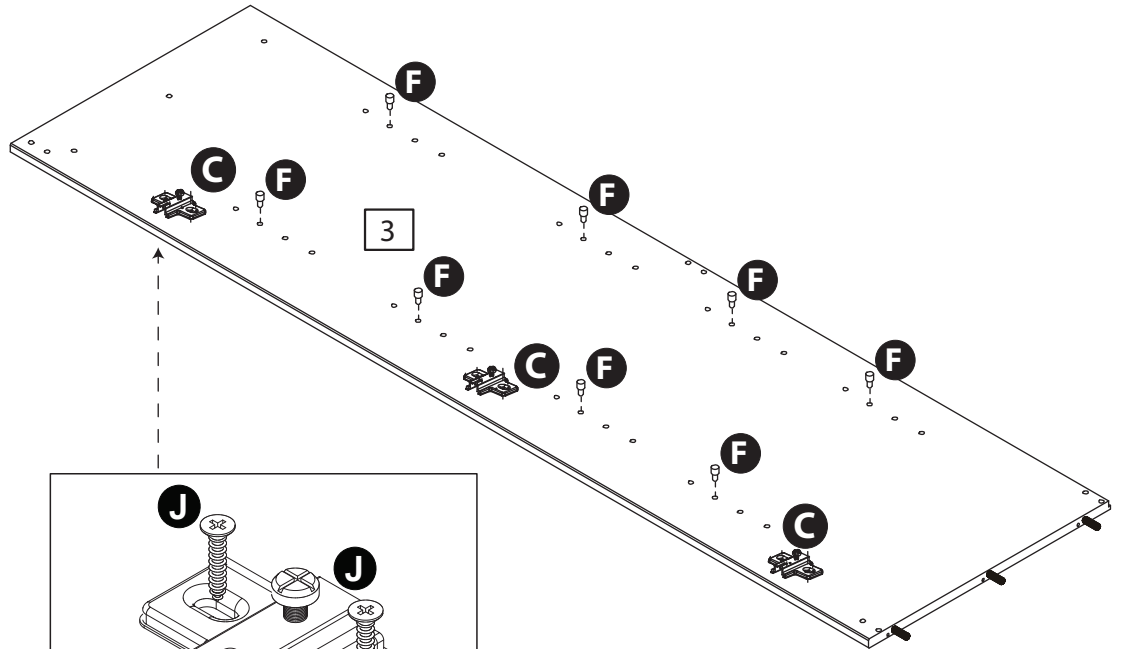
J x 06

4,0 x 16mm

F x 08

C x 03

3

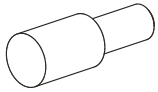


J x 06

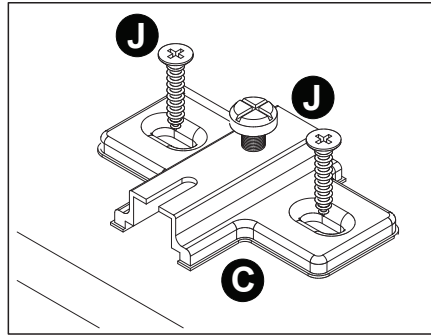
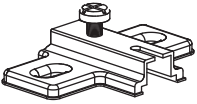


4,0 x 16mm

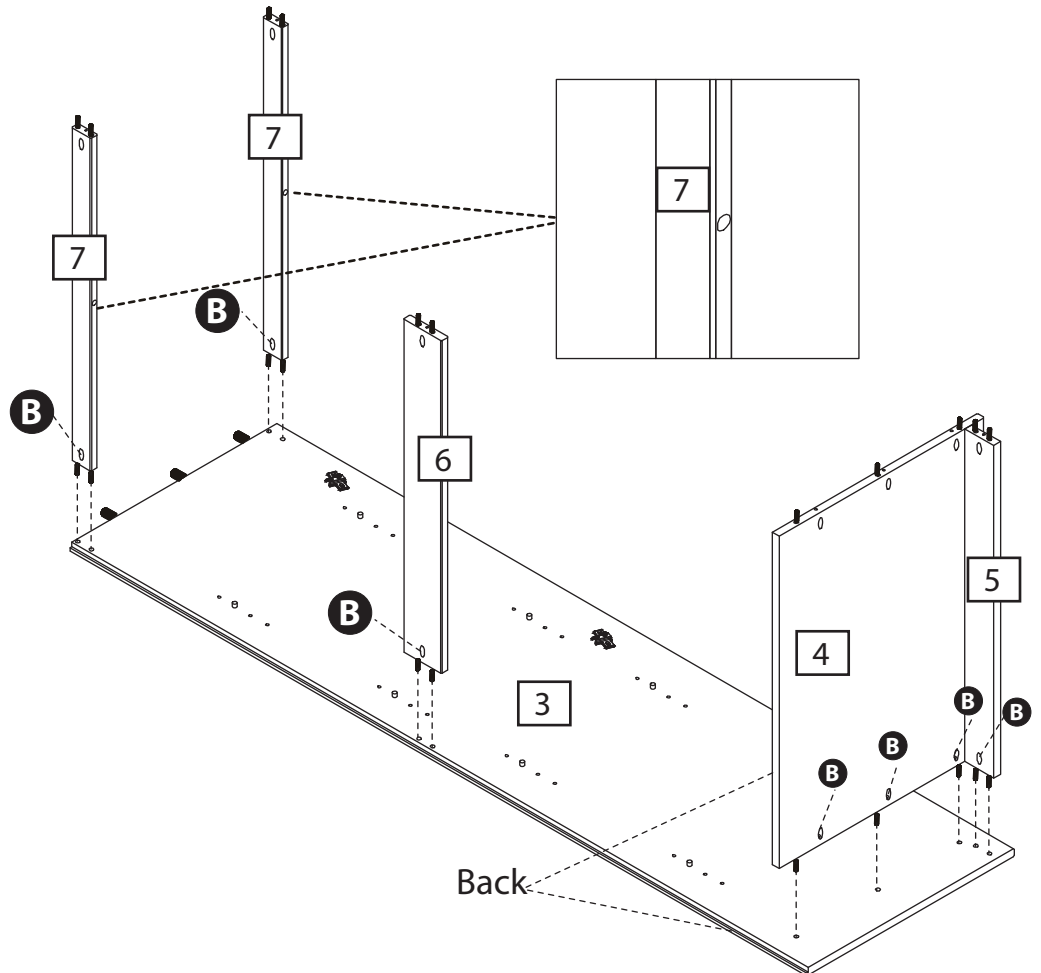
F x 08



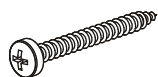
C x 03



4

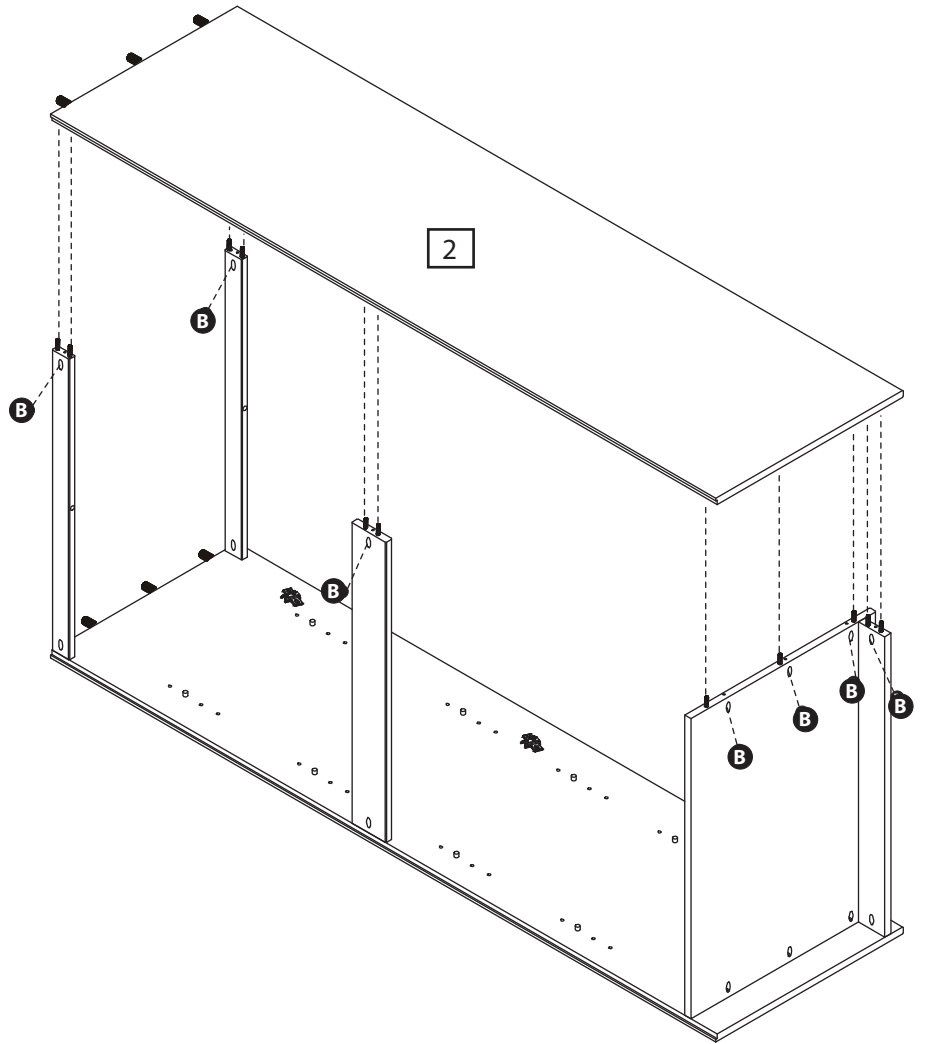


B x 07

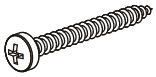


3,5 x 30mm

5

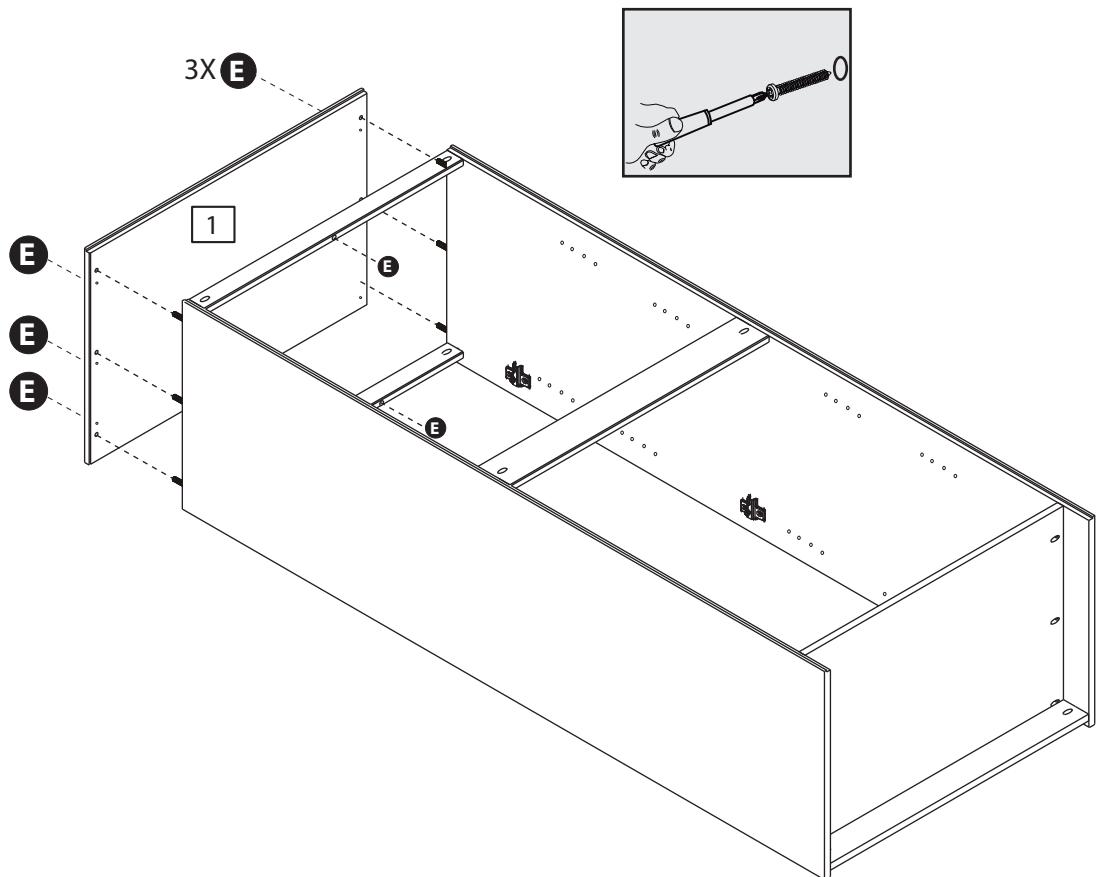


B x 07



3,5 x 30mm

6



3X **E**

E

E

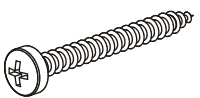
E

1

E

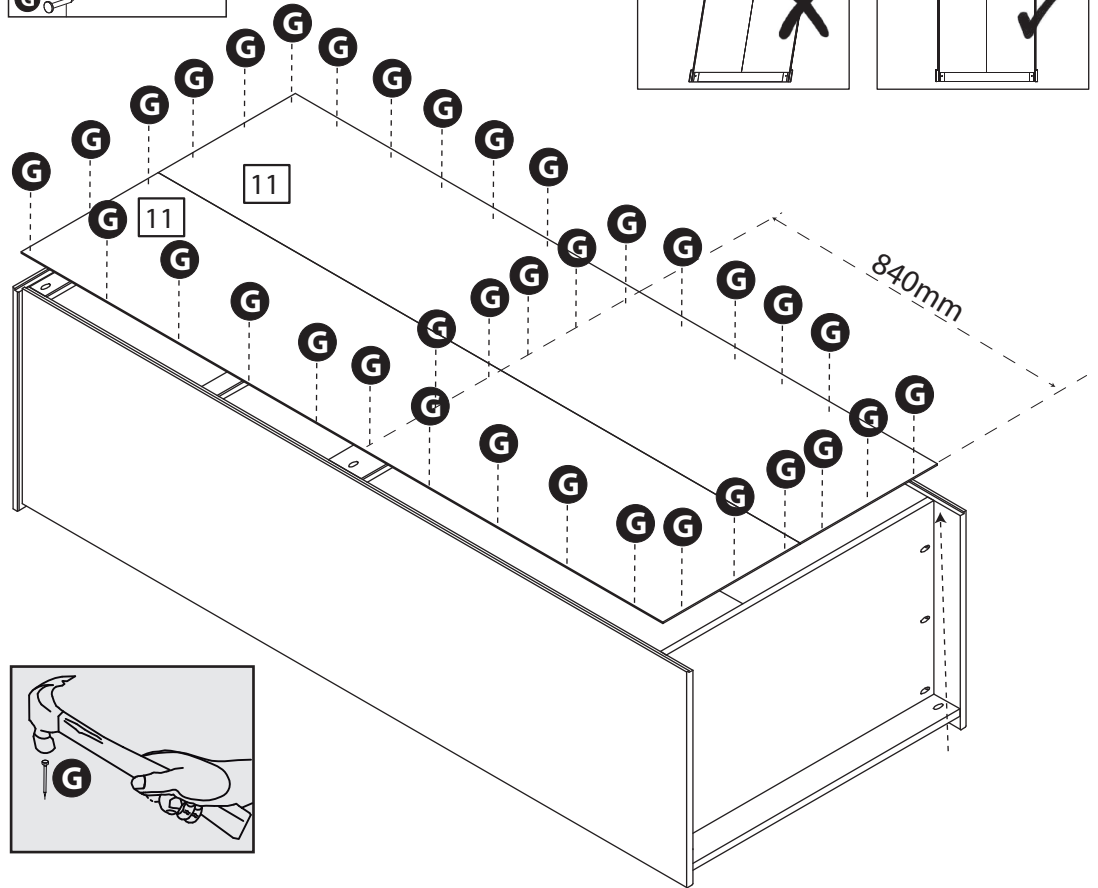
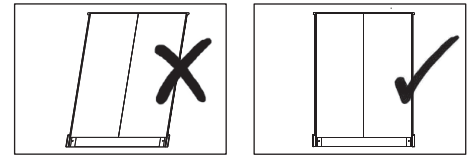
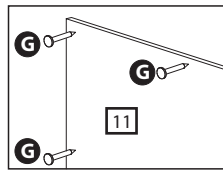
E

E x 08

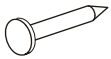


4,0 x 40mm

7



G x 26



8

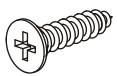
2x

B x 30



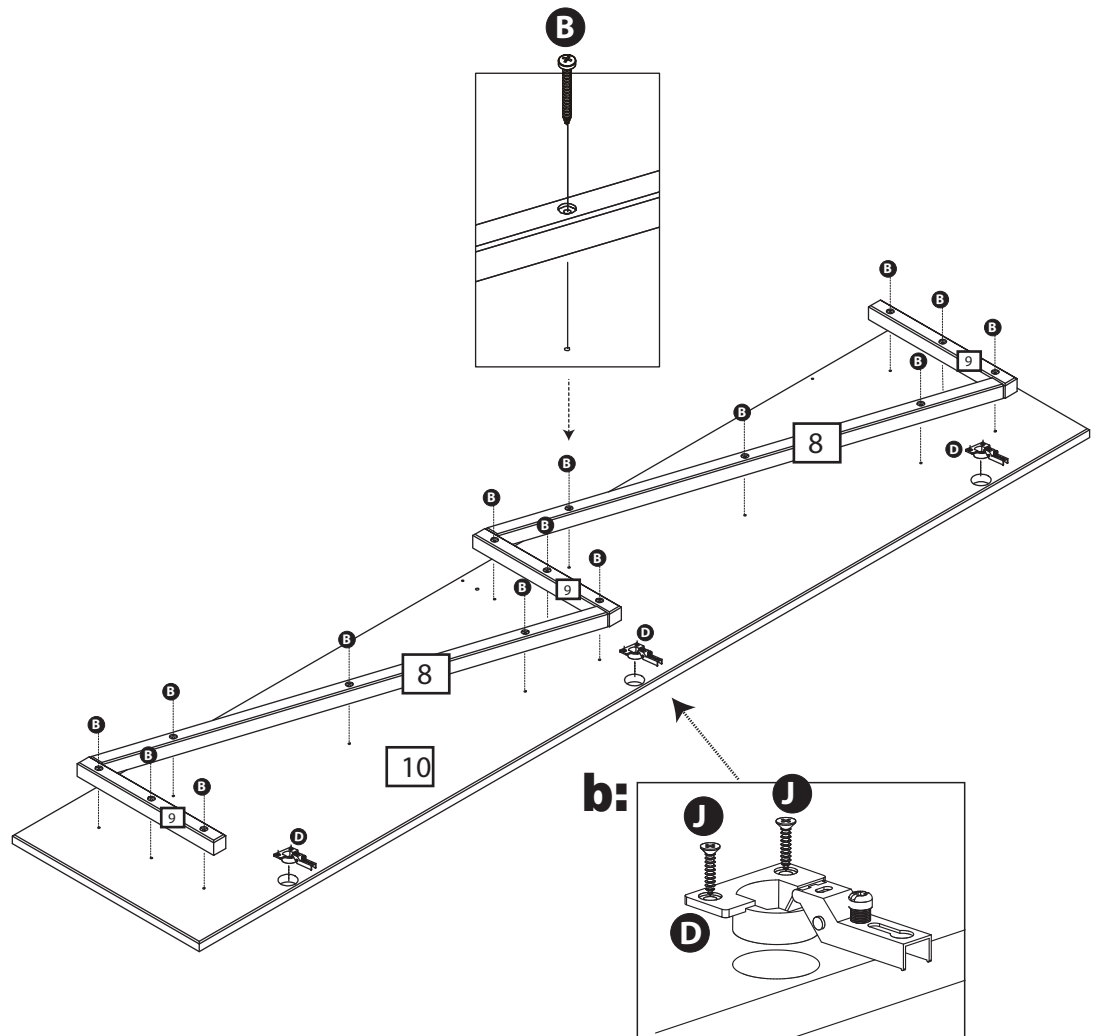
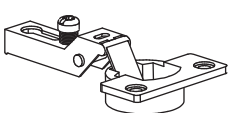
3,5 x 30mm

J x 12

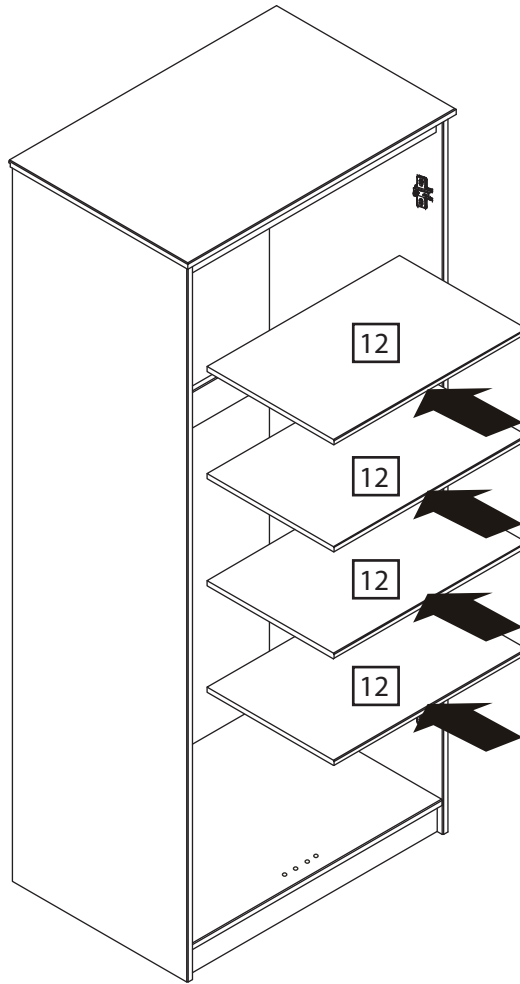
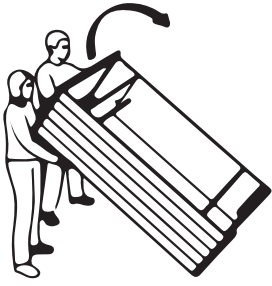


4,0 x 16mm

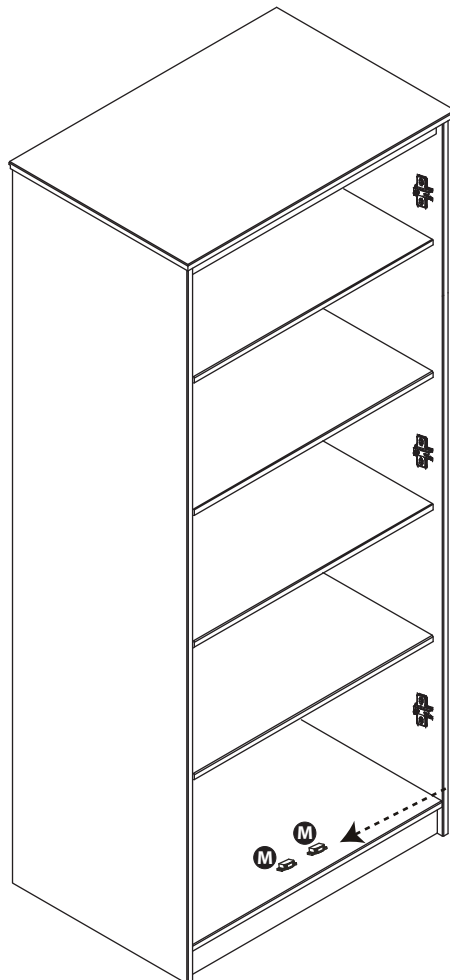
D x 06



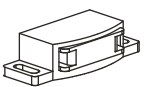
9



10



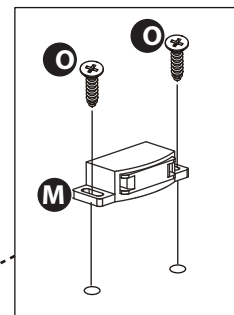
M x 02

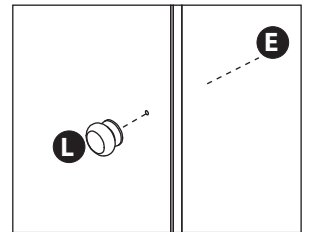
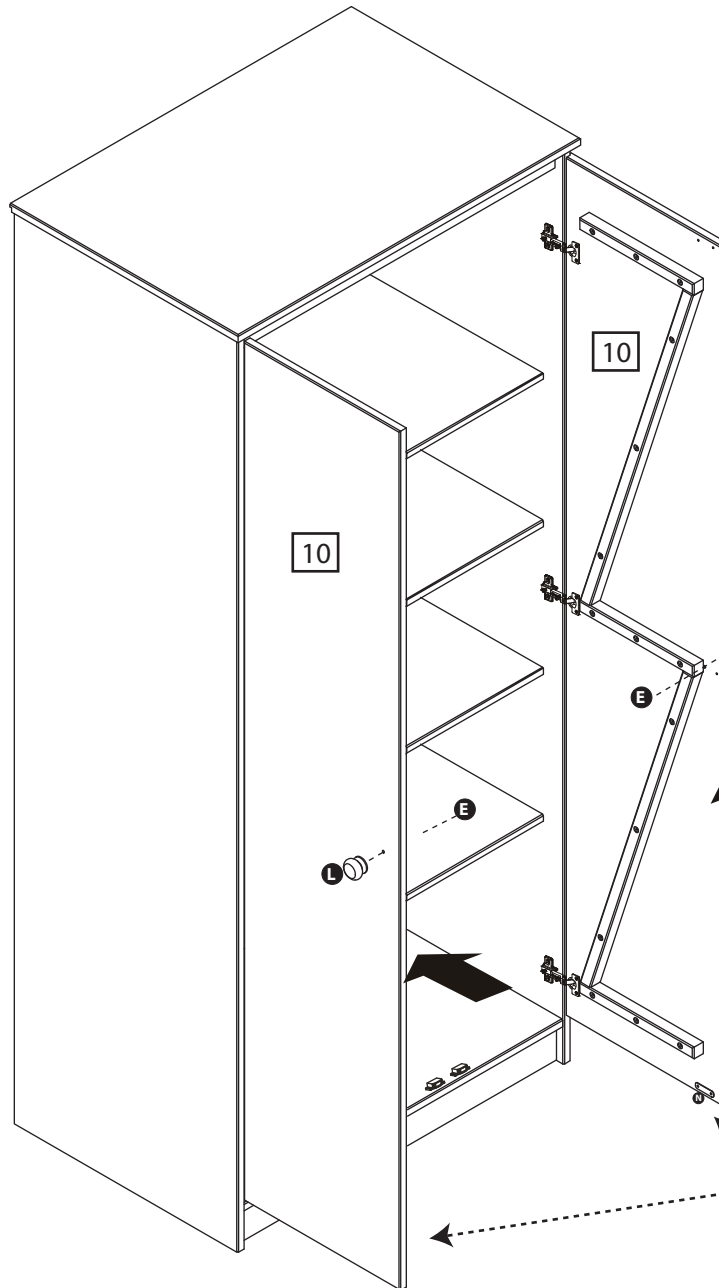
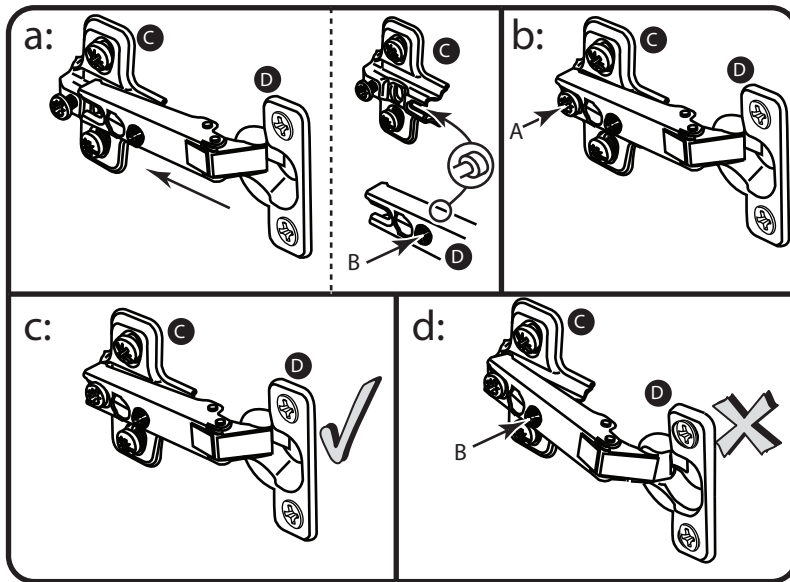


O x 04

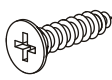


3,0 x 16mm




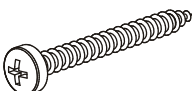


- O** x 04

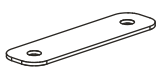


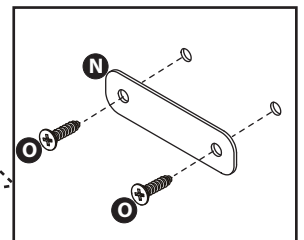
3,0 x 16mm
- L** x 02


- E** x 02

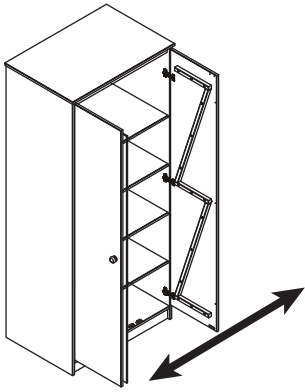


4,0 x 40mm
- N** x 02

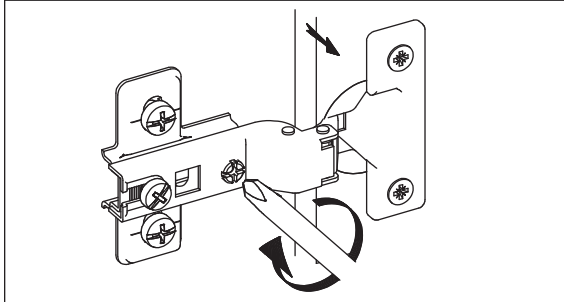




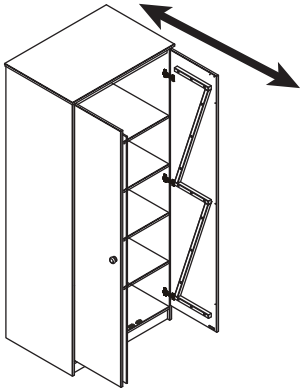
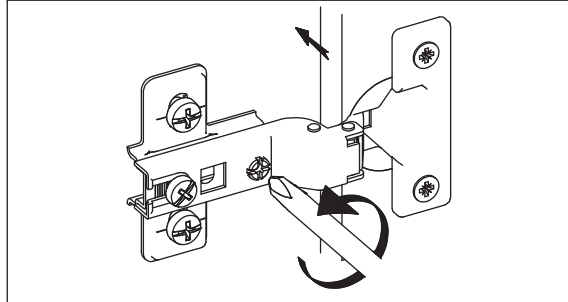
12



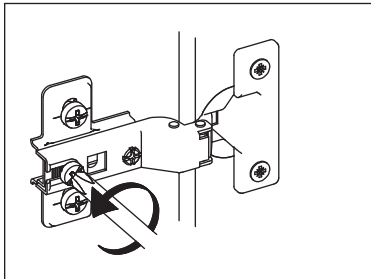
a:



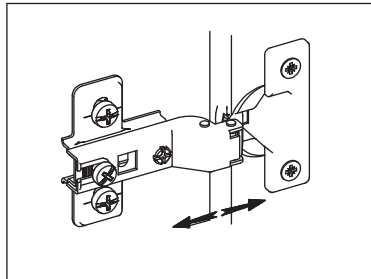
b:



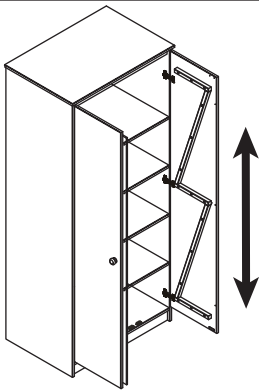
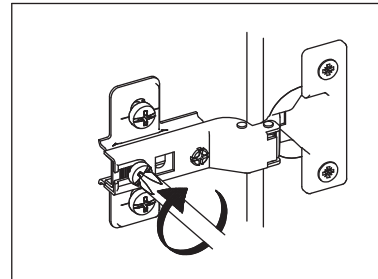
a:



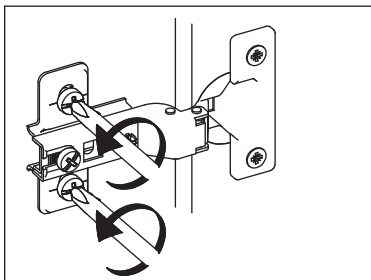
b:



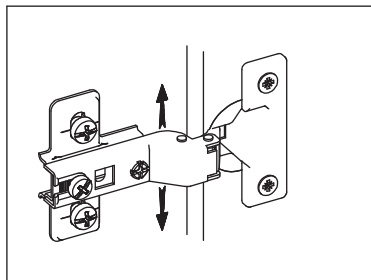
c:



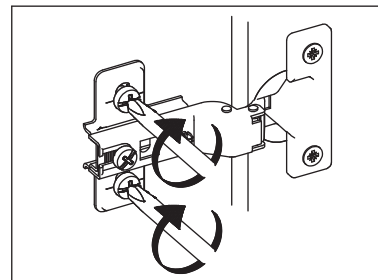
a:



b:



c:



13

