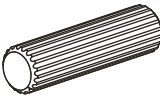
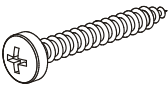

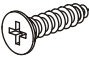
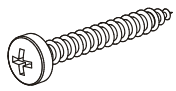
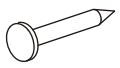
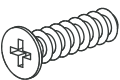
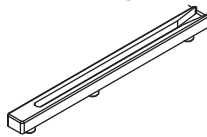
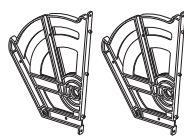
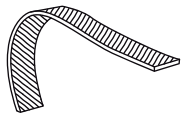

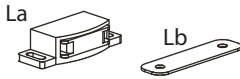

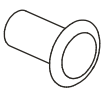

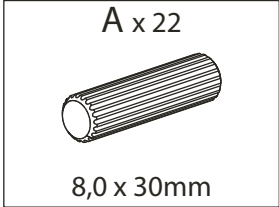
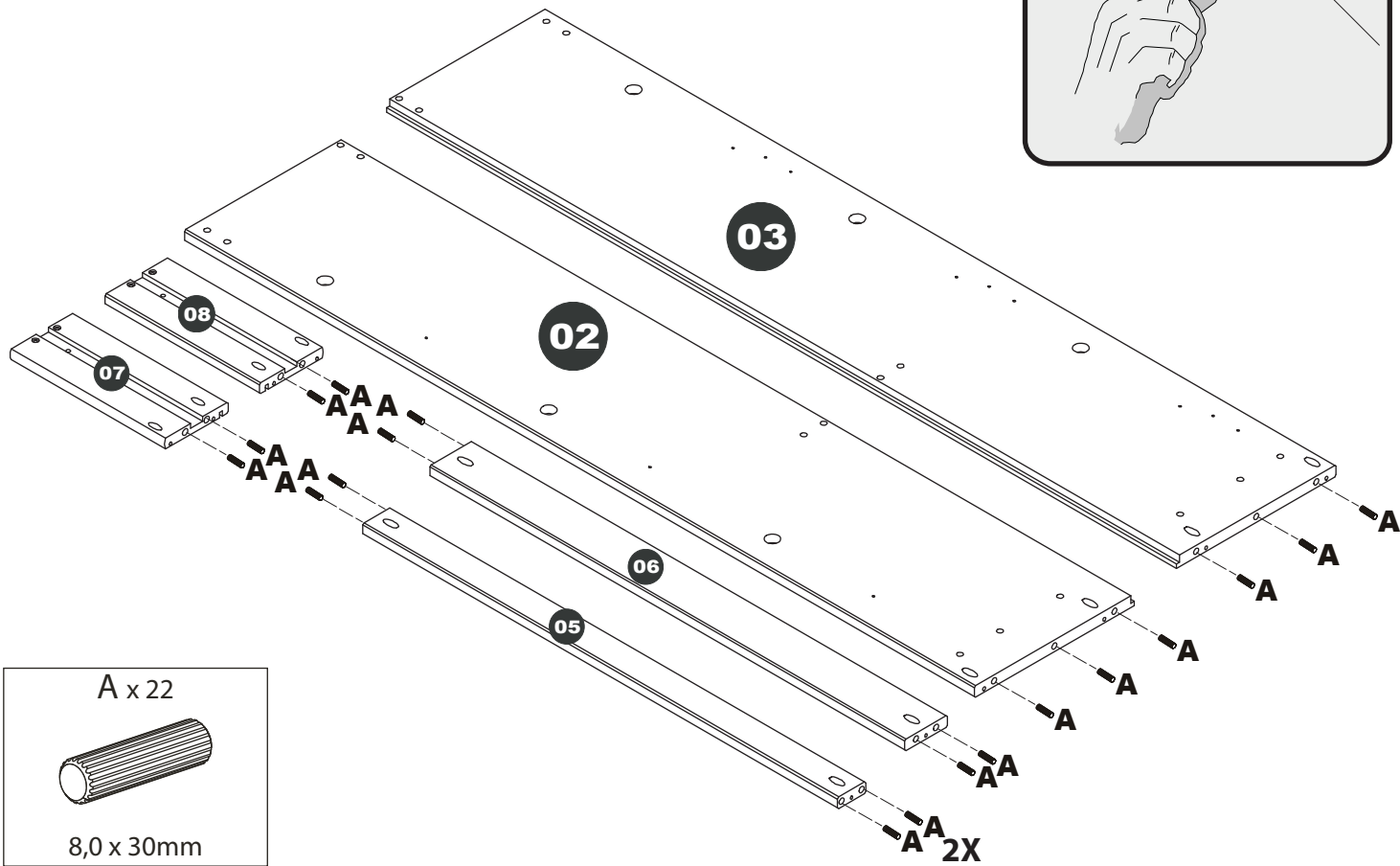
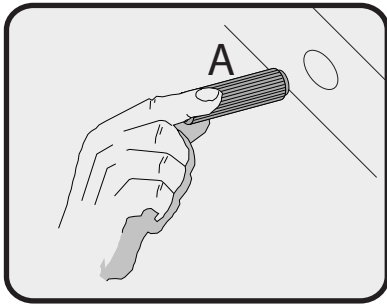
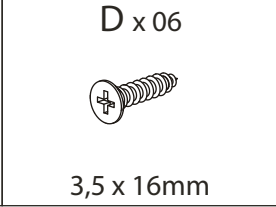
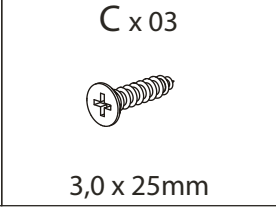
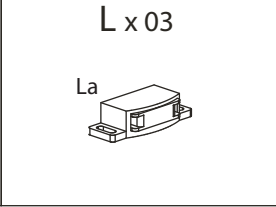
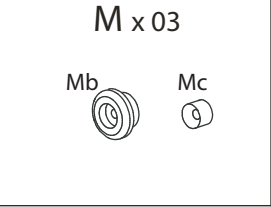
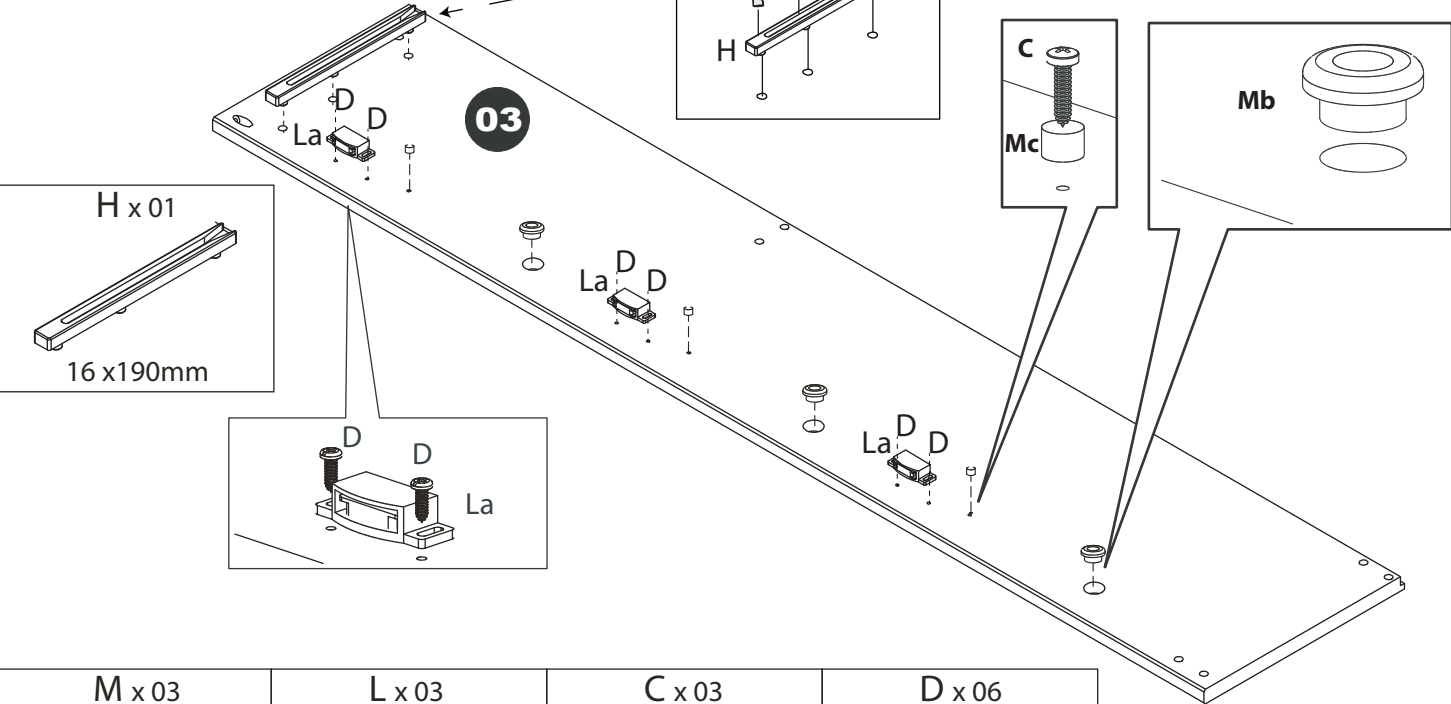
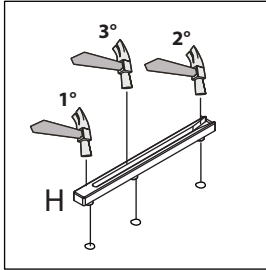


<p>A x 22</p>  <p>8,0 x 30mm</p>	<p>B x 18</p>  <p>3,5 x 30mm</p>	<p>C x 24</p>  <p>3,0 x 25mm</p>	<p>D x 25</p>  <p>3,5 x 16mm</p>	<p>E x 08</p>  <p>4,0 x 40mm</p>
<p>F x 26</p>  <p>1,3 X18mm</p>	<p>G x 06</p>  <p>6,0 x 20mm</p>	<p>H x 02</p>  <p>16 x 190mm</p>	<p>I x 03</p> 	<p>J x 01</p>  <p>150mm</p>
<p>K x 02</p>  <p>16 x 5mm</p>	<p>L x 03</p> 	<p>M x 06</p> 	<p>N x 02</p> 	<p>O x 08</p> 

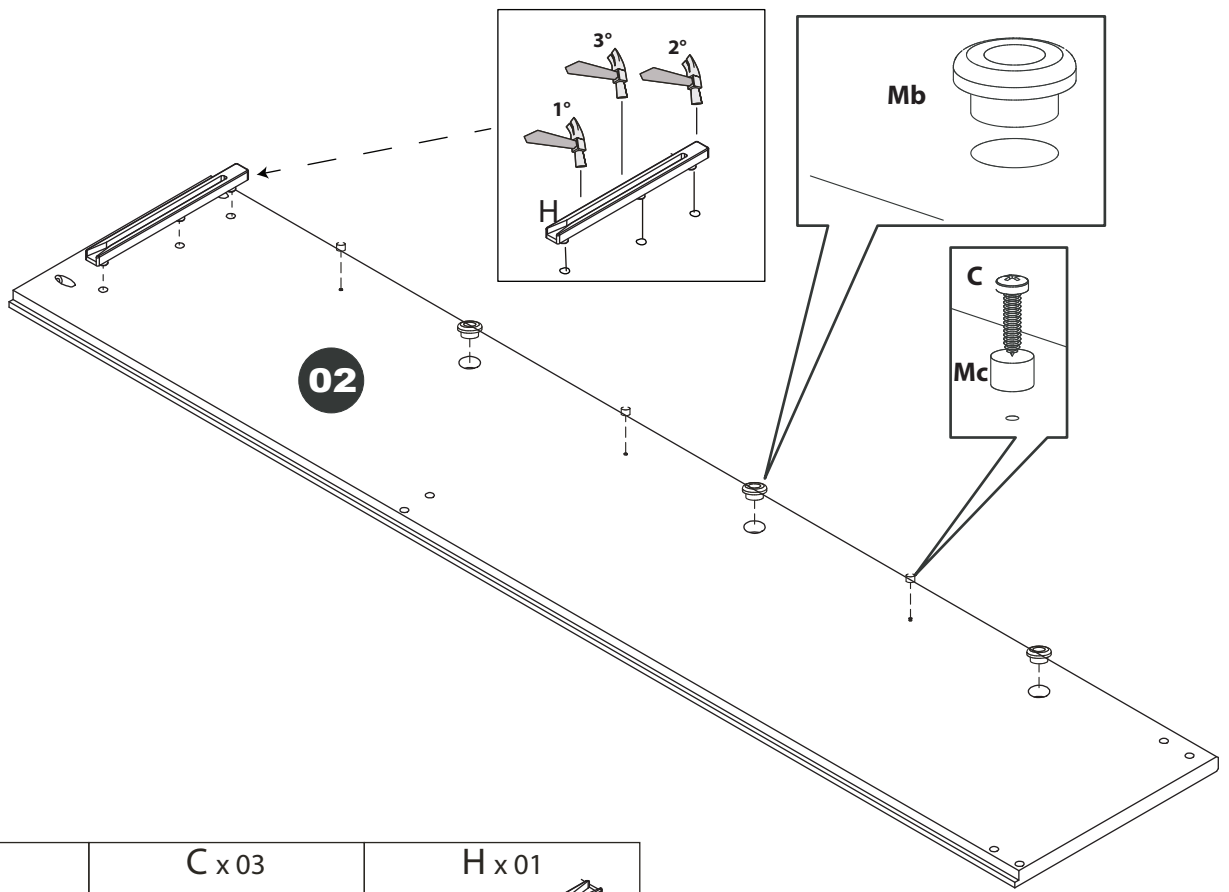
1


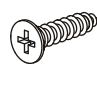
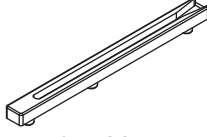


2

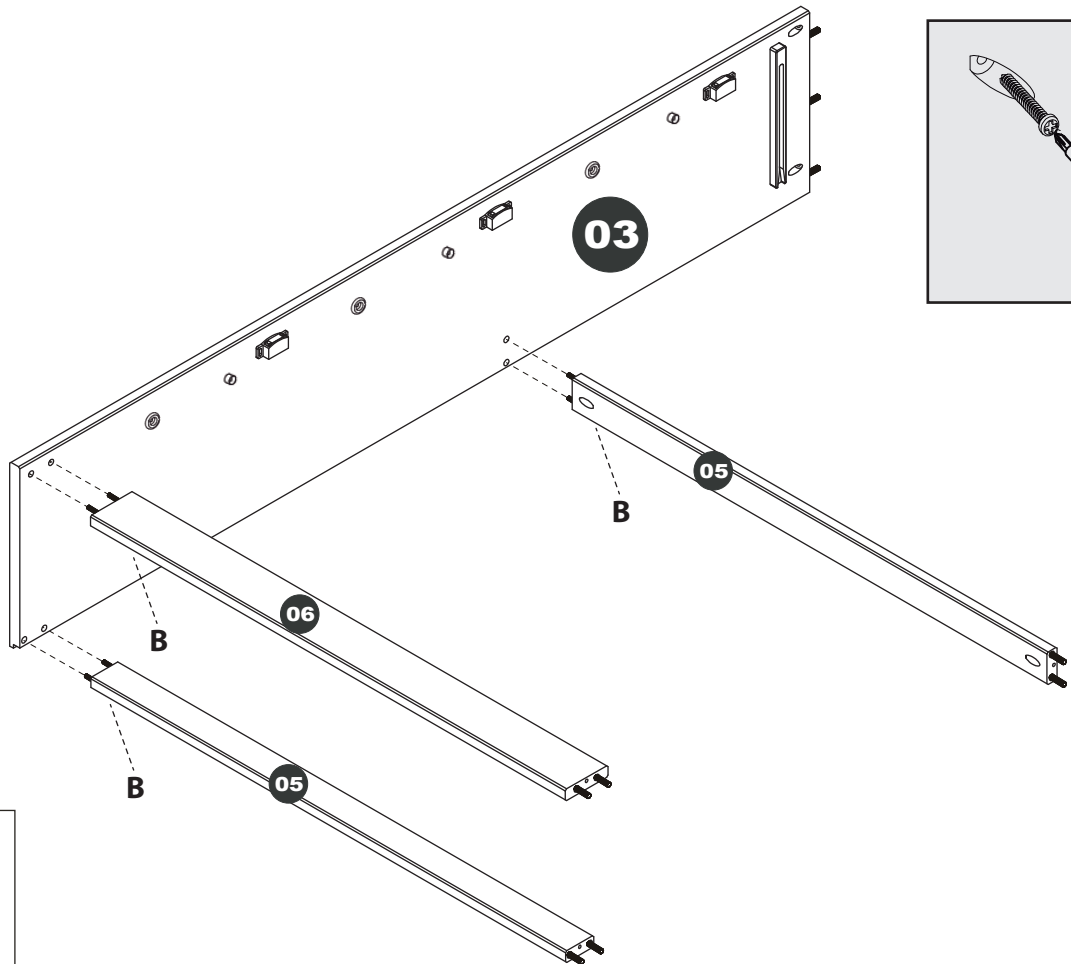


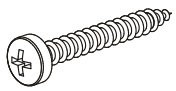
3



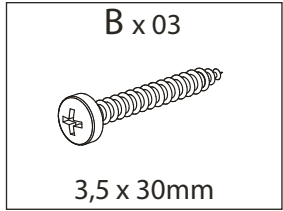
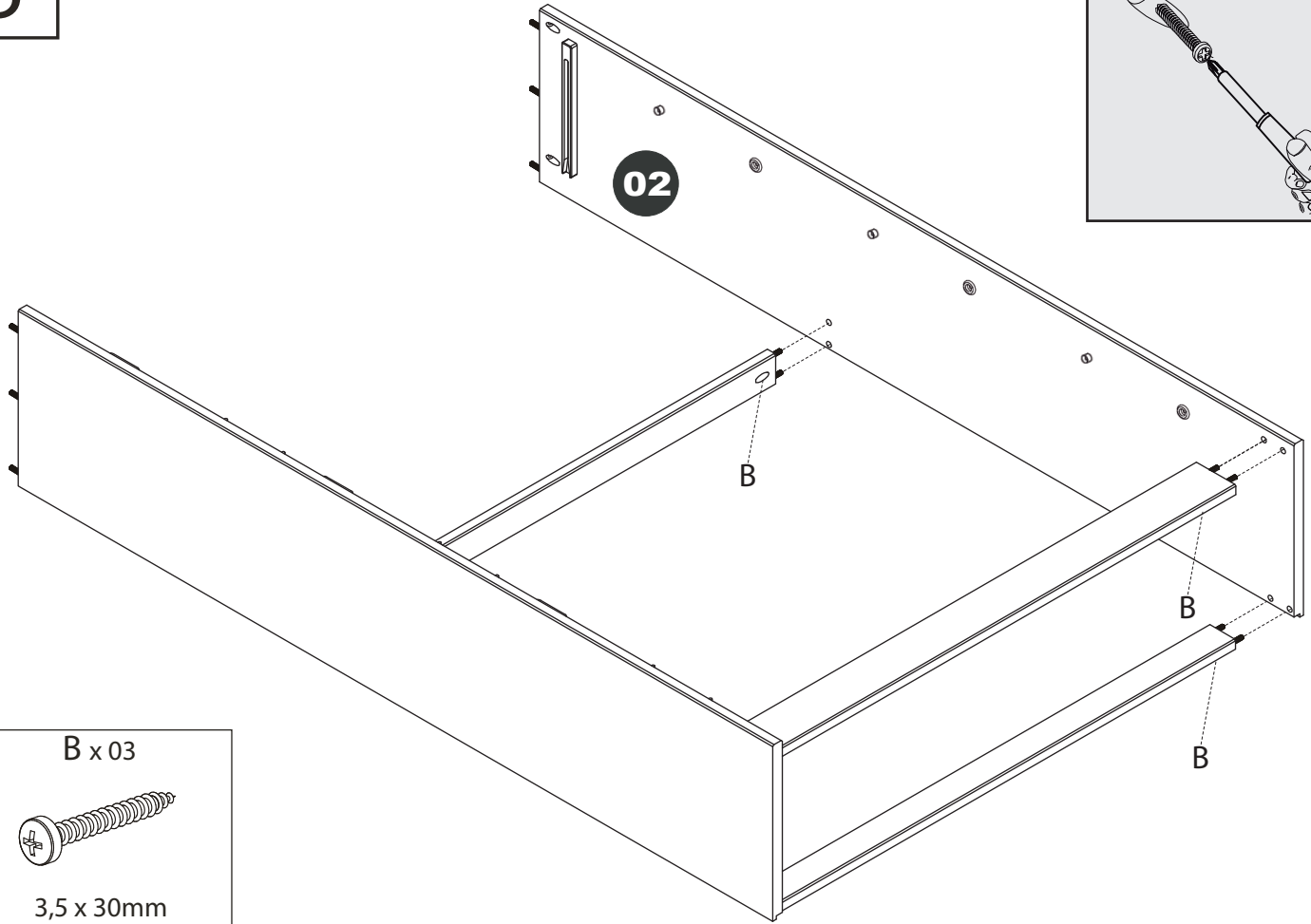
<p>M x 03</p> <p>Mb Mc</p> 	<p>C x 03</p>  <p>3,0 x 25mm</p>	<p>H x 01</p>  <p>16 x 190mm</p>
--	--	--

4

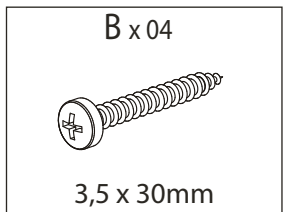
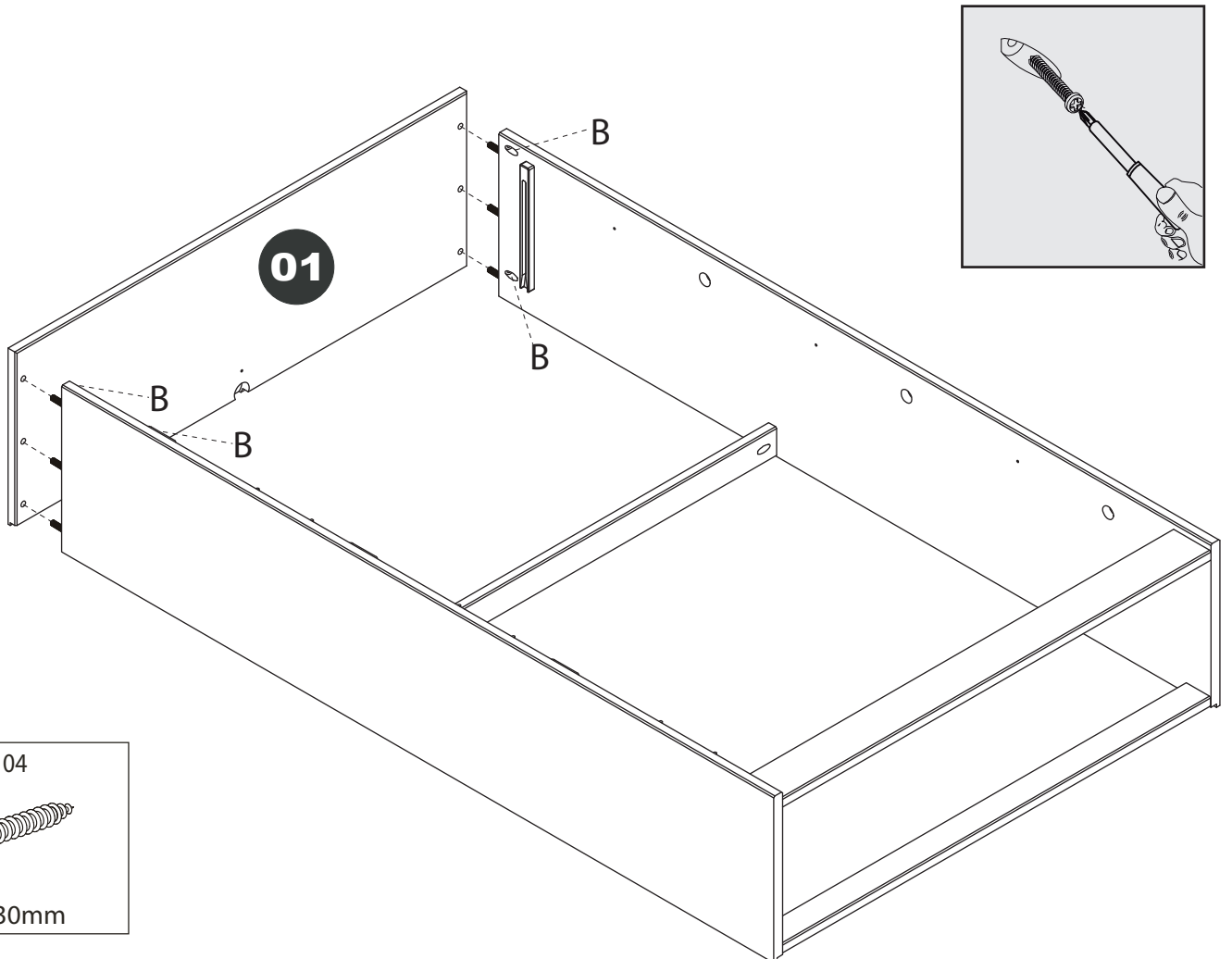


<p>B x 03</p>  <p>3,5 x 30mm</p>

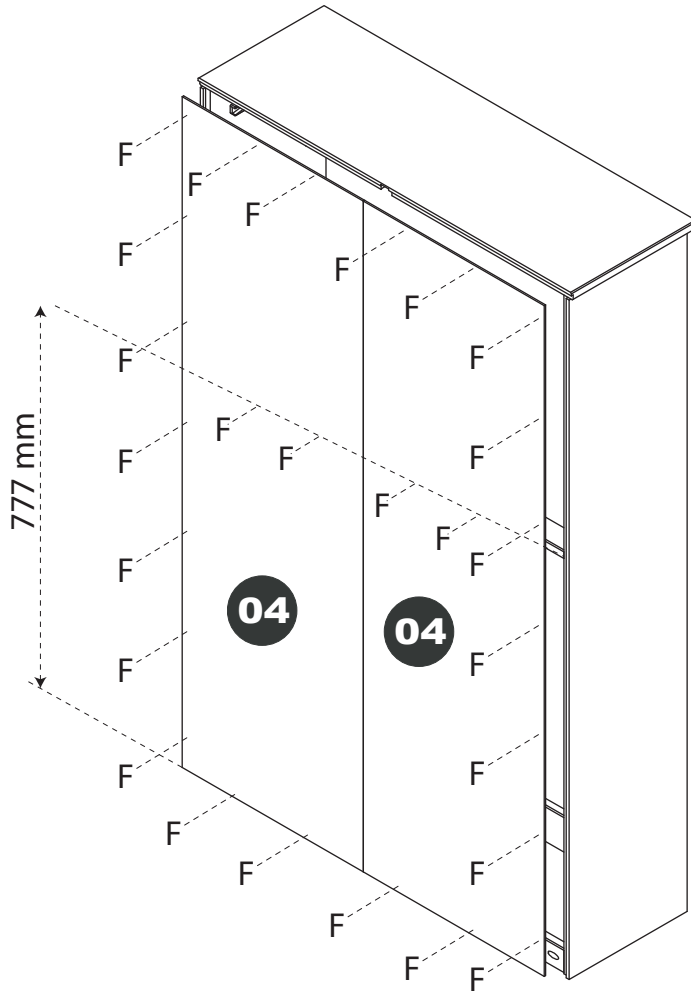
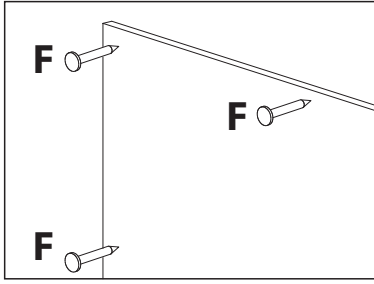
5



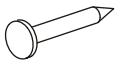
6



7

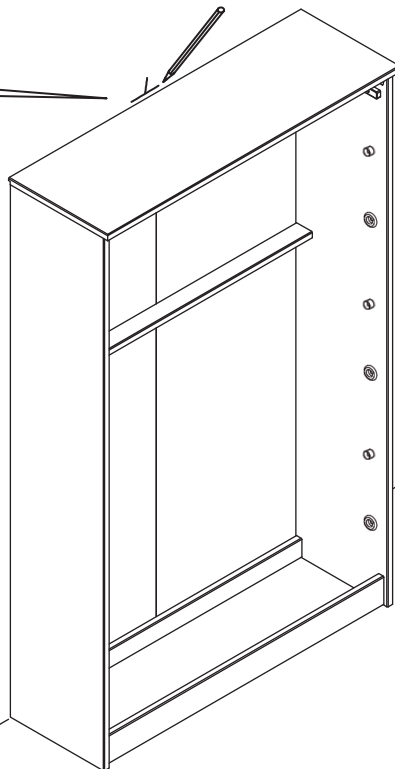
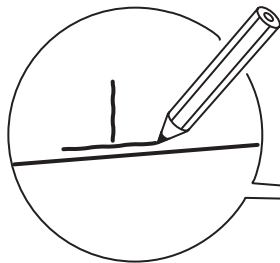


F x 26

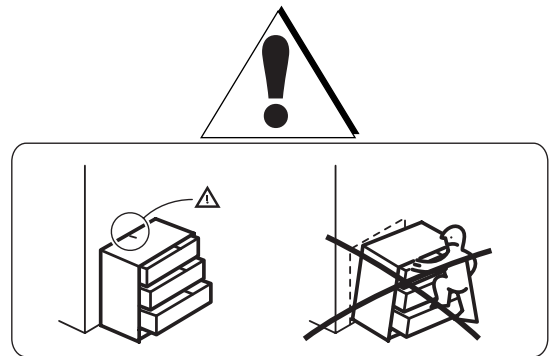
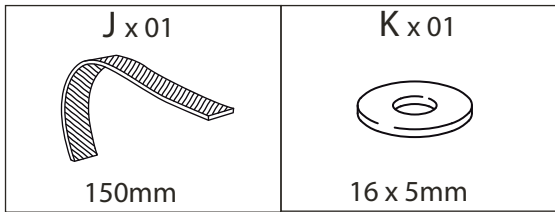
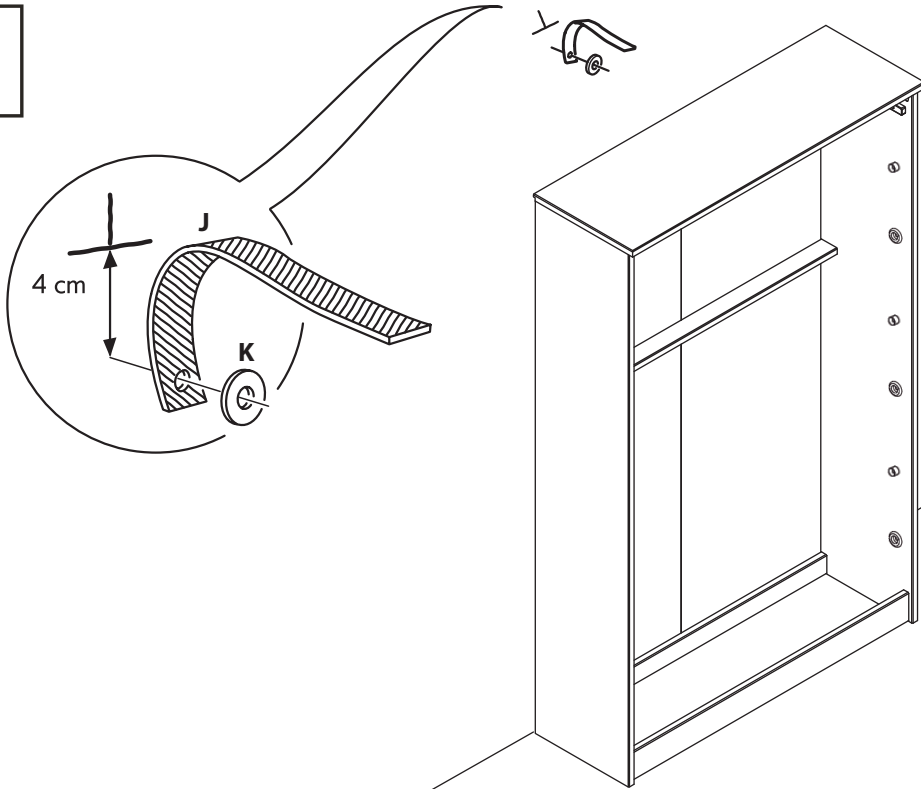


1,3 X18mm

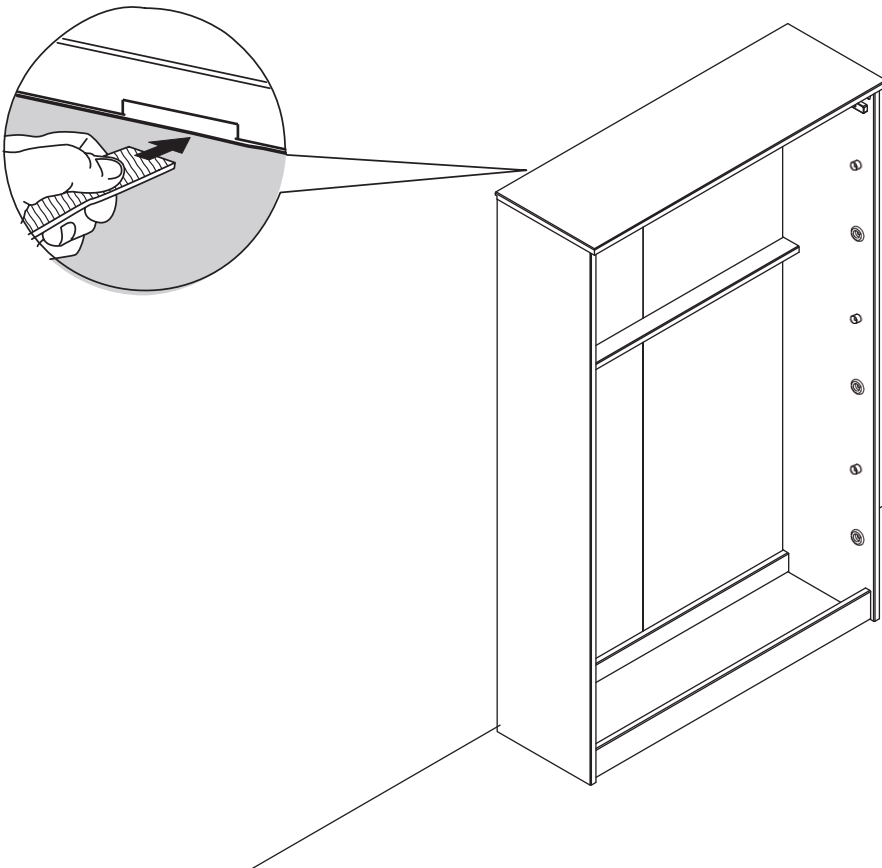
8



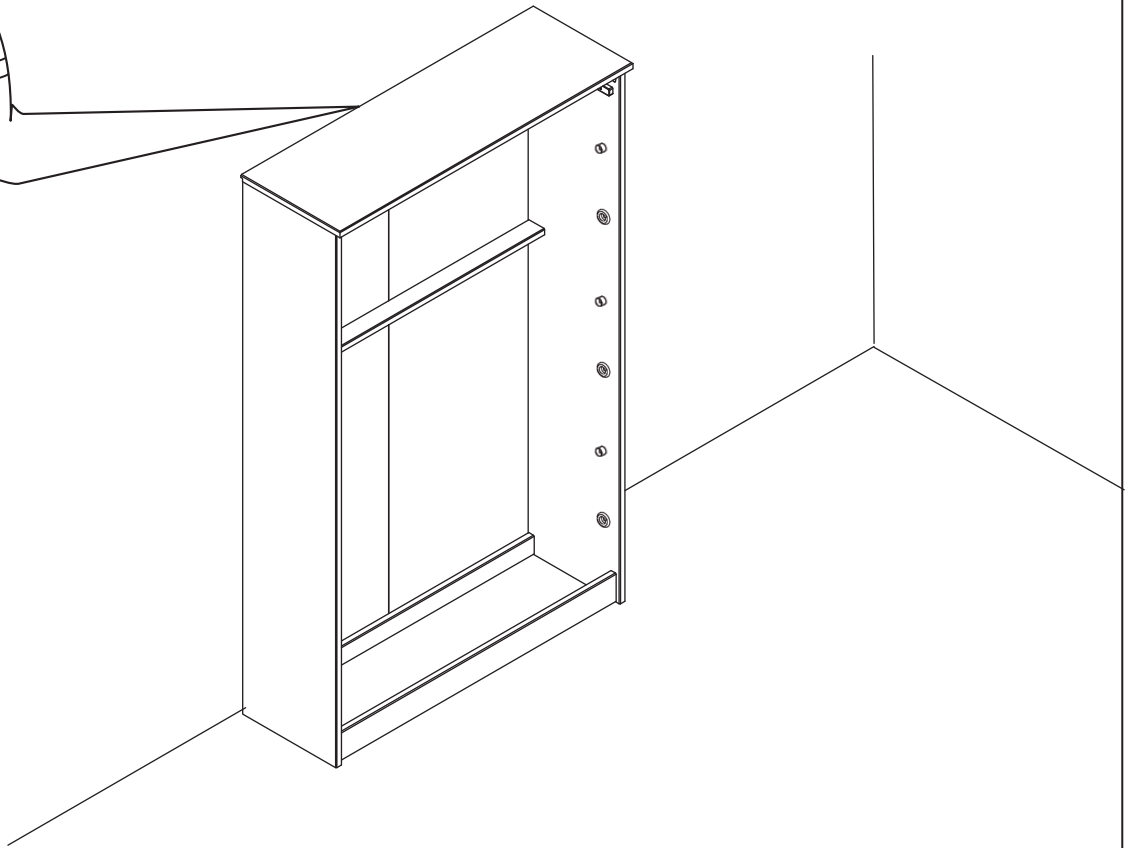
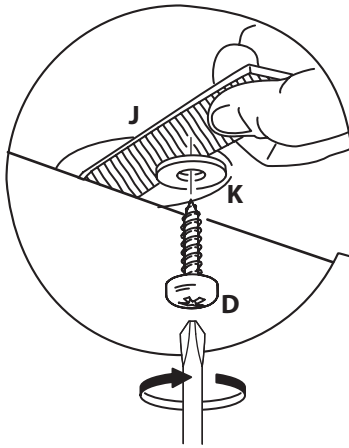
9




10



11




D x 01



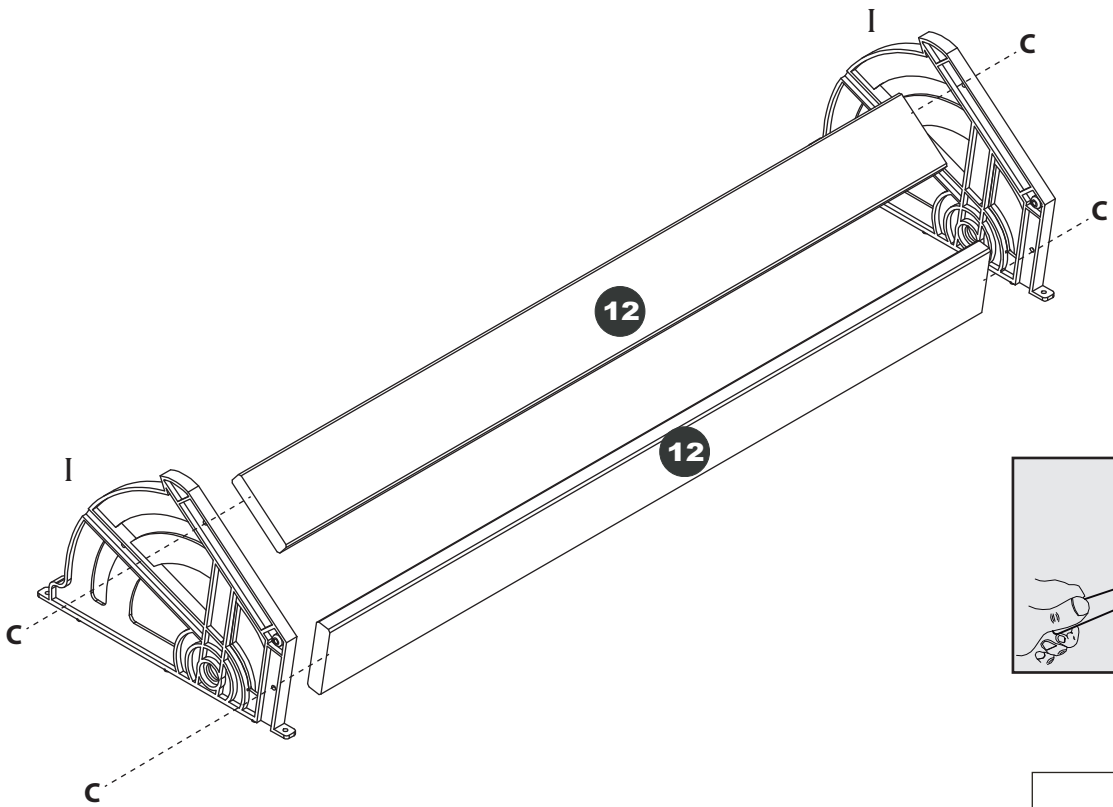
3,5 x 16mm

K x 01

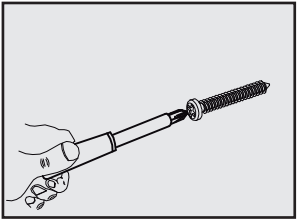


16 x 5mm


12



3X

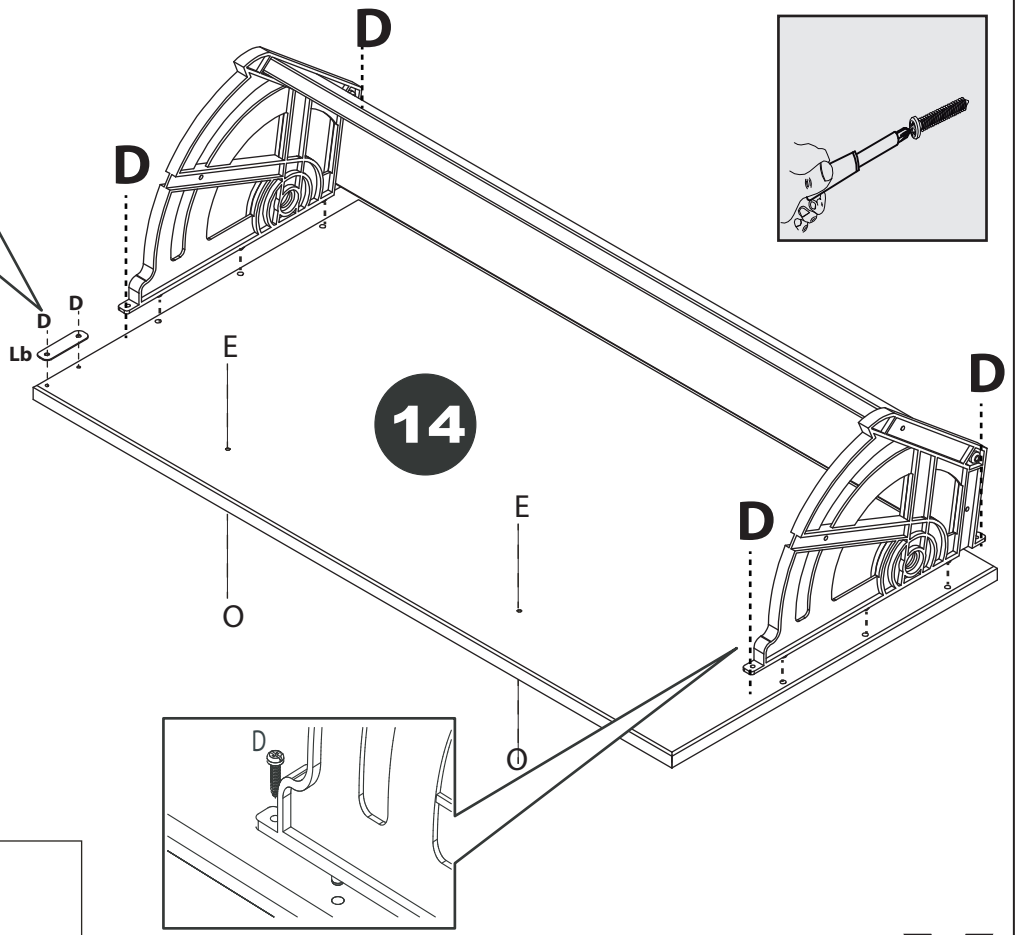
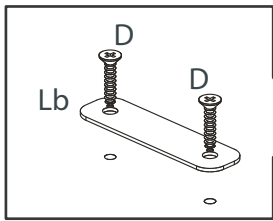


C x 12

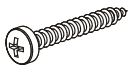


3,0 x 25mm

13



E x 06



4,0 x 40mm

O x 06



D x 18



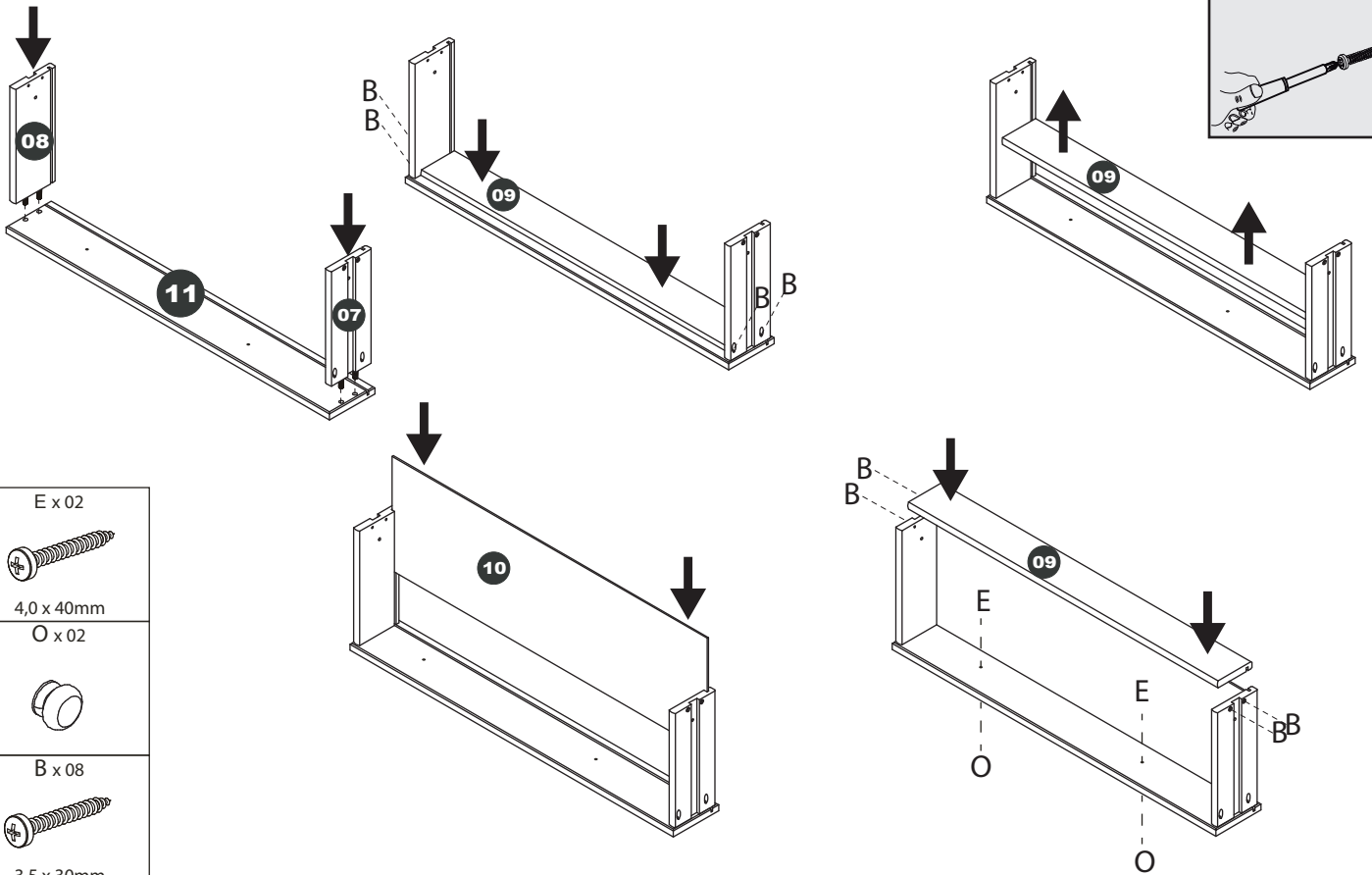
3,5 x 16mm

L x 03

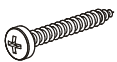


3X

14



E x 02



4,0 x 40mm

O x 02

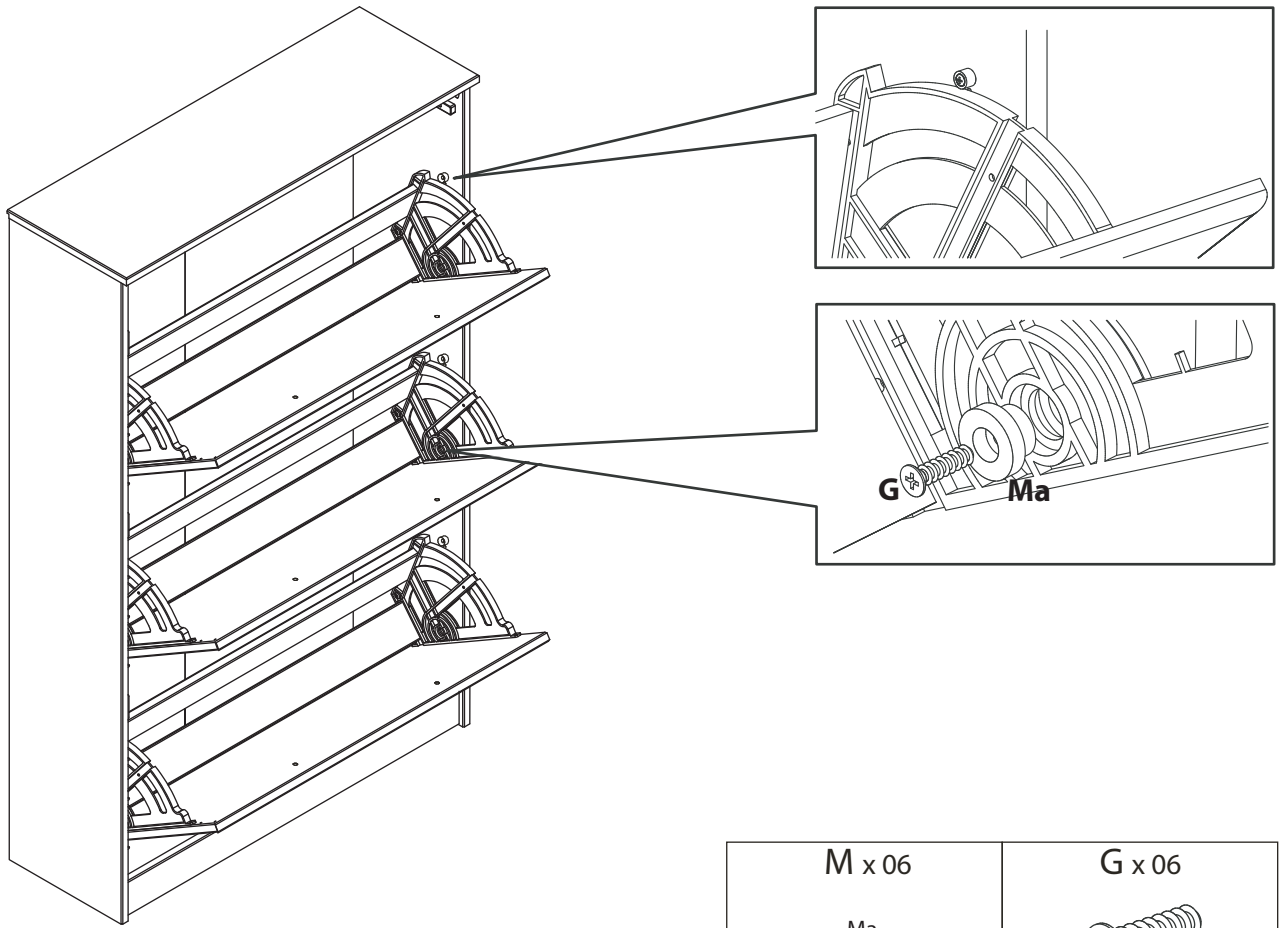



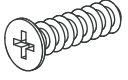
B x 08



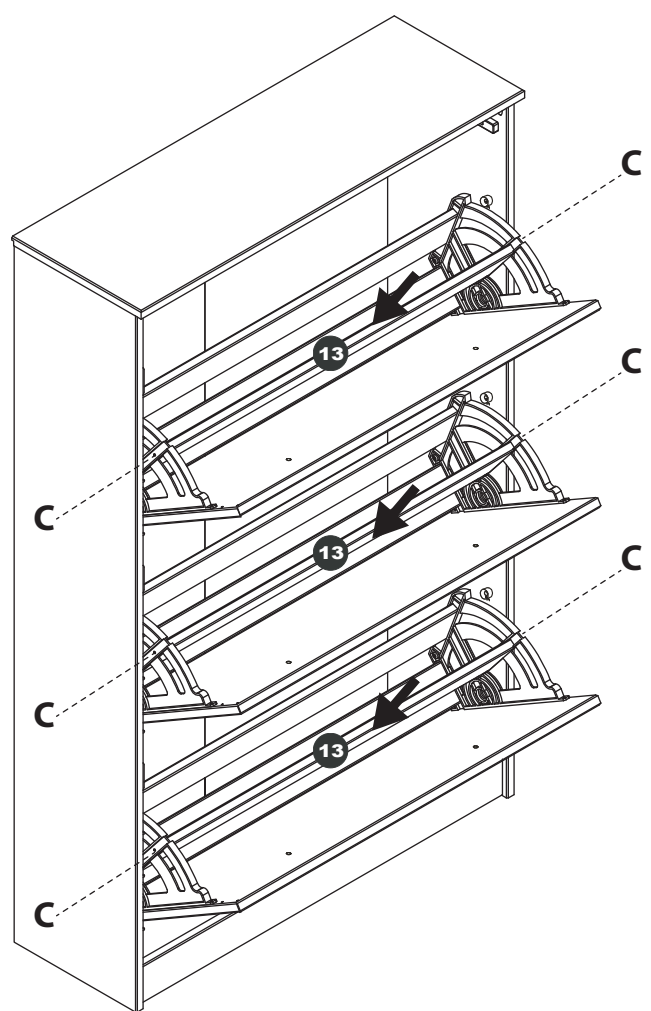
3,5 x 30mm

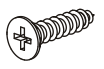
15



M x 06 Ma 	G x 06  6,0 x 20mm
--	--

16



C x 06  3,0 x 25mm

17

