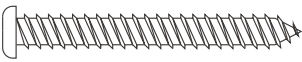
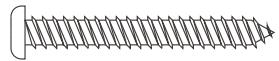
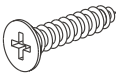
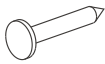
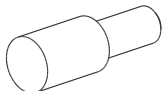
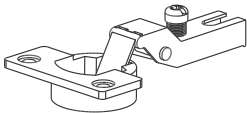
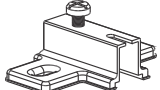
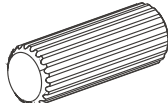


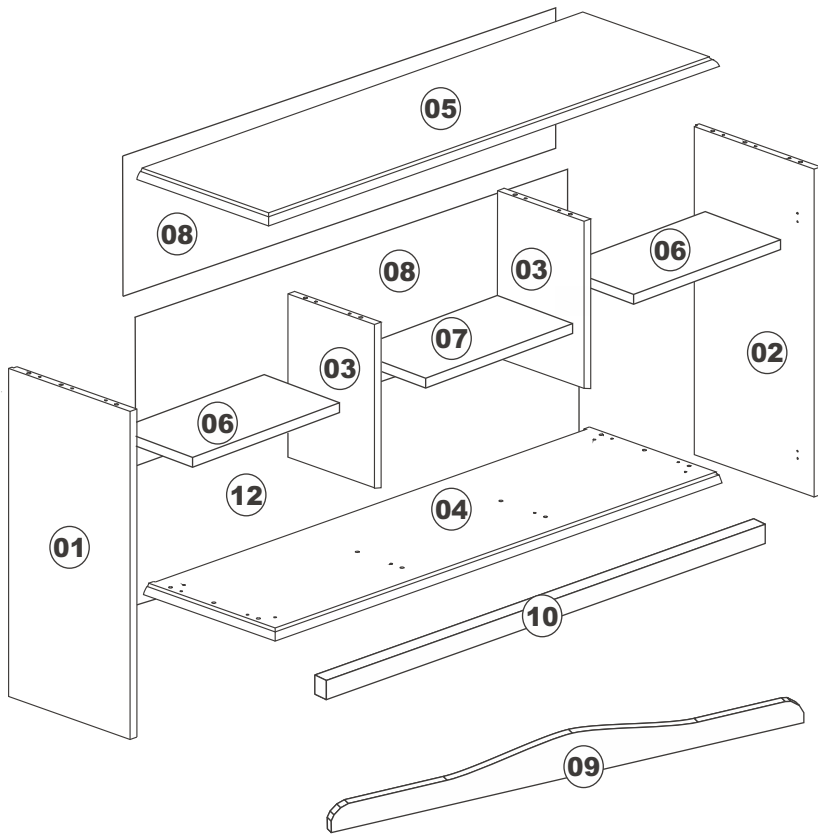


A	 4,5x40	12
B	 4,0x30	11
C	 3,0x16	20
D	 10x10	75
E		12

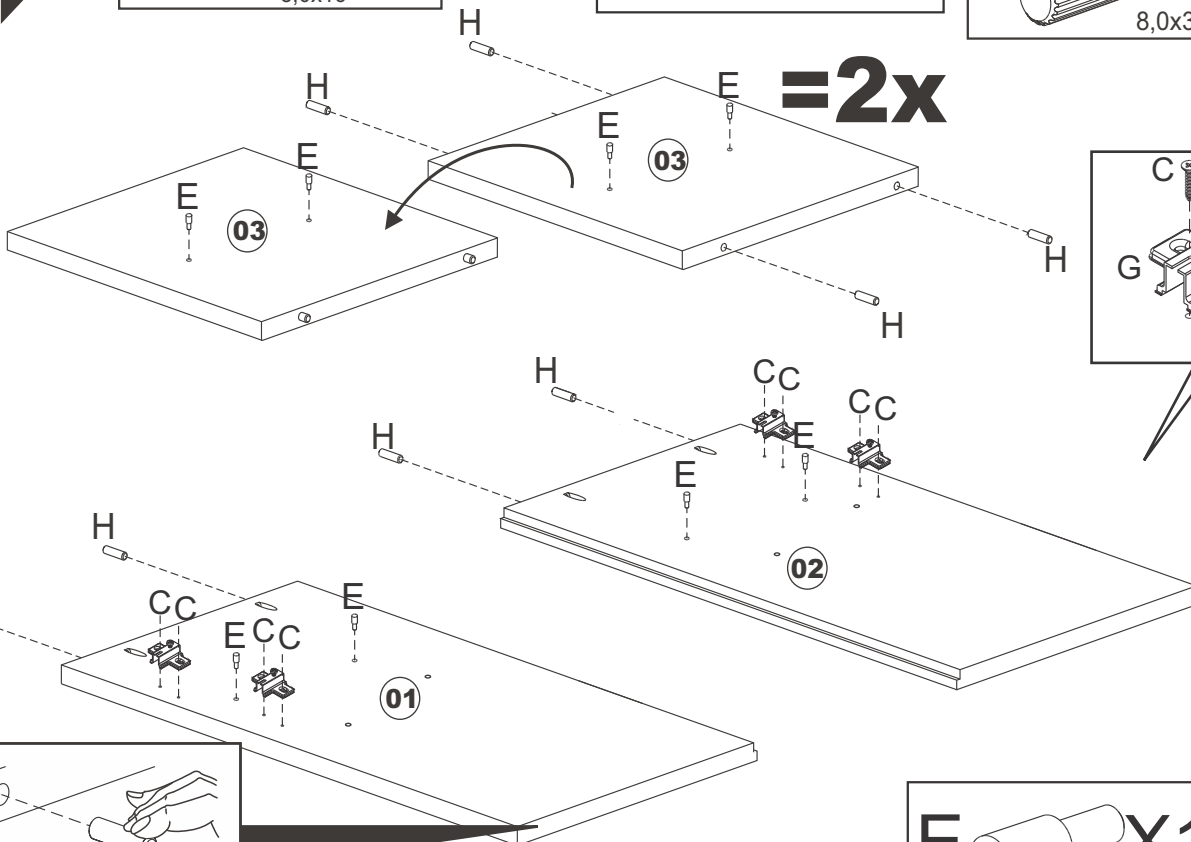
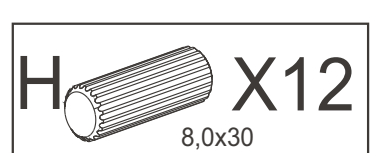
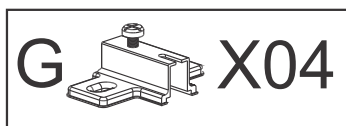
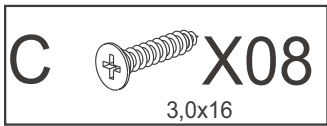
F		04
G		04
H	 8,0x30	23
I		02
J		02



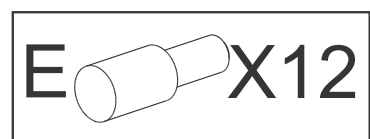
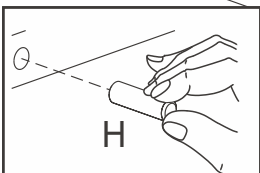
=2x



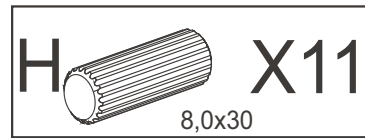
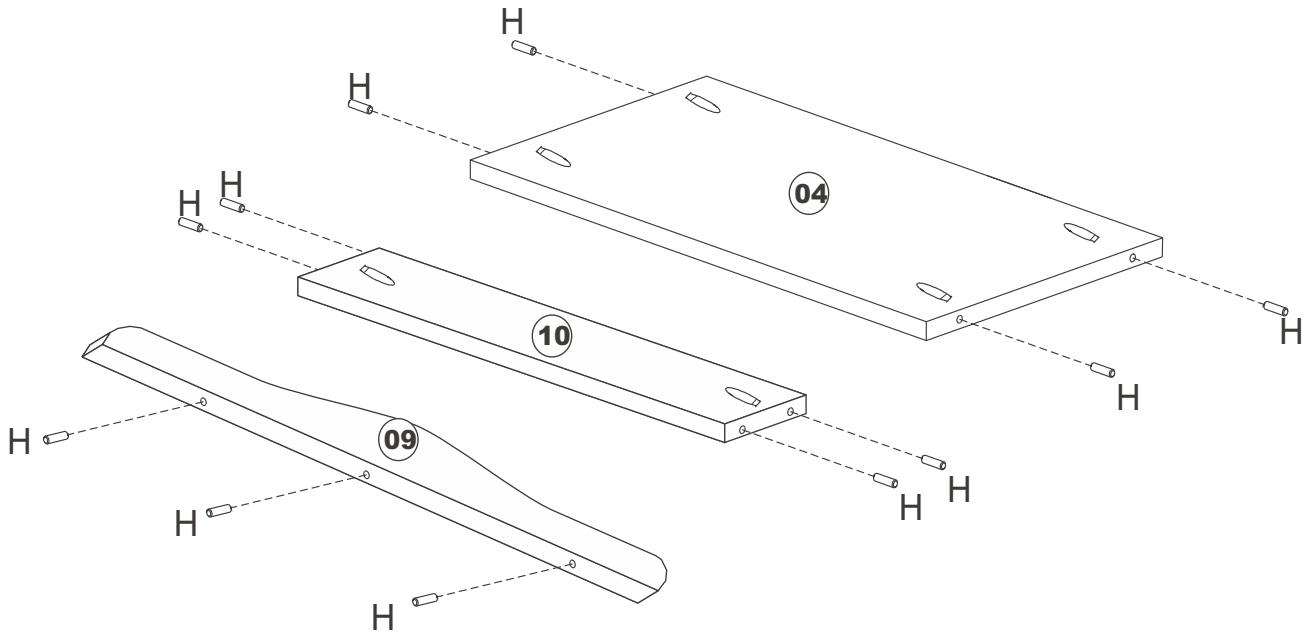
01



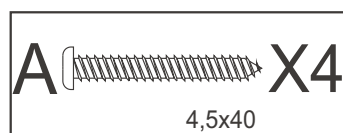
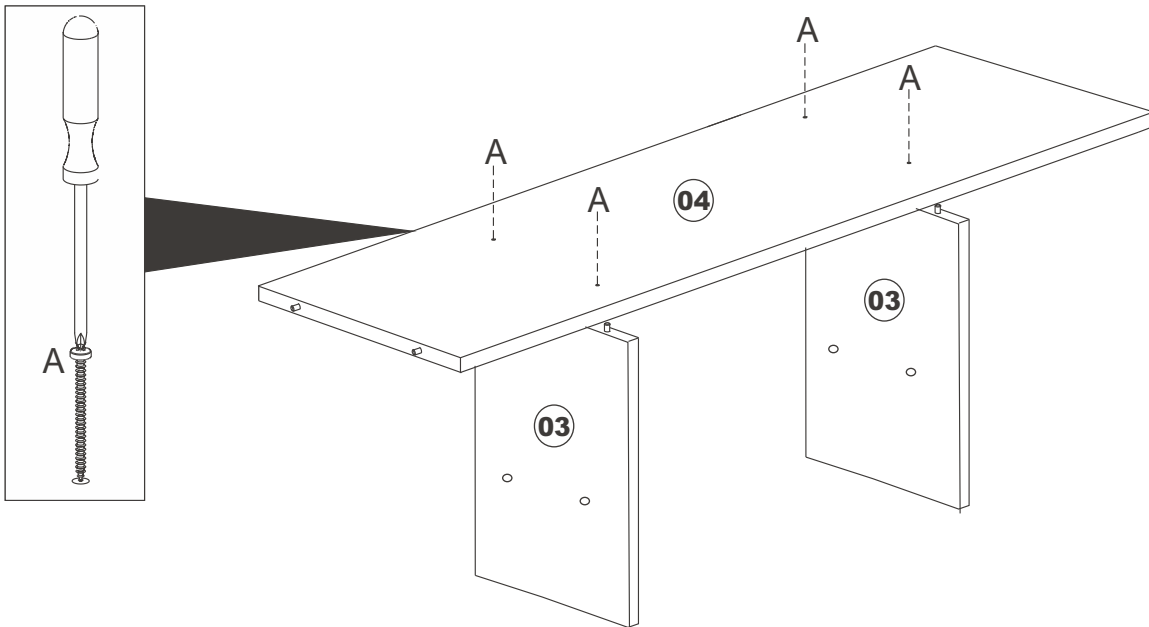
=2x



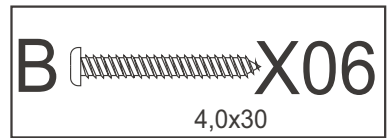
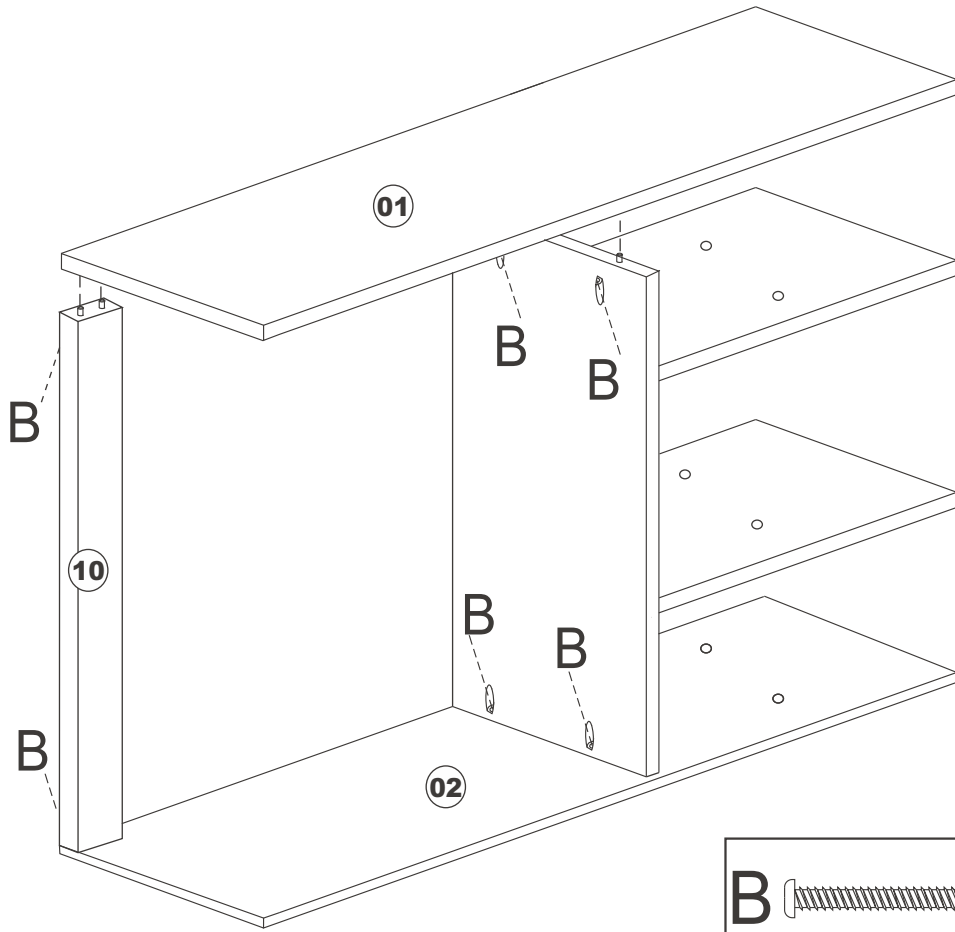
02



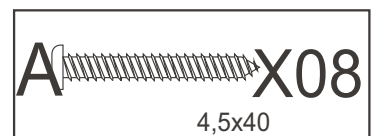
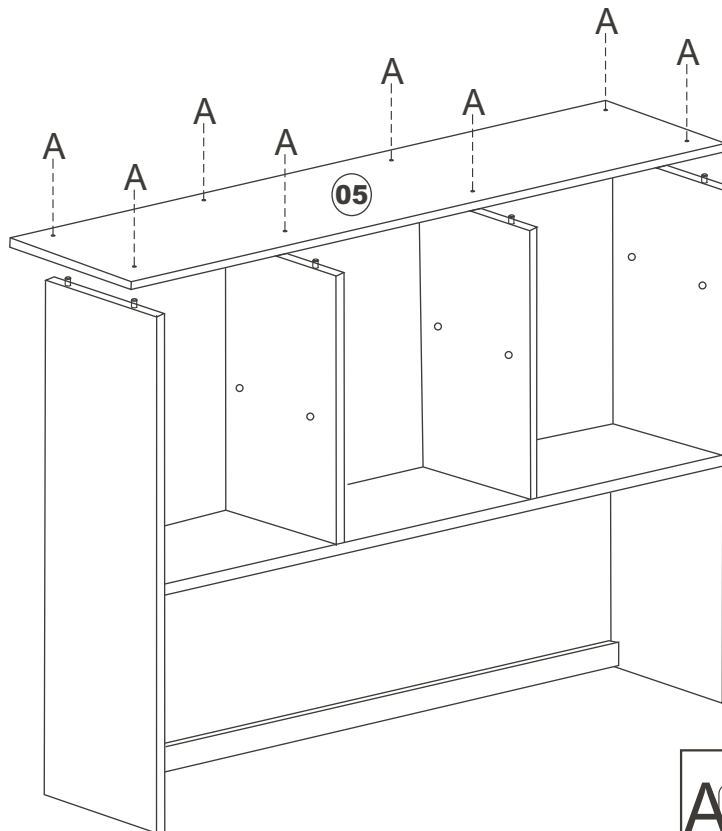
03



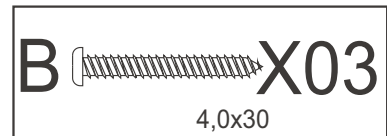
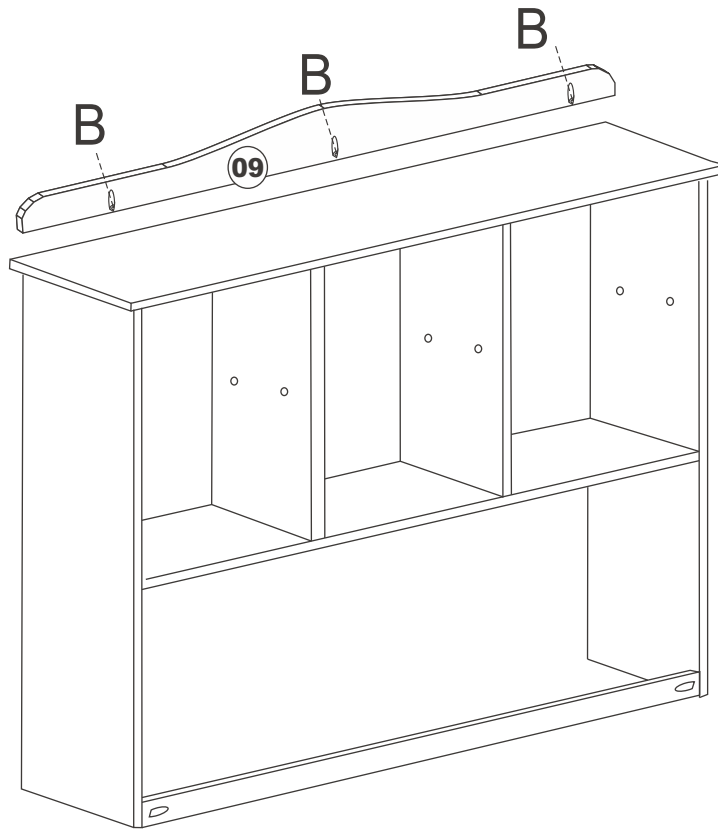
04



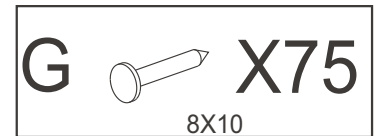
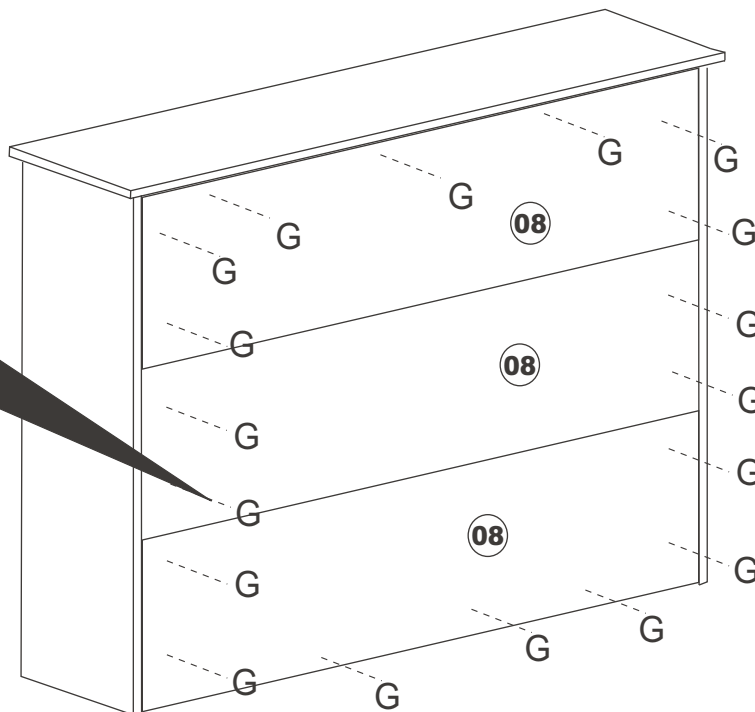
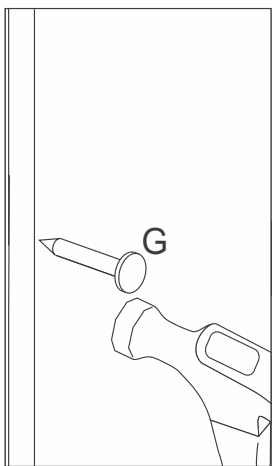
05



06

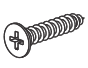



07

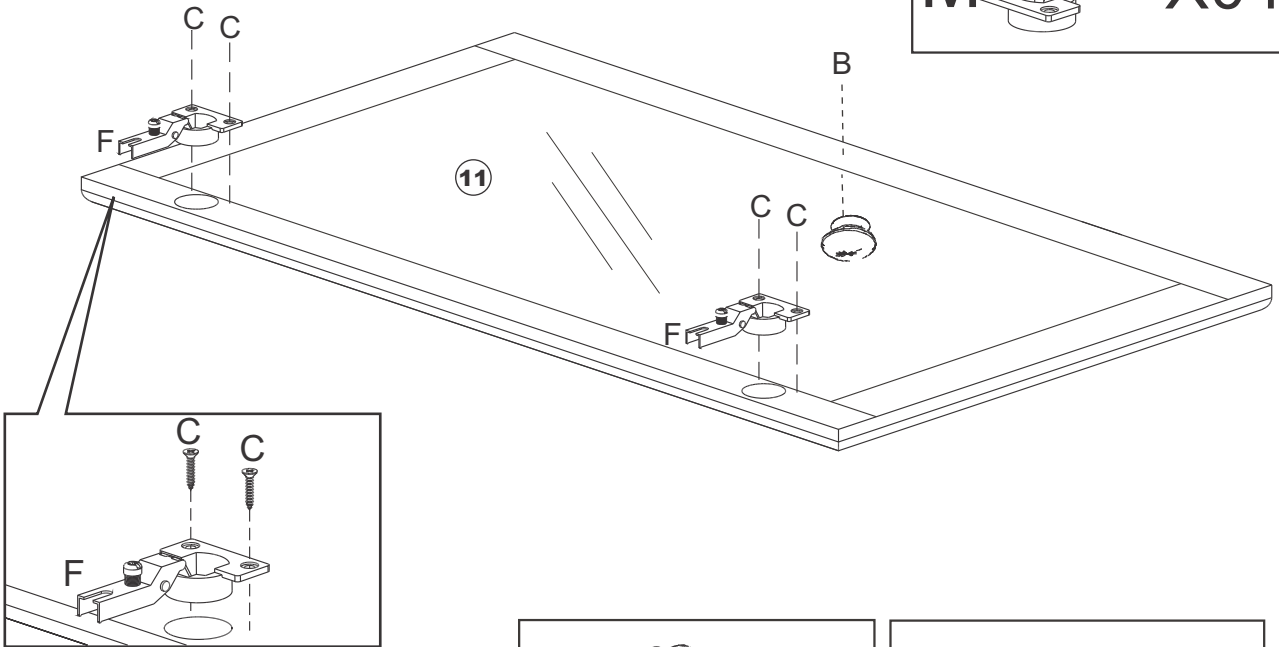



06

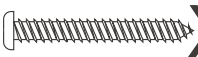
=2x

C  **X08**
3,0x16

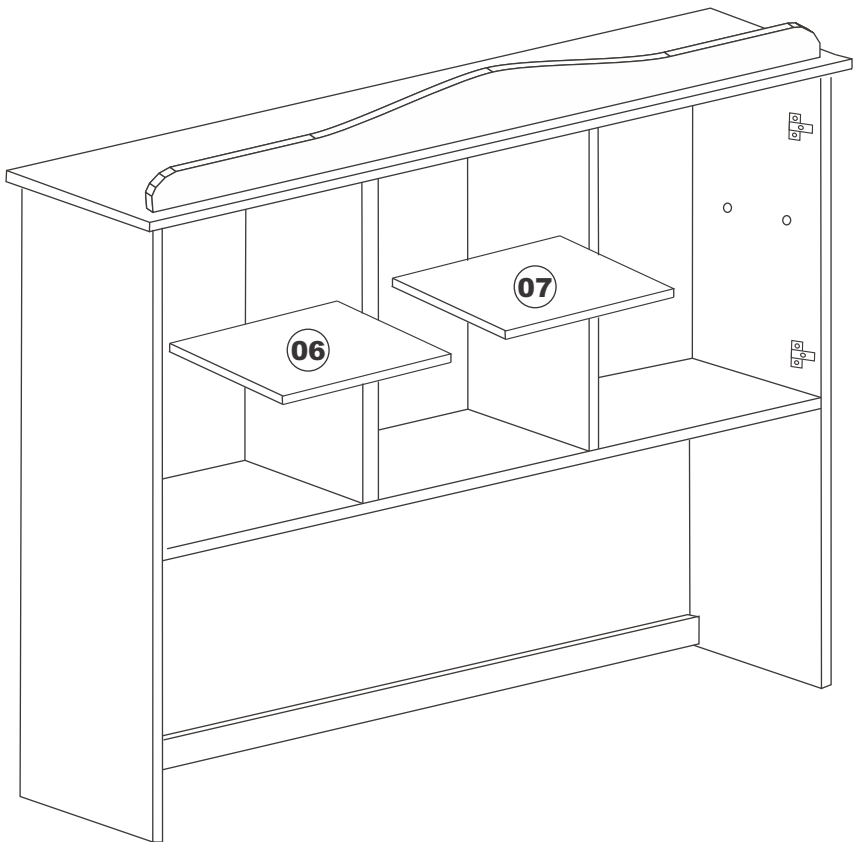
M  **X04**



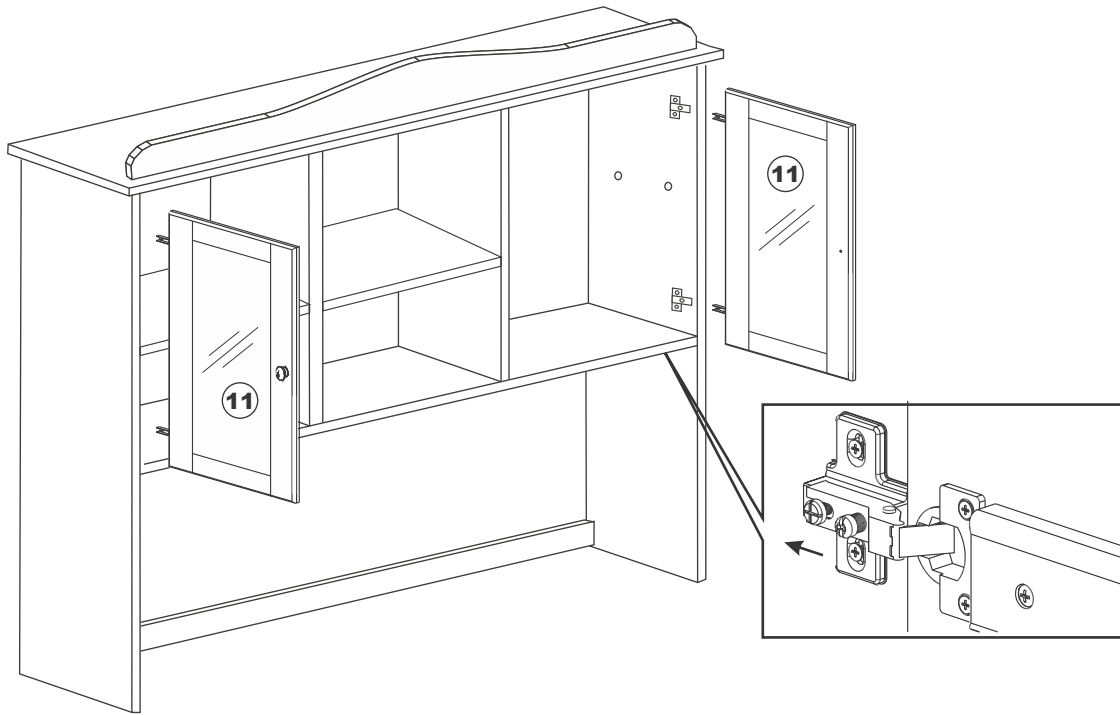
I  **X2**

B  **X02**
4,0x30

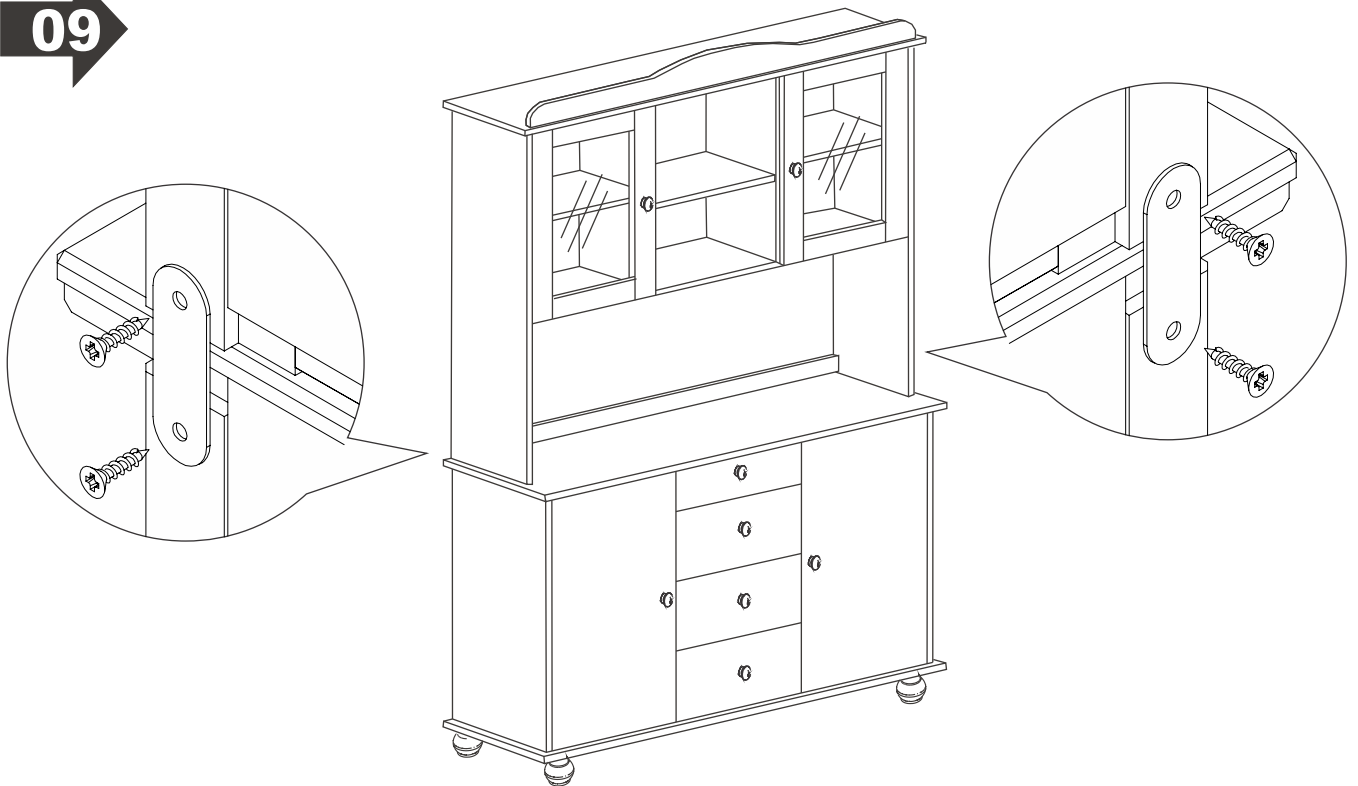
07





08



09



C  3,0x16 X04J  X02