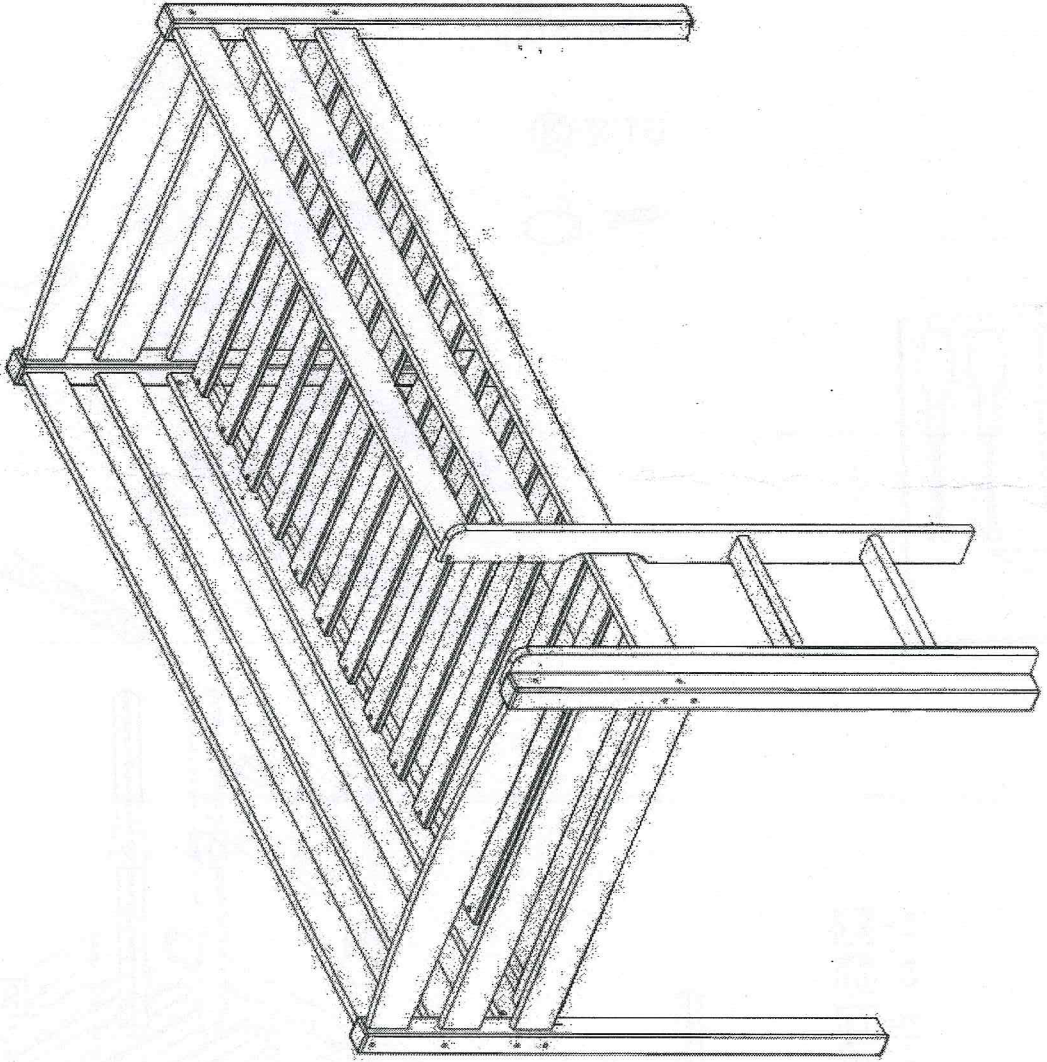
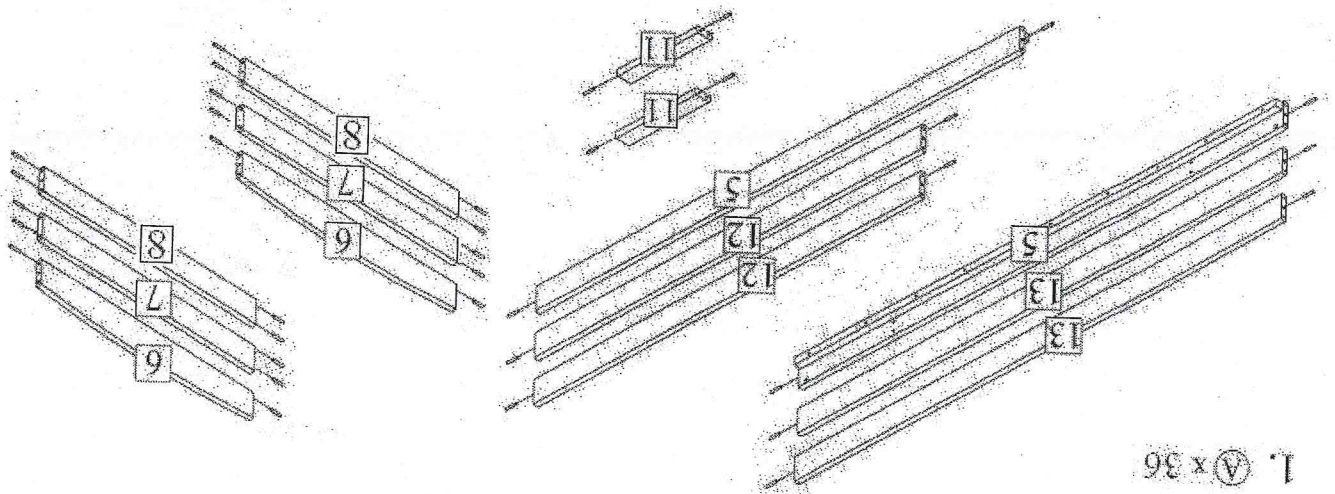


200\*90cm



#32



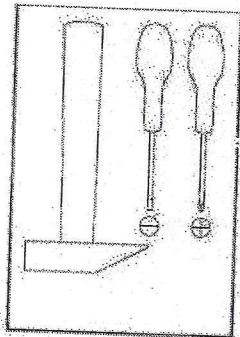
1. A x 36

S X 4

10mm

R X 10

8mm



G = 30  
ø 4.0 x 30mm

M = 1

C = 24

B = 22  
M6 x 90mm

A = 36  
ø 8 x 30mm

J = 2

M6 x 50mm

I = 2

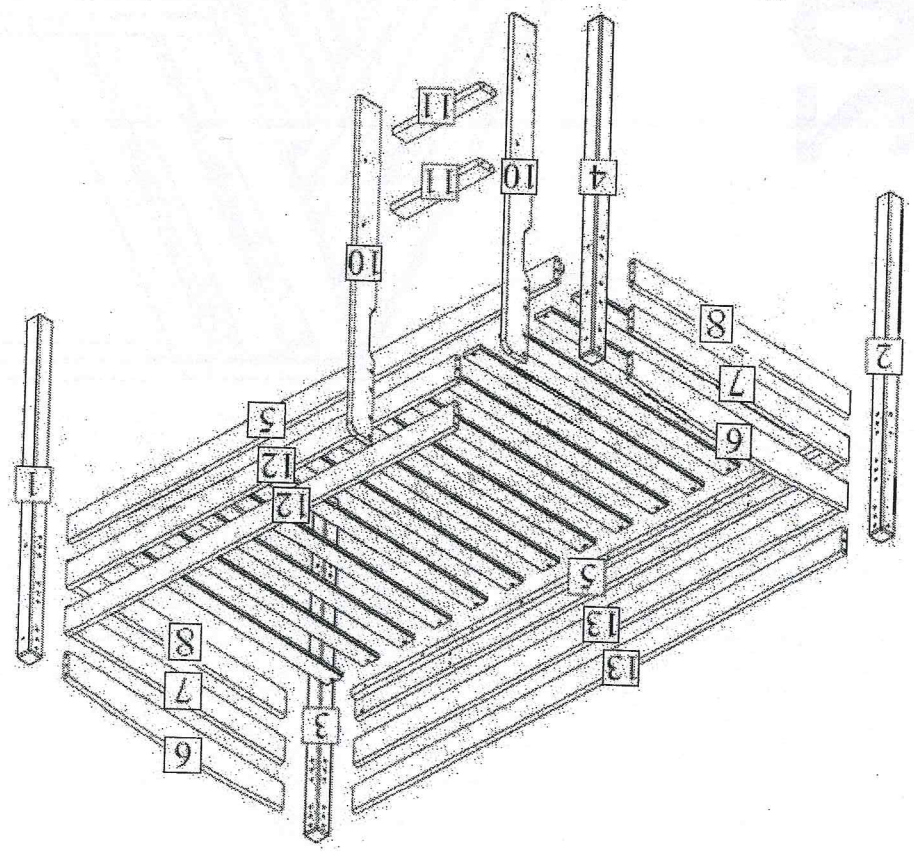
ø 6 x 70mm

H = 7

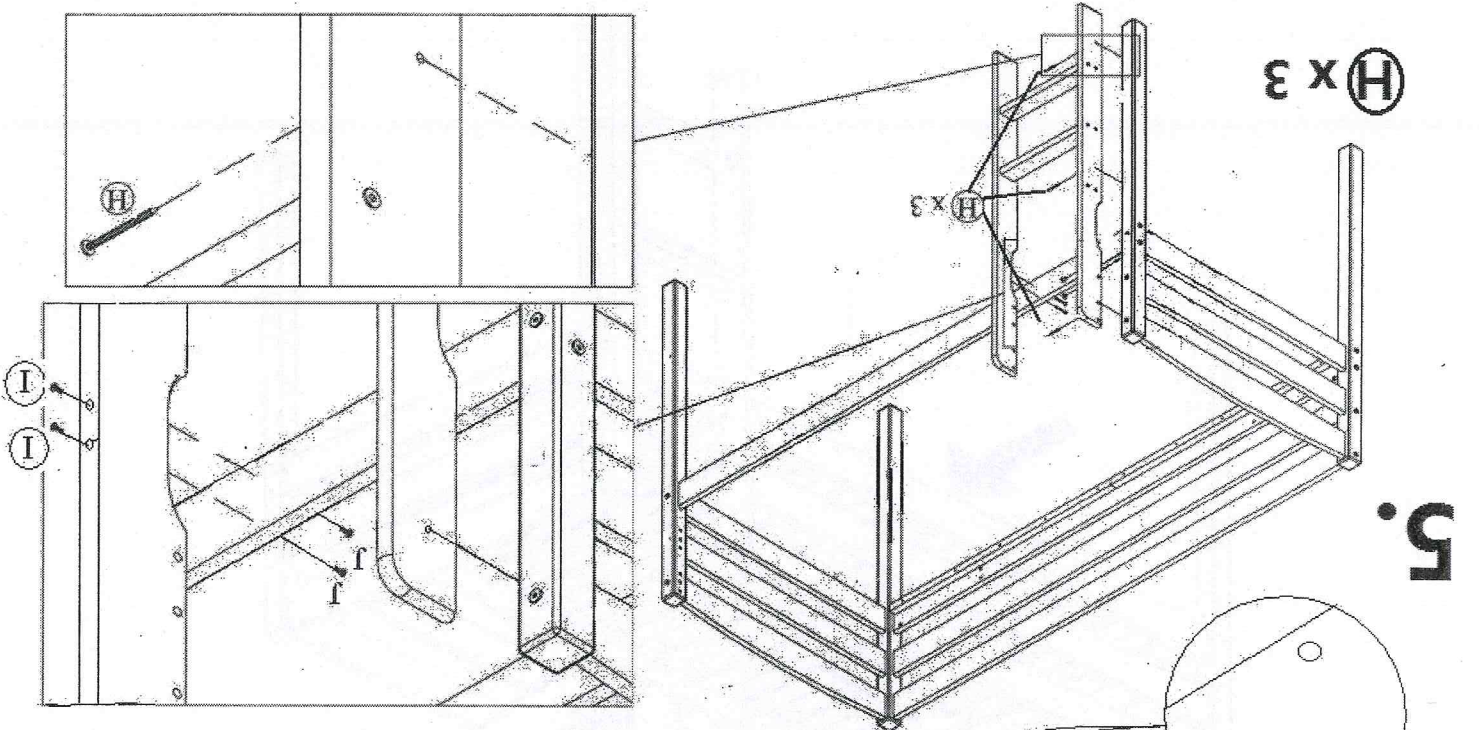
M6 x 70mm

K = 2

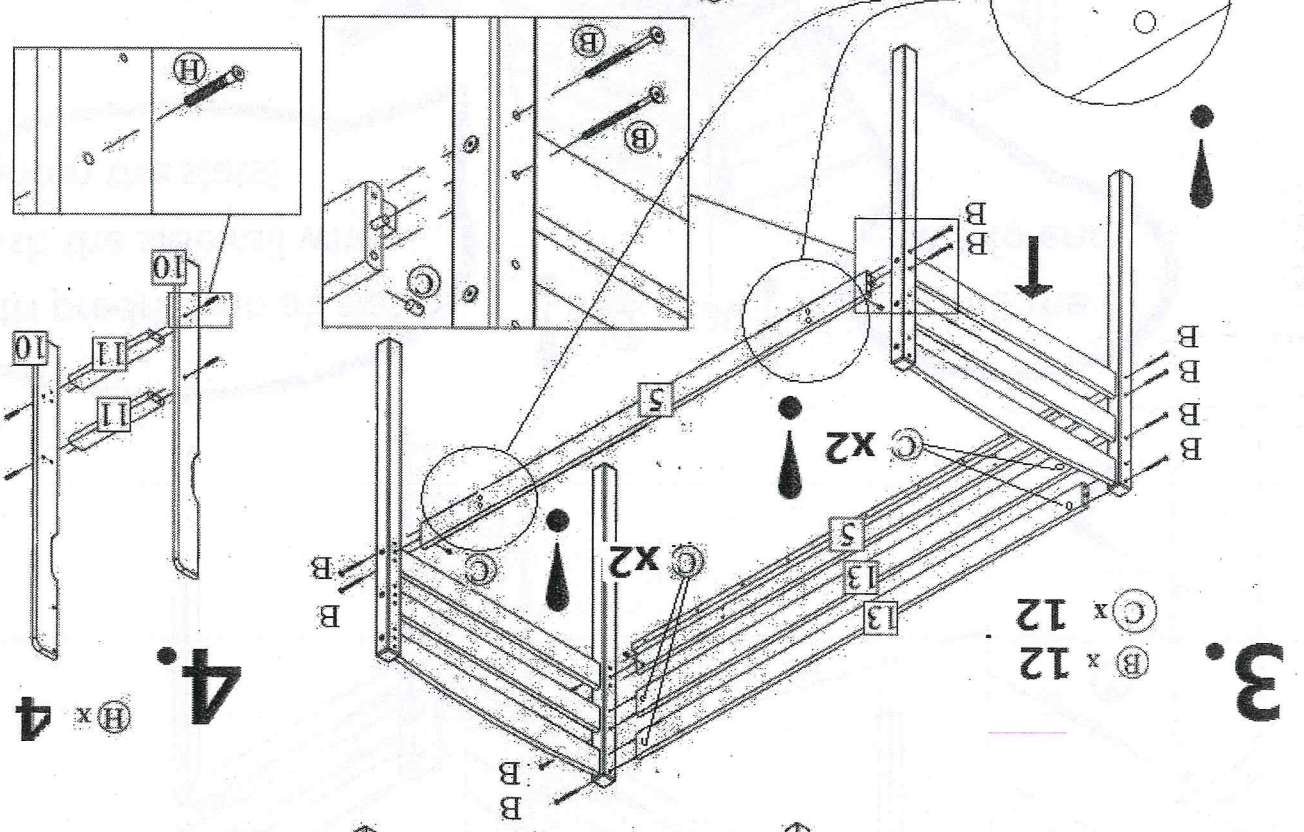
- 13 = 2
- 12 = 2
- 11 = 2
- 10 = 2
- 8 = 2
- 7 = 2
- 6 = 2
- 5 = 2
- 4 = 1
- 3 = 1
- 2 = 1
- 1 = 1



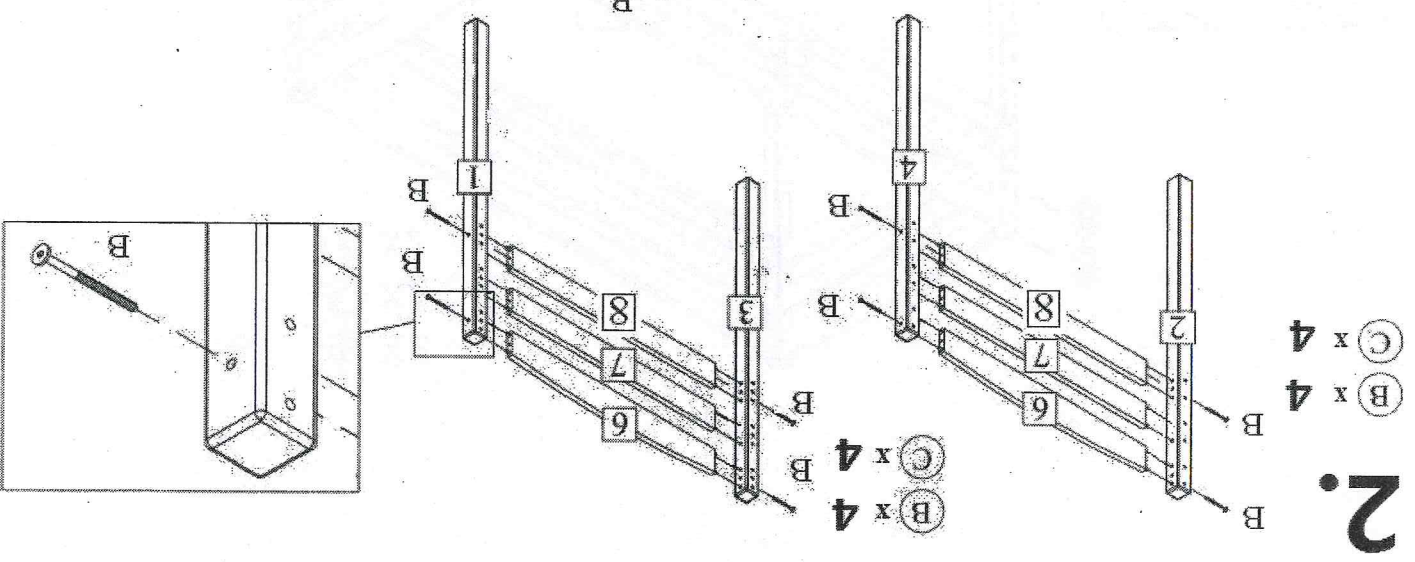




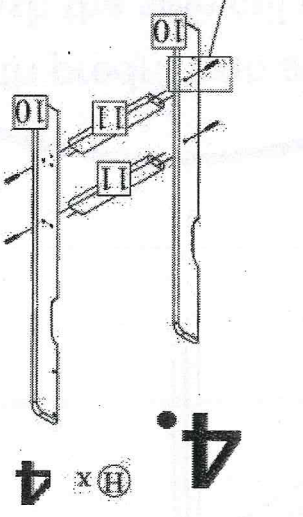
5.



3.



2.



4.



