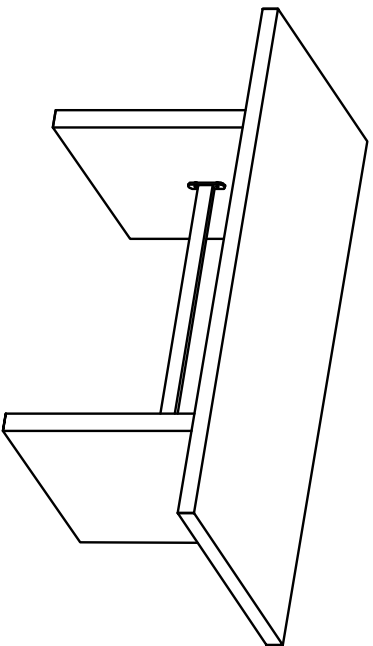
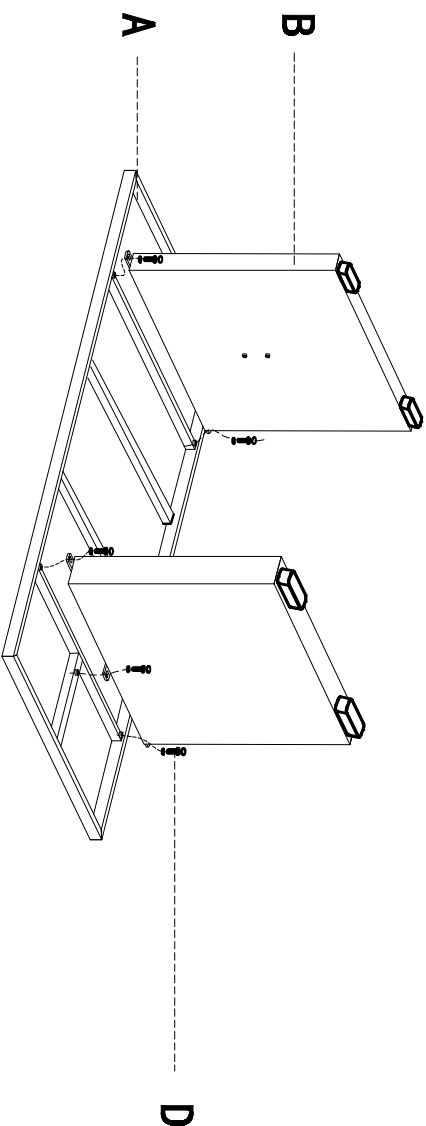


NO.	PICTURE	QTY
A		1
B		2
C		1
D		12
E		1

STEP-3



STEP-1



STEP-2

