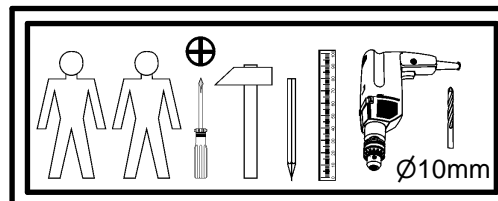
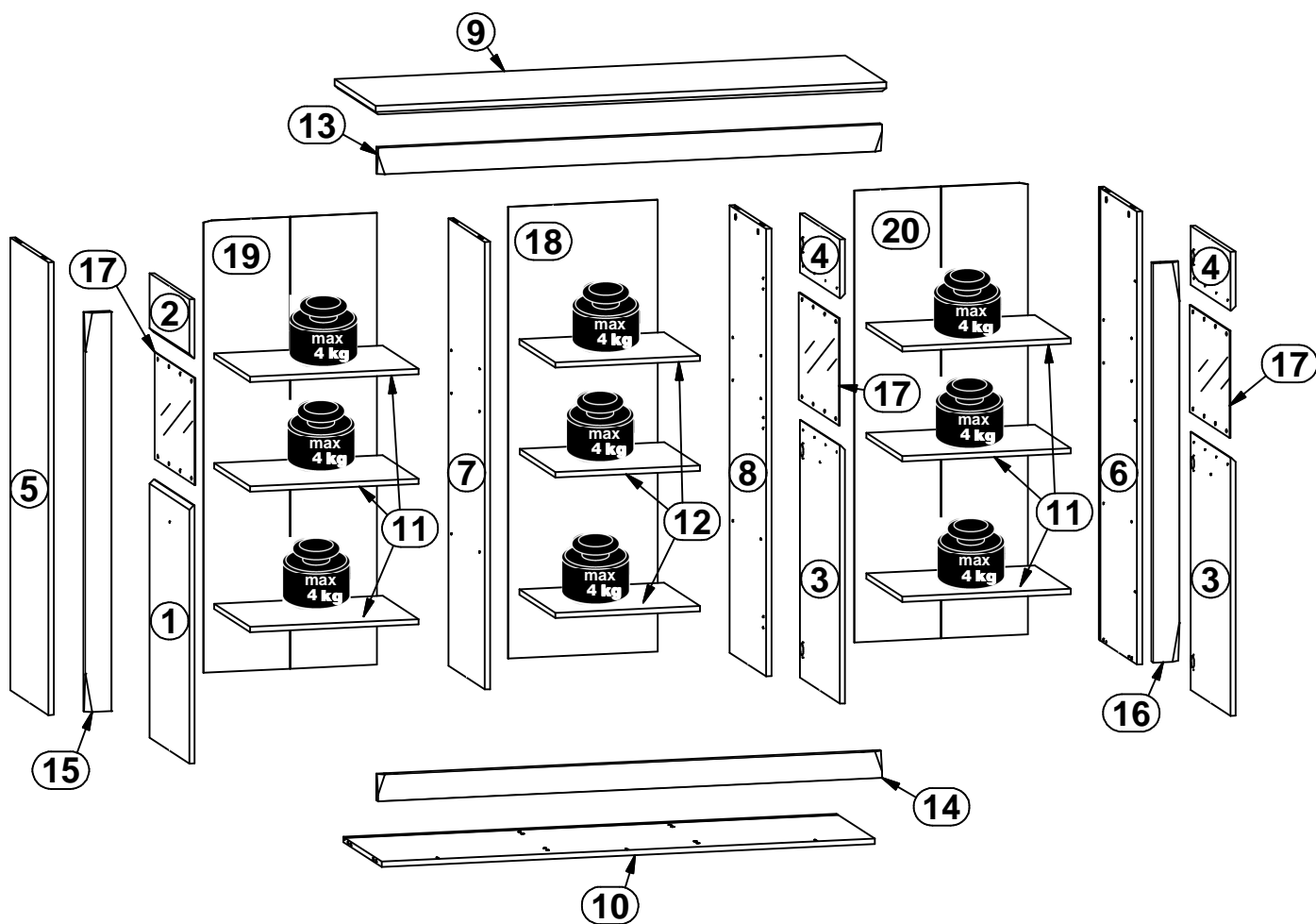
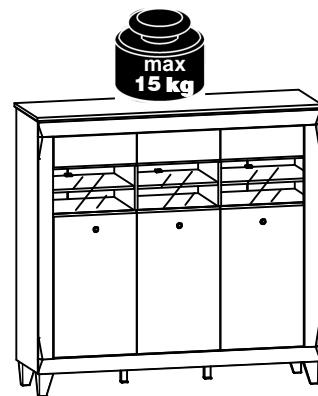


A

BERGEN

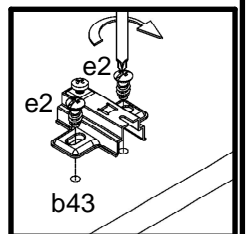
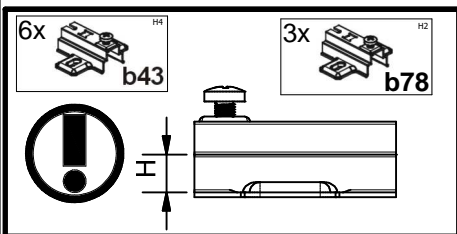
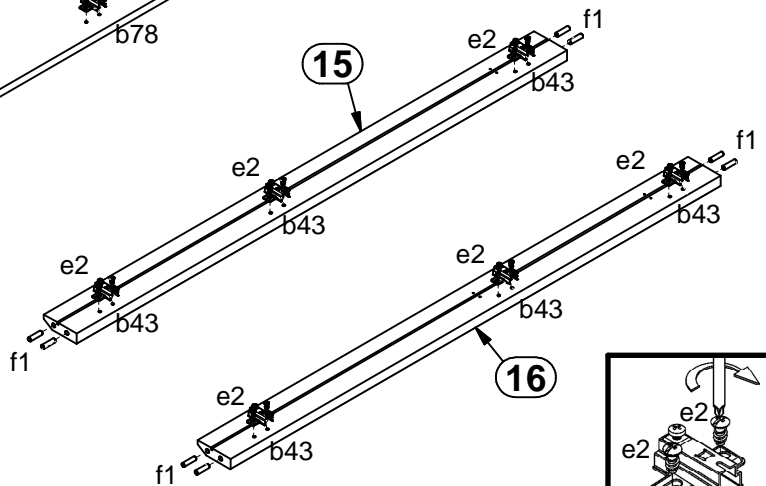
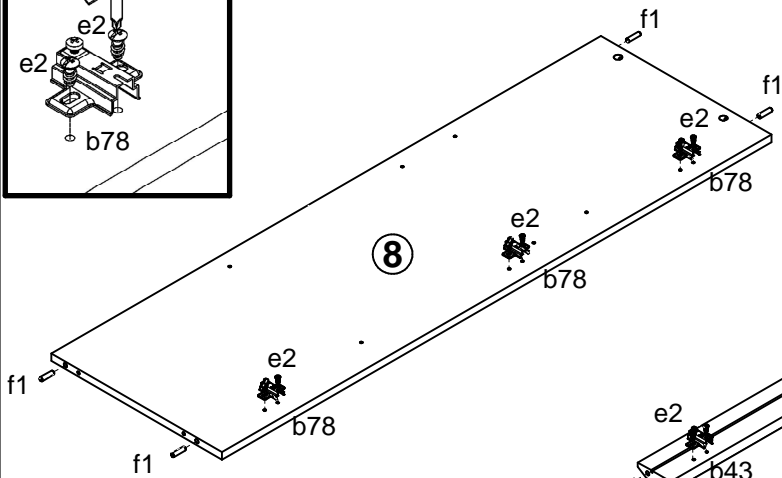
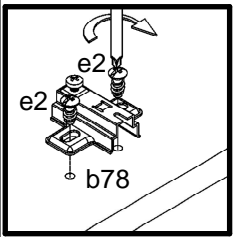
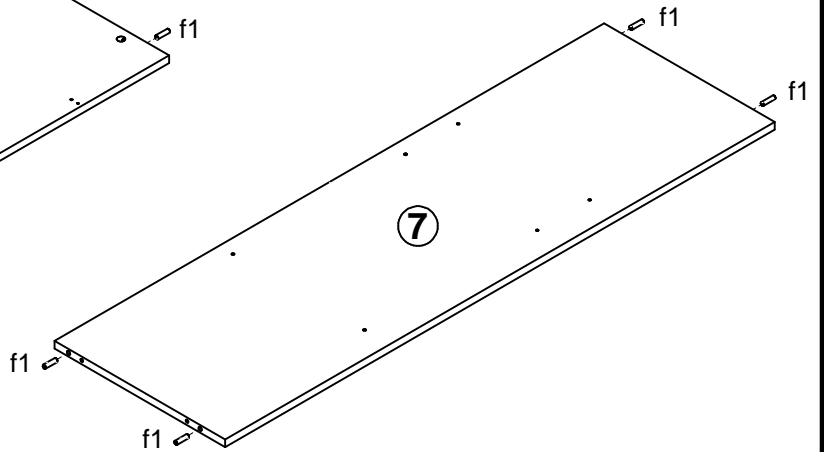
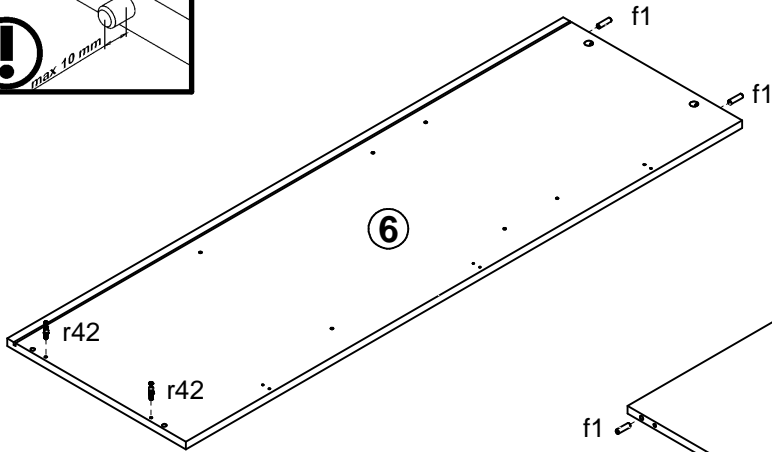
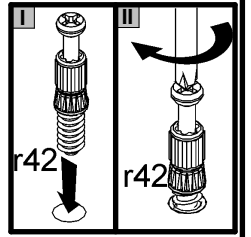
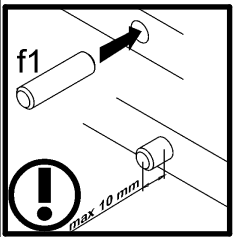
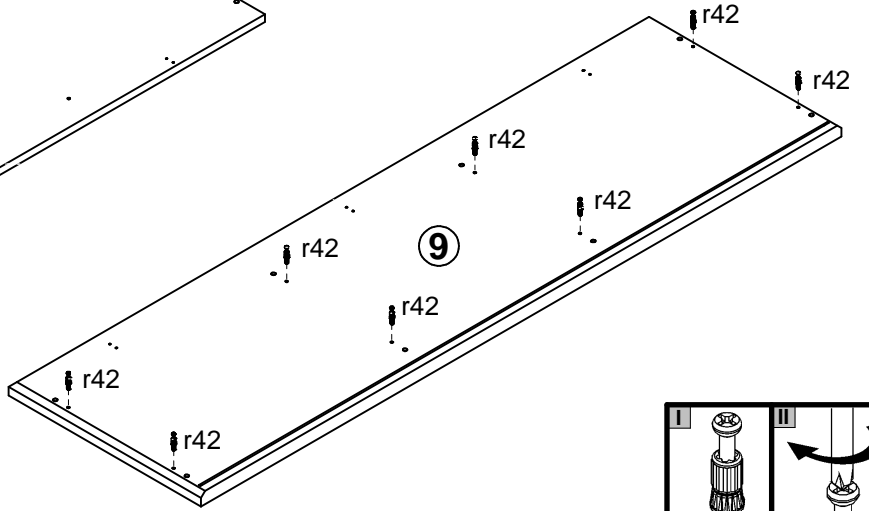
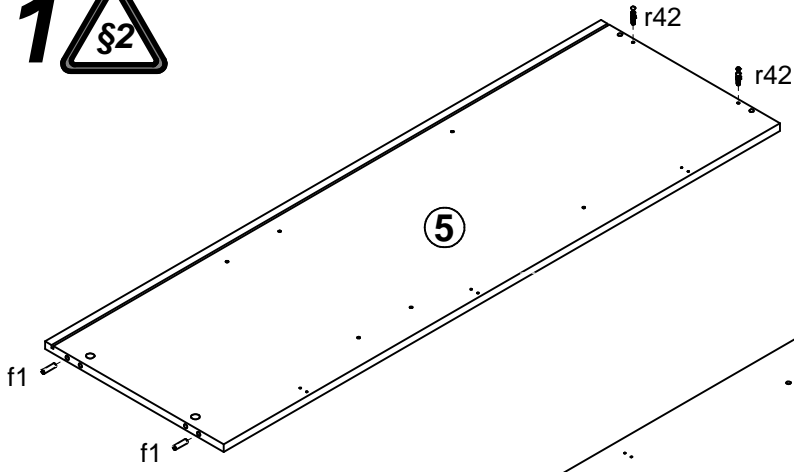
S359-REG3W

A	B	C	D	A	B	C	D		
1	S359-0032	771	455	5/6	11	S359-3021	514	409	2/6
2	S359-0033	455	176	5/6	12	S359-3022	441	409	1/6
3	S359-0034	771	455	5/6	13	S359-5011	1537	80	3/6
4	S359-0035	455	176	5/6	14	S359-5012	1537	80	3/6
5	S359-1041	1353	435	1/6	15	S359-5033	1193	80	3/6
6	S359-1042	1353	435	1/6	16	S359-5034	1193	80	3/6
7	S359-1043	1337	415	1/6	17	S359-5035	455	320	4/6
8	S359-1044	1337	415	1/6	18	S359-9013	1350	456	2/6
9	S359-2015	1558	468	2/6	19	S359-9309	1350	529	1/6
10	S359-3007	1504	435	2/6	20	S359-9310	1350	529	1/6

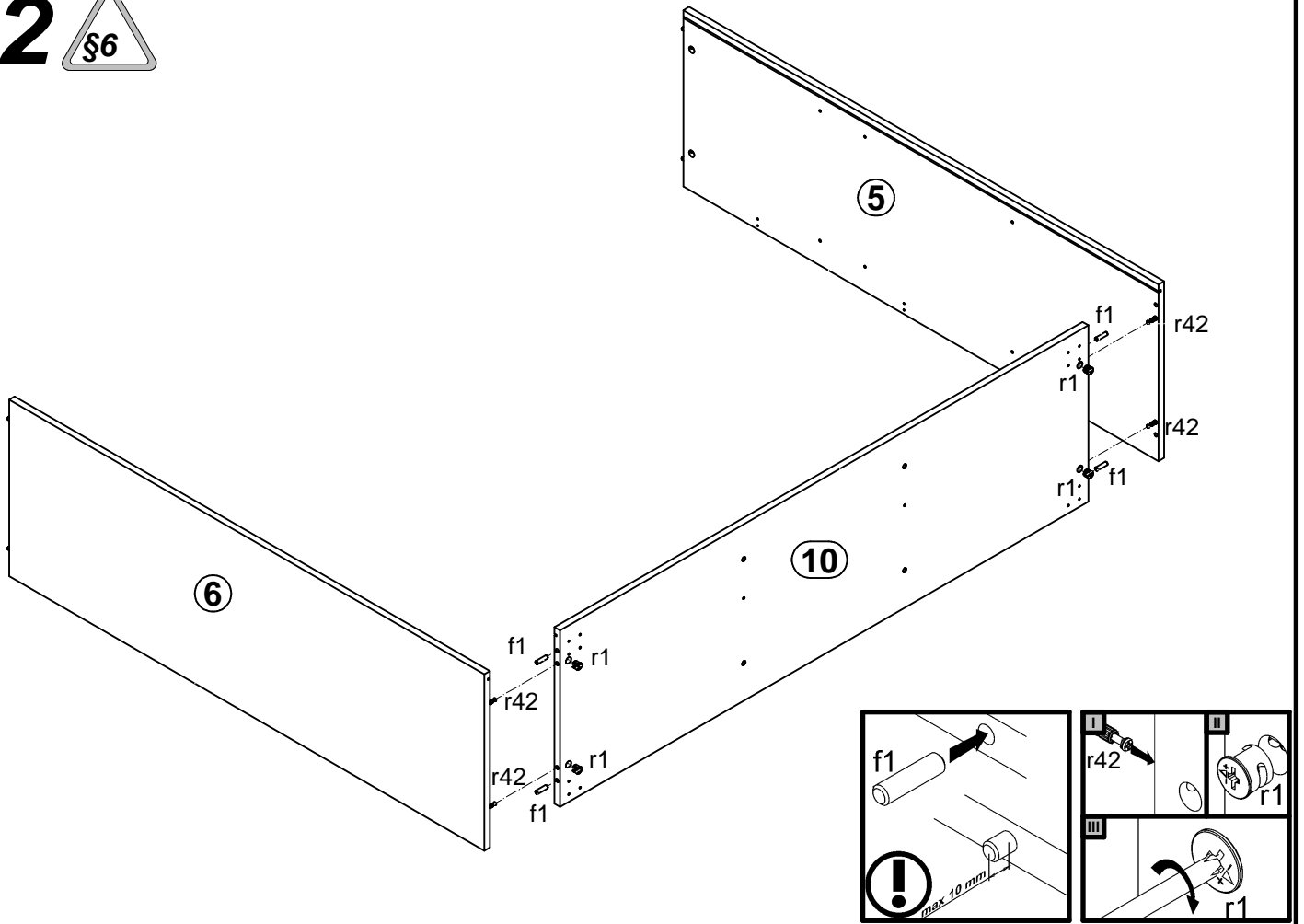


6x a132	3x a133	3x a159	6x b43	3x b78	3x c415	36x d1	12x d37	4x e1
20x e2	24x e41	12x e58	24x f1	1x f35	3x j1	4x k125	2x k3813	2x k3817
18x l2	12x n108	1x n142	3x o114	24x o54	1x p17	58x p38	18x p51	12x p55
12x r1	12x r42	1x o70					8x s68	1x z1

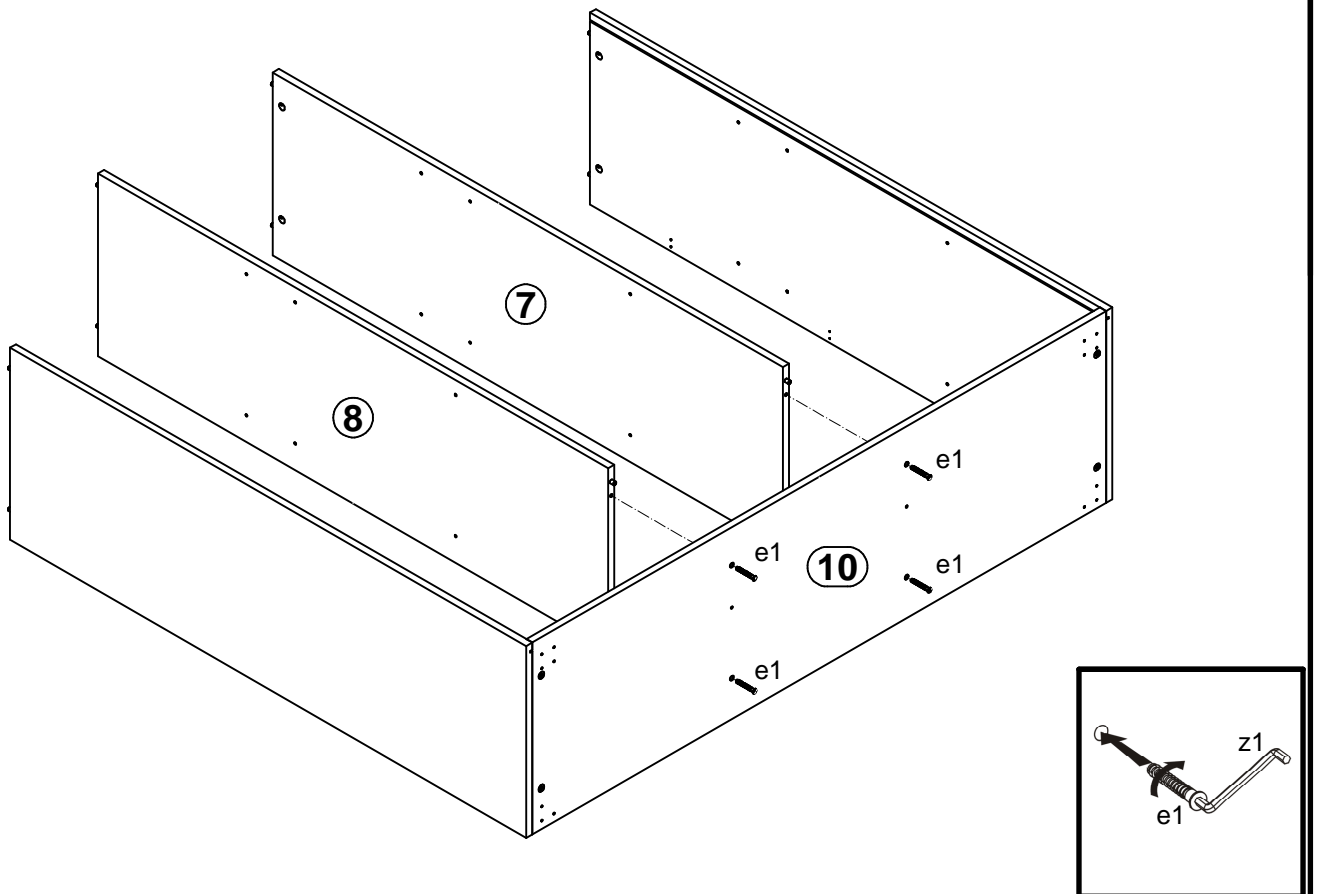
1 



2 

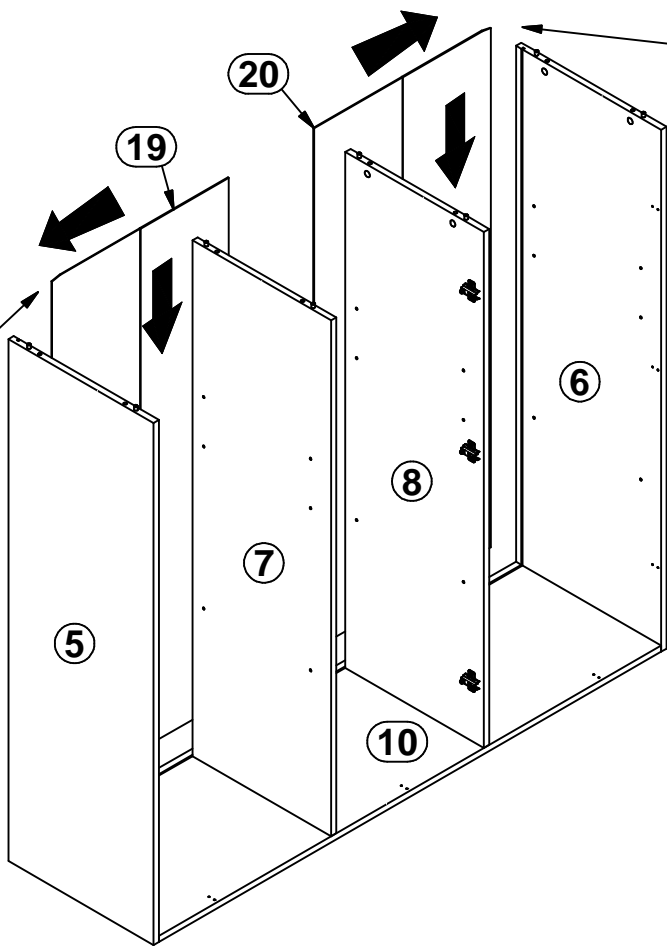
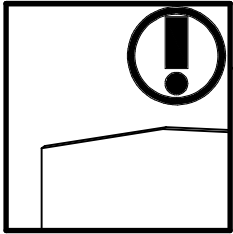


3

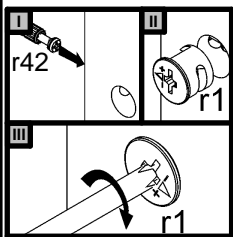
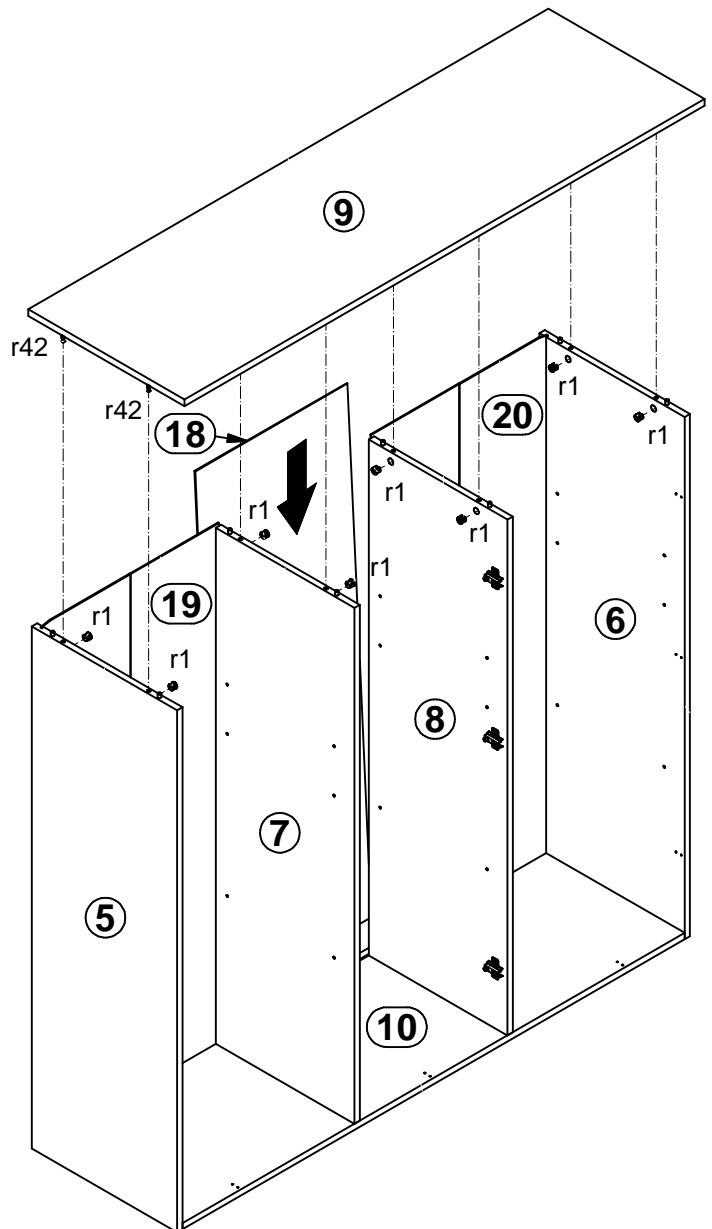


4

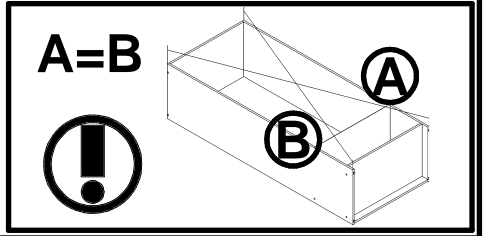
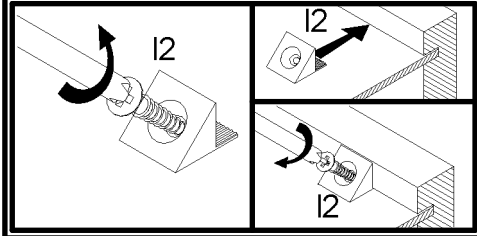
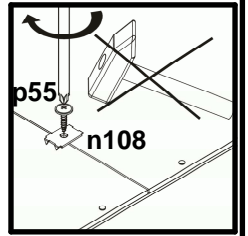
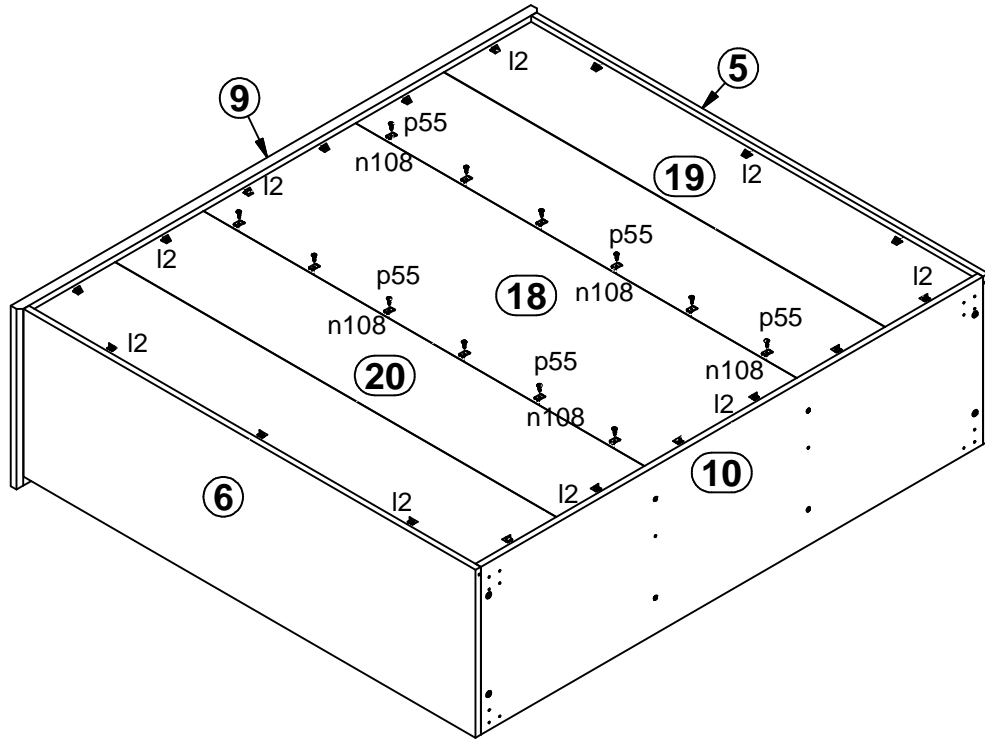
I



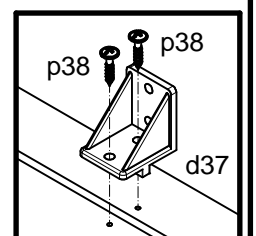
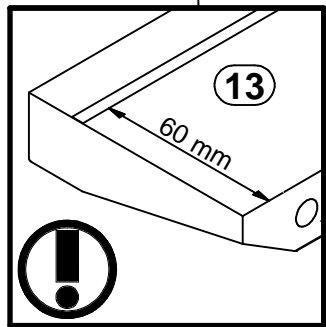
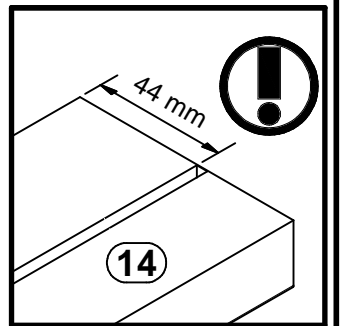
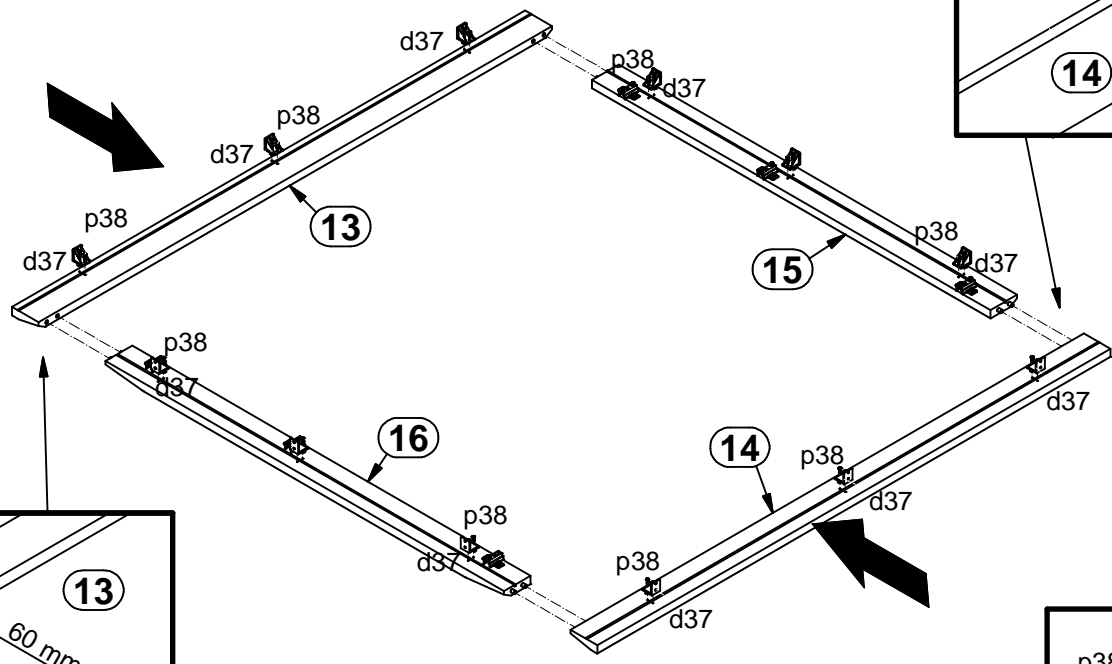
II



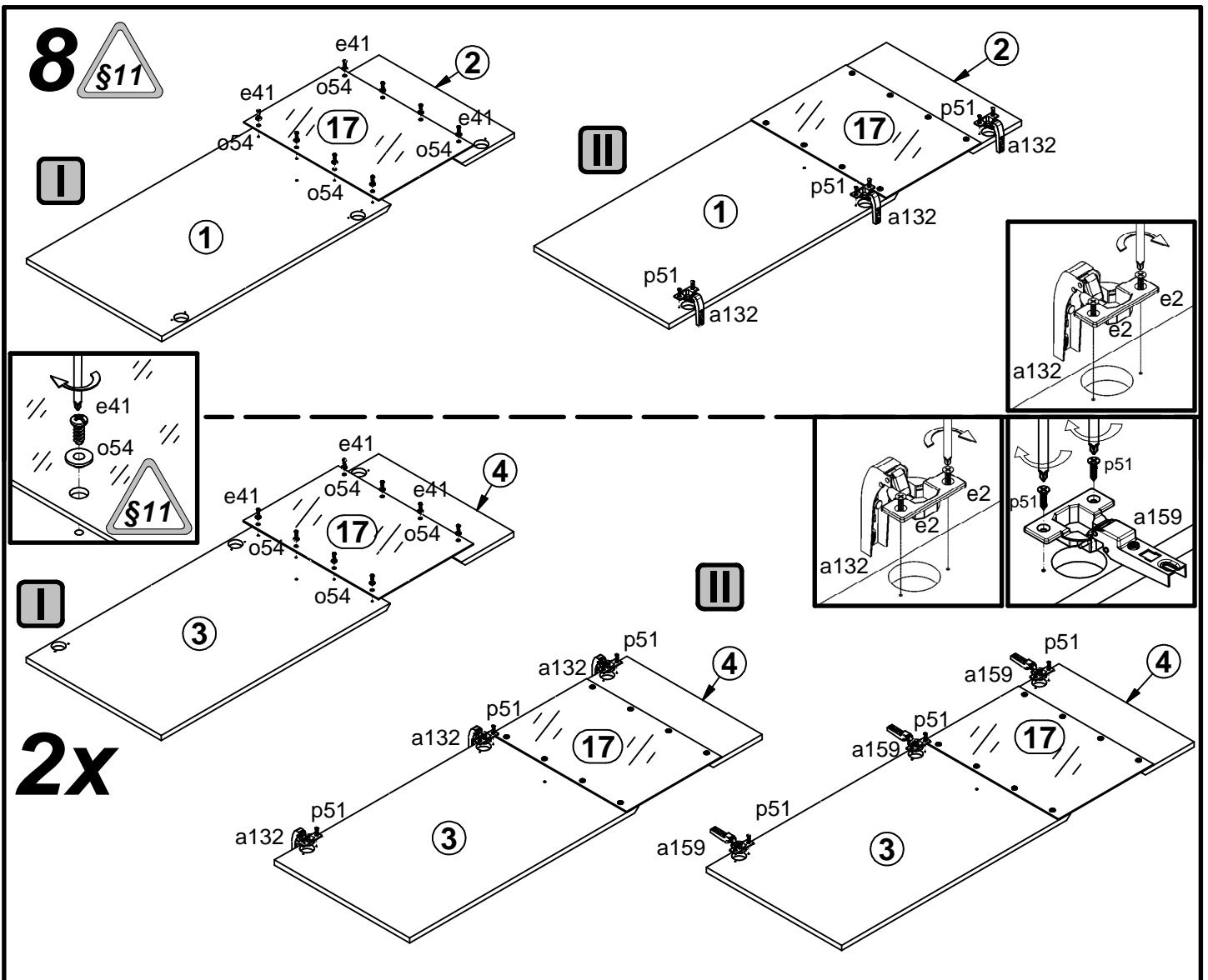
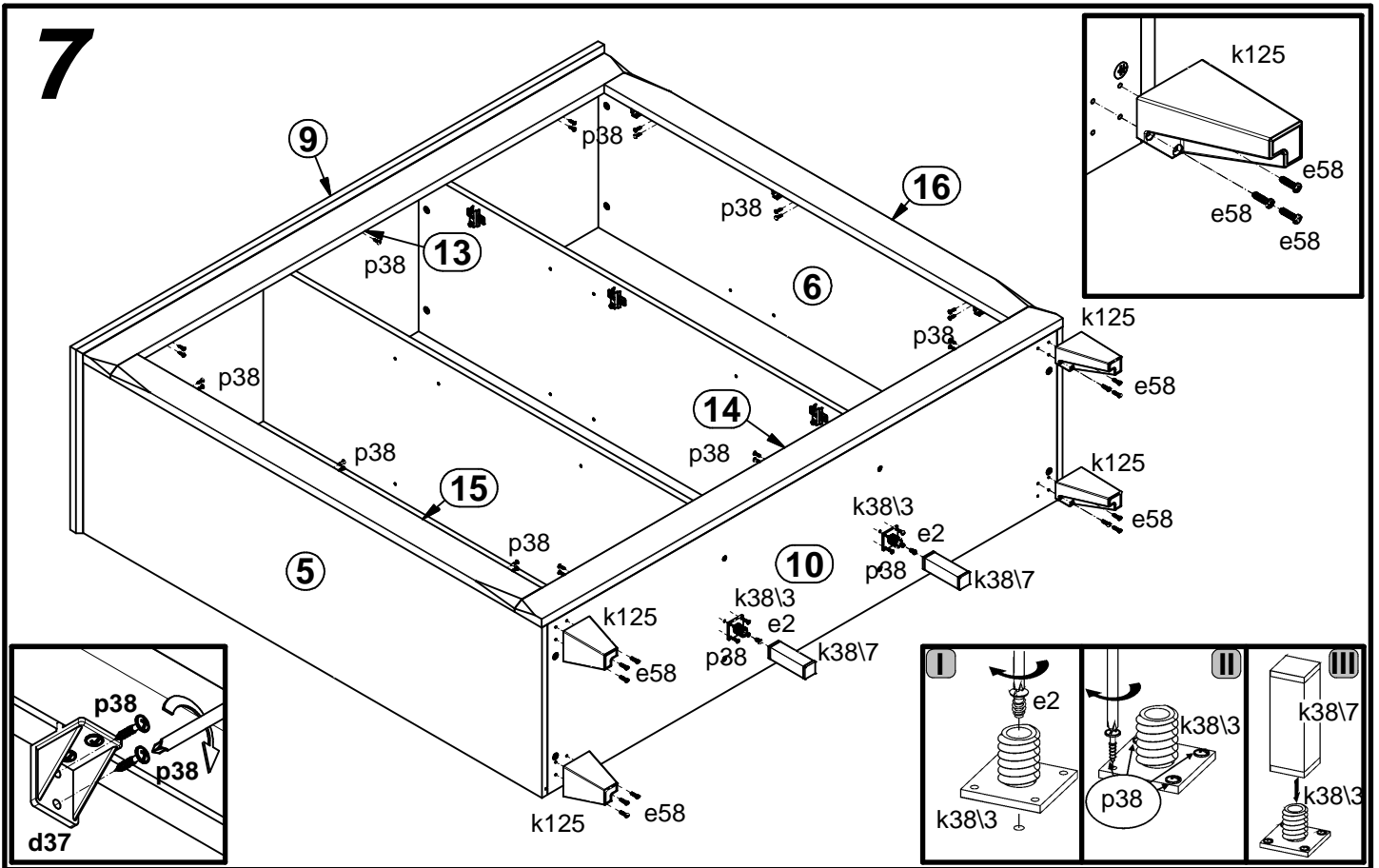
5



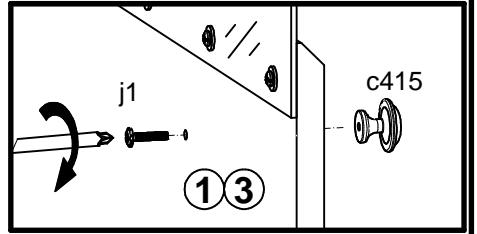
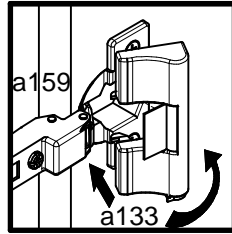
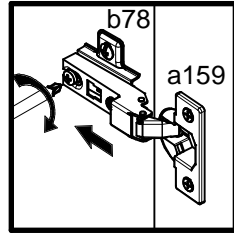
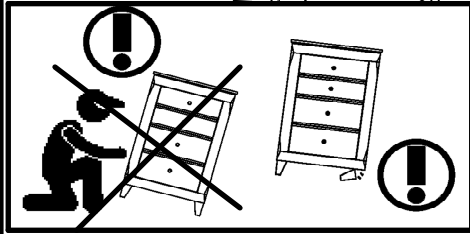
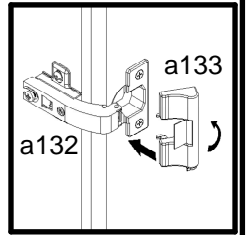
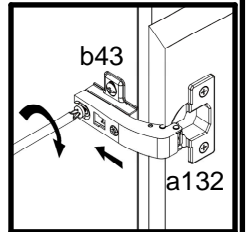
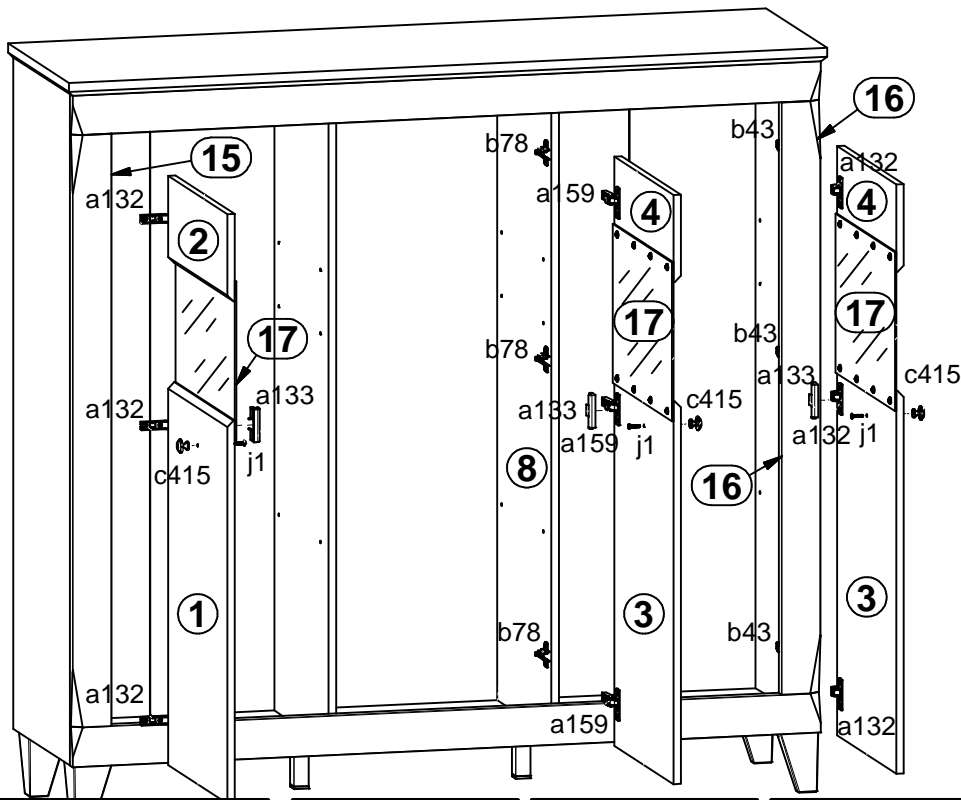
6



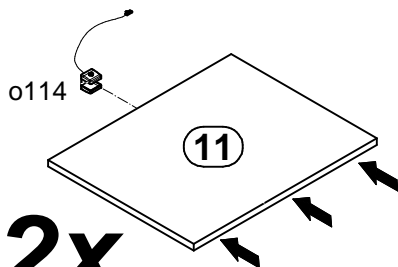
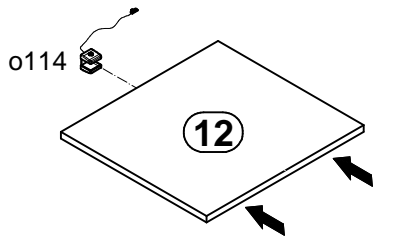
7



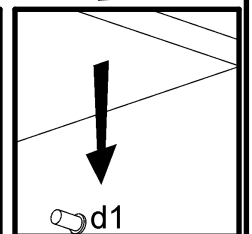
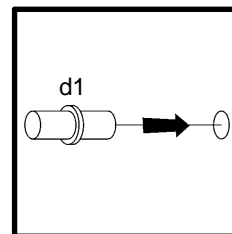
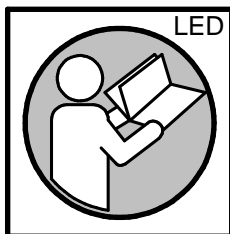
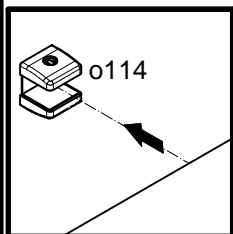
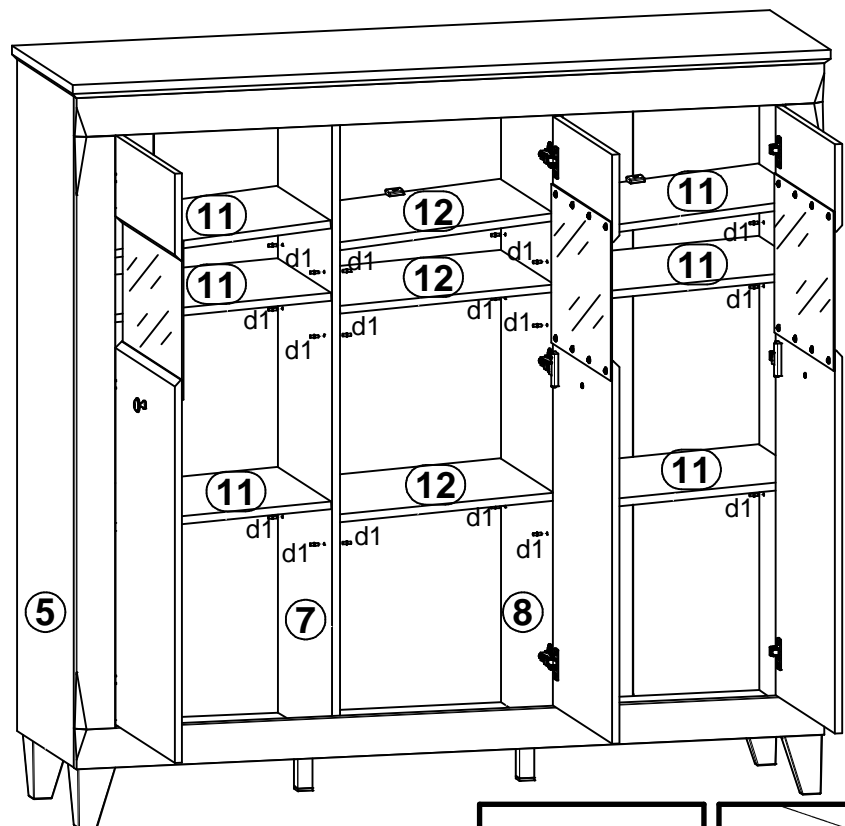
9



10



2x



11

