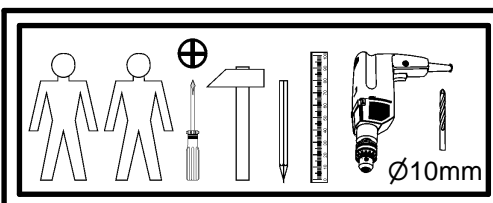
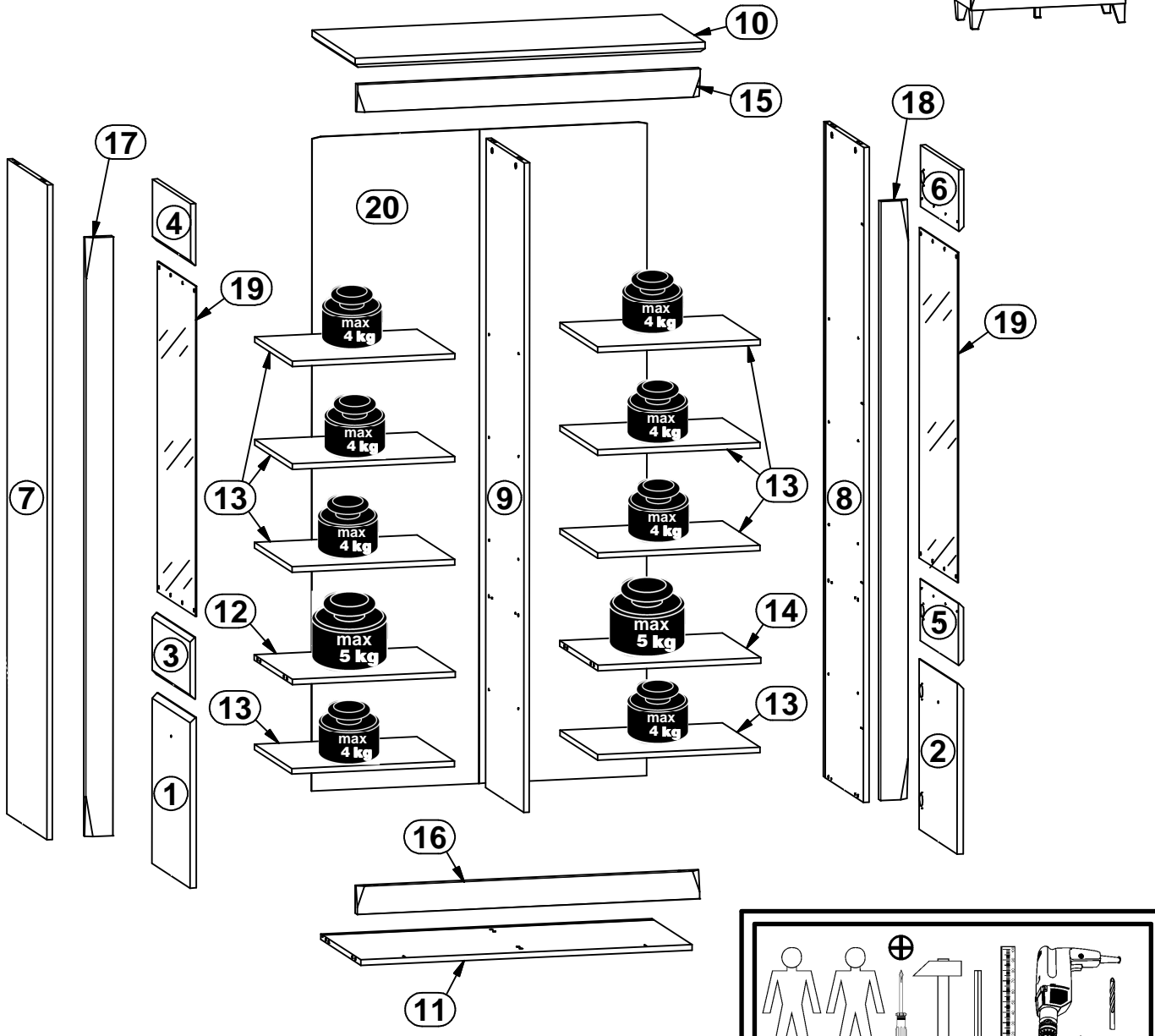
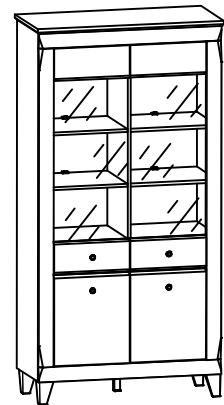
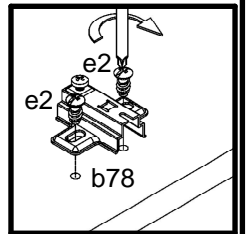
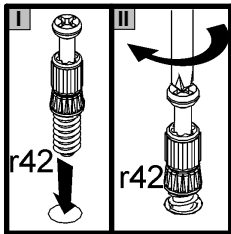
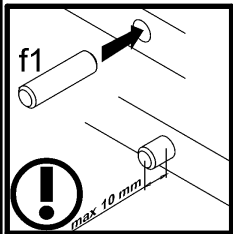
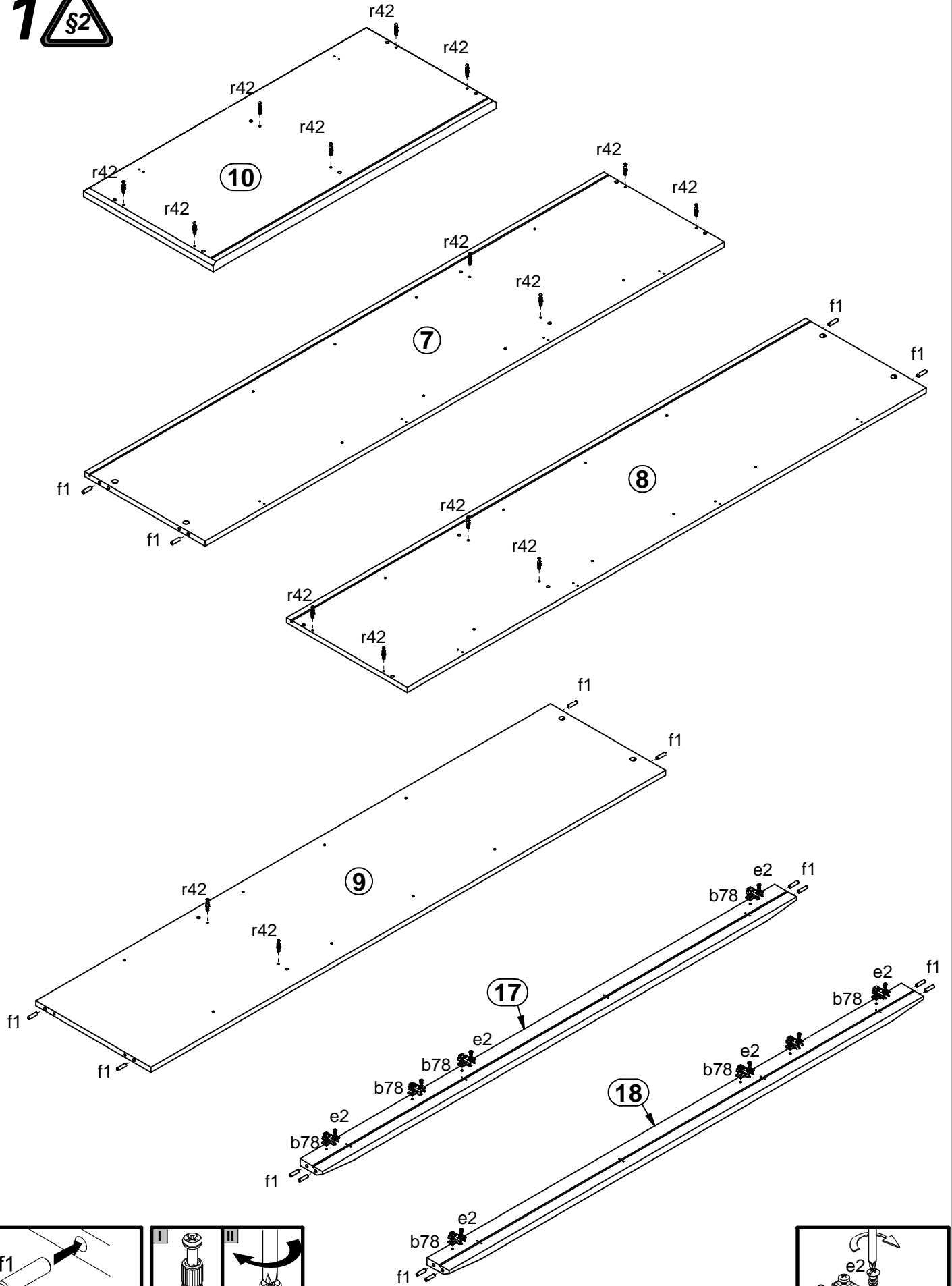


A	B	C	D	A	B	C	D		
1	S359-0015	487	415	5/7	11	S359-3011	966	435	2/7
2	S359-0016	487	415	5/7	12	S359-3012	475	415	2/7
3	S359-0017	415	176	6/7	13	S359-3014	474	409	2/7
4	S359-0018	415	176	6/7	14	S359-3015	475	415	2/7
5	S359-0019	415	176	6/7	15	S359-5015	999	80	3/7
6	S359-0020	415	176	6/7	16	S359-5016	999	80	3/7
7	S359-1021	1872	435	1/7	17	S359-5017	1712	80	3/7
8	S359-1022	1872	435	1/7	18	S359-5018	1712	80	3/7
9	S359-1023	1856	415	1/7	19	S359-5019	944	415	4/7
10	S359-2006	1020	468	2/7	20	S359-9306	1869	977	1/7

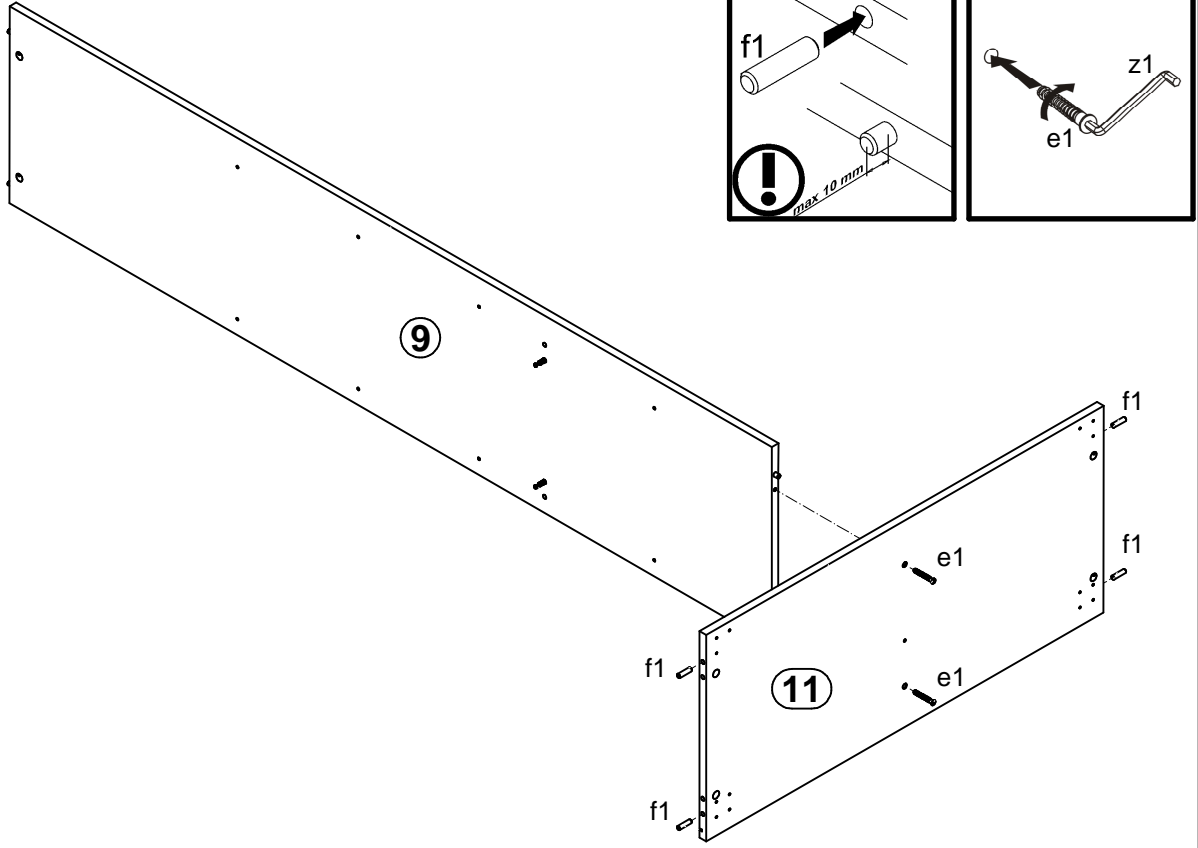


4x a63	8x a132	4x a133	8x b78	4x c415	32x d1	12x d37	2x e1	17x e2
16x e41	12x e58	28x f1	1x f35	2x j1	2x j30	1x k38/3	1x k38/7	4x k125
10x l1	14x l2	1x n14/2	16x o54	1x o70/6	1x p17	68x p38	8x p51	
4x o114	8x p143	18x r1	18x r42	6x s68	1x z1			

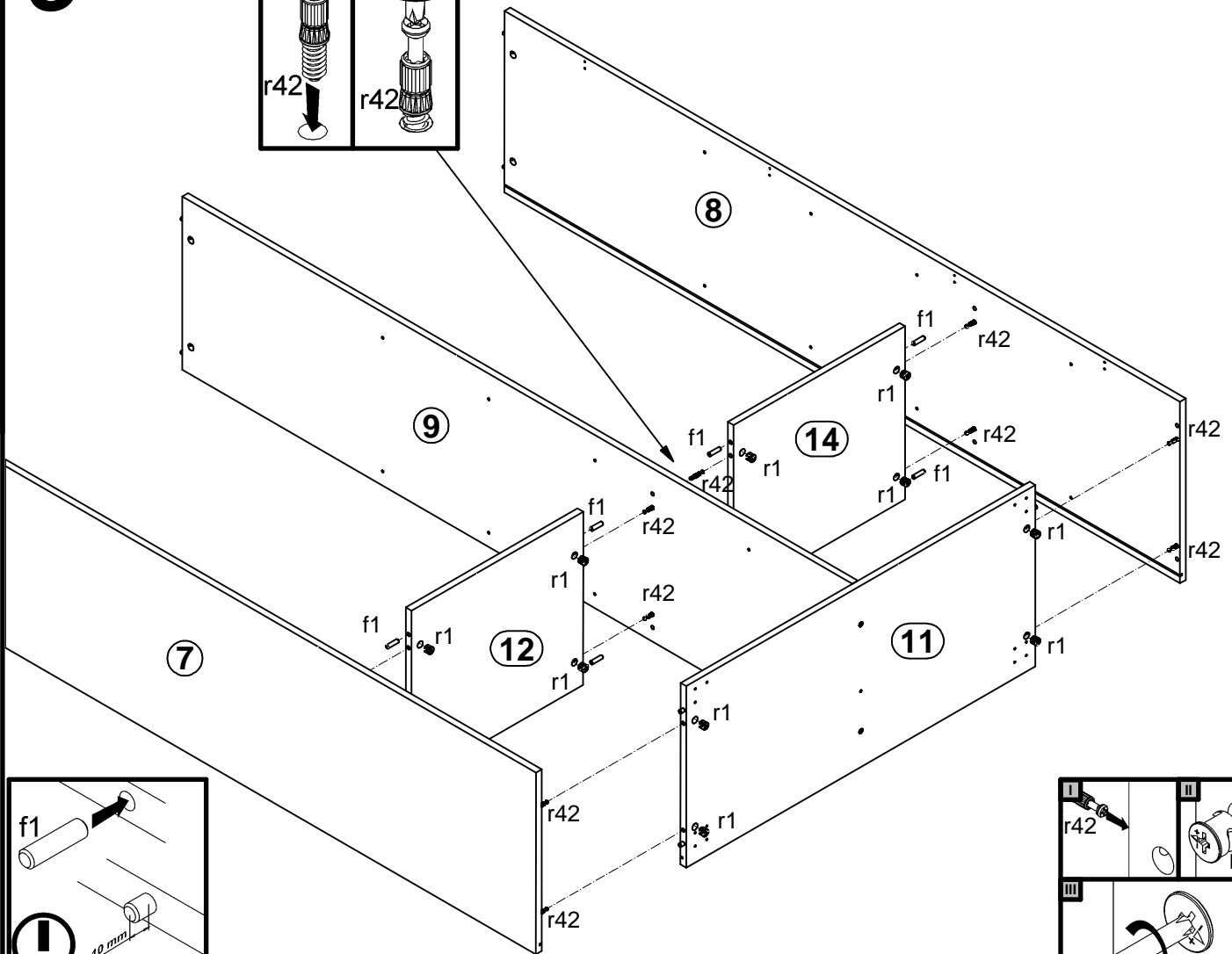
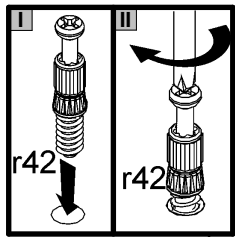
1 

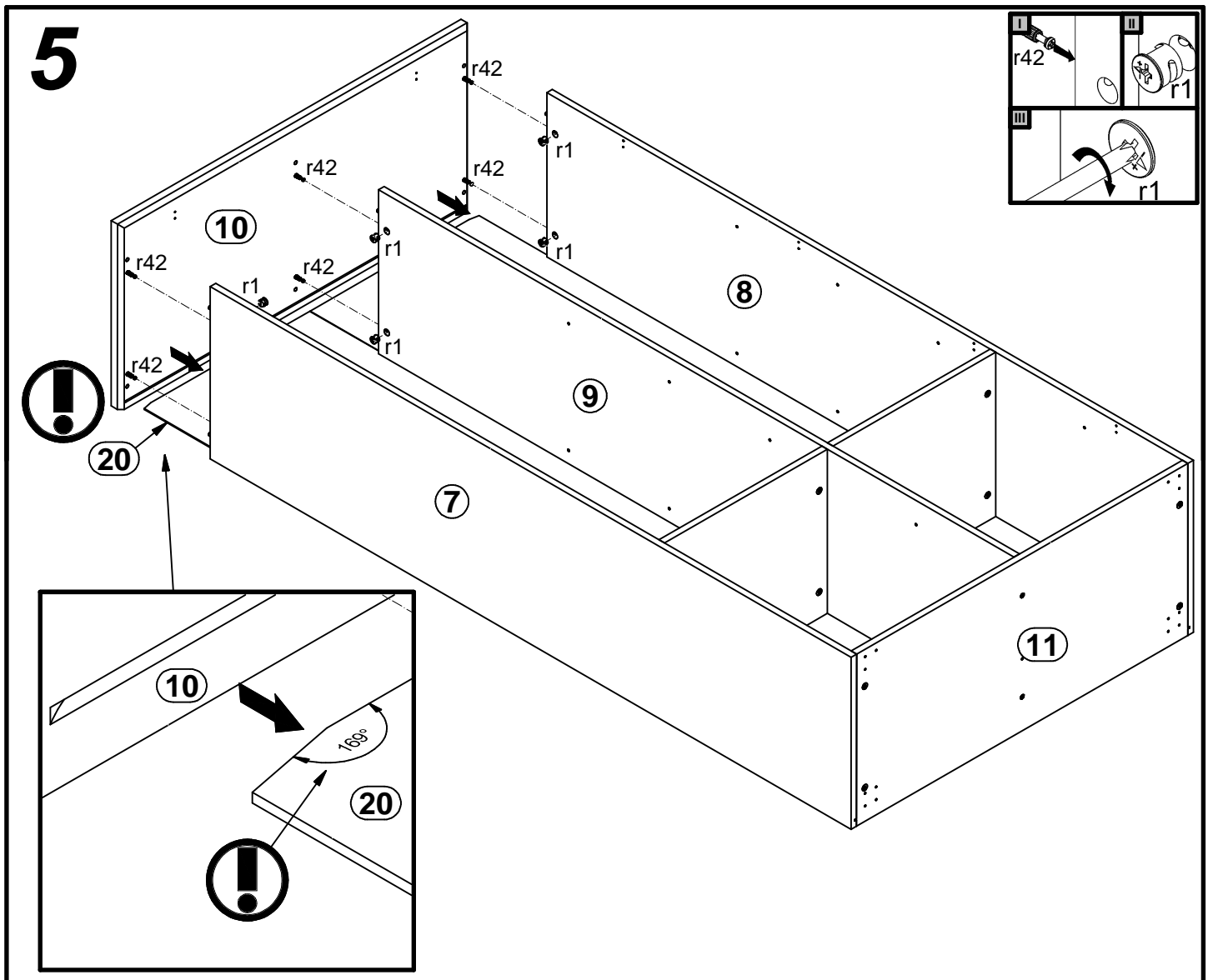
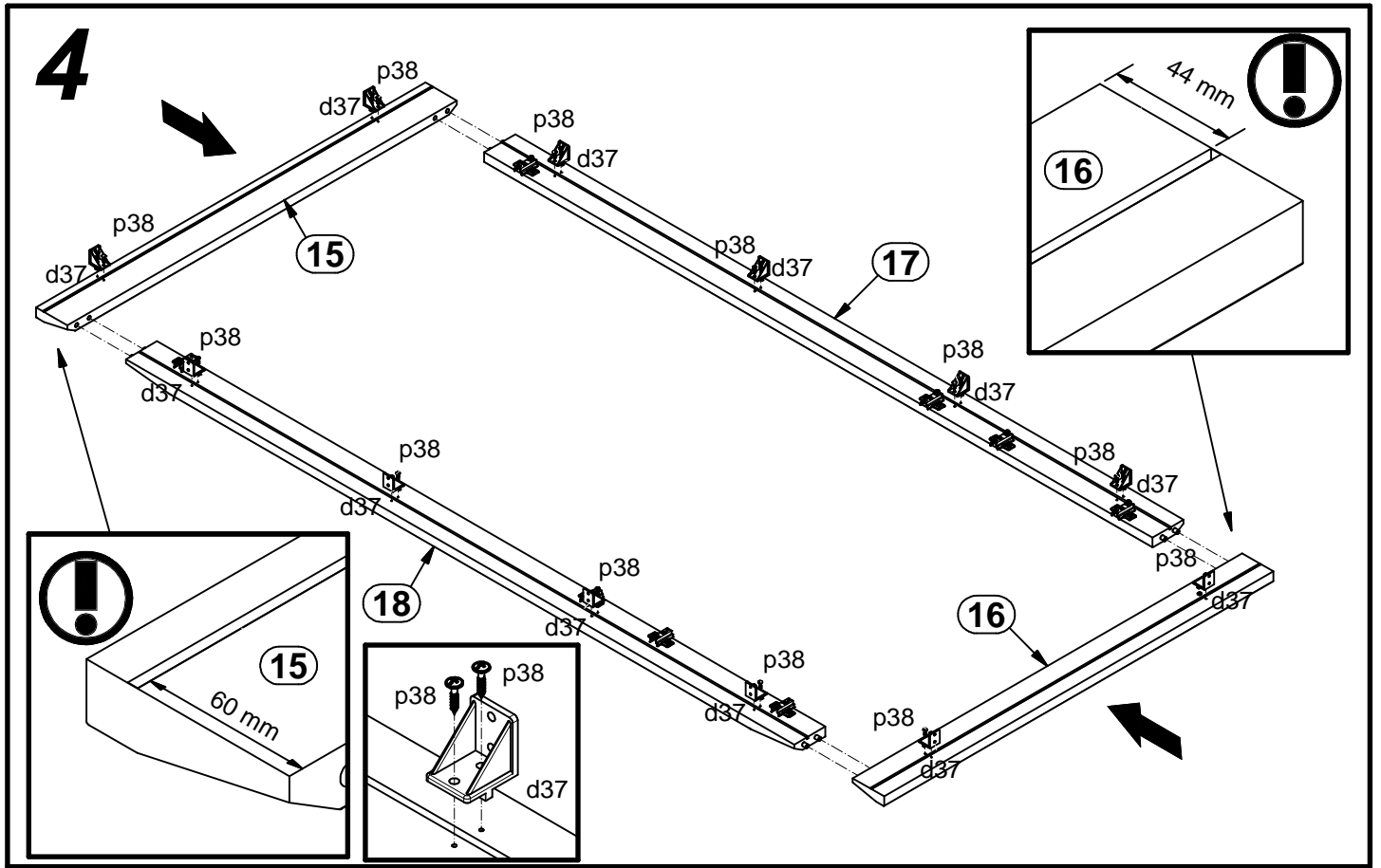


**2** §6

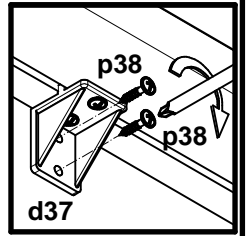
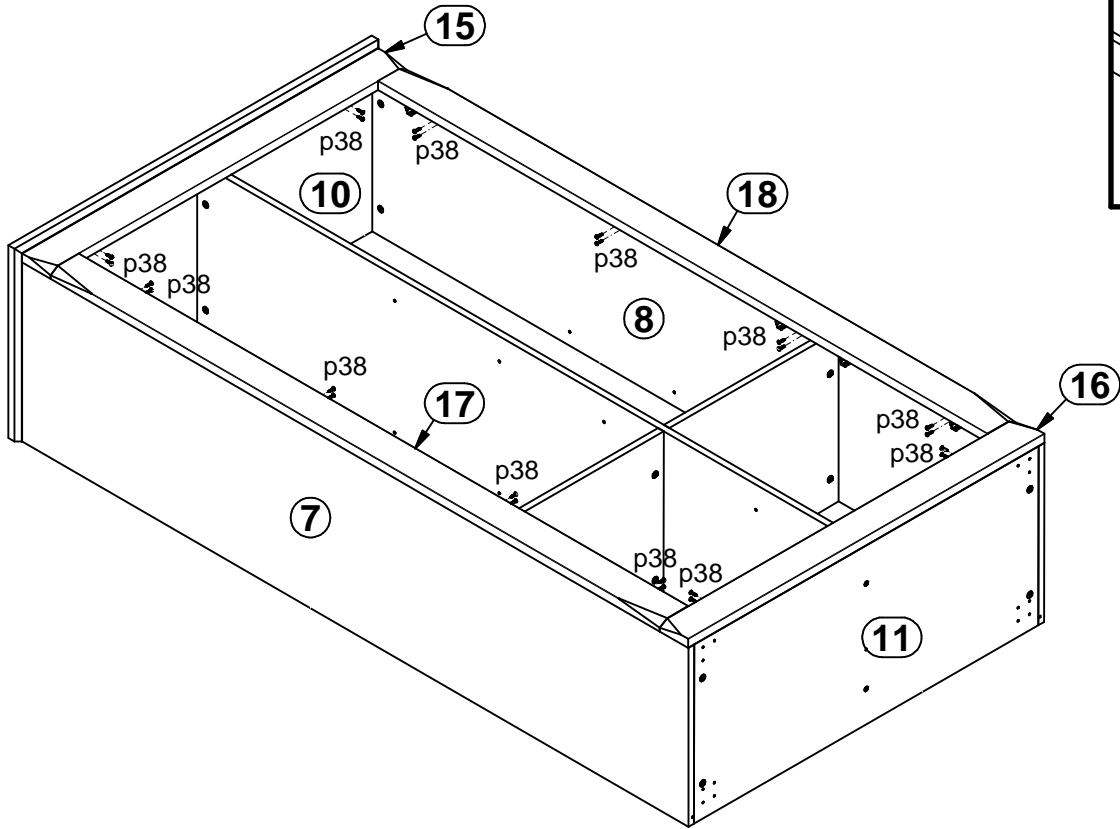


**3**

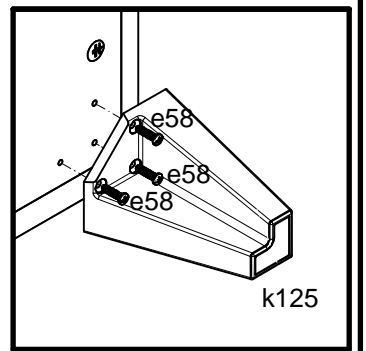
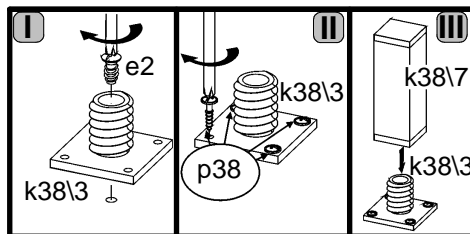
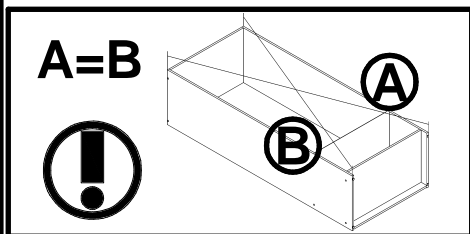
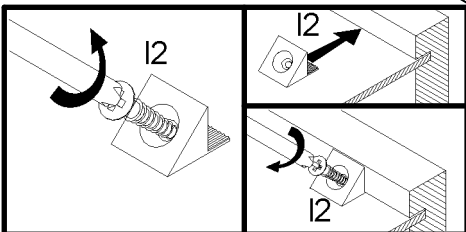
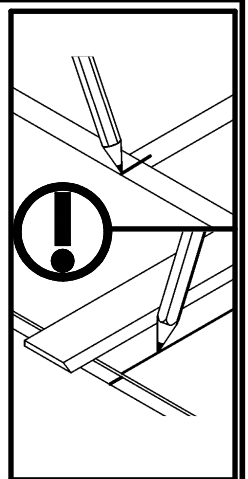
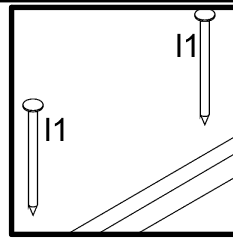
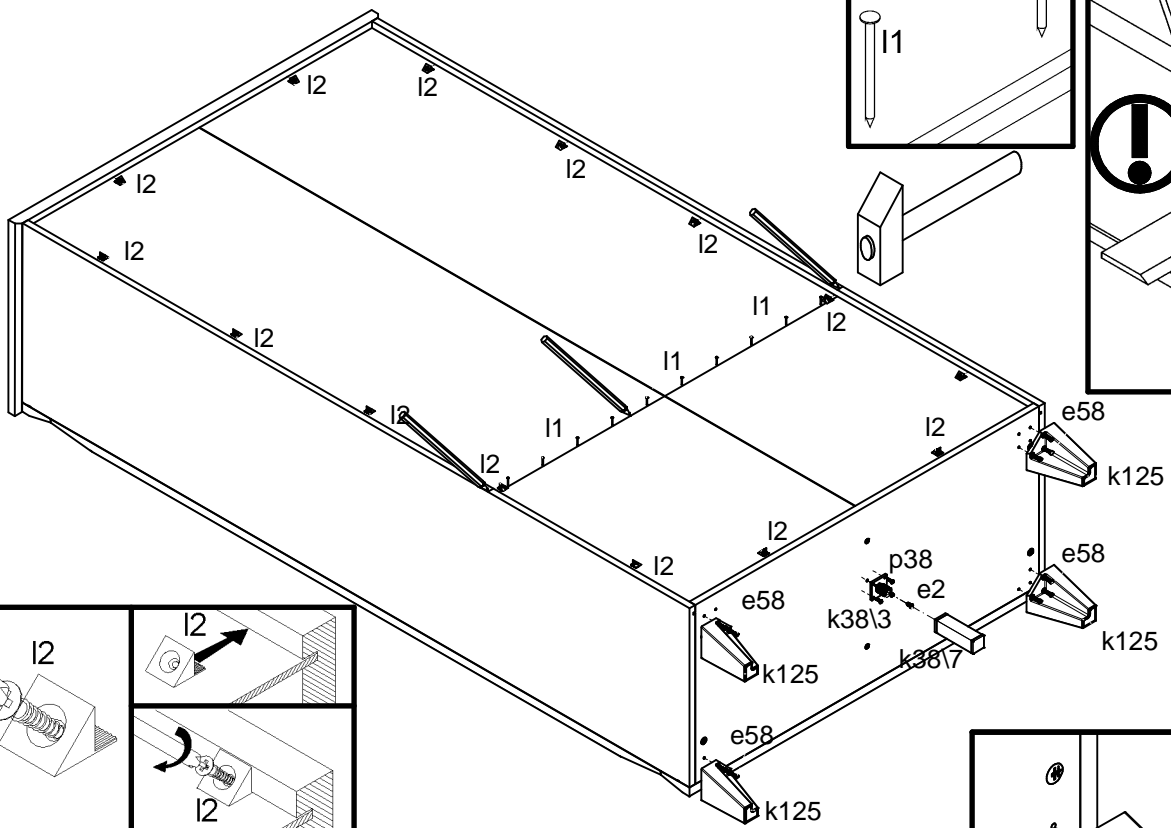




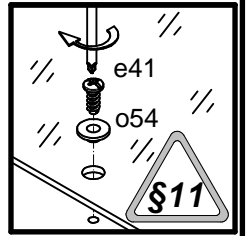
# 6



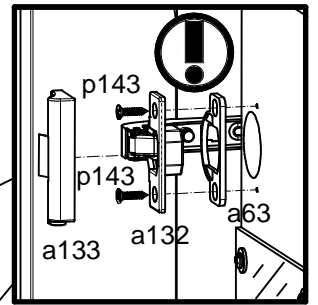
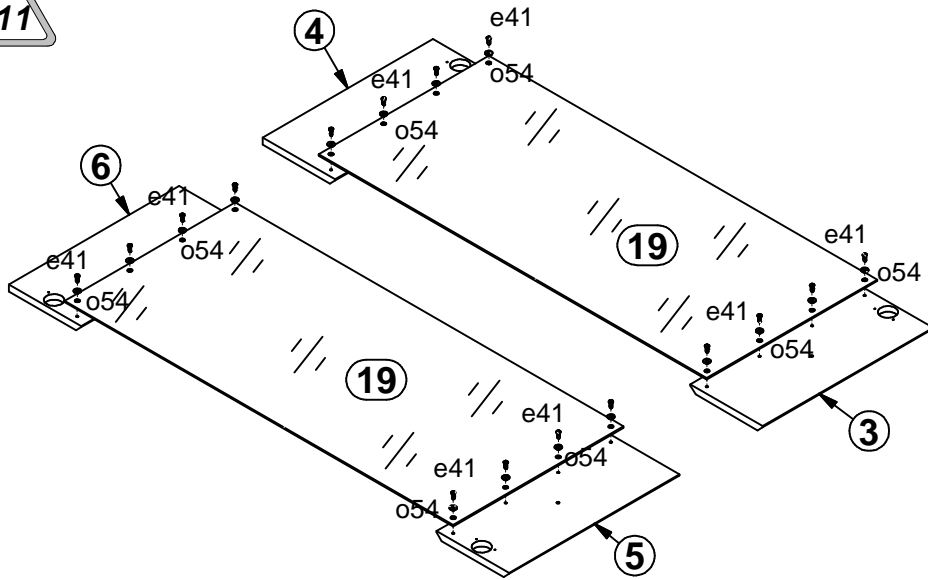
# 7



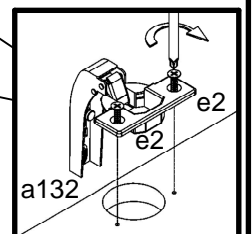
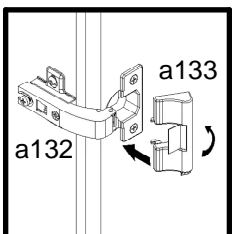
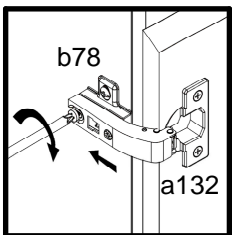
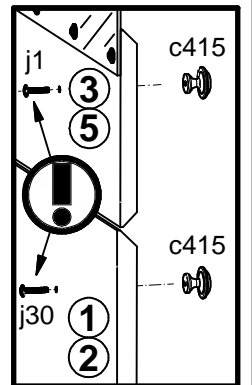
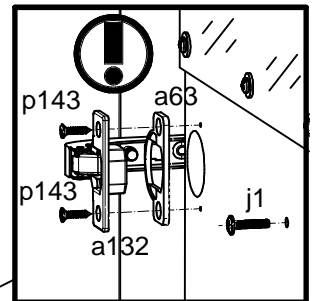
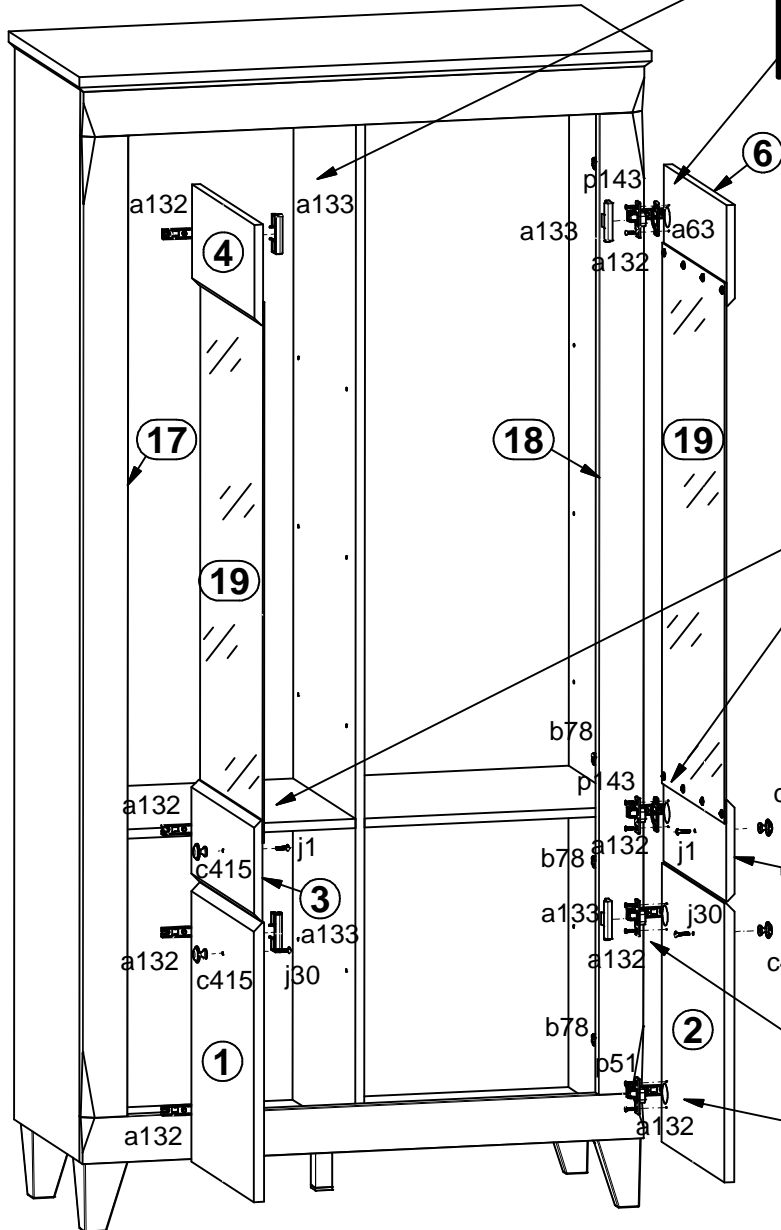
# 8 §11



I

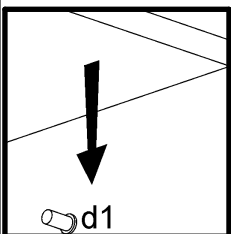
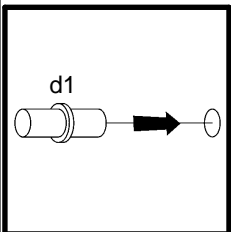
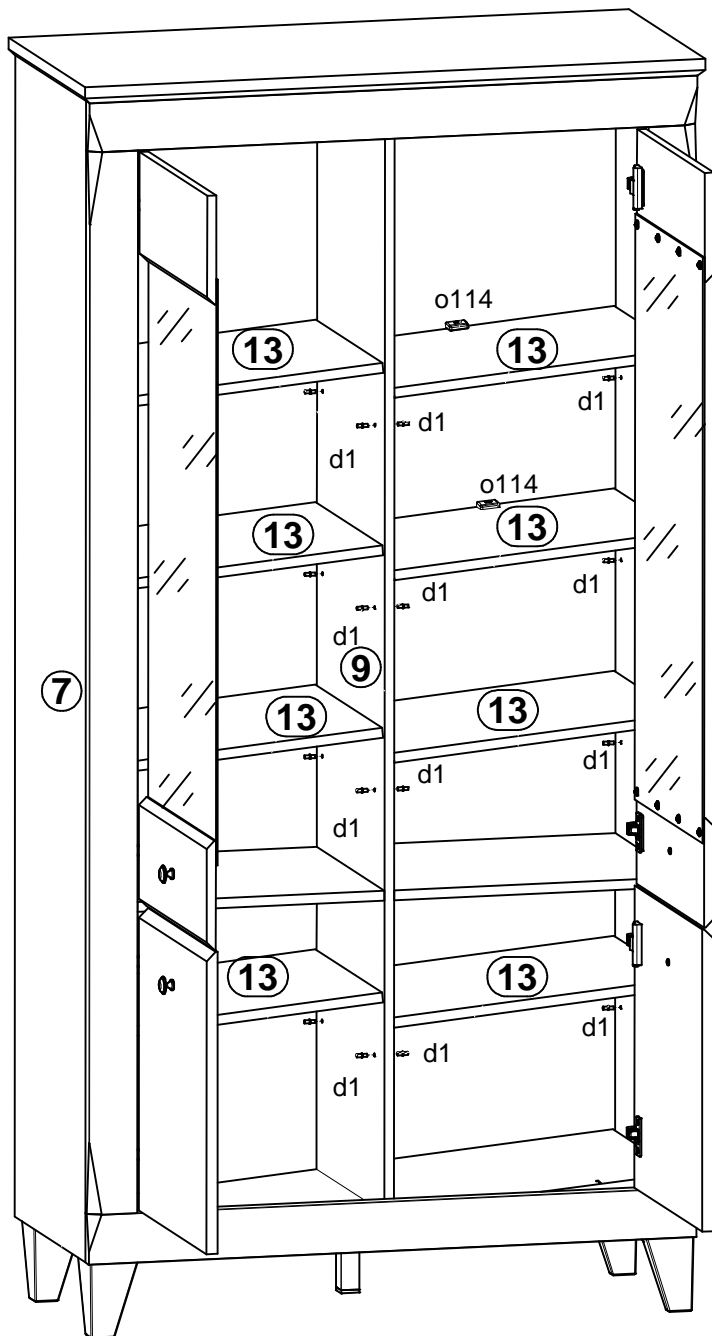
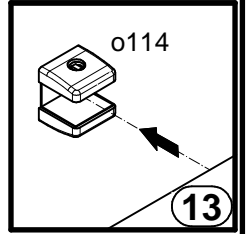
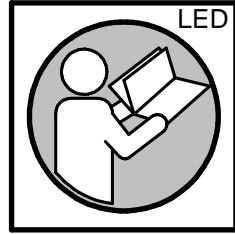
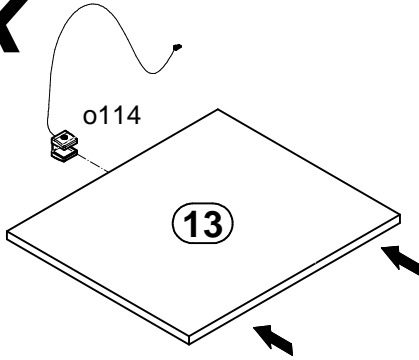


II



# 9

## 4x



# 10

