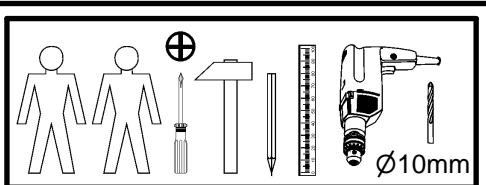
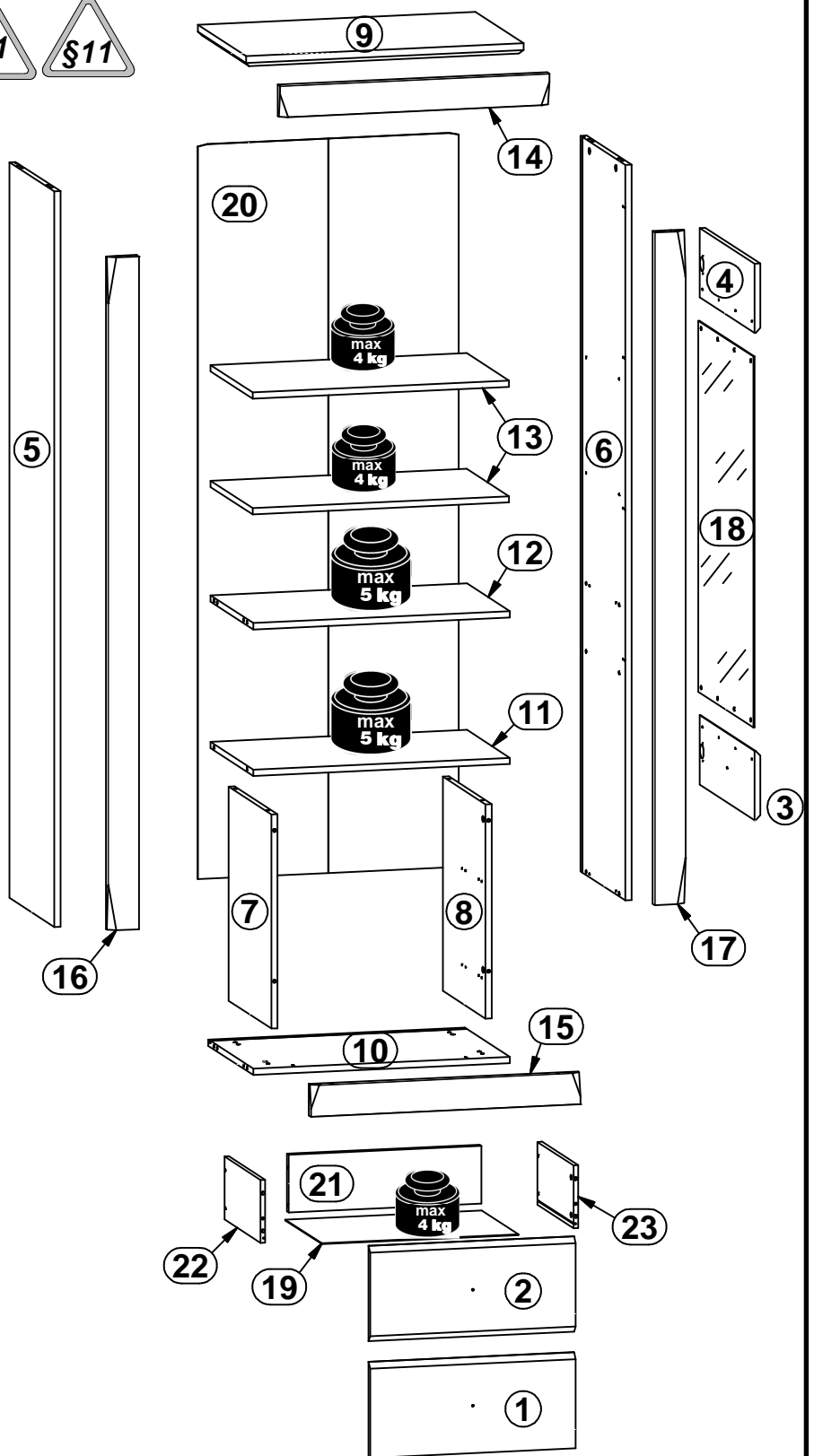
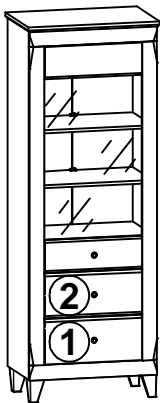
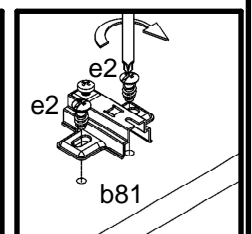
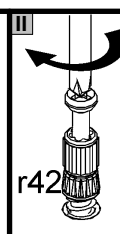
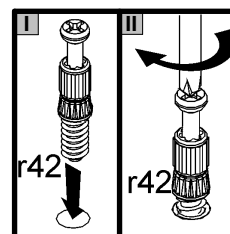
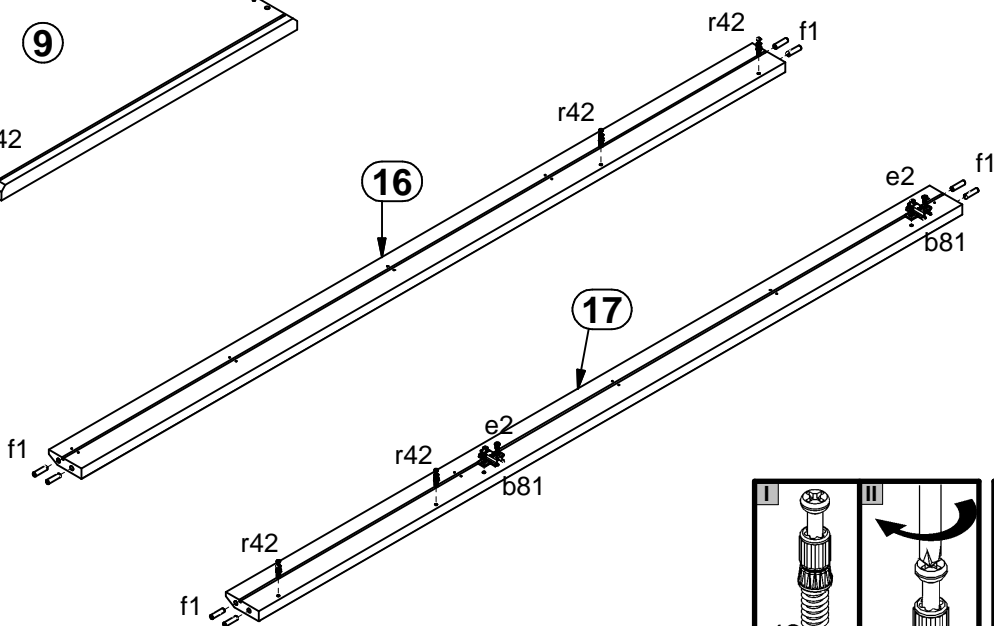
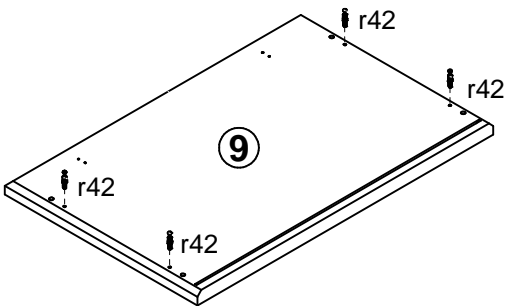
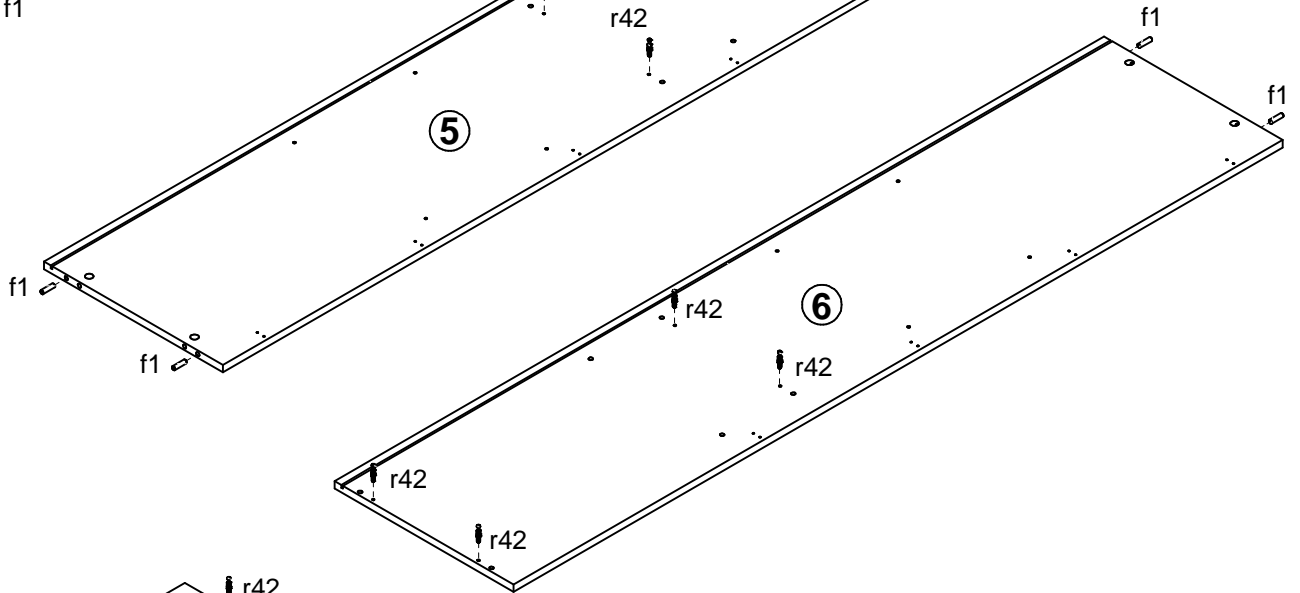
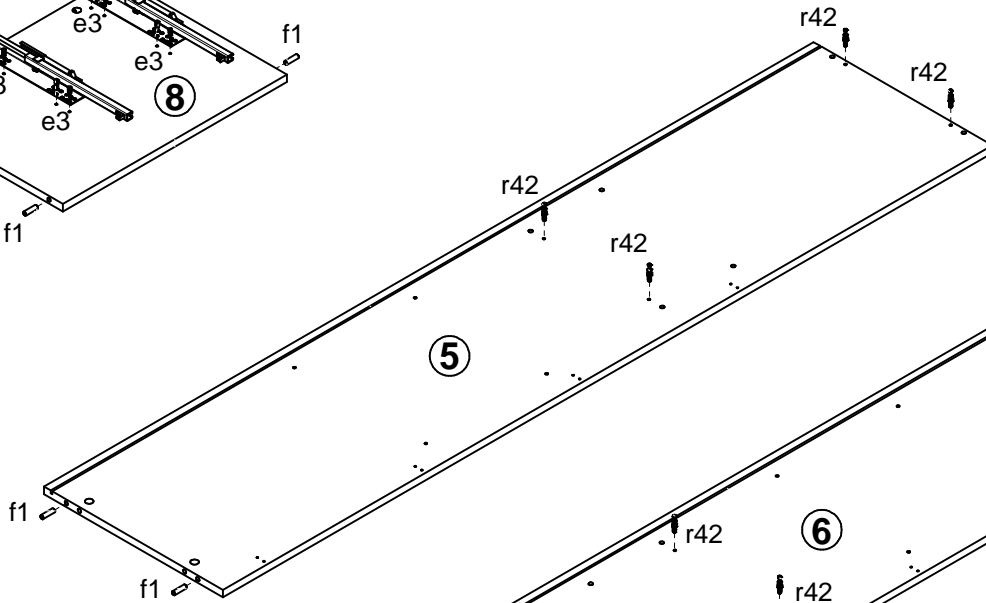
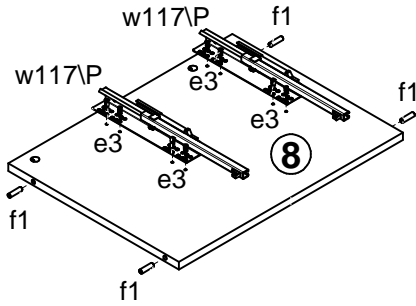
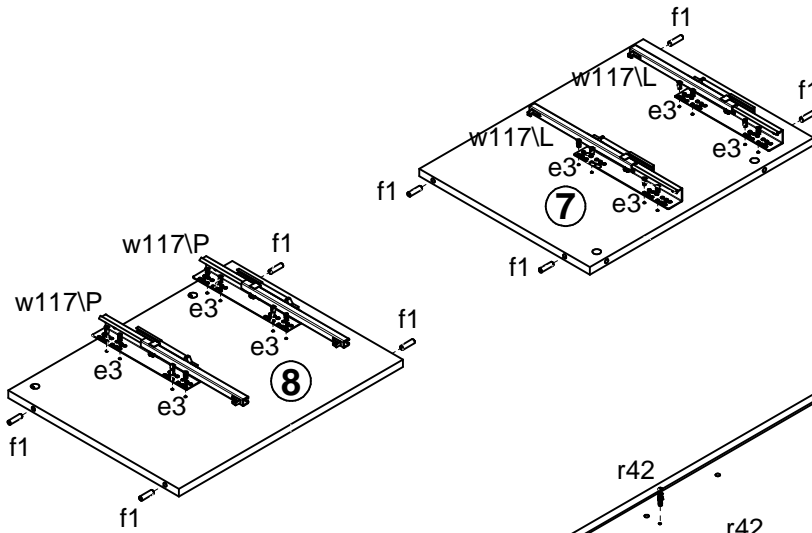
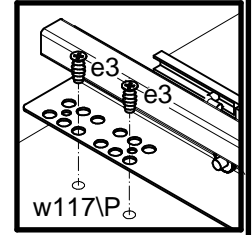
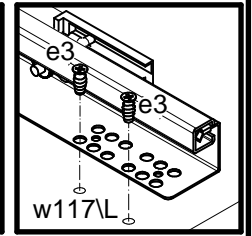
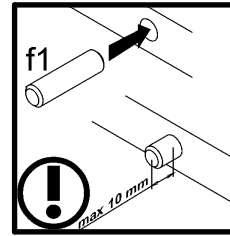


A	B	C	D	
1	S359-0001	533	242	5/7
2	S359-0002	533	242	5/7
3	S359-0005	533	176	6/7
4	S359-0006	533	176	6/7
5	S359-1005	1872	435	1/7
6	S359-1006	1872	435	1/7
7	S359-1007	545	415	1/7
8	S359-1008	545	415	1/7
9	S359-2002	720	468	2/7
10	S359-3001	666	435	1/7
11	S359-3002	666	415	2/7
12	S359-3003	666	415	2/7
13	S359-3004	665	409	2/7
14	S359-5002	699	80	3/7
15	S359-5003	699	80	3/7
16	S359-5004	1712	80	3/7
17	S359-5005	1712	80	3/7
18	S359-5006	944	533	4/7
19	S359-9001	510	355	2/7
20	S359-9302	1869	677	1/7
21	ZQ2-1511	500	147	2/7
22	ZQ3-503	350	160	2/7
23	ZQ3-504	350	160	2/7

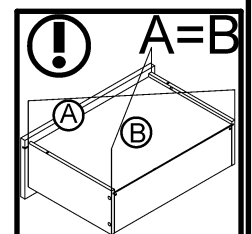
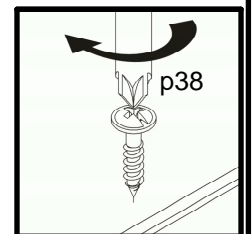
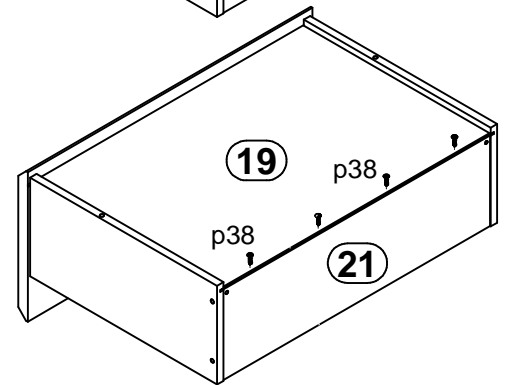
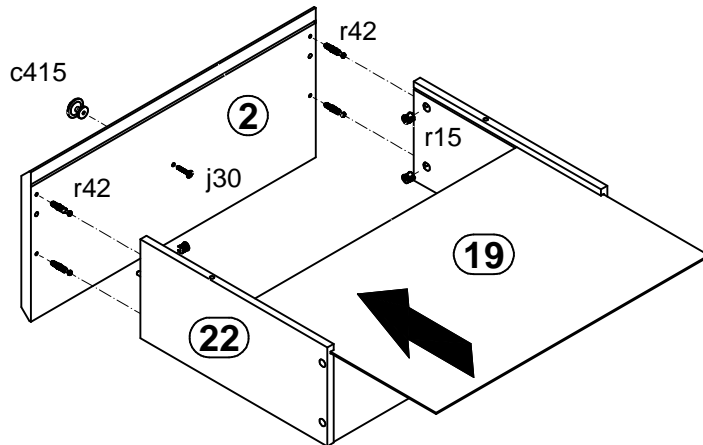
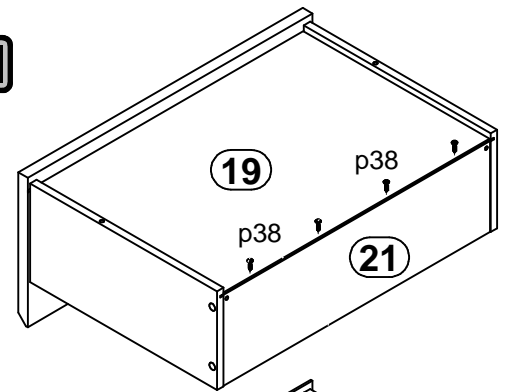
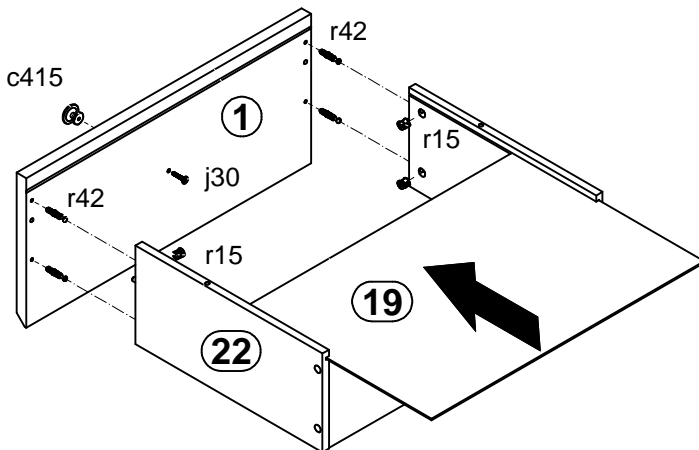
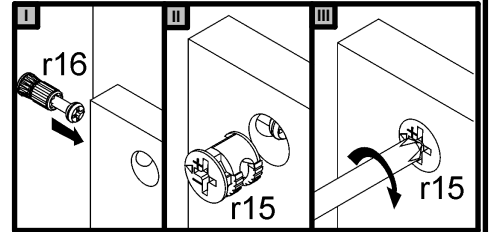
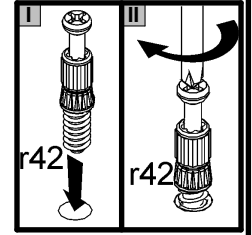
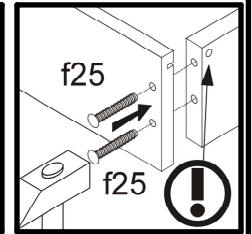
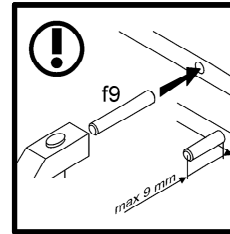
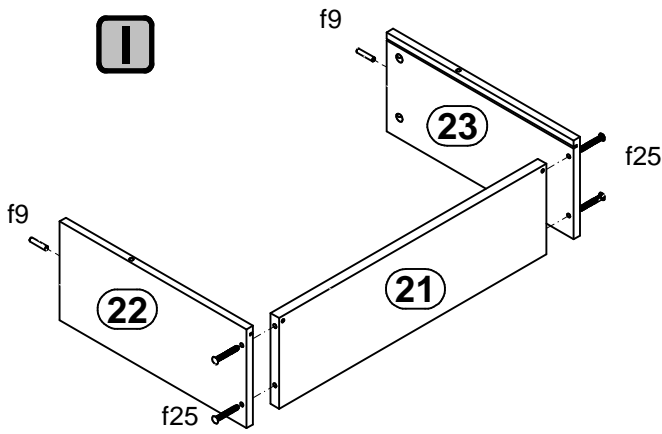


2x a132	2x a133	2x b81	3x c415	8x d1	12x d37	4x e1	4x e2	16x e3
8x e41	12x e58	32x f1	4x f9	8x f25	1x f35	2x j30	1x j59	4x k125
10x l1	14x l2	1x n14/L2	8x o54	1x p17	58x p38	4x p51	16x r1	8x r15
24x r42	2x w117/L	2x w117/P	1x o70/5	2x o114	6x s68	1x z1		

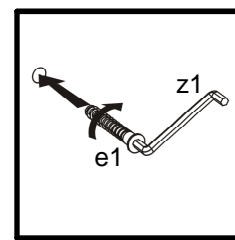
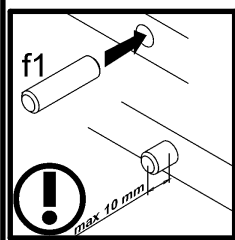
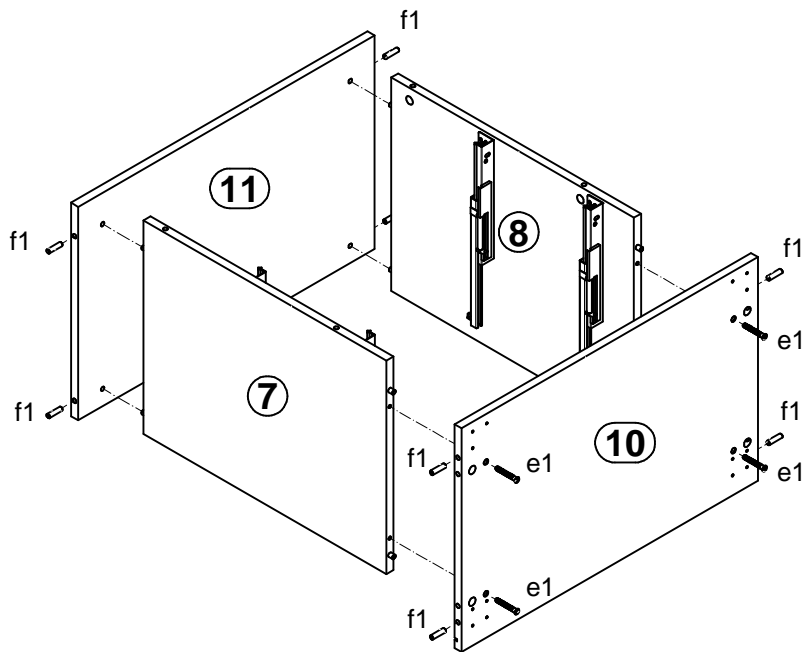
1  



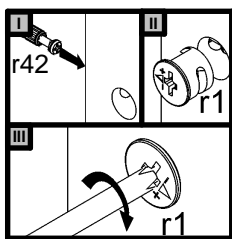
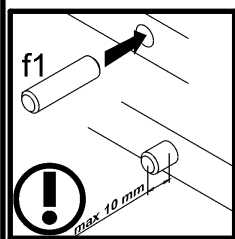
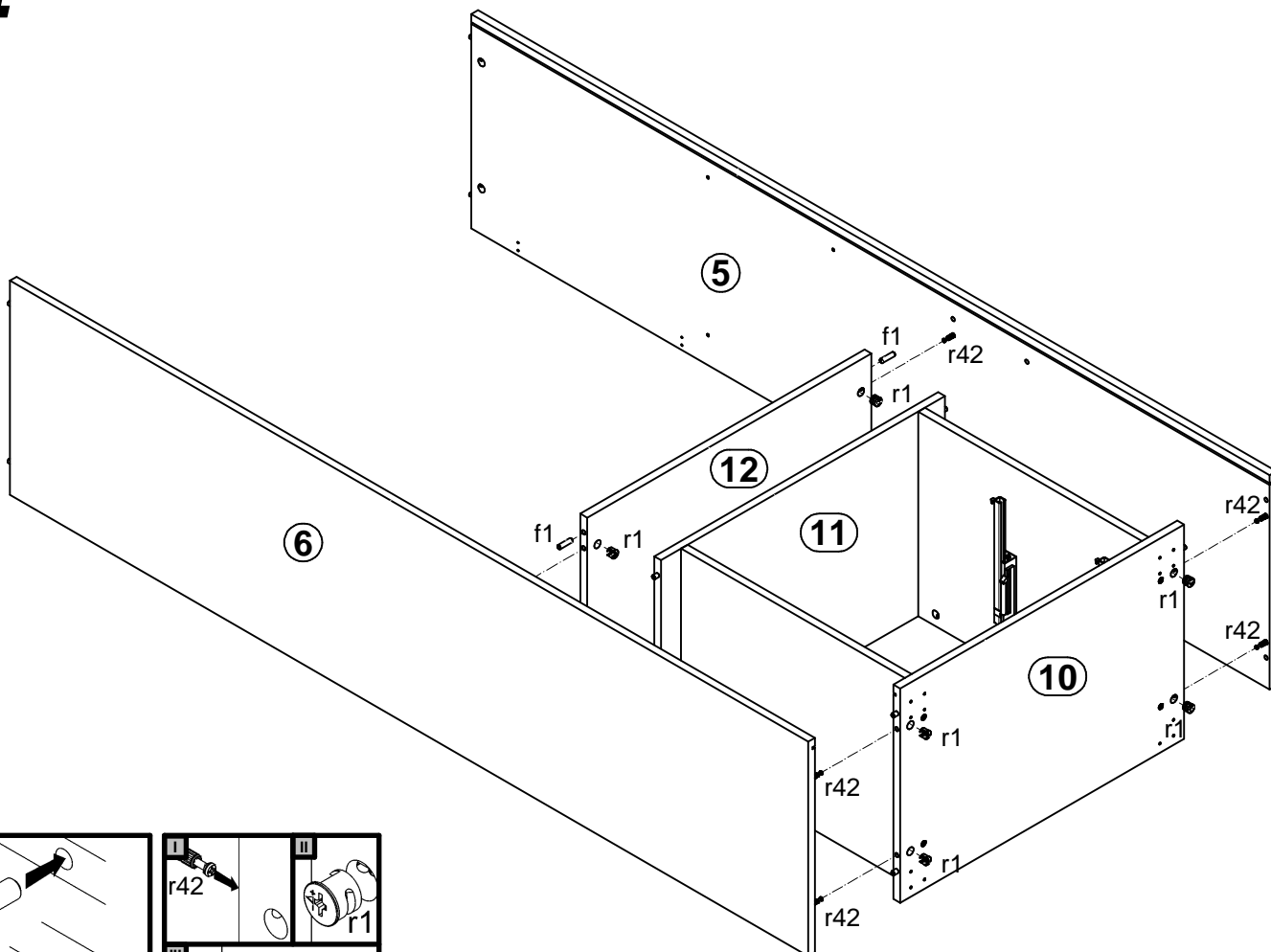
2



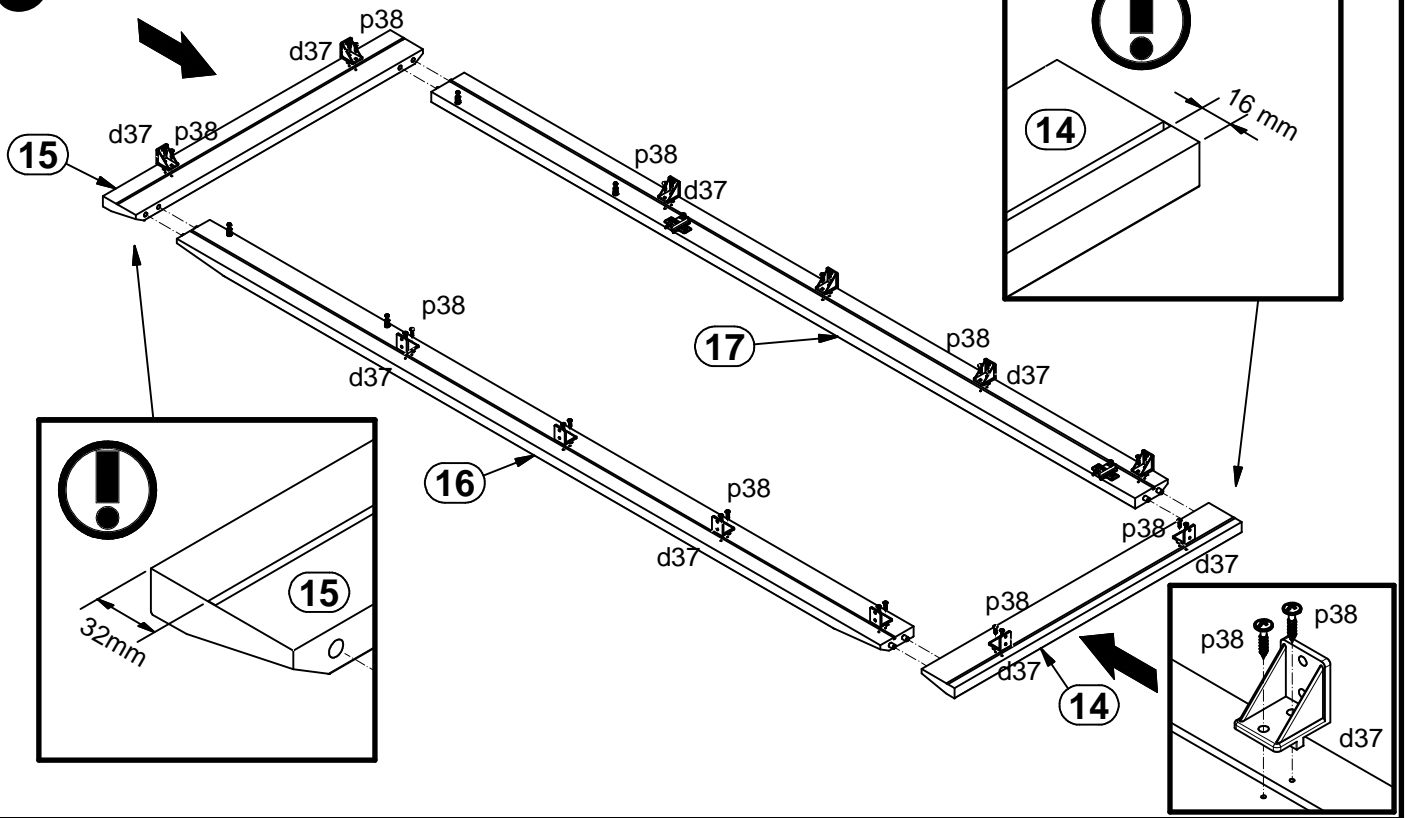
3



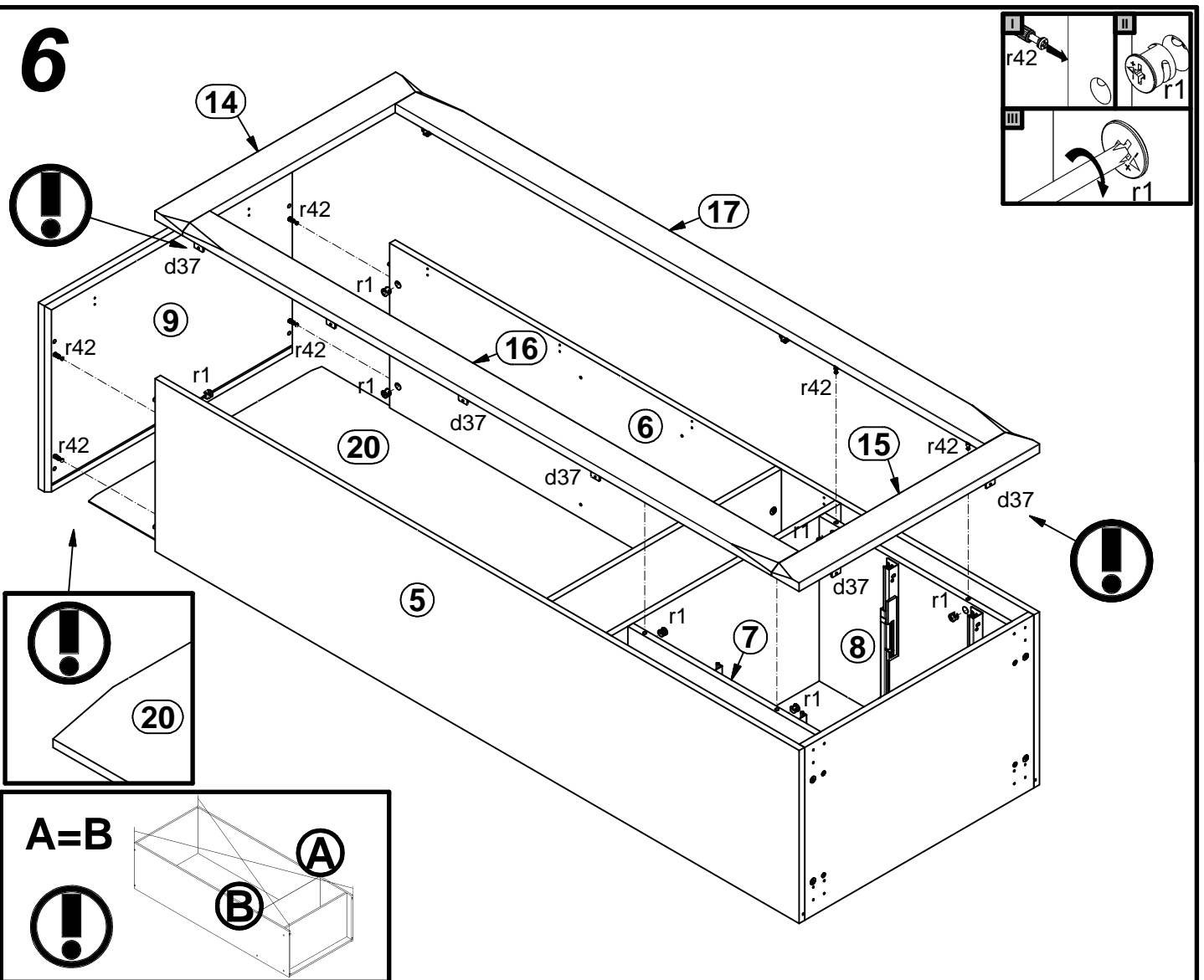
4

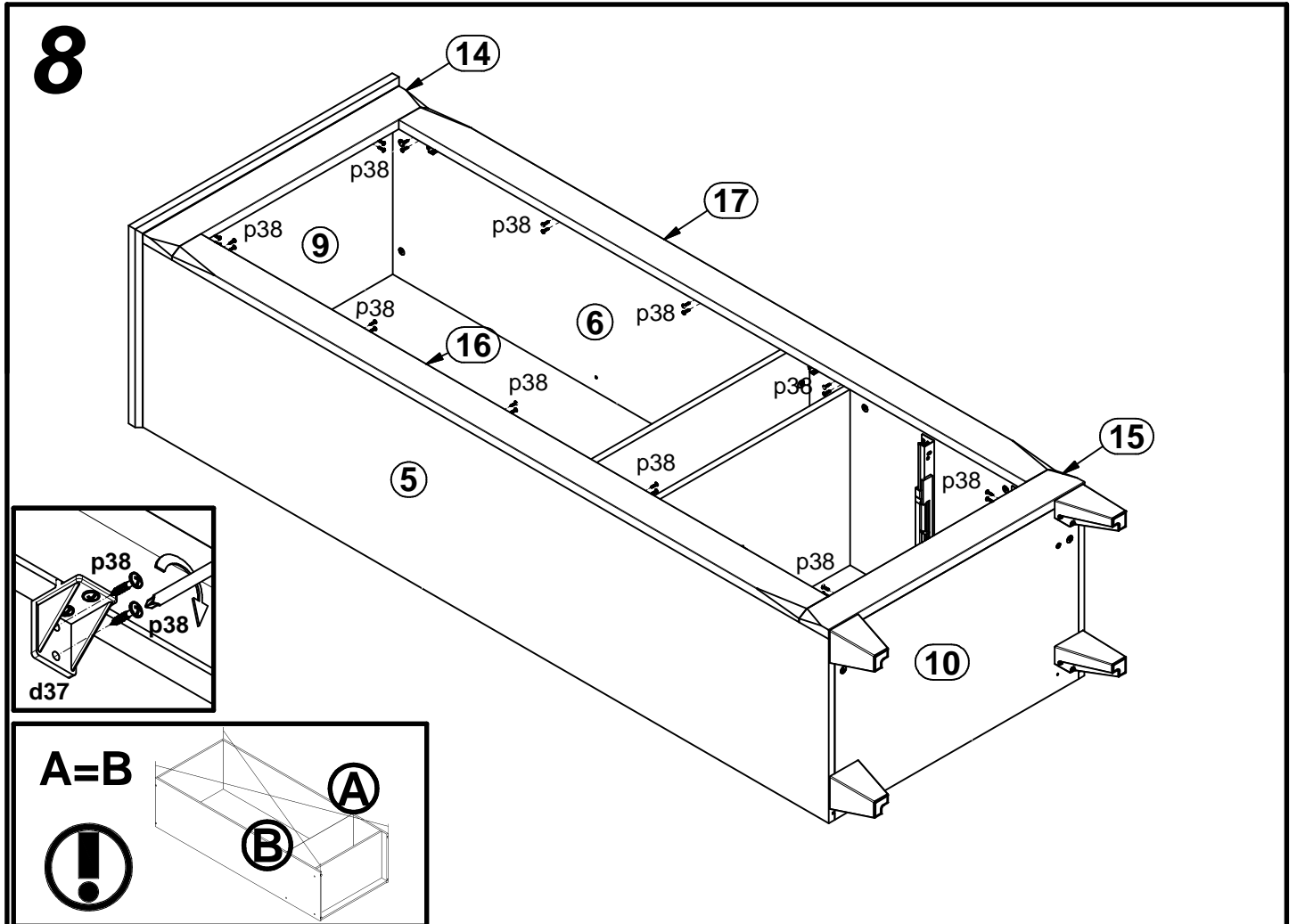
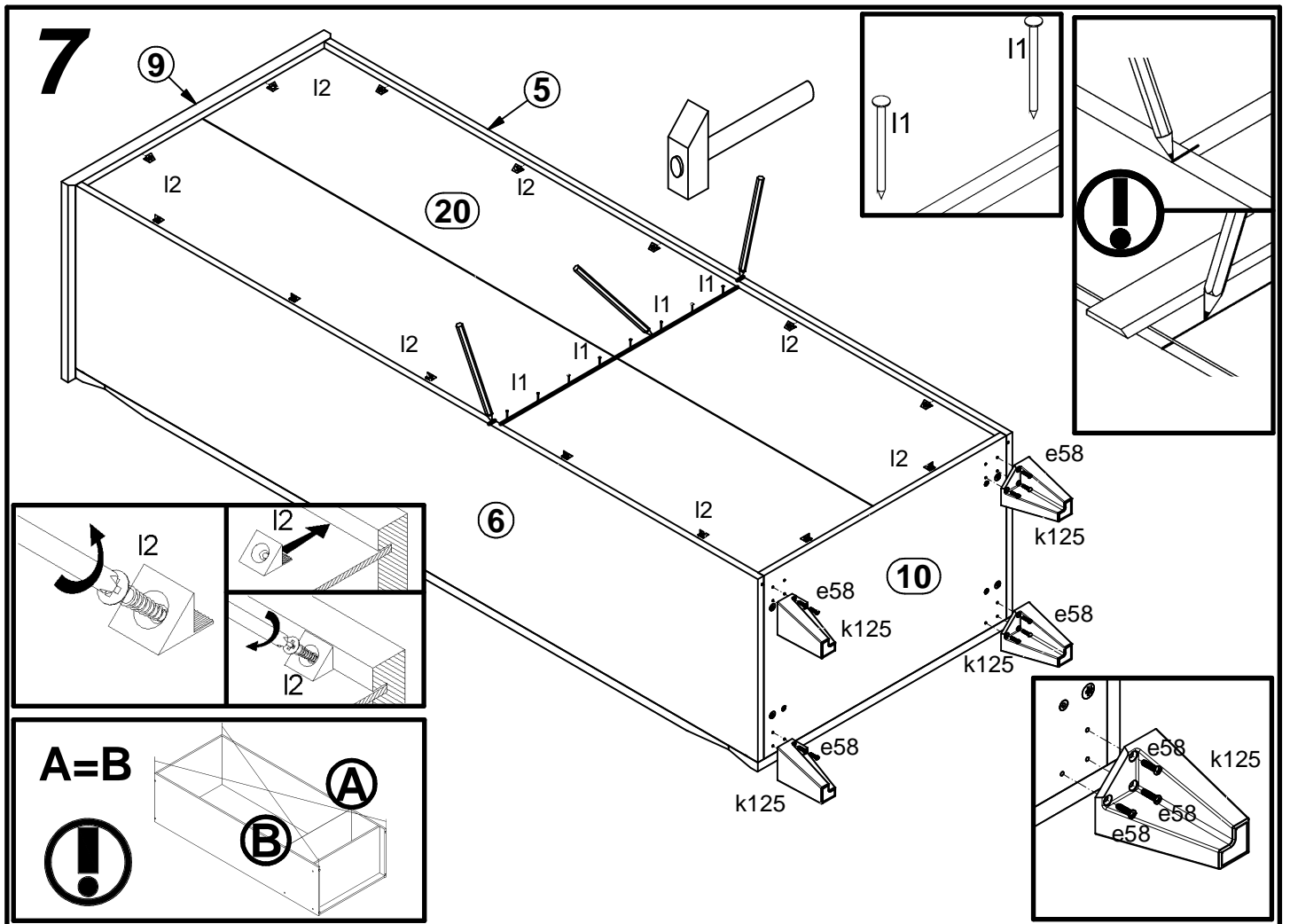


5

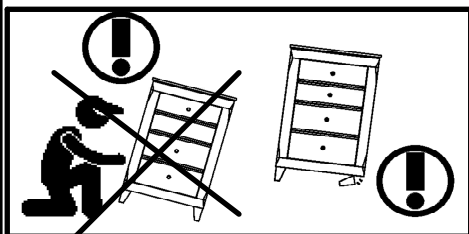
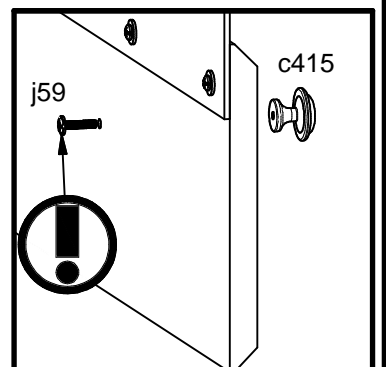
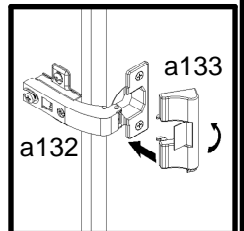
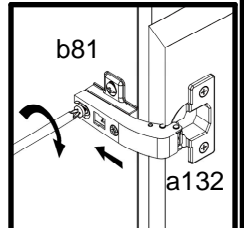
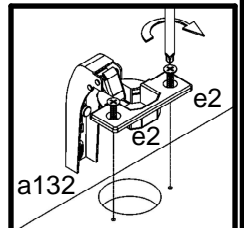
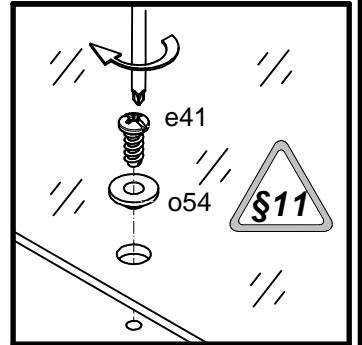
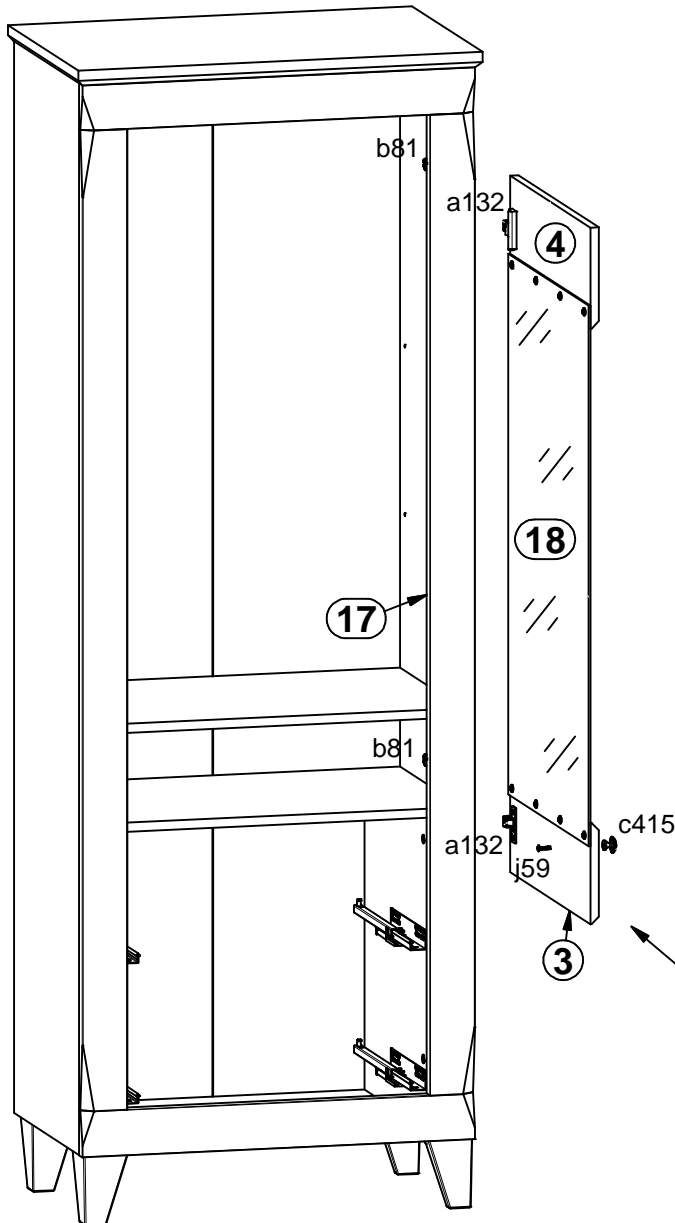
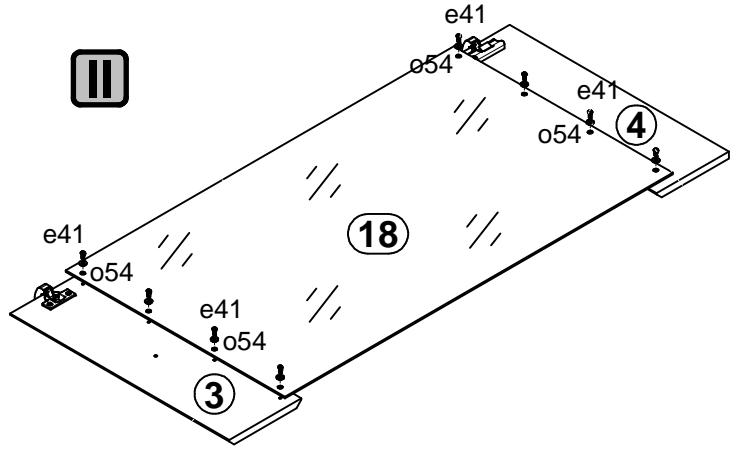
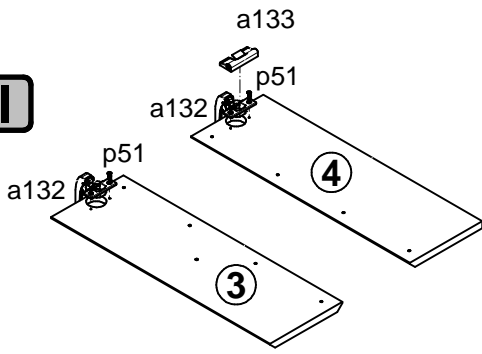


6





9



10

