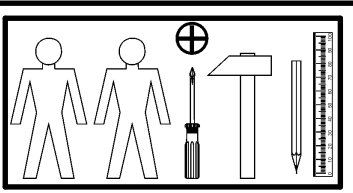
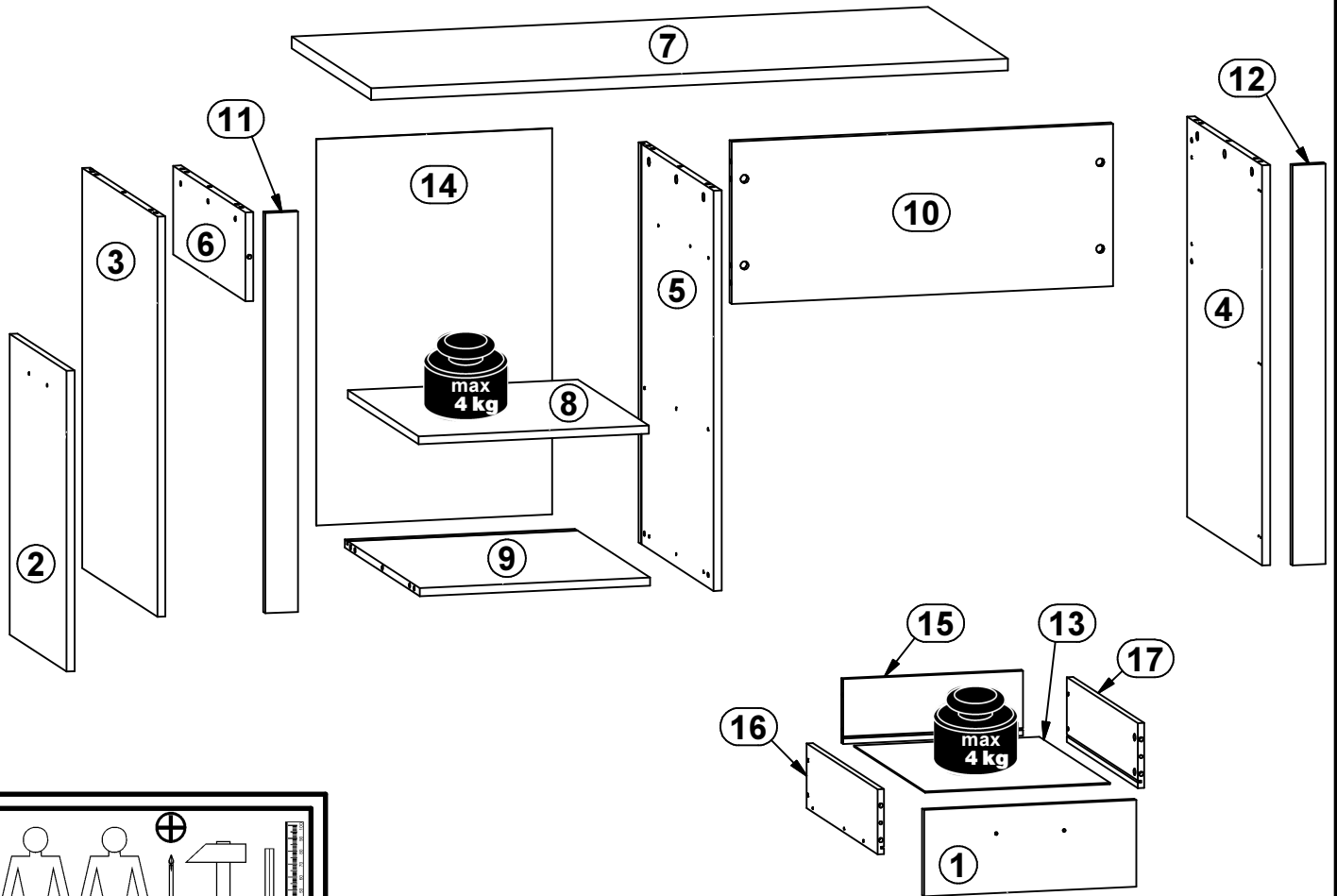
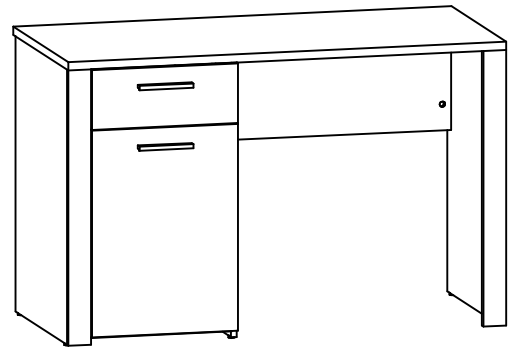
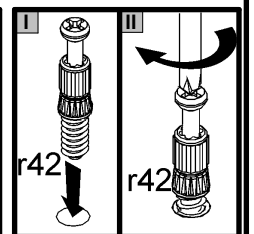
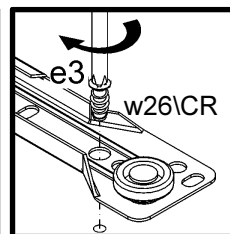
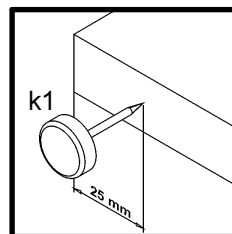
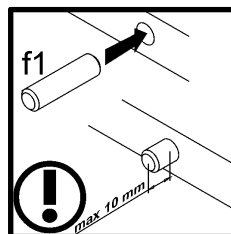
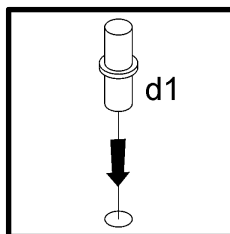
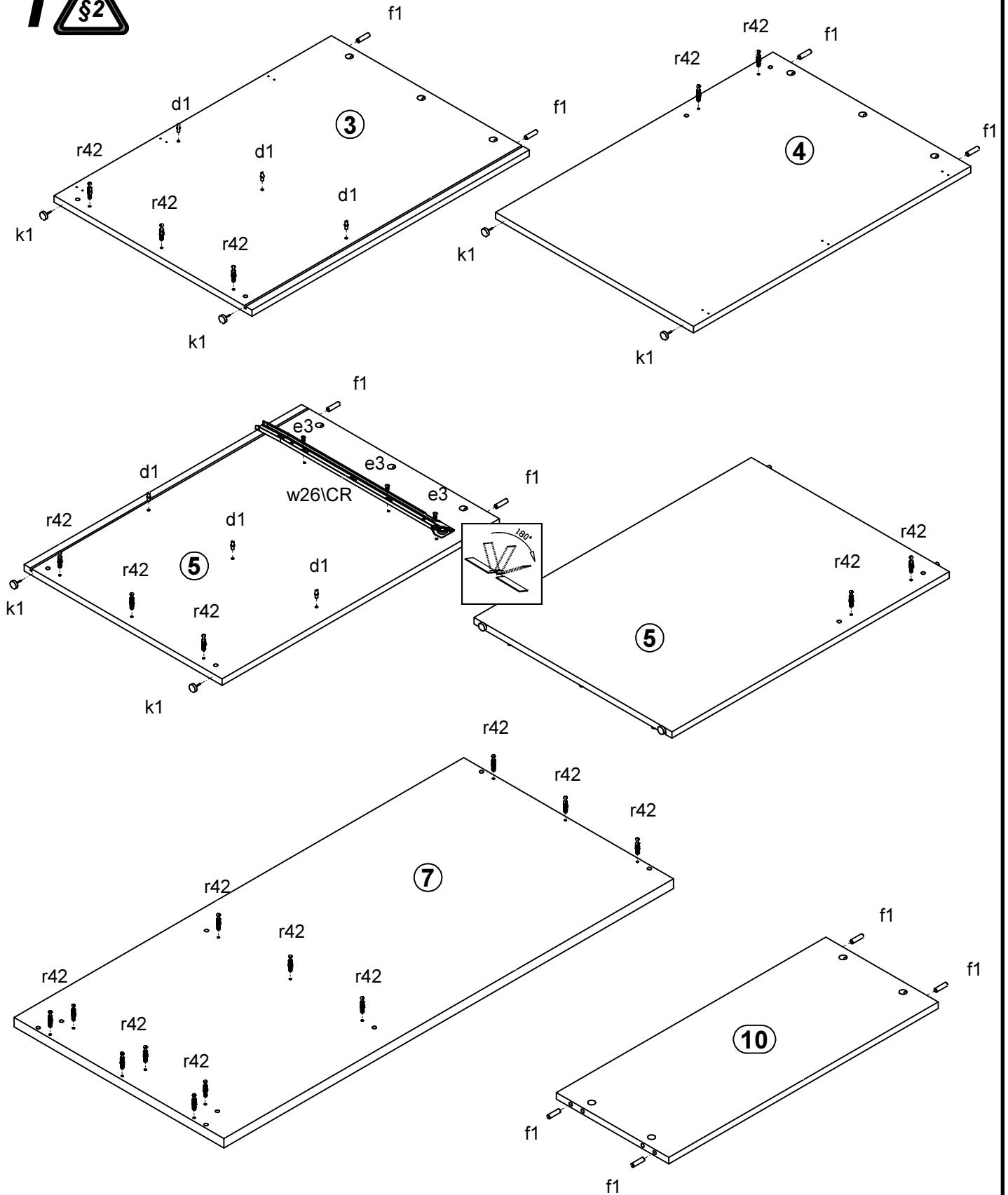


A	B	C	D	
1	S382-0008	160	400	3/3
2	S382-0009	556	400	3/3
3	S382-1015	740	528	1/3
4	S382-1016	740	528	1/3
5	S382-1017	740	528	1/3
6	S382-1018	164	508	1/3
7	S382-2005	1200	560	2/3
8	S382-3009	434	500	1/3
9	S382-3010	434	528	1/3
10	S382-4005	719	300	1/3
11	S382-5013	740	62	1/3
12	S382-5014	740	62	1/3
13	S382-9001	349	498	2/3
14	S382-9005	714	444	2/3
15	ZS4-5507	339	120	1/3
16	ZS6-505	500	120	1/3
17	ZS6-506	500	120	1/3

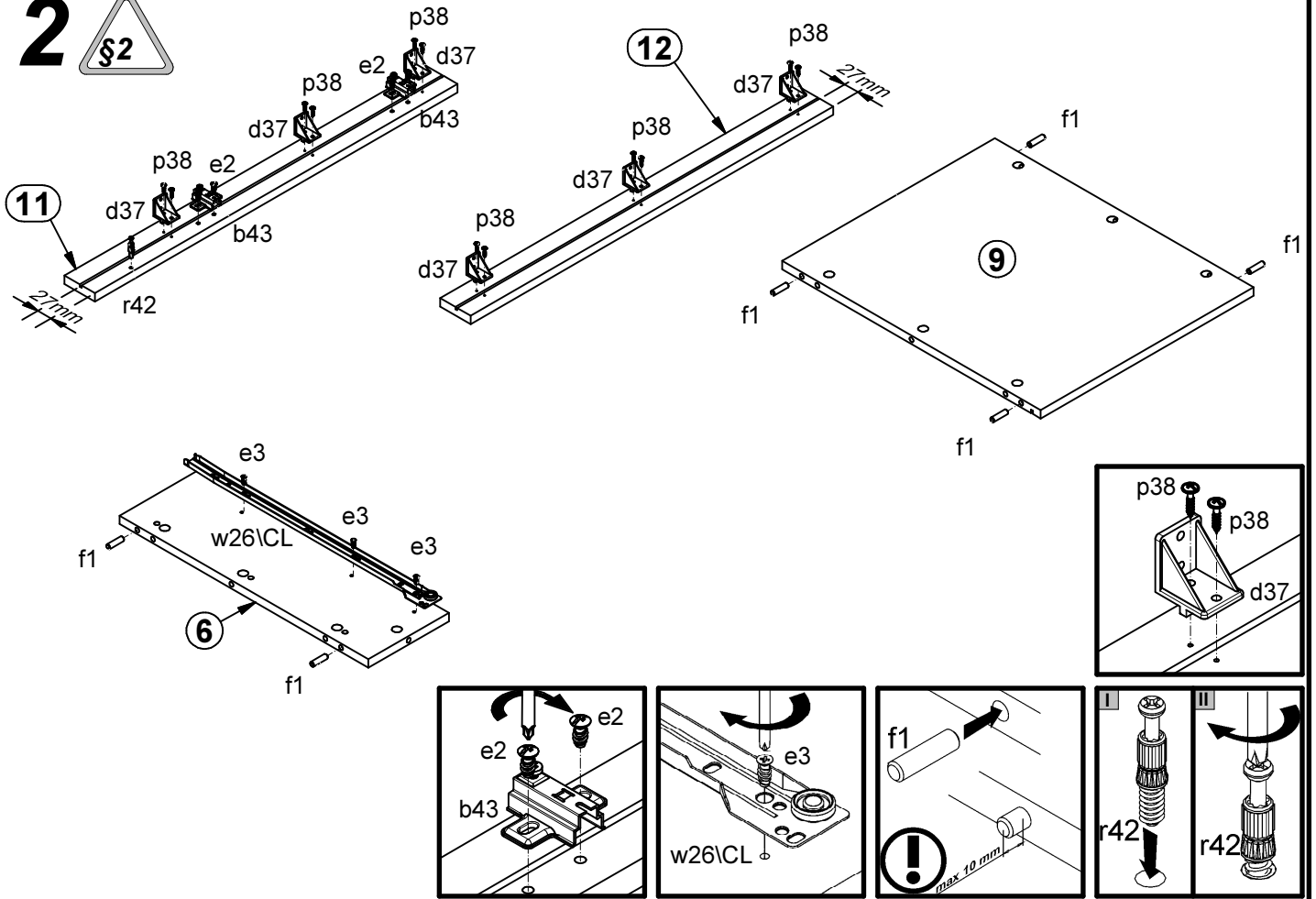


2x a132	2x b43	2x c328 128 mm	6x d1 Ø5x17 mm	6x d37	6x e19 Ø5x9 mm	4x e2 Ø6.3x13 mm	6x e3 Ø6x13 mm	16x f1 Ø8x30 mm
4x f25 Ø6.5x40 mm	2x f9 Ø6x30 mm	6x k1	5x l2	24x p38 Ø3.5x16 mm	4x p51 Ø3.5x15 mm	4x p60 Ø4x22 mm	23x r1 Ø15x12 mm #16	4x r15 Ø12x10.5 mm #12
27x r42 20/11	1x w26\CL 500 mm	1x w26\CR 500 mm	1x w26\DL 500 mm	1x w26\DR 500 mm	7x s2 Ø16			

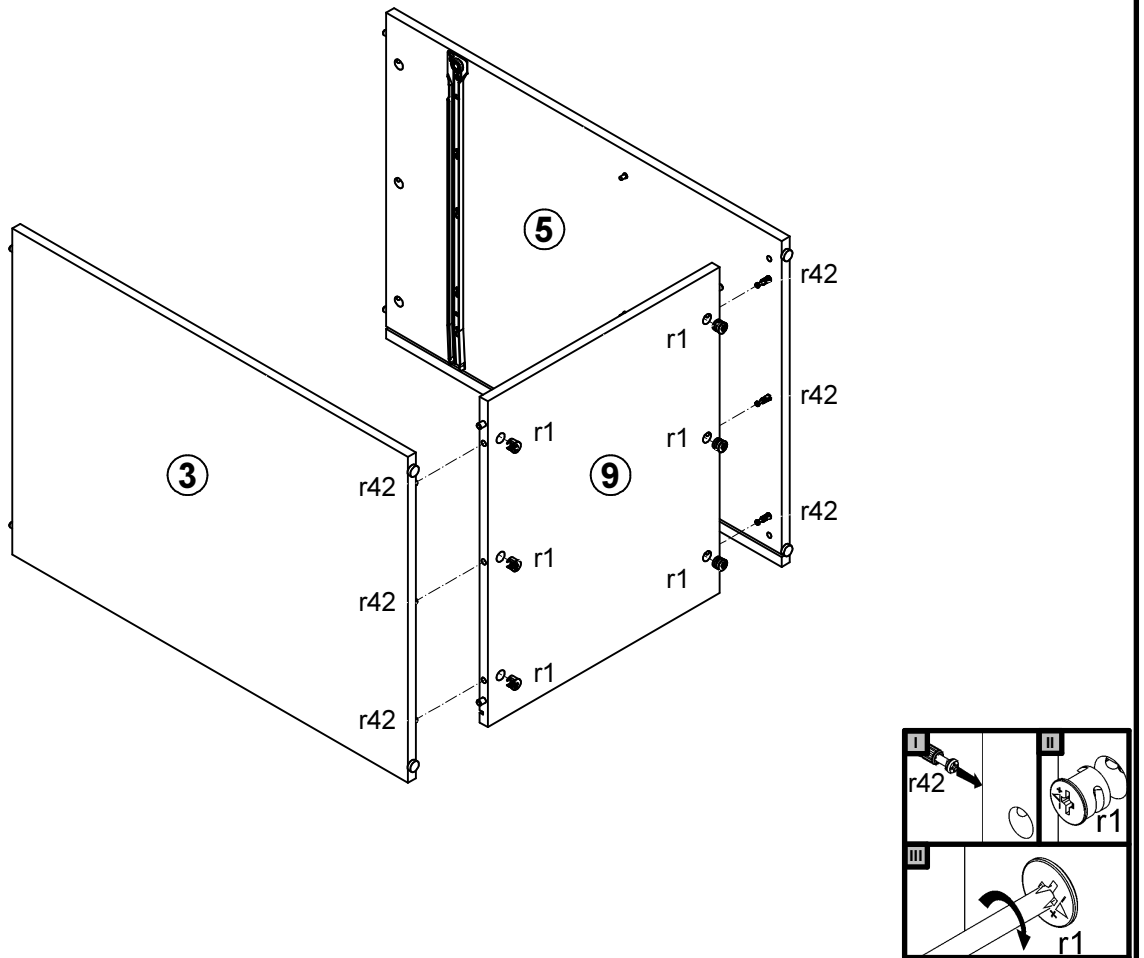
1 

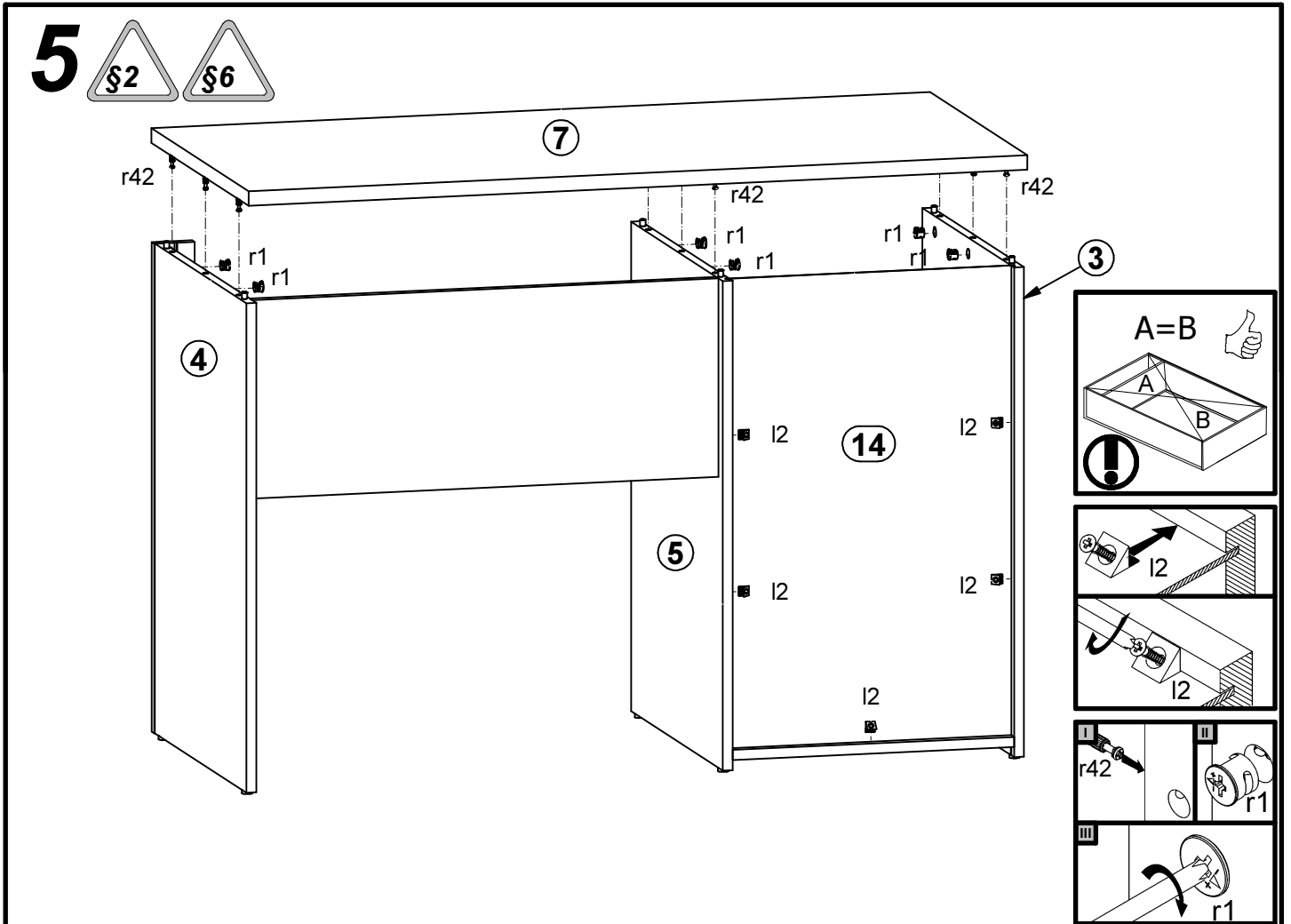
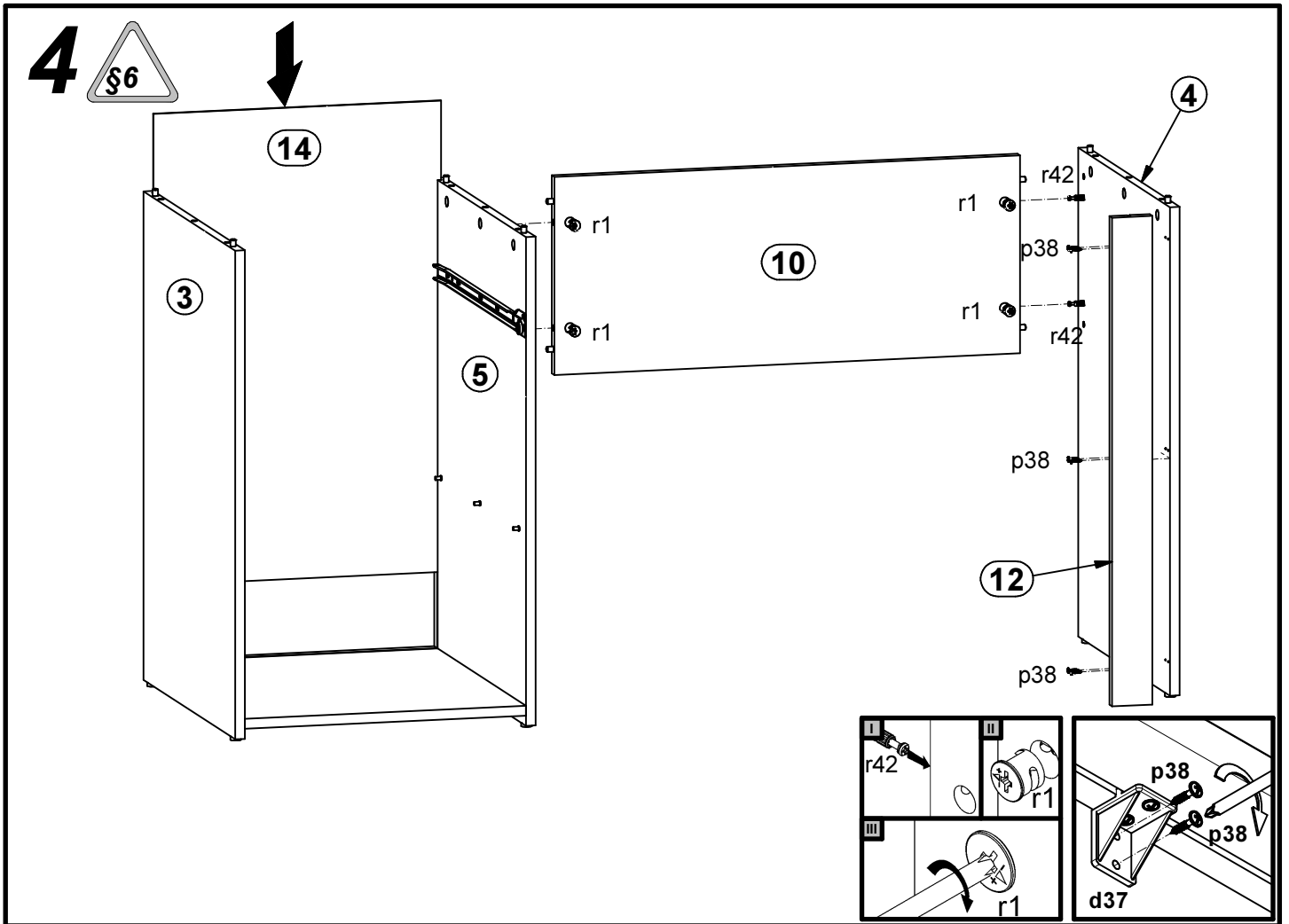


2

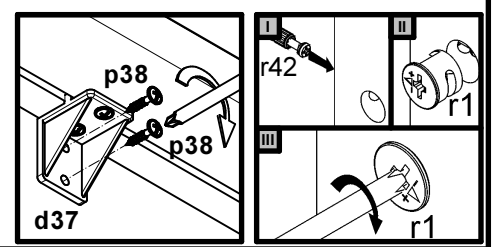
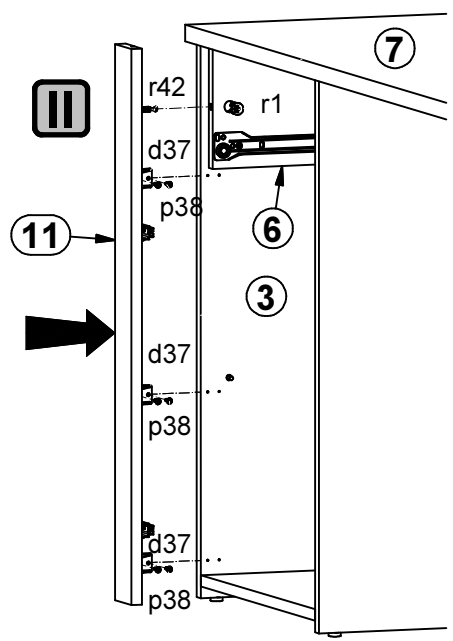
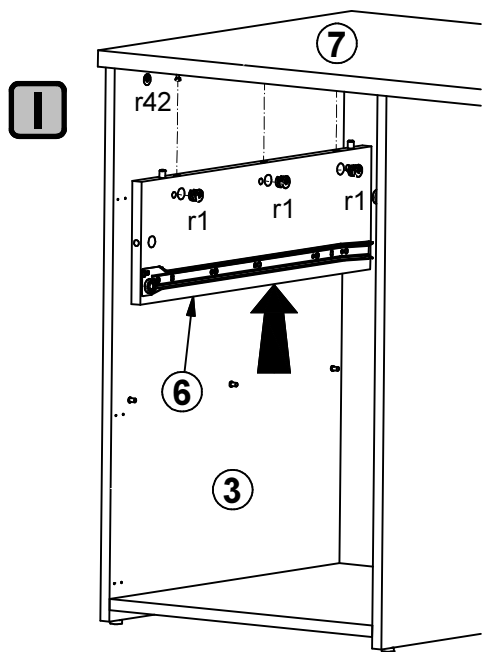


3

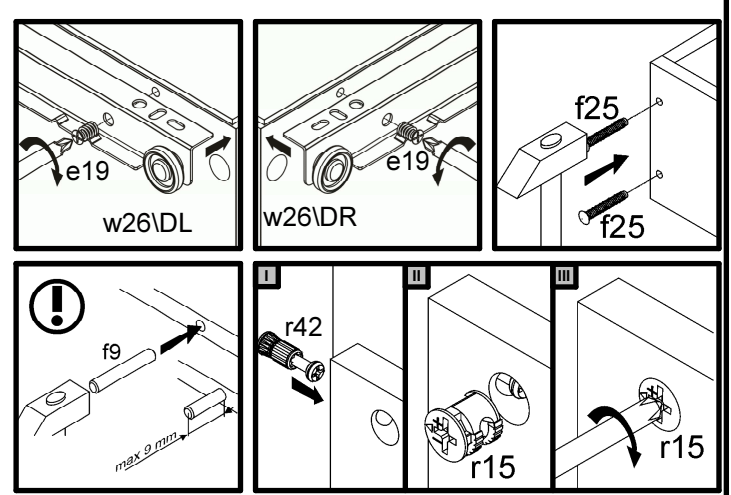
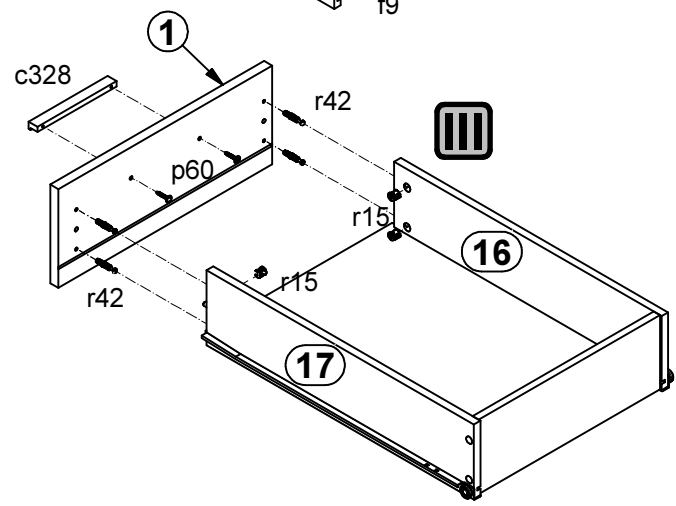
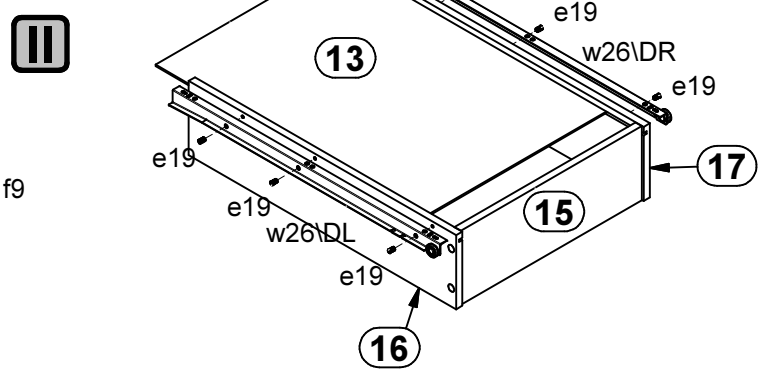
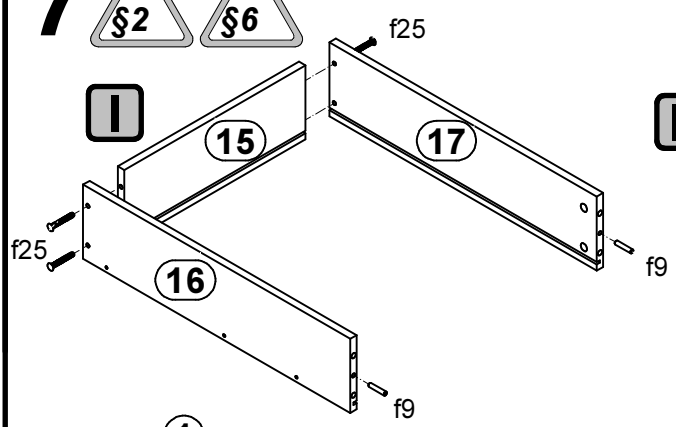




6



7



8

