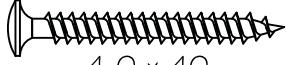
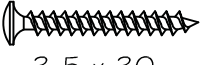
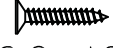


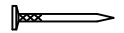

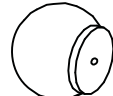
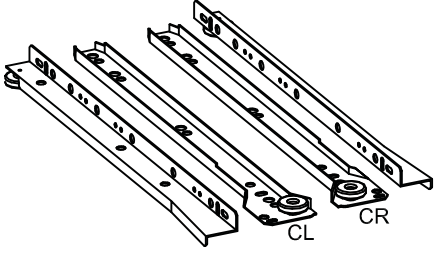

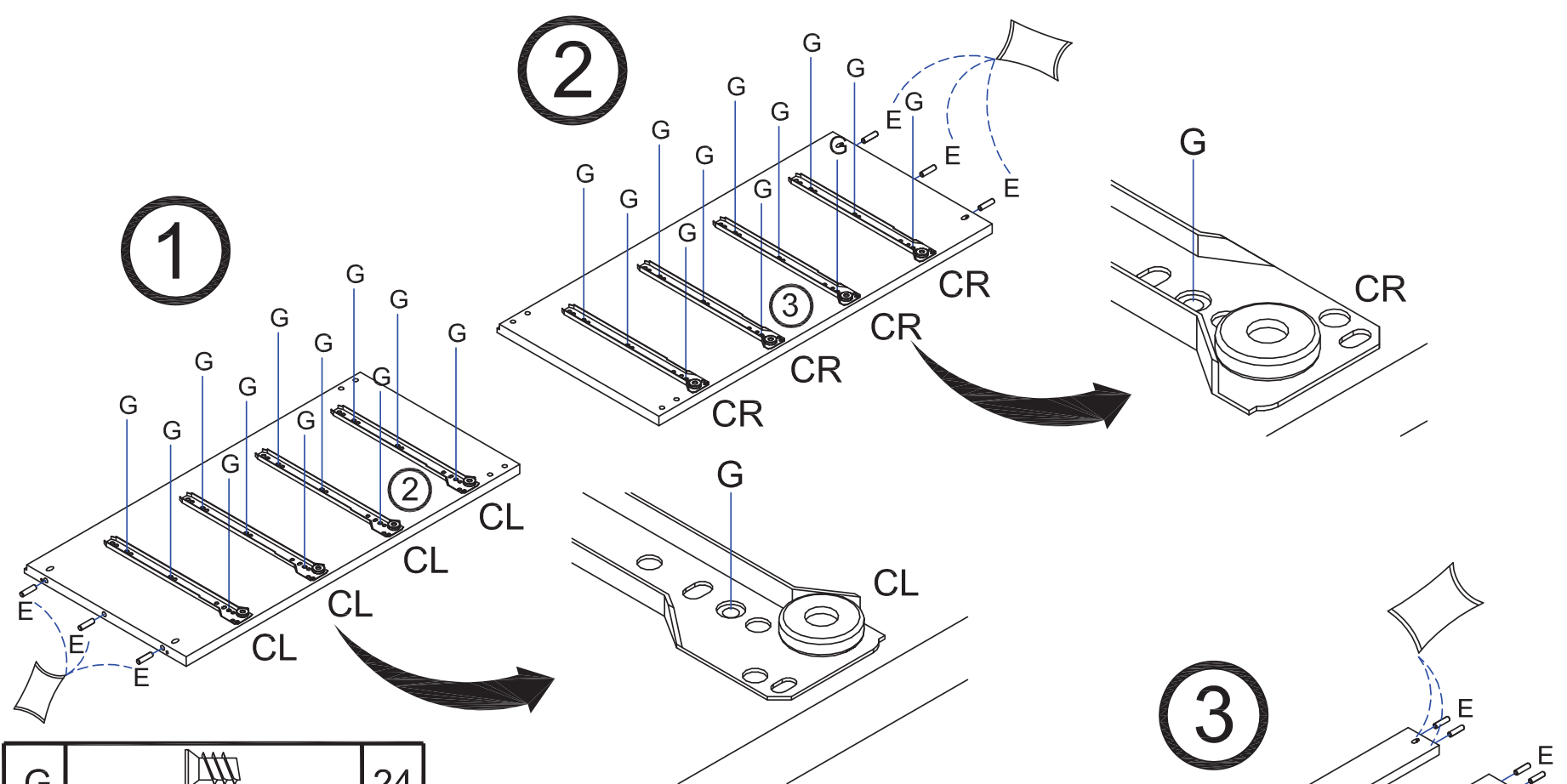


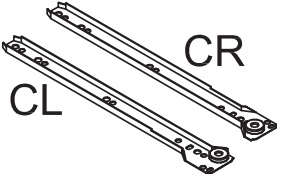
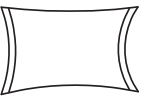
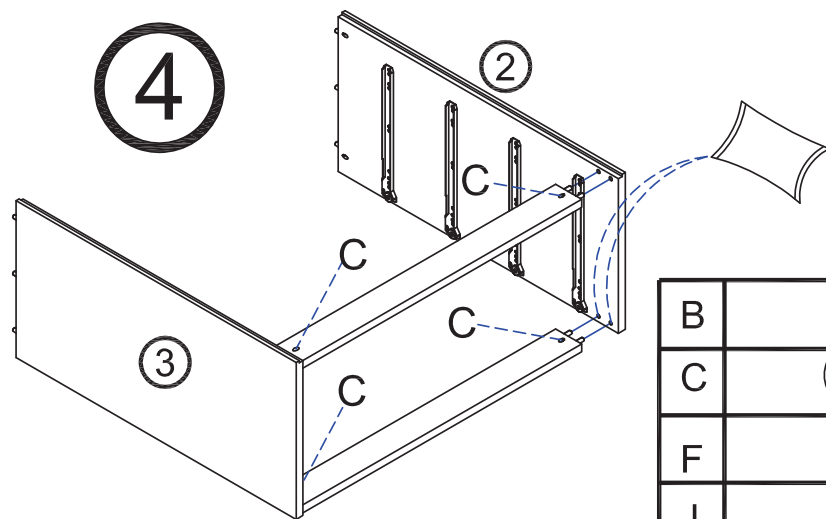







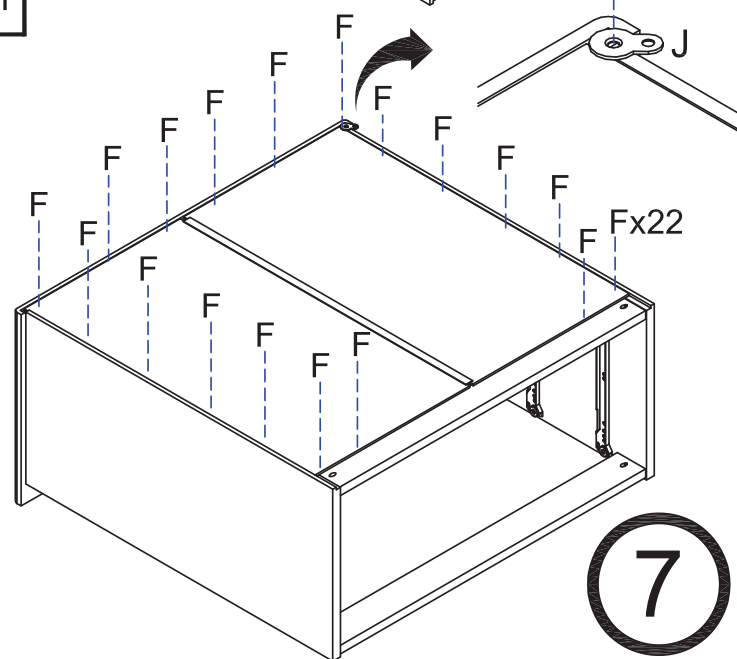
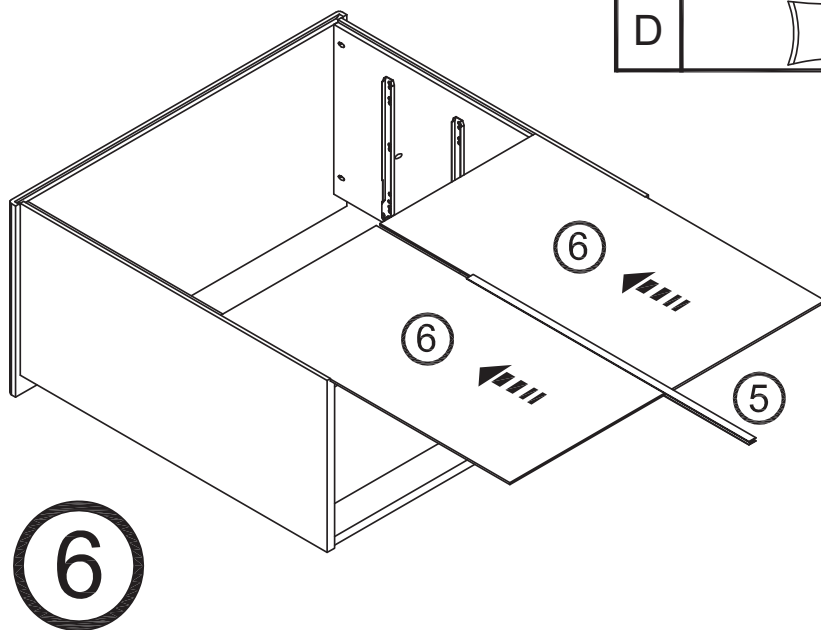
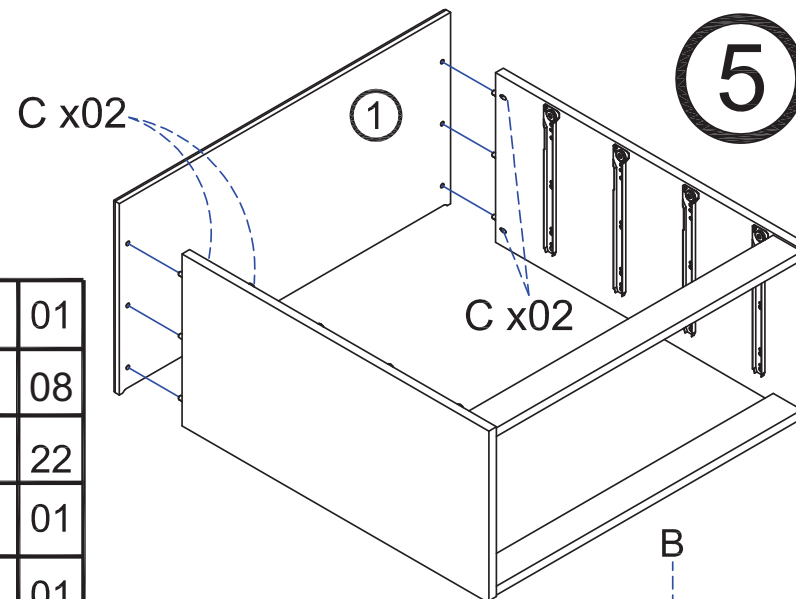
A	 4,0 x 40	08	C	 3,5 x 30	40
B	 3,0 x 12	25	D		01
			E	 8,0 x 30	30
			F	 8,0 x 8,0	22
			G	 6,0 x 10	24
			H		08
			I		04
			J		01

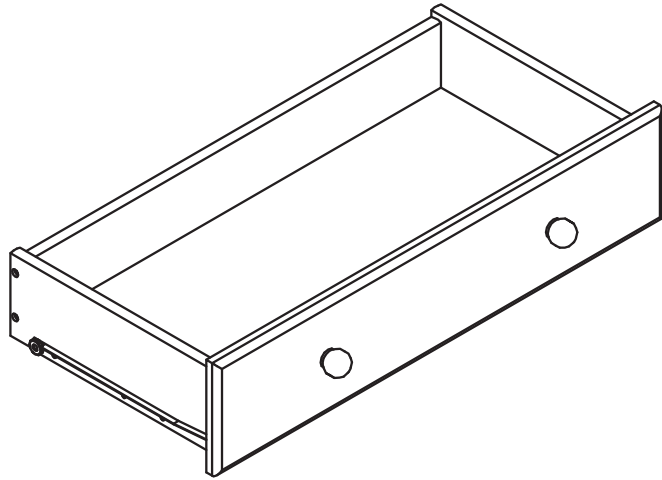





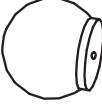

G	 6,0 x 10	24			
E	 8,0 x 30	14			
I	 CL CR	04	D		01

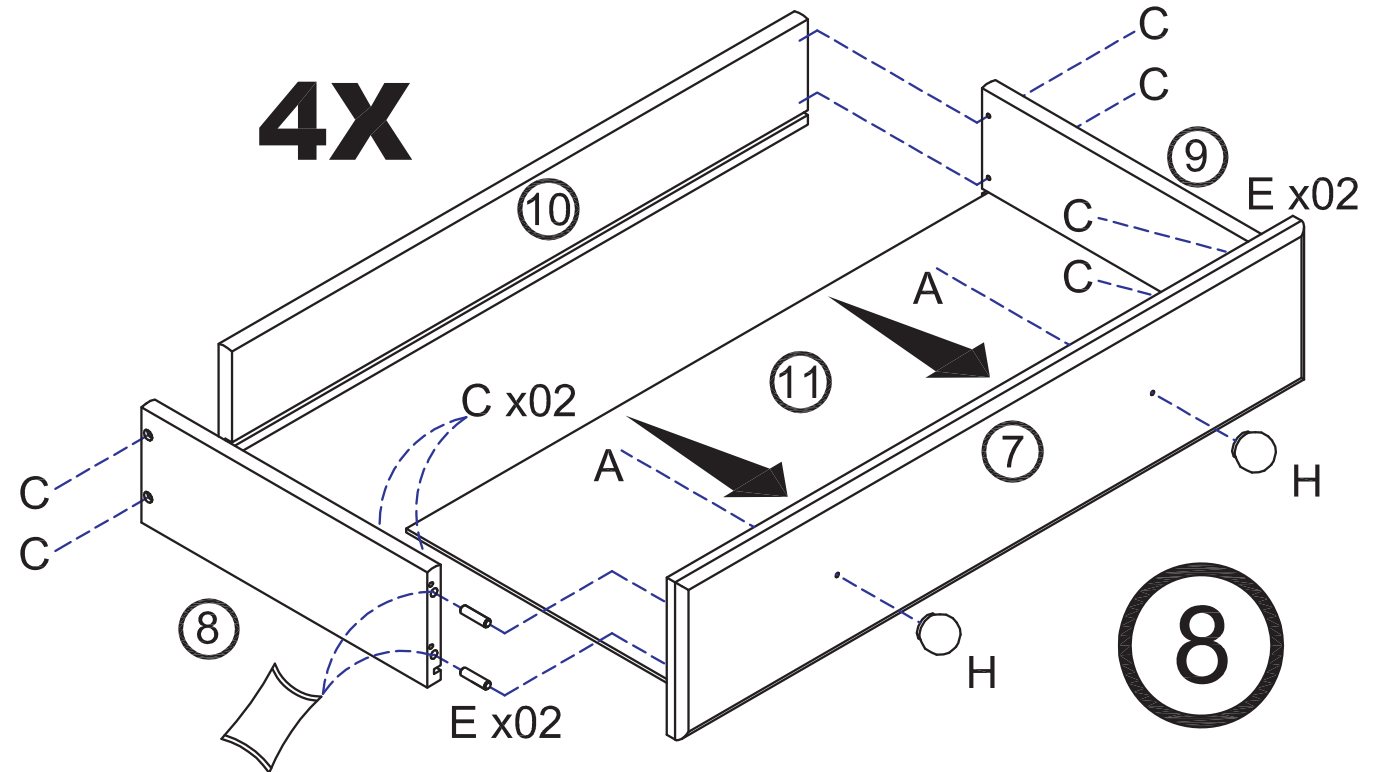
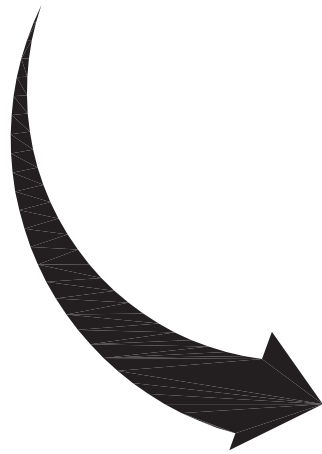


B	 3,0 x 12	01
C	 3,5 x 30	08
F	 8,0 x 8,0	22
J		01
D		01

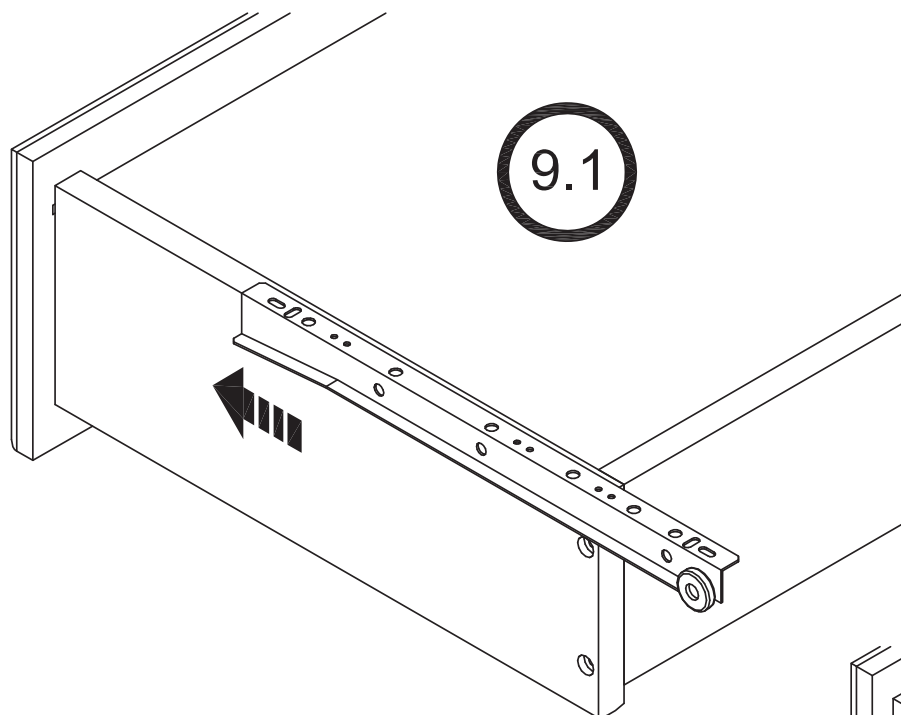




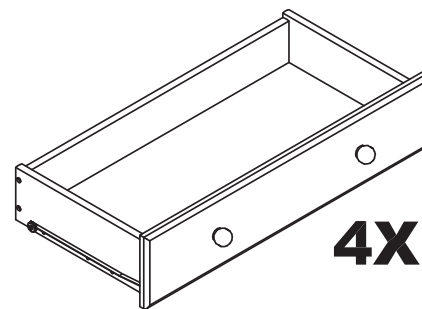
A	 4,0 x 40	08
C	 3,5 x 30	32
E	 8,0 x 30	16
H		08
K		01




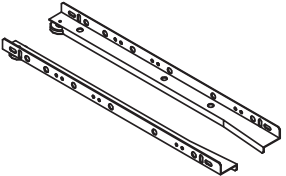
9

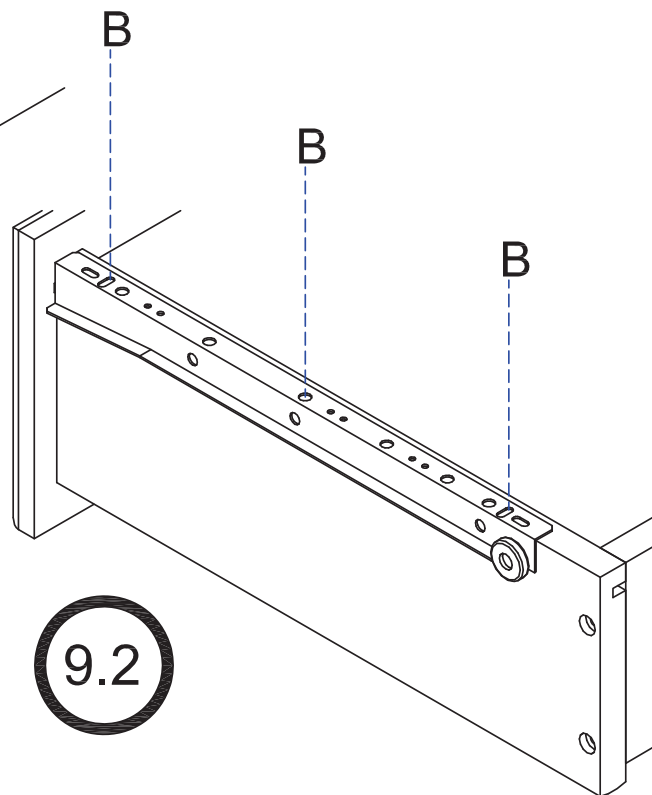


9.1



4X

B	 3,0 x 12	24
I		04



9.2

